



US00D485598S

(12) **United States Design Patent**
Wanser

(10) **Patent No.:** **US D485,598 S**

(45) **Date of Patent:** **** Jan. 20, 2004**

(54) **CONICAL BIRD DISCOURAGER**

(75) Inventor: **Russ L. Wanser**, Jupiter, FL (US)

(73) Assignee: **Dura-Weld, Inc.**, Jupiter, FL (US)

(**) Term: **14 Years**

(21) Appl. No.: **29/179,240**

(22) Filed: **Apr. 7, 2003**

(51) **LOC (7) Cl.** **22-06**

(52) **U.S. Cl.** **D22/119**

(58) **Field of Search** D22/119-125;
D30/119, 199; D25/38; 52/101; 119/903,
713, 57.8

(56) **References Cited**

U.S. PATENT DOCUMENTS

4,962,619	A	*	10/1990	Chatten	52/101
D357,771	S	*	4/1995	TownsendI et al.	D30/199
D359,099	S	*	6/1995	Sugimoto	D22/119
6,250,023	B1	*	6/2001	Donoho	52/101
6,418,674	B1	*	7/2002	Deraedt	52/101
D465,287	S	*	11/2002	Wanser et al.	D25/38

* cited by examiner

Primary Examiner—Catherine R. Oliver
(74) *Attorney, Agent, or Firm*—McHale & Slavin, P.A.

(57) **CLAIM**

The ornamental design for a conical bird discourager, as shown and described.

DESCRIPTION

FIG. 1 is a right side view of the conical bird discourager of the invention;

FIG. 2 is a front elevational view of the conical bird discourager of FIG. 1, the rear elevational view being a mirror image thereof;

FIG. 3 is a left side view of the conical bird discourager of FIG. 1;

FIG. 4 is a top plan view of the conical bird discourager of FIG. 1;

FIG. 5 is a bottom plan view of the conical bird discourager of FIG. 1; and,

FIG. 6 is perspective view thereof.

1 Claim, 3 Drawing Sheets

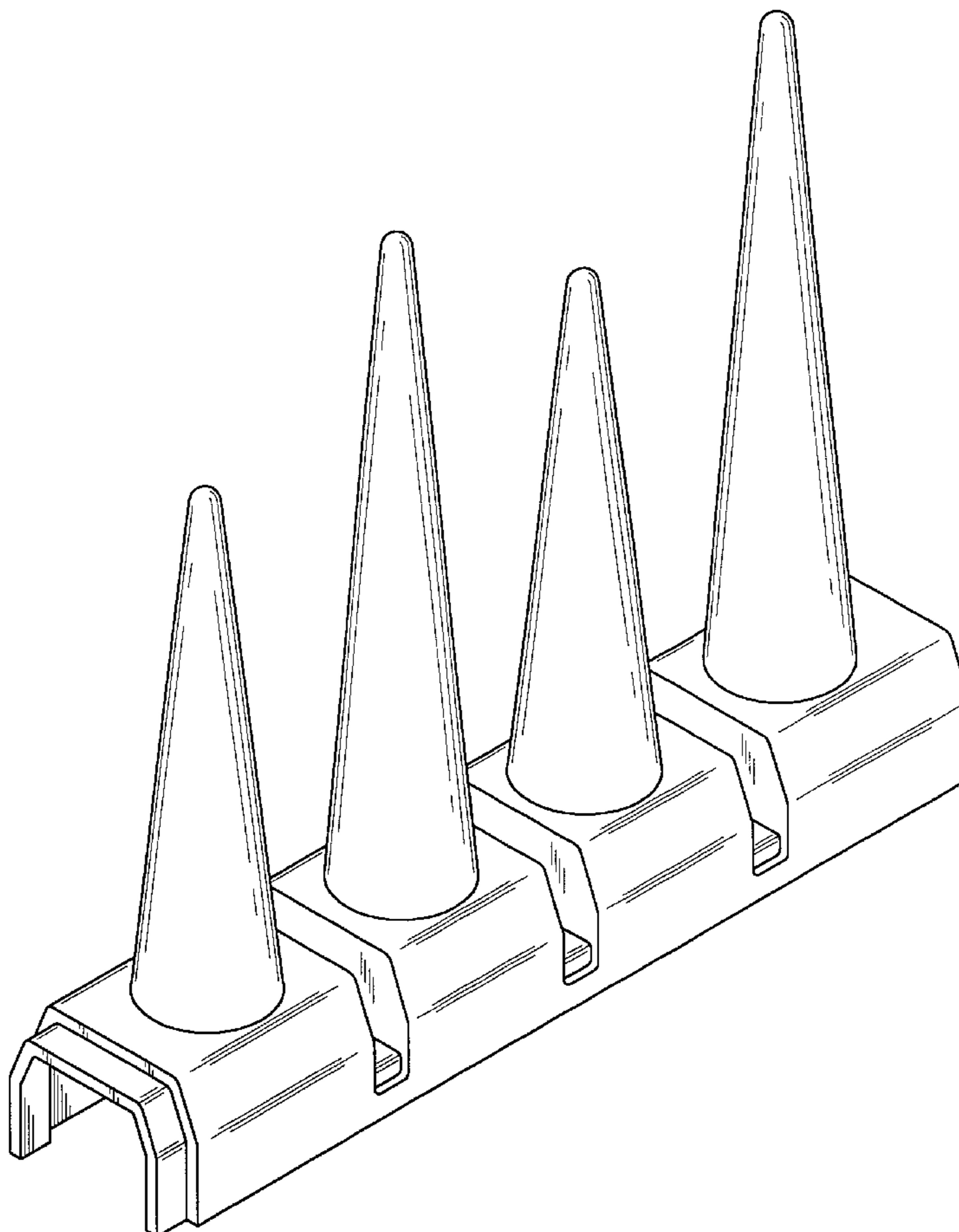


FIG. 1

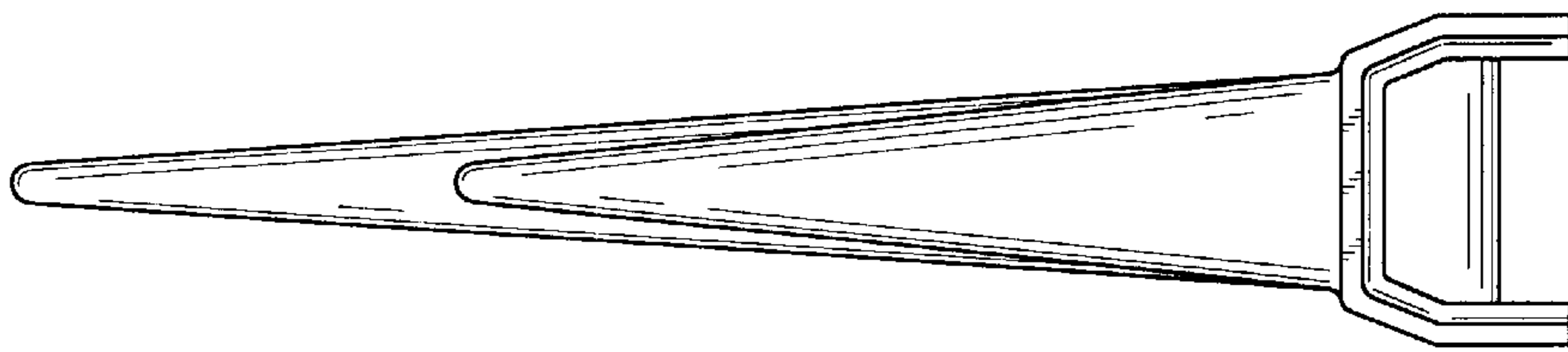


FIG. 2

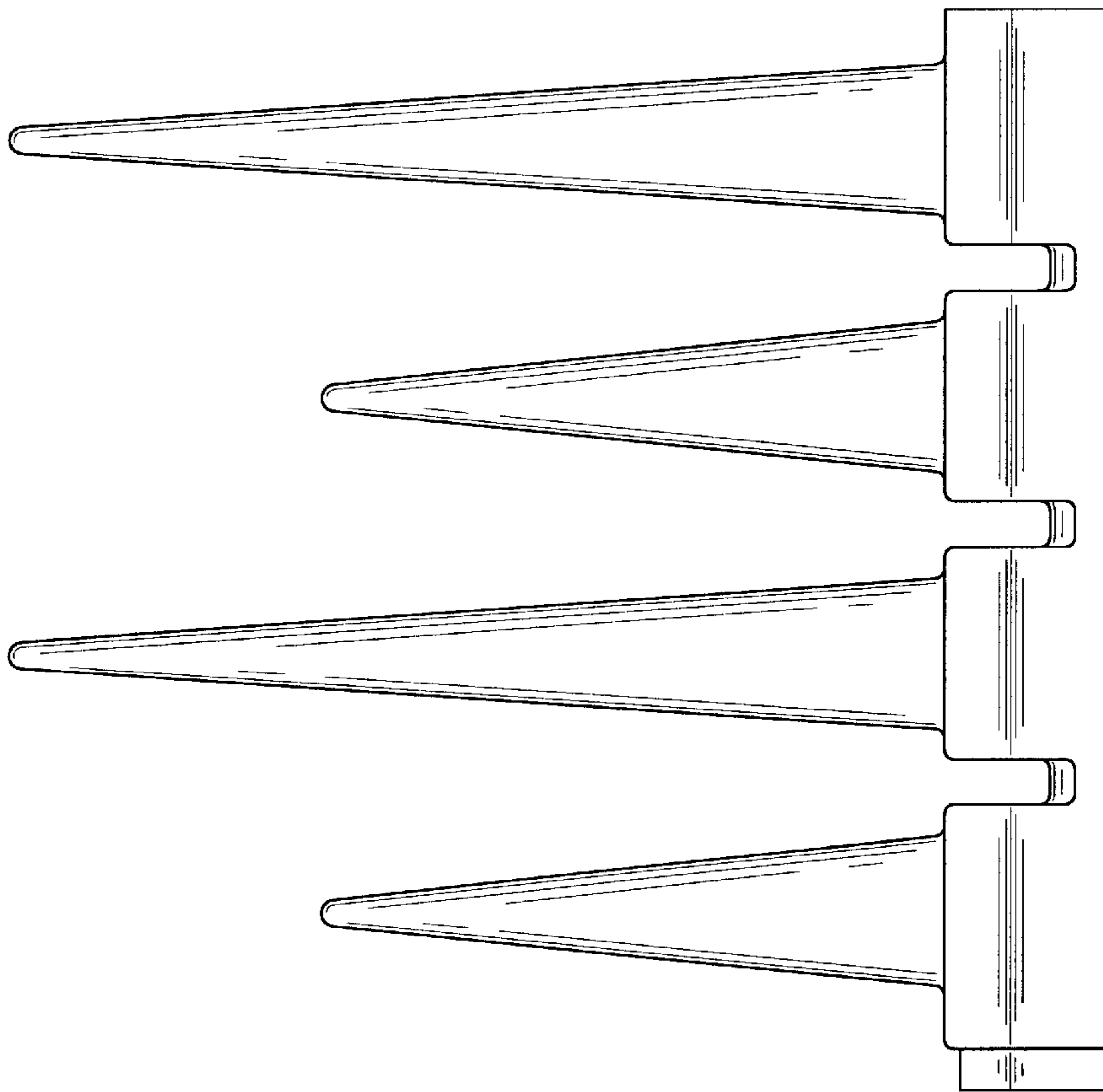


FIG. 3

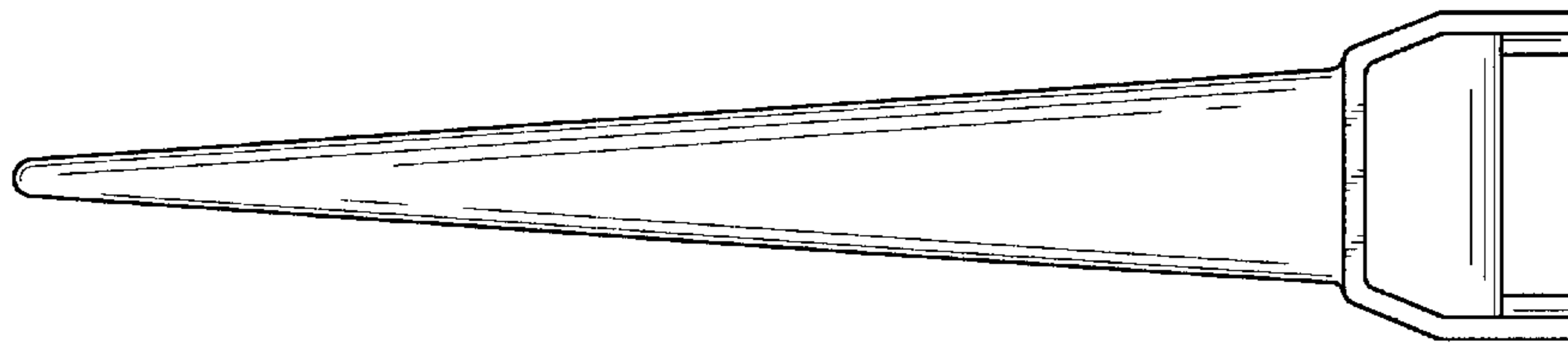


FIG. 4

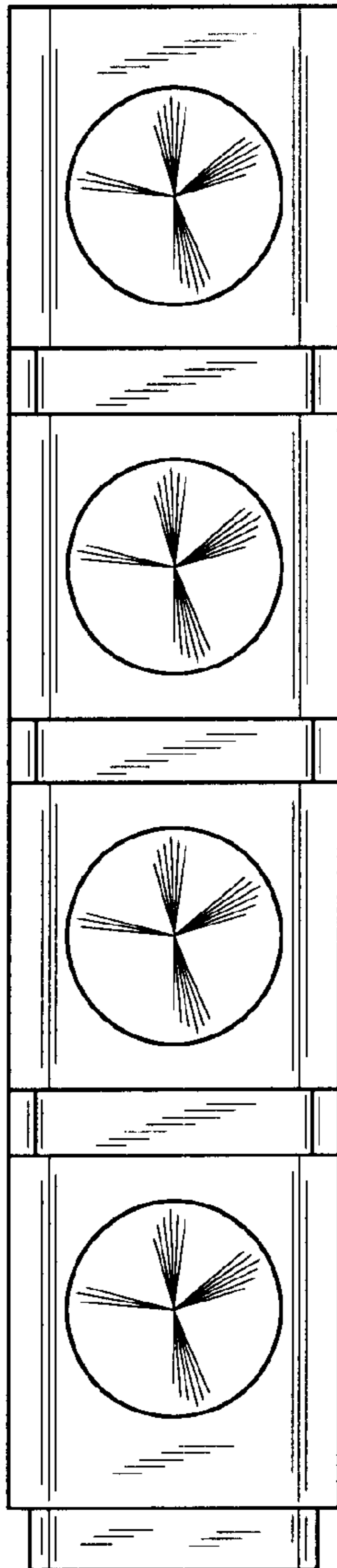
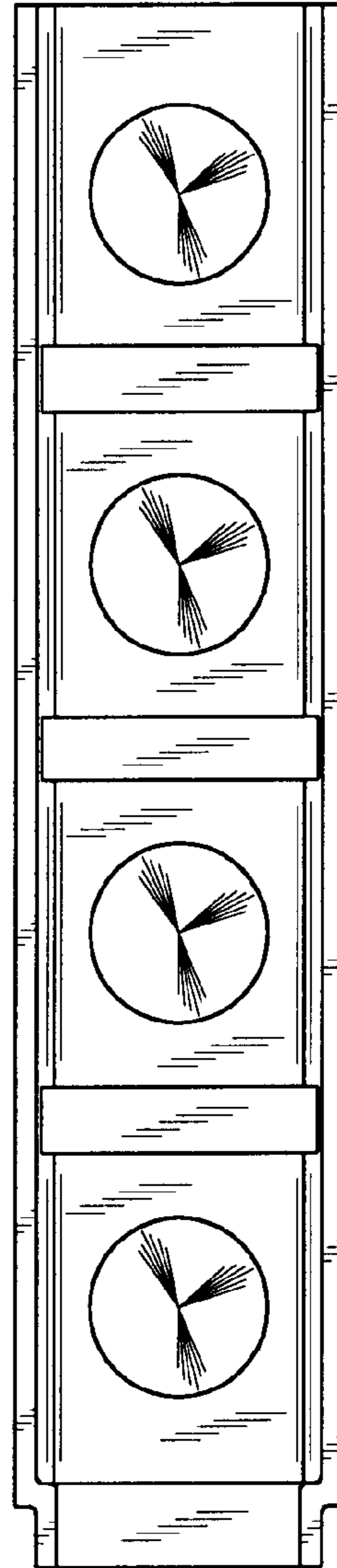


FIG. 5



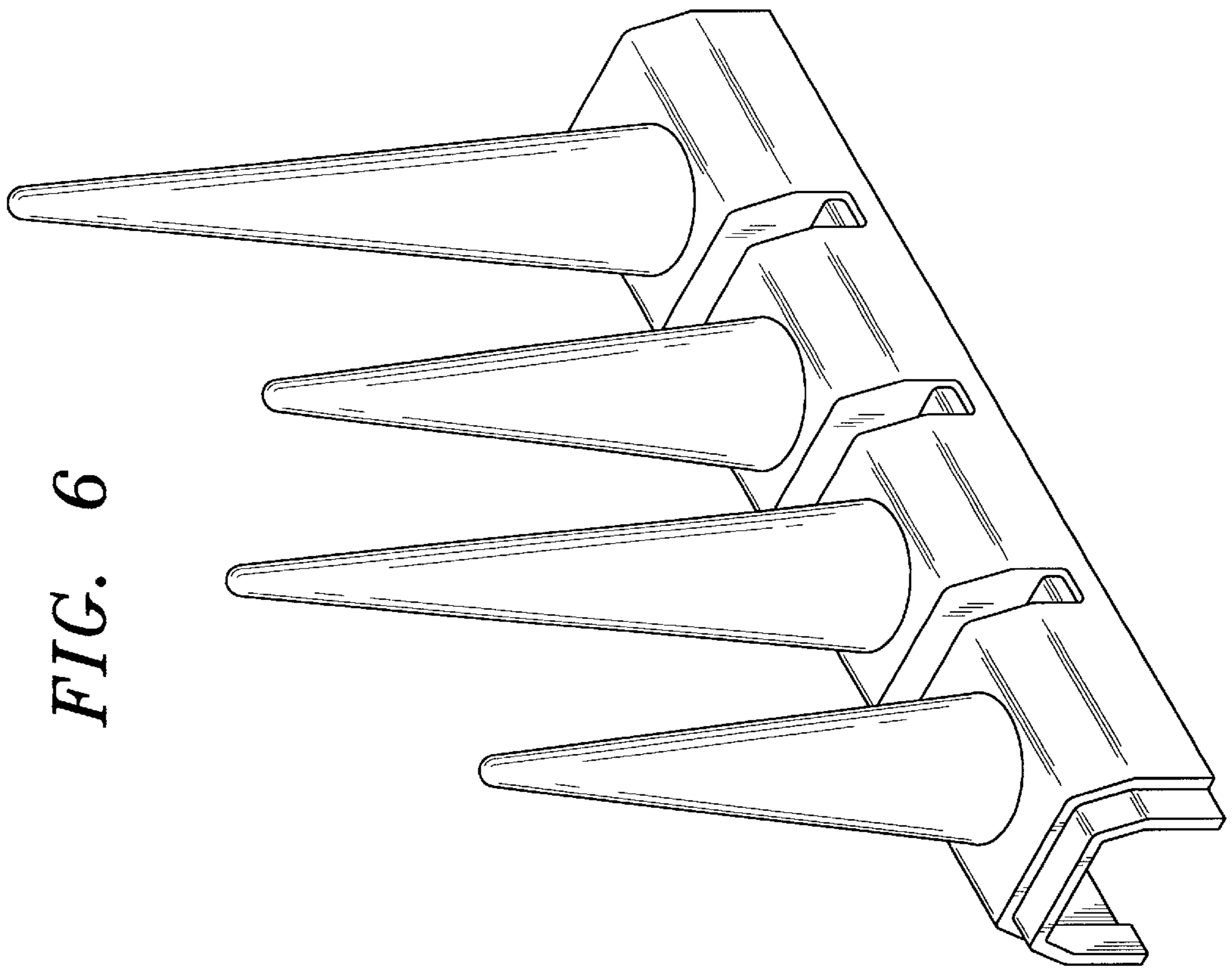


FIG. 6