



US00D485597S

(12) **United States Design Patent**
Turner

(10) **Patent No.:** **US D485,597 S**

(45) **Date of Patent:** **** Jan. 20, 2004**

(54) **RODENT BAIT STATION**

(75) Inventor: **Iain Frederick Turner**, Lymm (GB)

(73) Assignee: **Network Pest Control Systems Limited**, Warrington (GB)

(**) Term: **14 Years**

(21) Appl. No.: **29/171,383**

(22) Filed: **Nov. 21, 2002**

(30) **Foreign Application Priority Data**

May 24, 2002 (GB) 3003916

(51) **LOC (7) Cl.** **22-06**

(52) **U.S. Cl.** **D22/119**

(58) **Field of Search** D22/119-125;
43/131, 58, 65, 121, 124

(56) **References Cited**

U.S. PATENT DOCUMENTS

D306,637 S * 3/1990 Henderson D22/119
D323,016 S * 1/1992 Vajs D22/119

D385,611 S * 10/1997 Prince et al. D22/119
D404,790 S * 1/1999 Benedetto D22/119
D409,711 S * 5/1999 Johnson D22/119
6,571,509 B2 * 6/2003 Frasier 43/131

* cited by examiner

Primary Examiner—Catherine R. Oliver
(74) *Attorney, Agent, or Firm*—Carmody & Torrance LLP

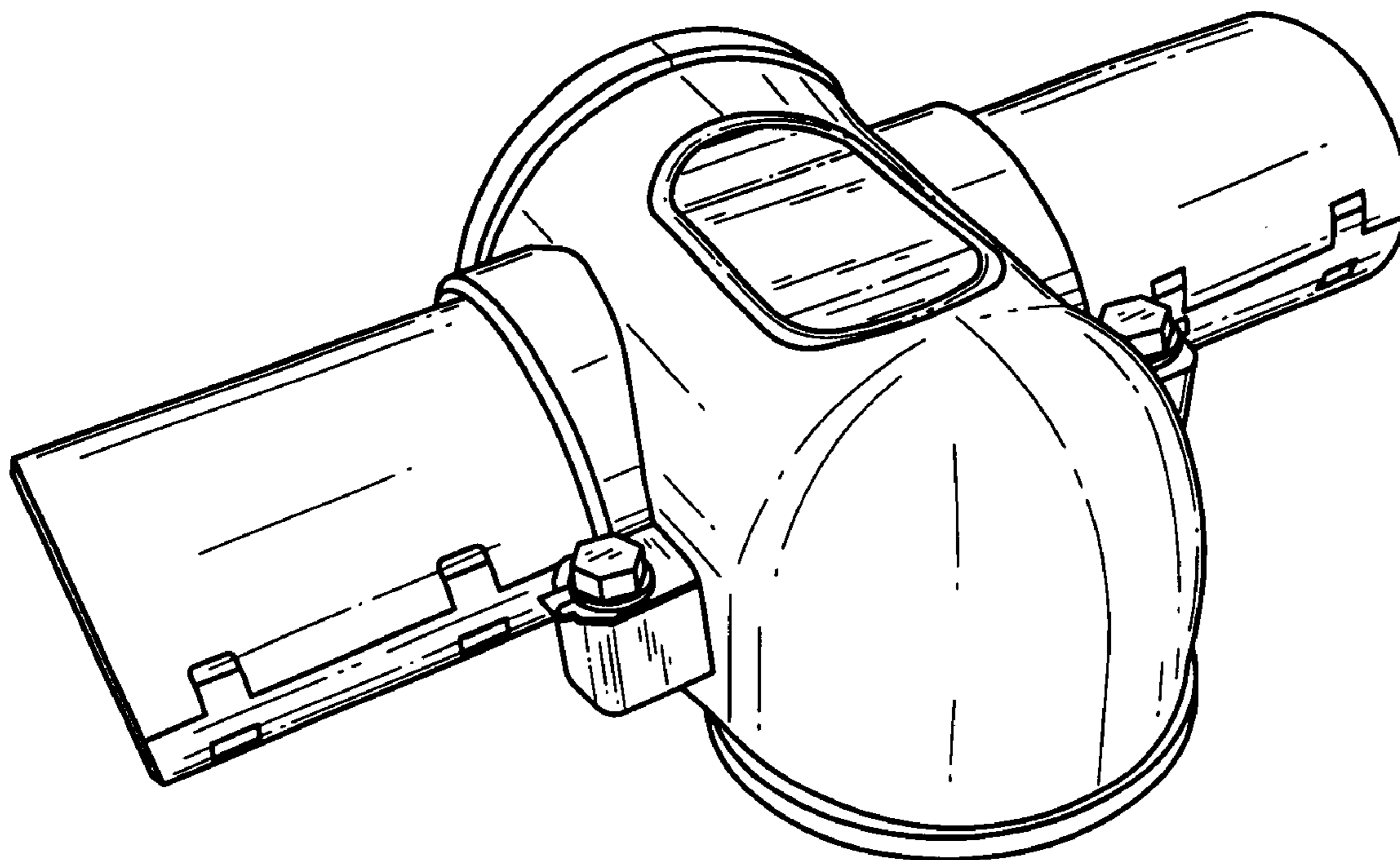
(57) **CLAIM**

The ornamental design for a rodent bait station, as shown and described.

DESCRIPTION

FIG. 1 is a front perspective view of a rodent bait station showing my new design;
FIG. 2 is a rear perspective view thereof;
FIG. 3 is a top plan view
FIG. 4 is a front view thereof;
FIG. 5 is a left side view thereof;
FIG. 6 is a right side view thereof; and,
FIG. 7 is a rear view thereof.

1 Claim, 3 Drawing Sheets



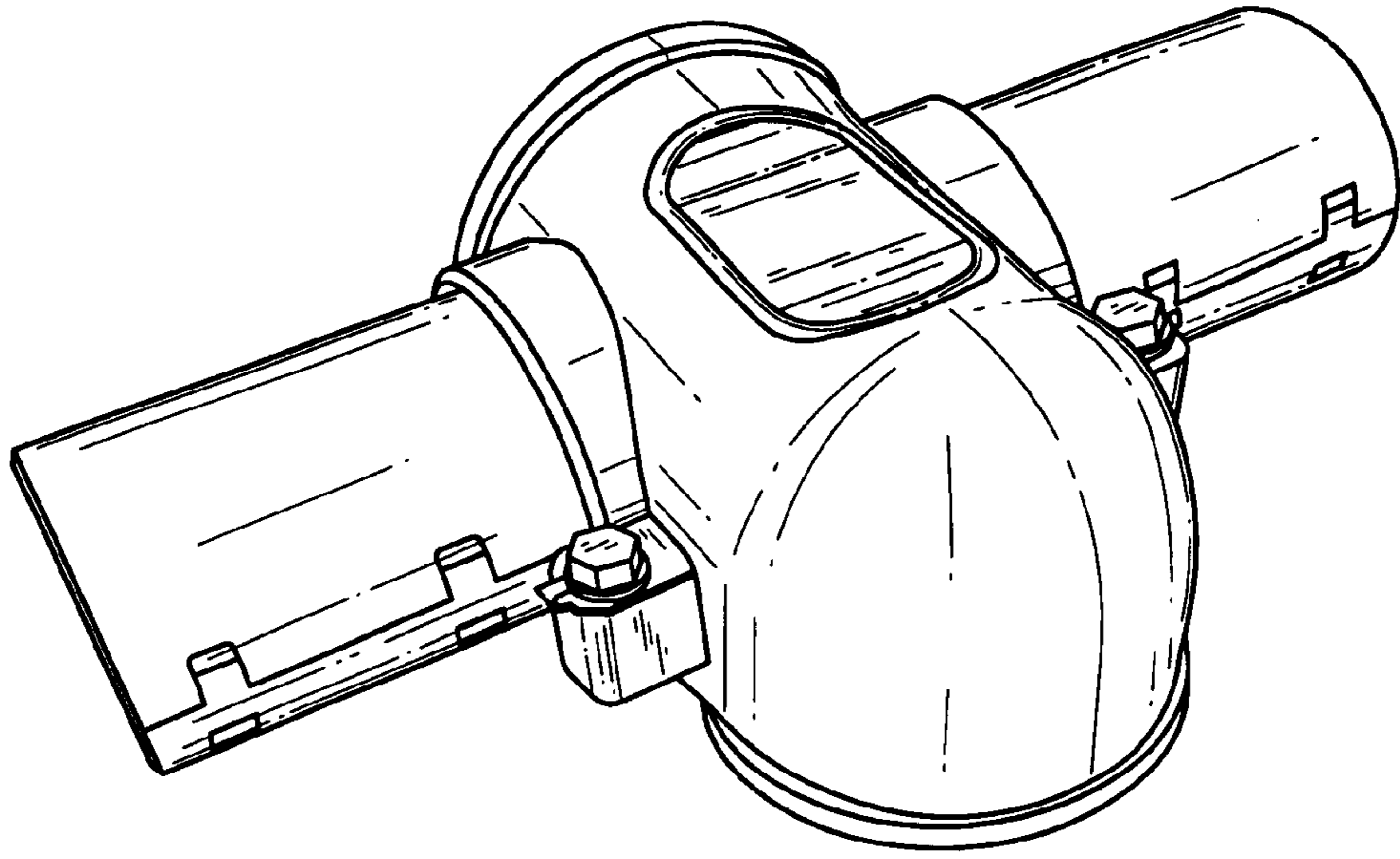


FIG. 1

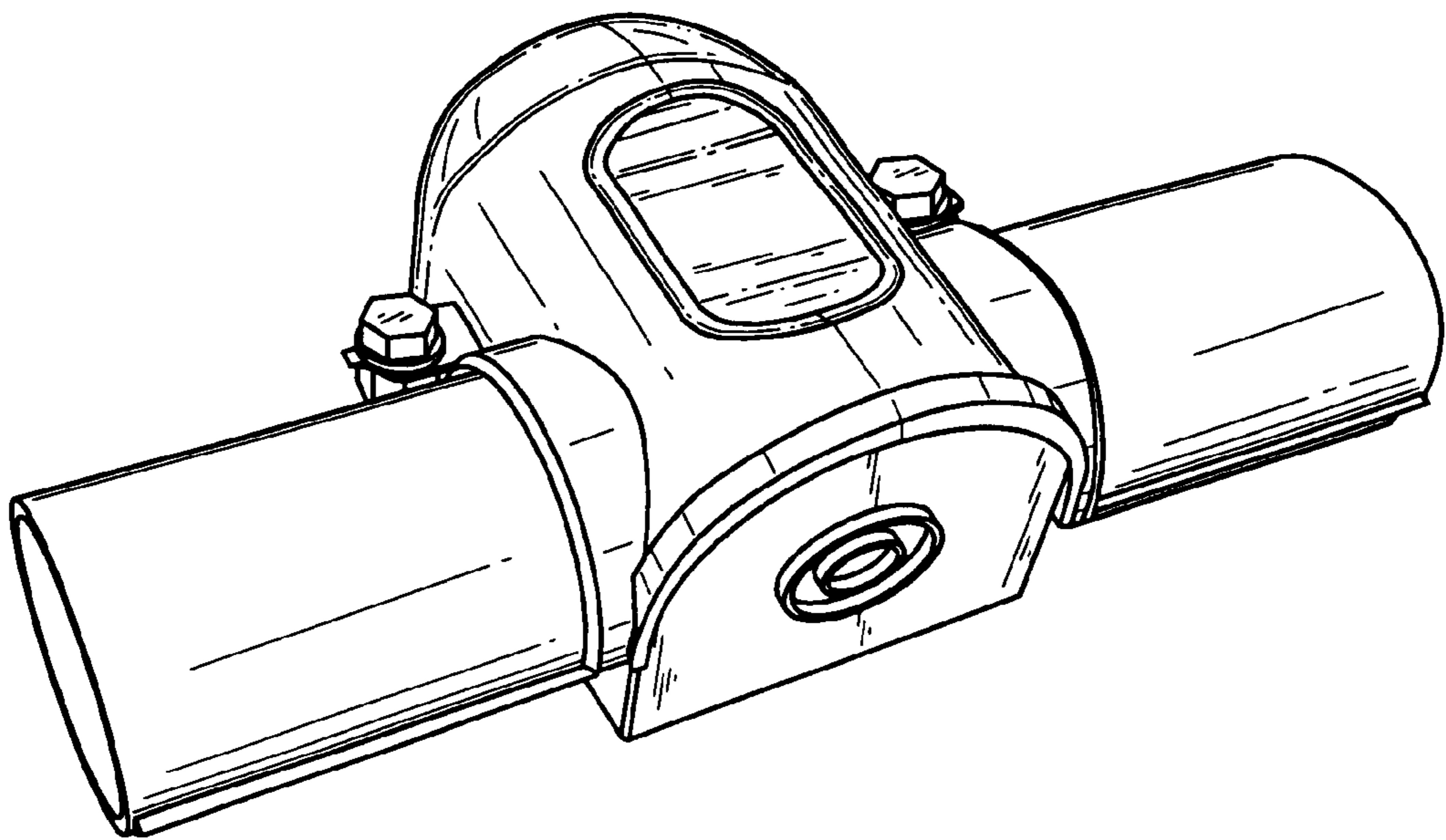


FIG. 2

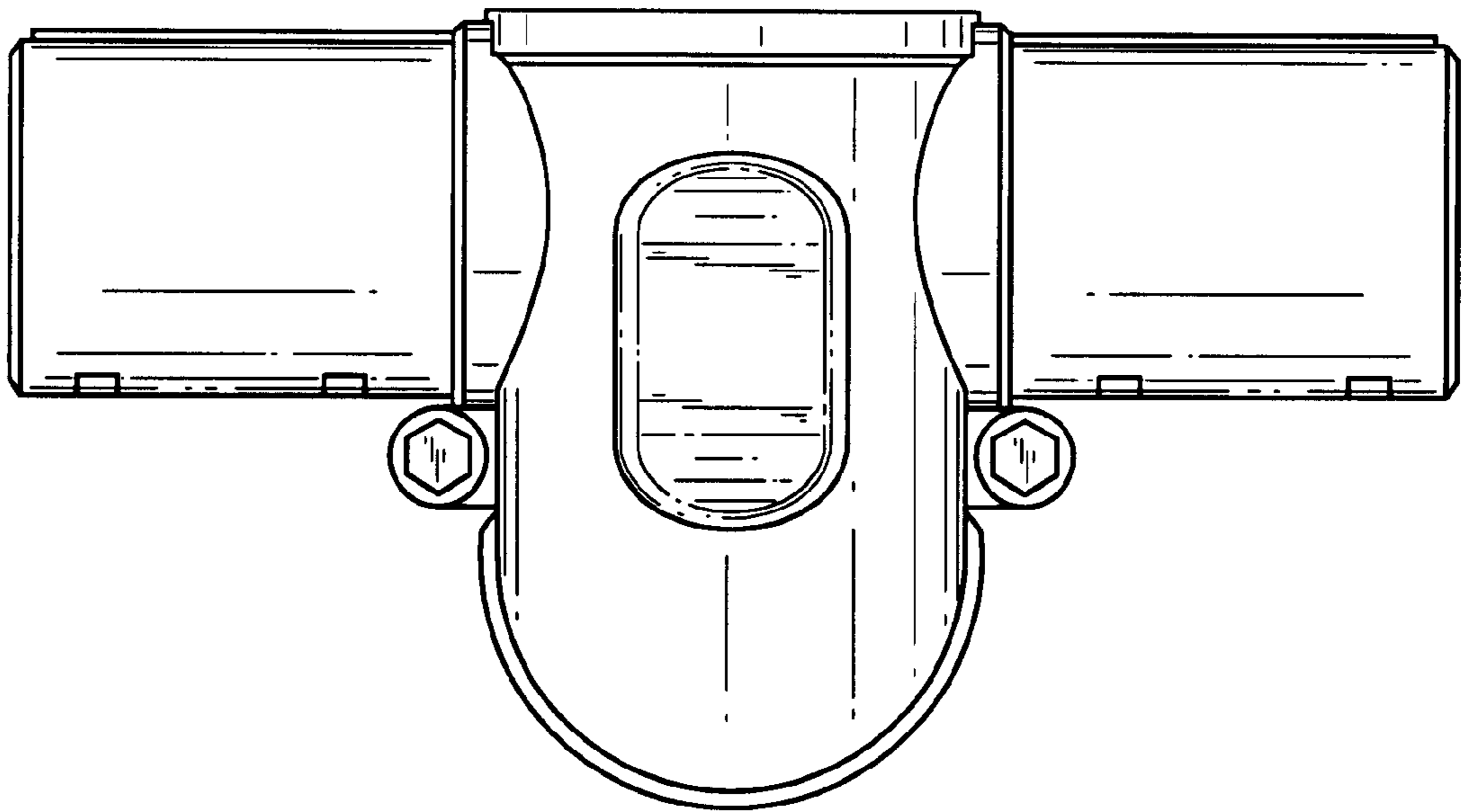


FIG. 3

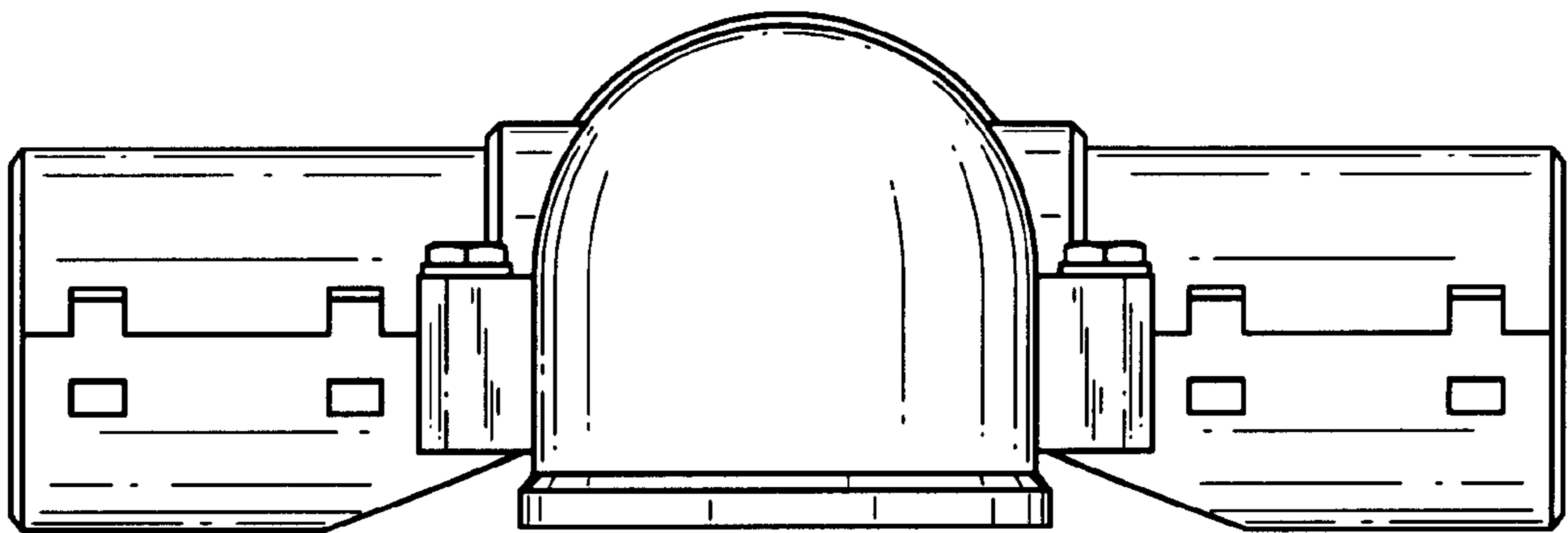


FIG. 4

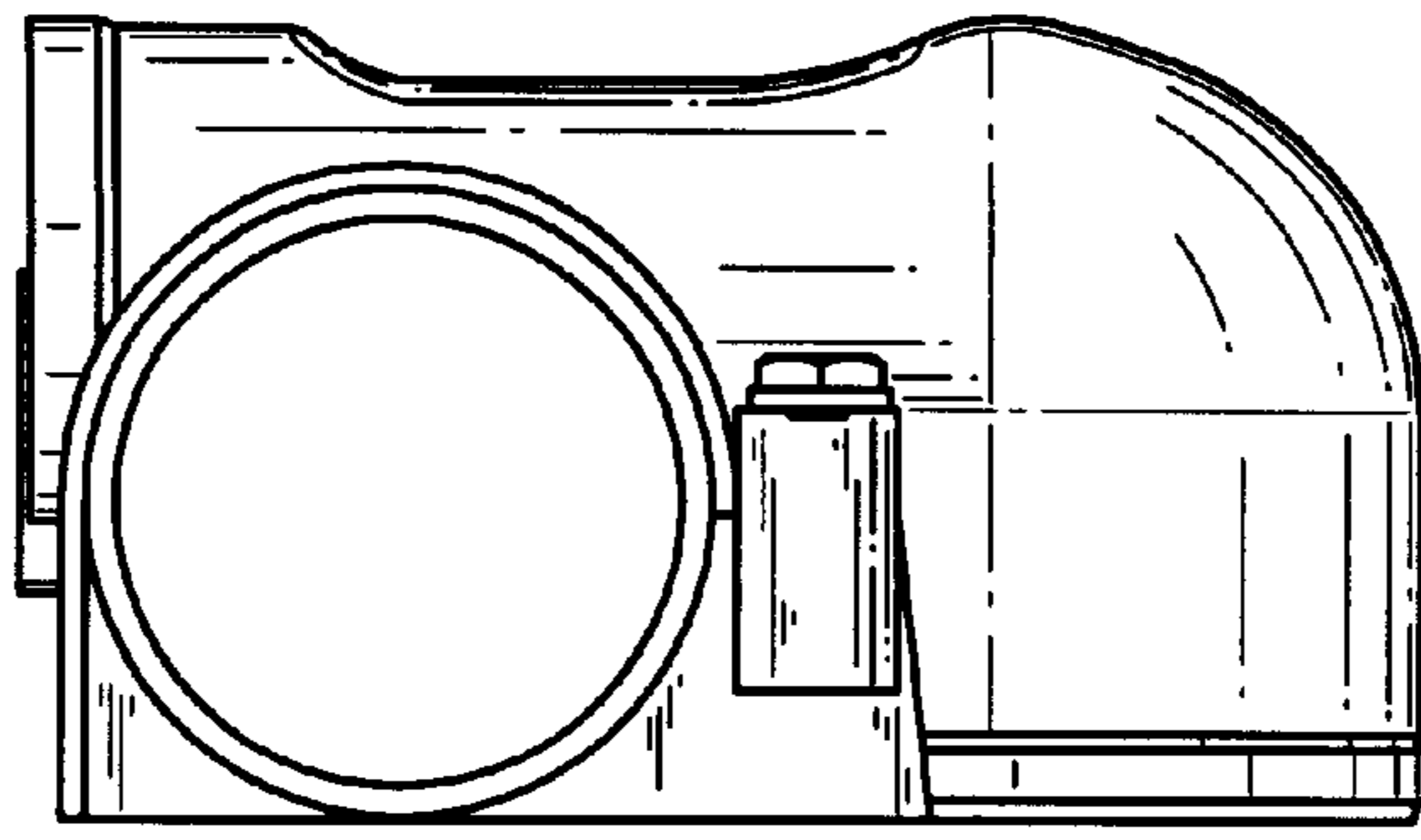


FIG. 5

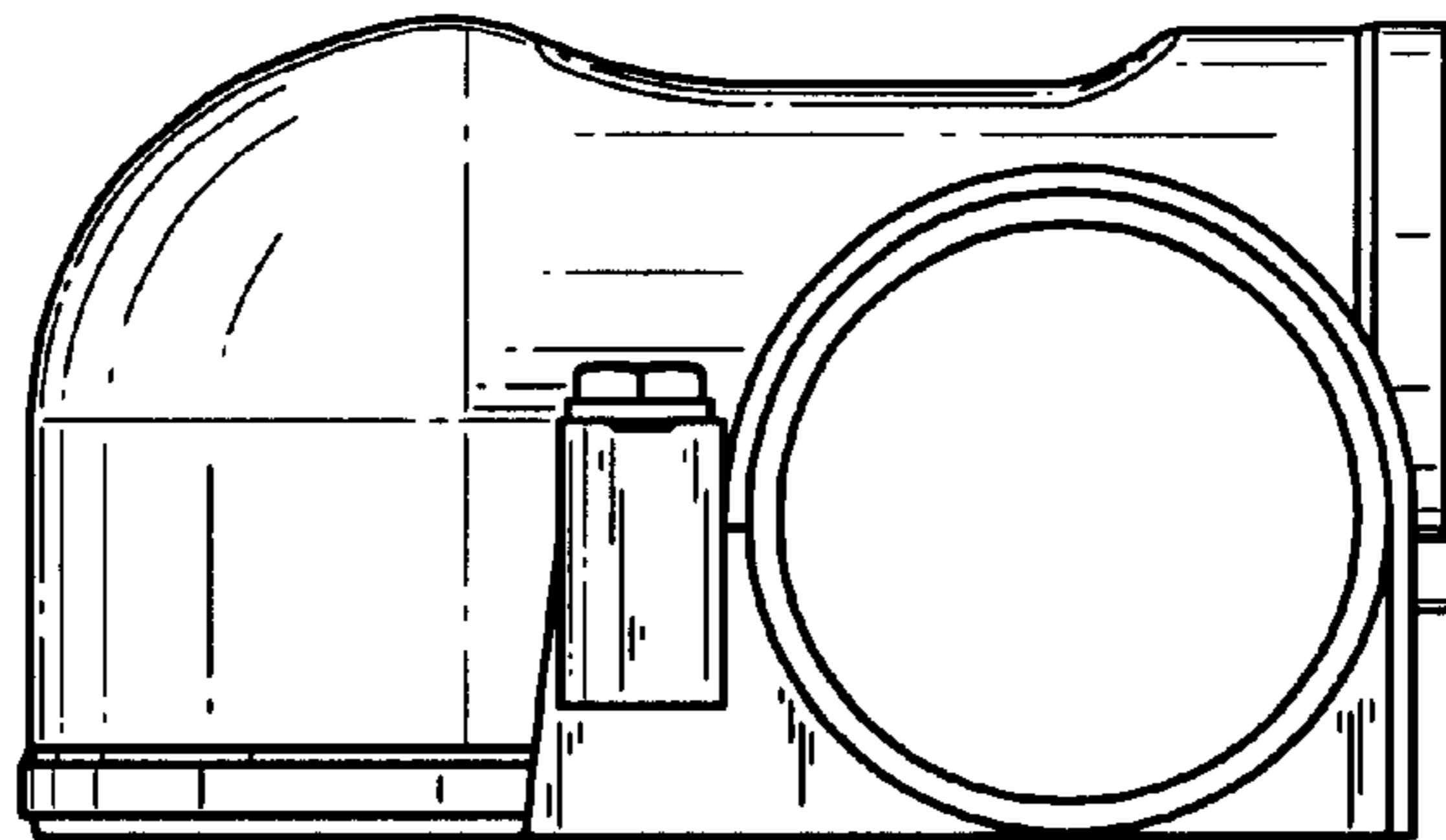


FIG. 6

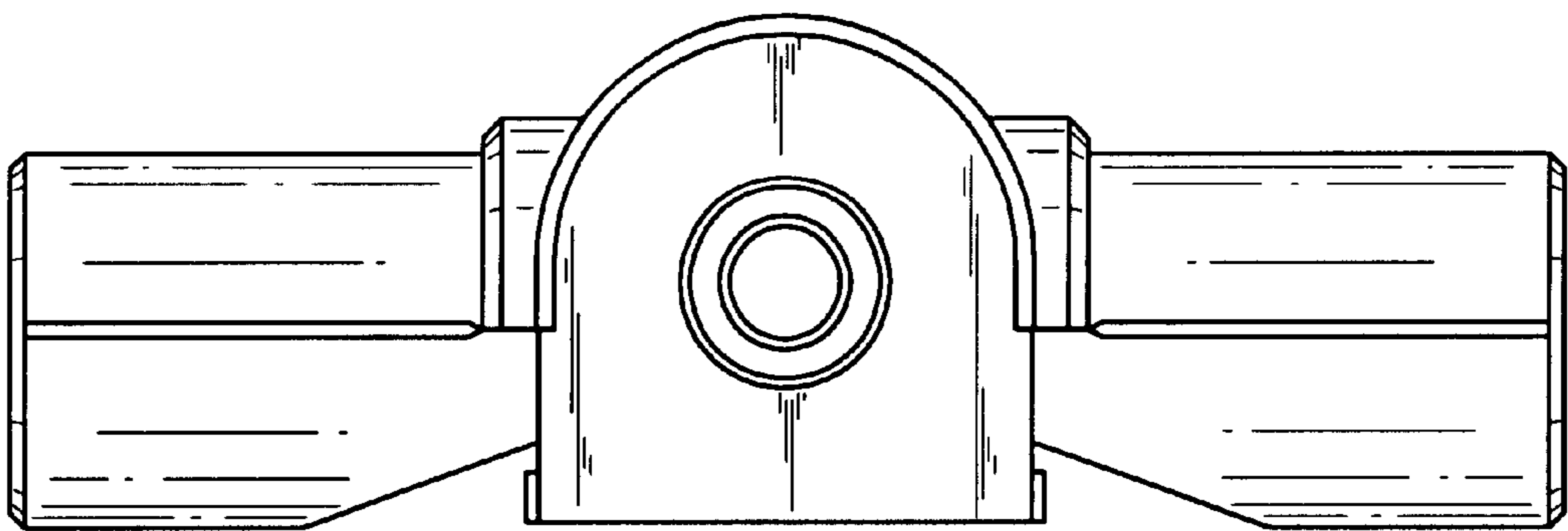


FIG. 7