



US00D485595S

(12) **United States Design Patent**
Schaub

(10) **Patent No.:** **US D485,595 S**

(45) **Date of Patent:** **** Jan. 20, 2004**

(54) **GUN TRIGGER LOCK**

(75) Inventor: **Bernie Schaub**, University Heights, OH (US)

(73) Assignee: **DEM Solutions Inc.**, University Heights, OH (US)

(**) Term: **14 Years**

(21) Appl. No.: **29/179,813**

(22) Filed: **Apr. 15, 2003**

(51) **LOC (7) Cl.** **22-01**

(52) **U.S. Cl.** **D22/108**

(58) **Field of Search** D22/100, 108,
D22/199; 42/44, 66, 70.02, 70.06, 70.07,
70.11, 150; 70/58, 63, 202, 211, 312

(56) **References Cited**

U.S. PATENT DOCUMENTS

5,487,234	A	*	1/1996	Dragon	42/70.07
5,515,633	A	*	5/1996	Harris	42/70.07
5,899,102	A	*	5/1999	Ling	42/70.06 X
6,276,086	B1	*	8/2001	Keaton	42/70.07
D462,735	S	*	9/2002	Rohde et al.	D22/108
2002/0069569	A1	*	6/2002	Riebling et al.	42/70.07

* cited by examiner

Primary Examiner—Louis S. Zarfaz
Assistant Examiner—Monica A. Weingart

(74) *Attorney, Agent, or Firm*—Benesch, Friedlander, Coplan & Aronoff LLP

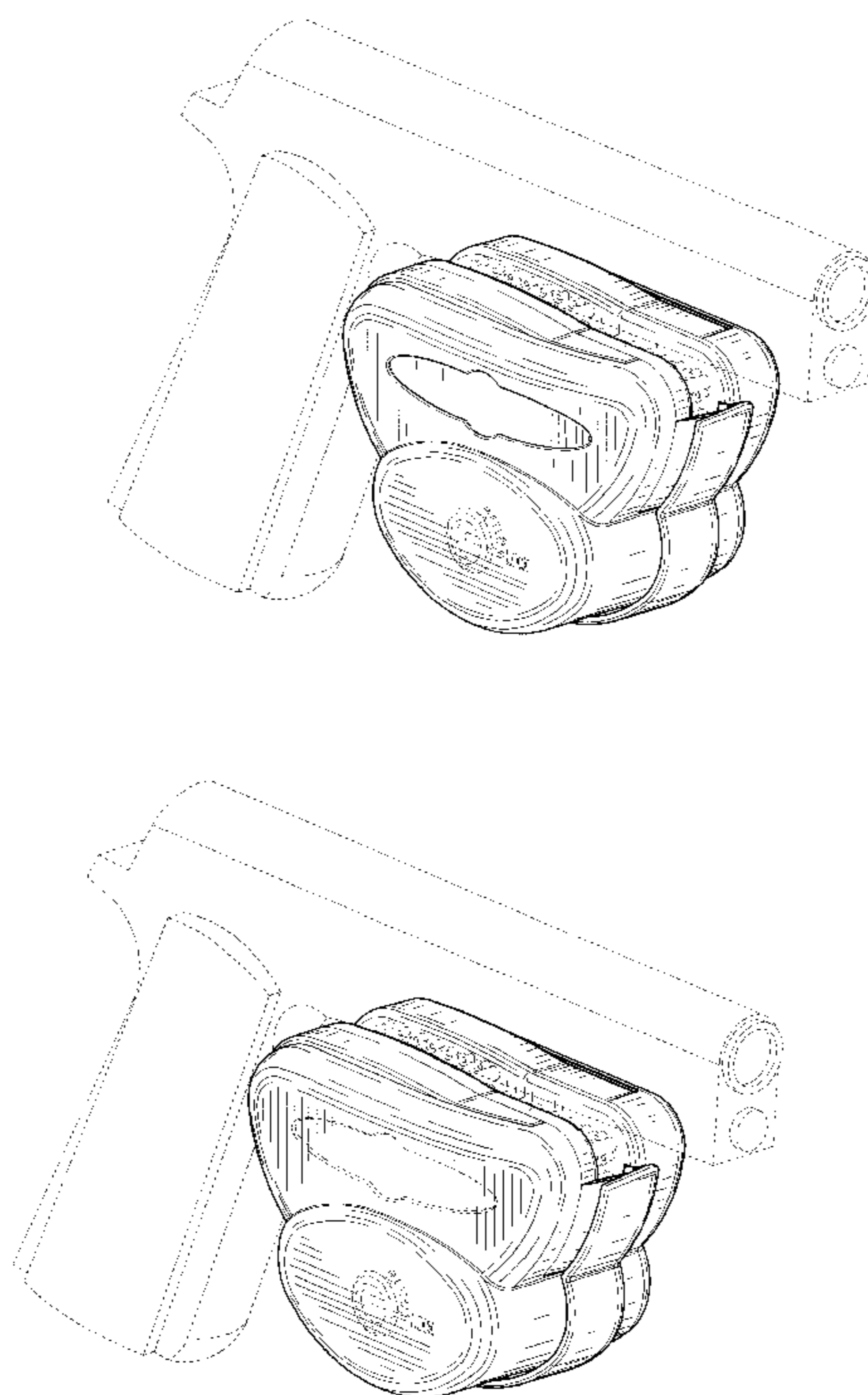
(57) **CLAIM**

The ornamental design for a gun trigger lock, as shown and described.

DESCRIPTION

FIG. 1 is a front perspective view of a gun trigger lock showing my new design;
 FIG. 2 is a rear perspective view thereof;
 FIG. 3 is a front elevational view thereof;
 FIG. 4 is a rear elevational view thereof;
 FIG. 5 is a top plan view thereof;
 FIG. 6 is a bottom plan view thereof;
 FIG. 7 is a left side elevational view thereof;
 FIG. 8 is a right side elevational view thereof;
 FIG. 9 is a front perspective view of an alternate embodiment of a gun trigger lock;
 FIG. 10 is a rear perspective view thereof;
 FIG. 11 is a front elevational view thereof;
 FIG. 12 is a rear elevational view thereof;
 FIG. 13 is a top plan view thereof;
 FIG. 14 is a bottom plan view thereof;
 FIG. 15 is a left side elevational view thereof; and,
 FIG. 16 is a right side elevational view thereof.
 The broken line showing in the views is for illustrative purposes only and forms no part of the claimed design.

1 Claim, 4 Drawing Sheets



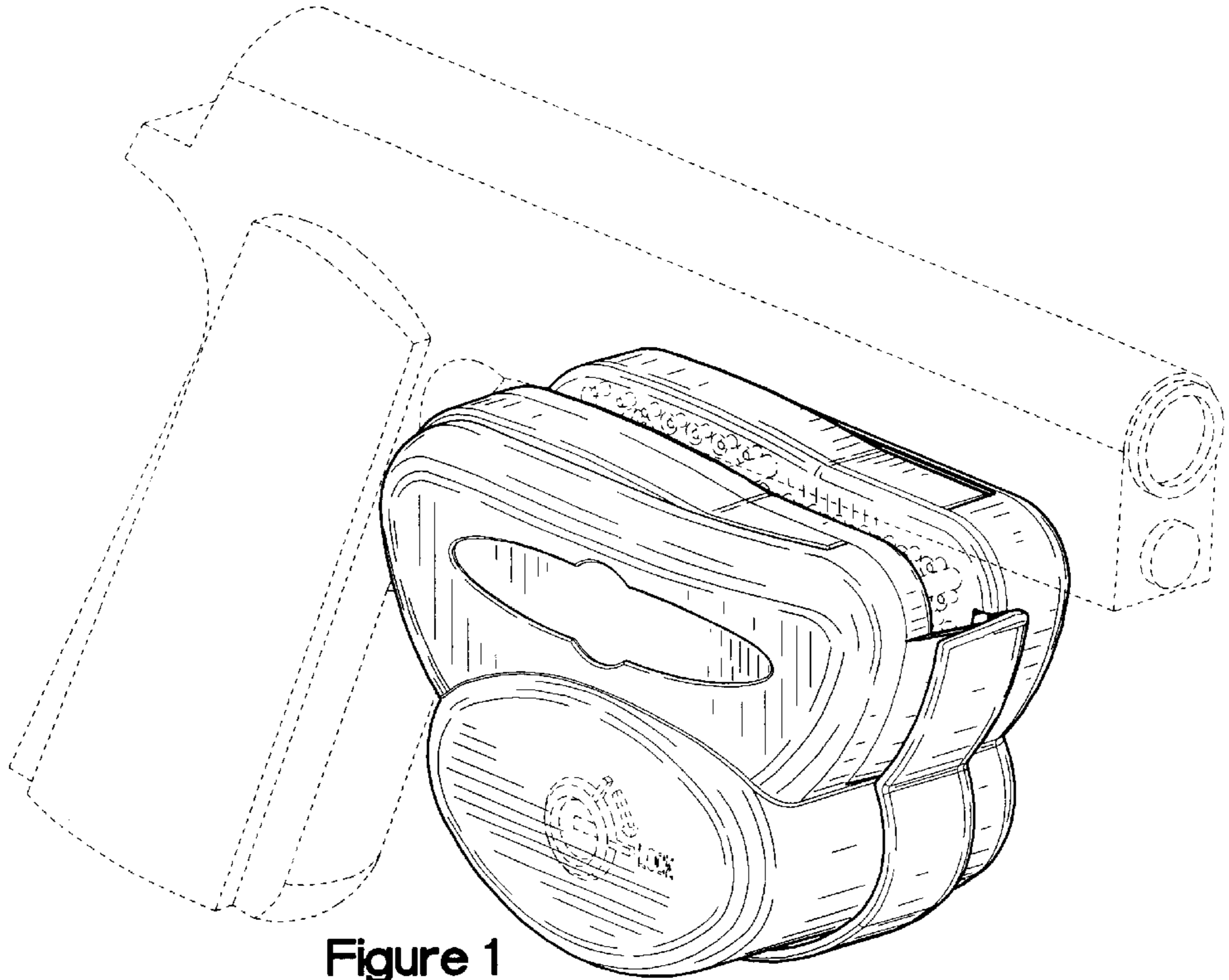


Figure 1

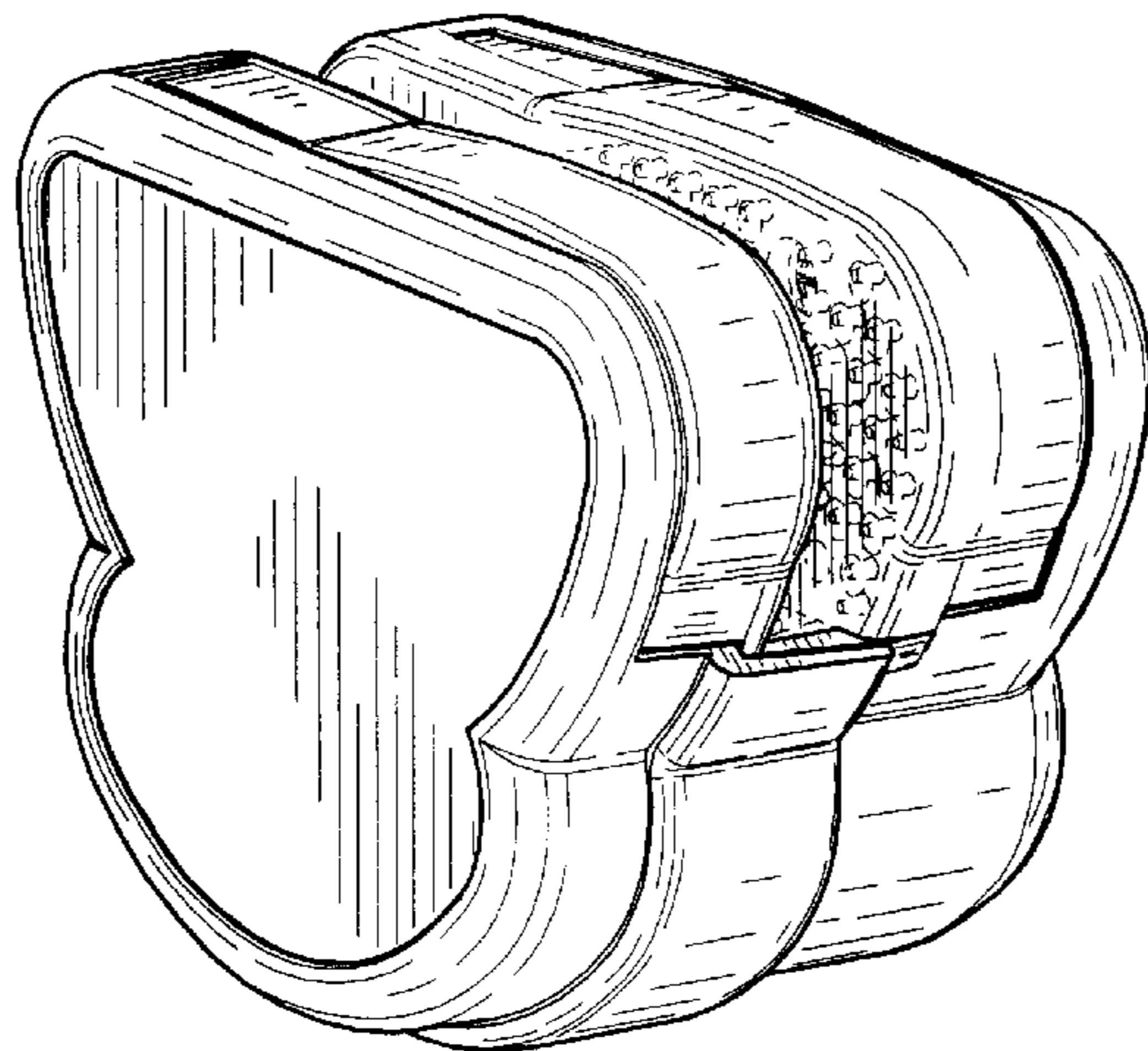


Figure 2

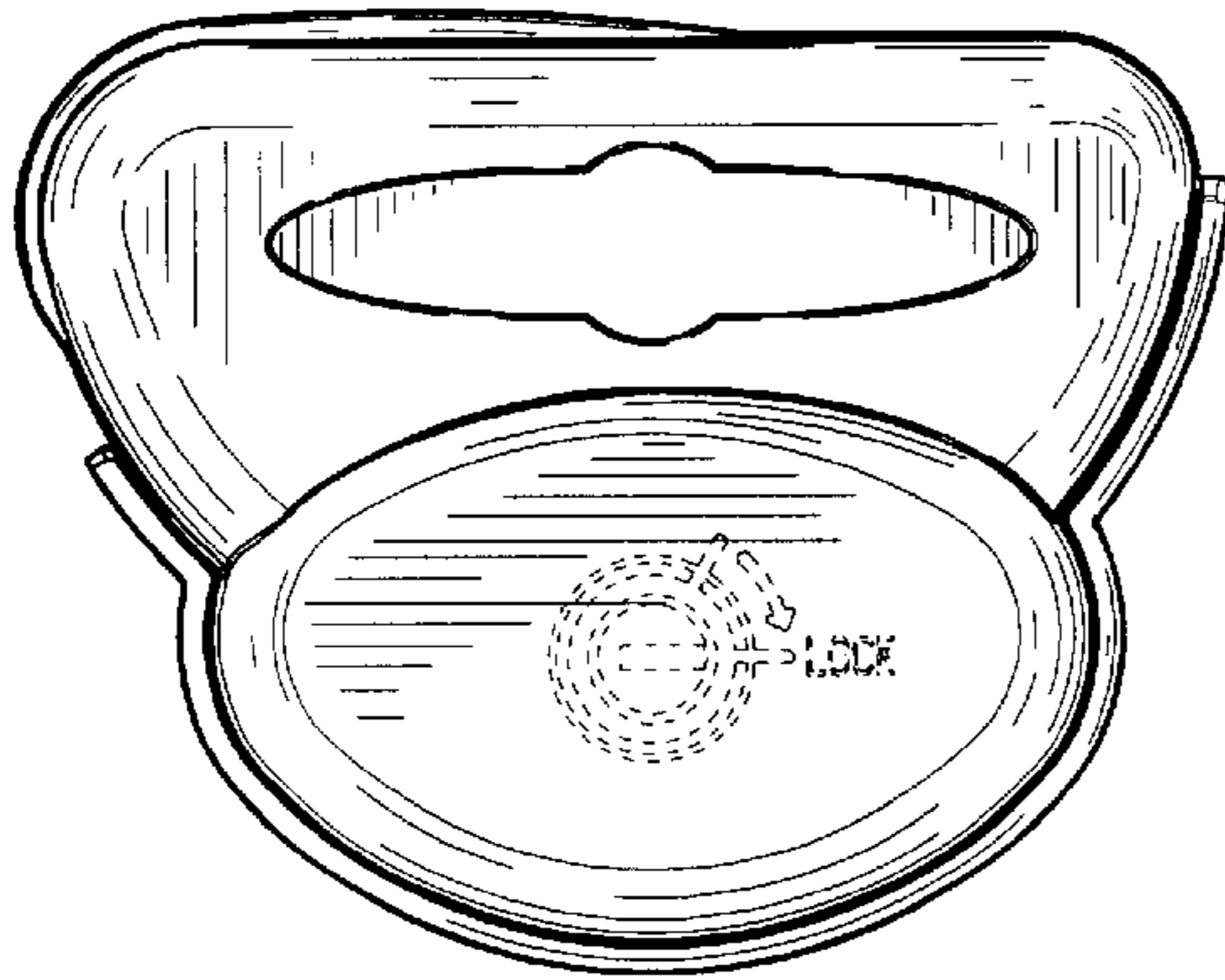


Figure 3

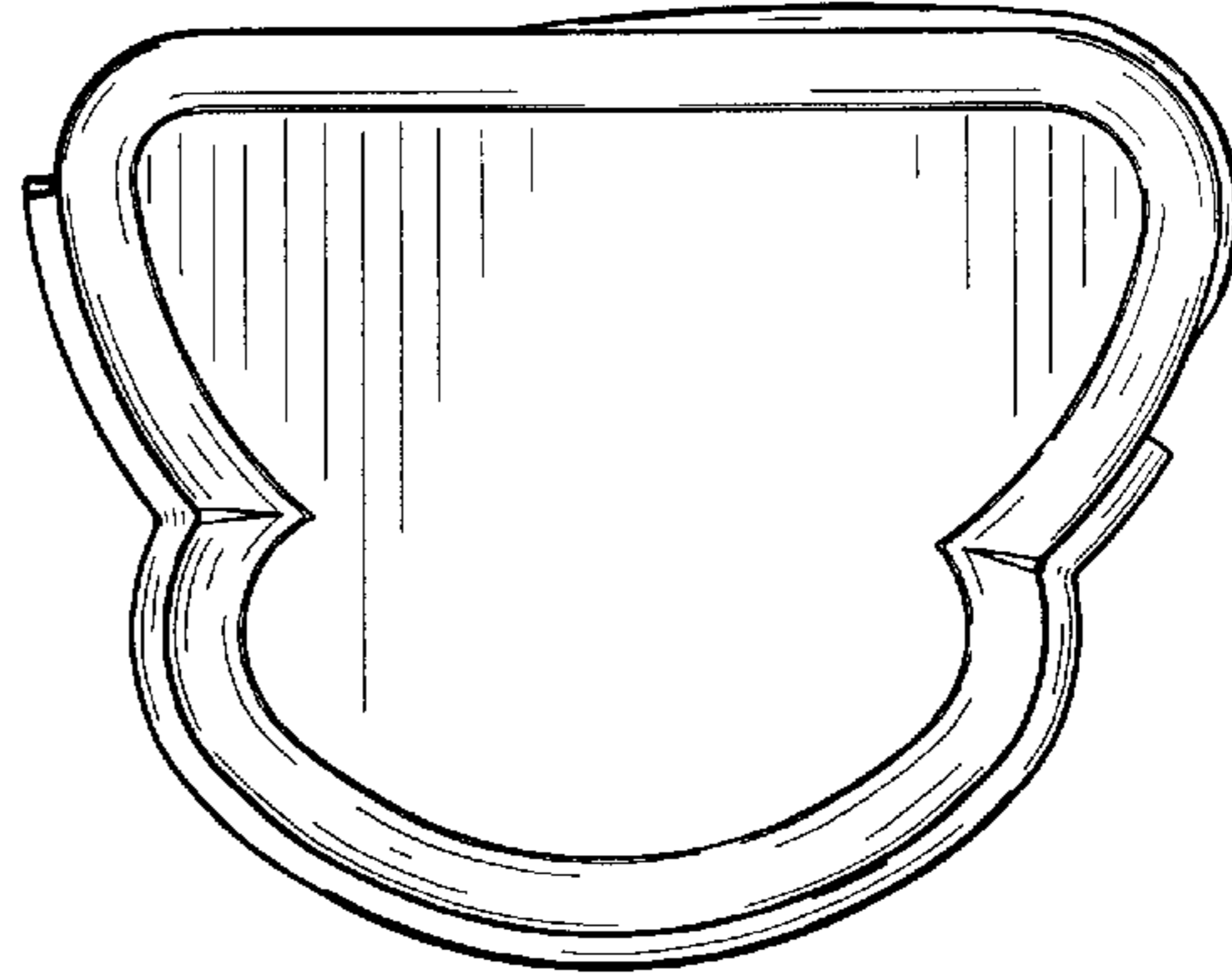


Figure 4

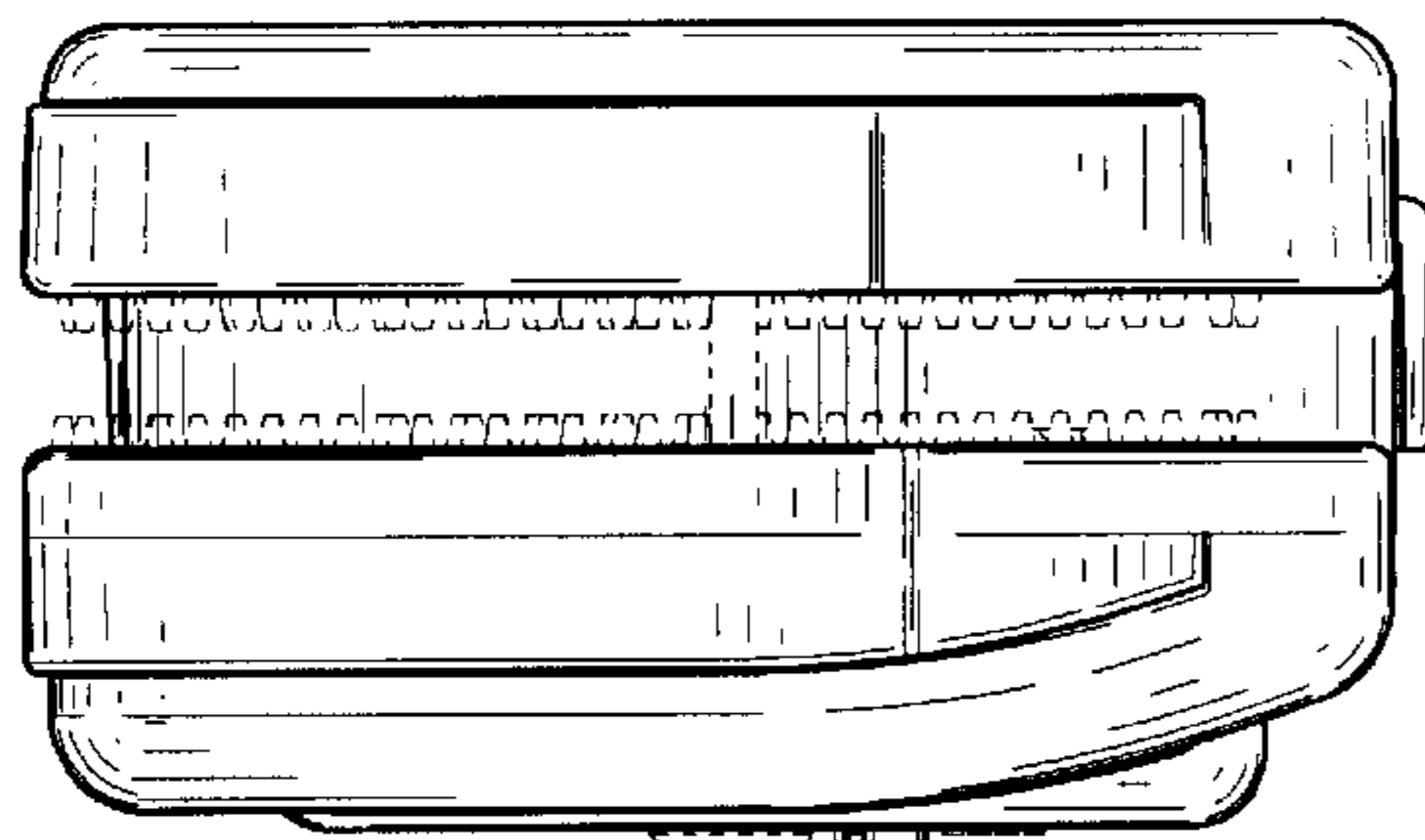


Figure 5

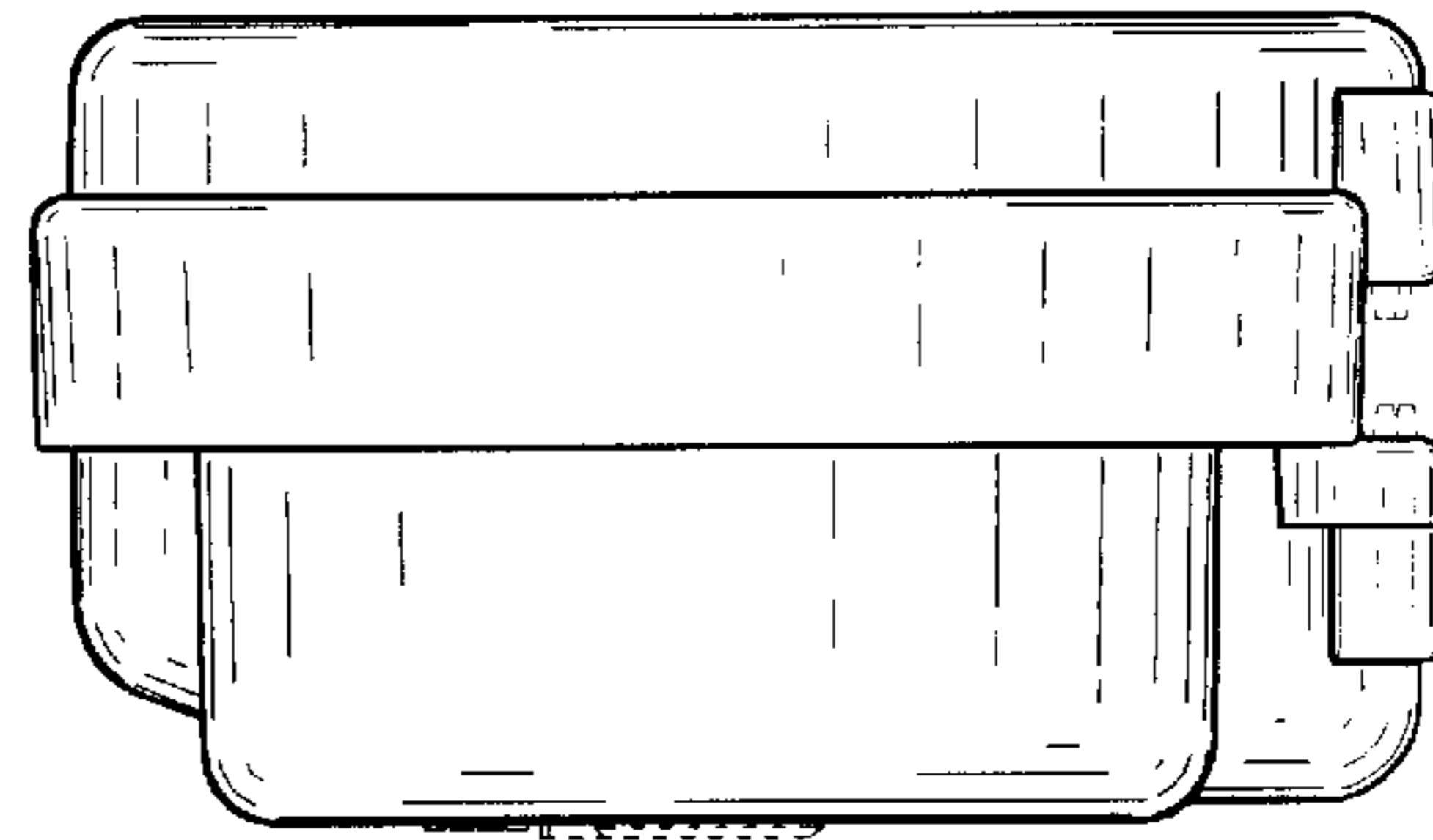


Figure 6

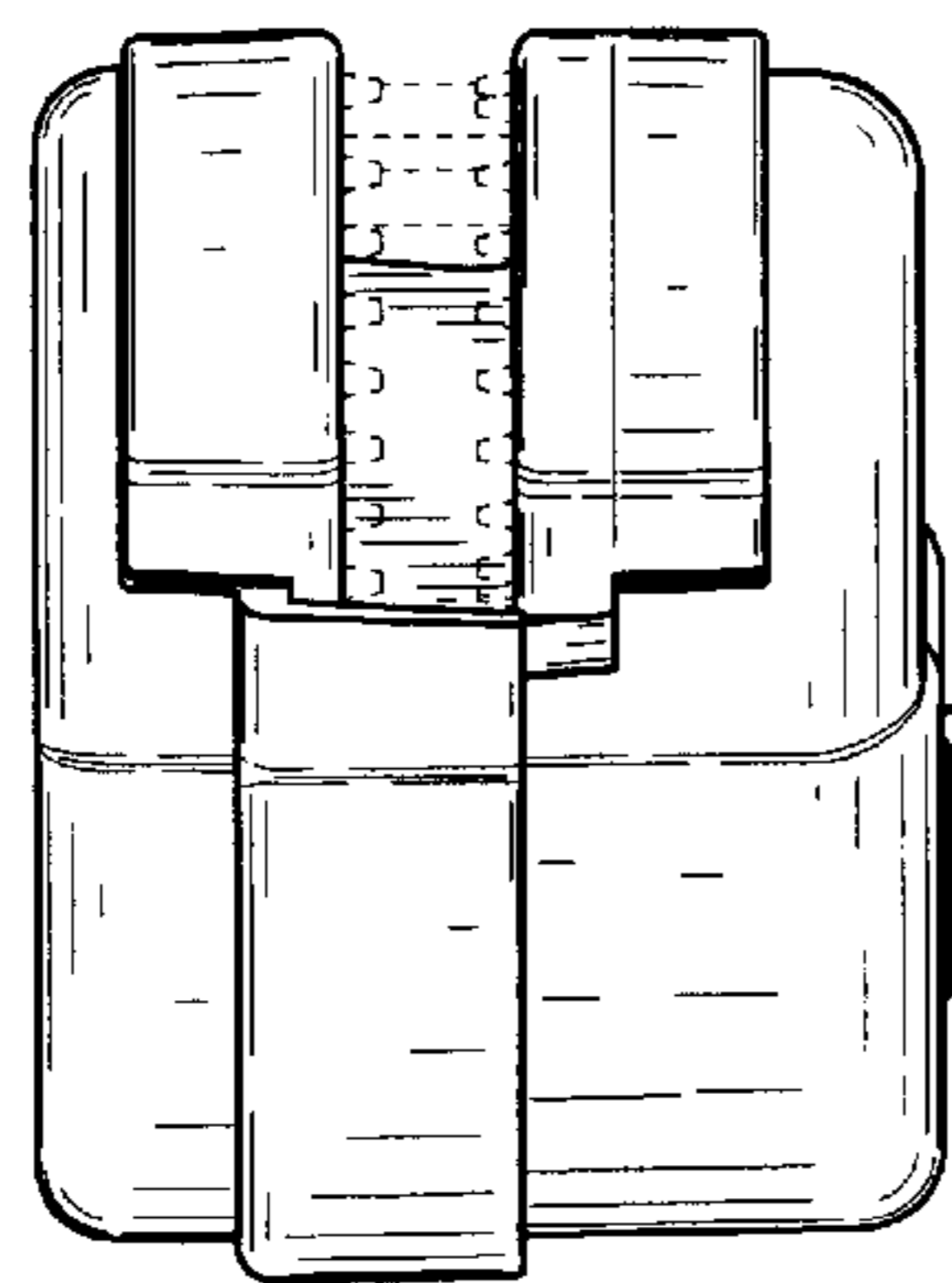


Figure 7

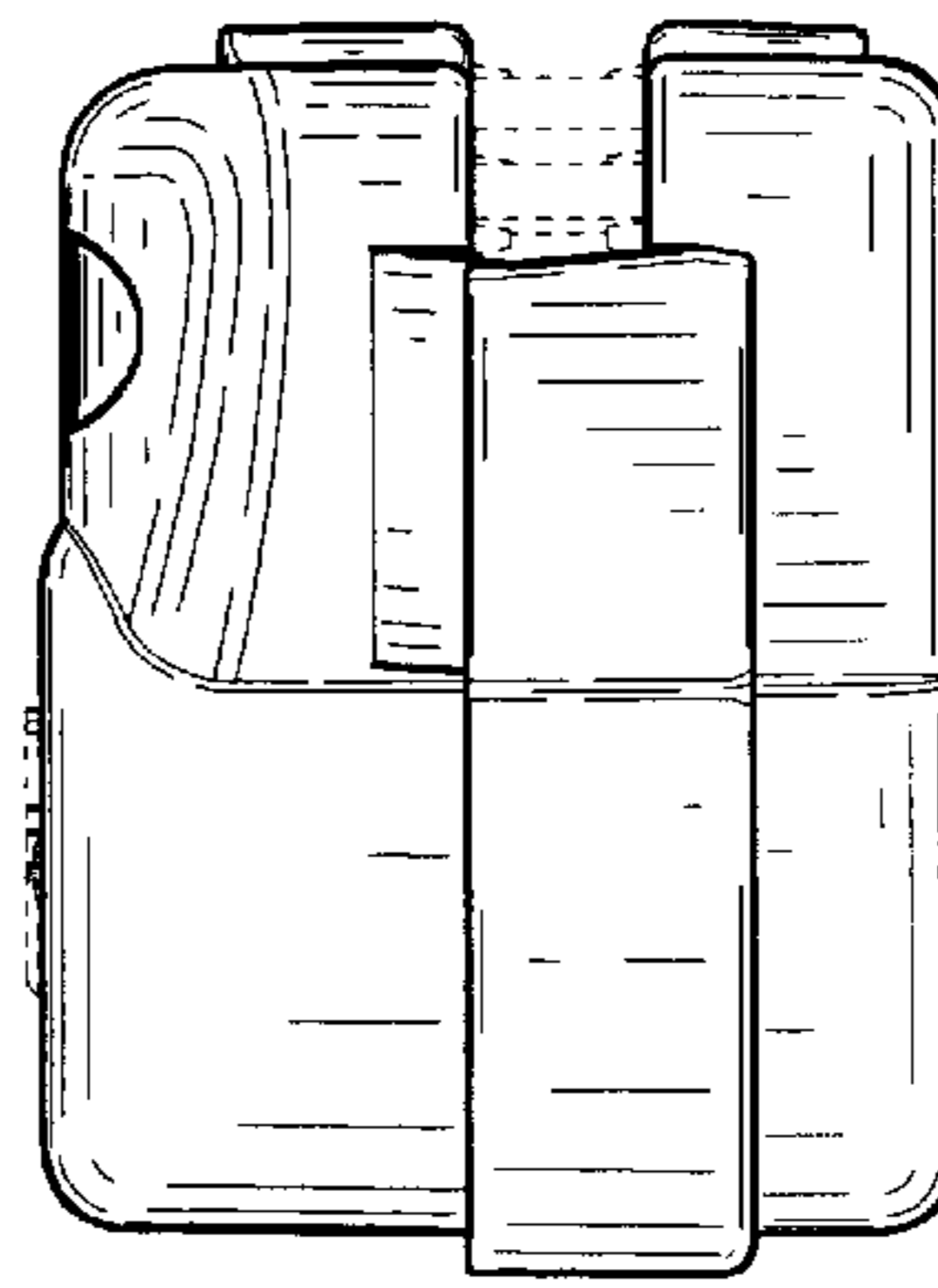


Figure 8

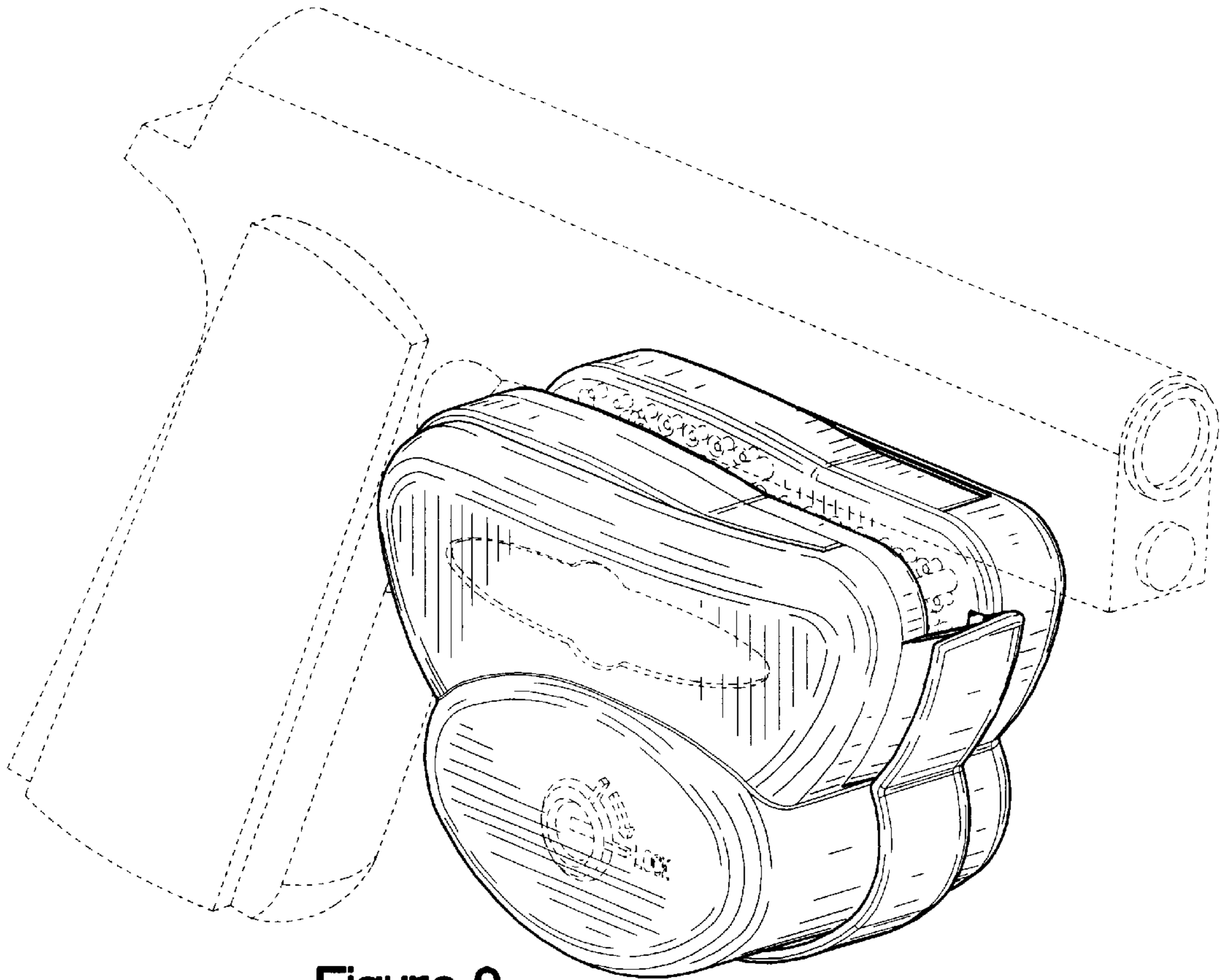


Figure 9

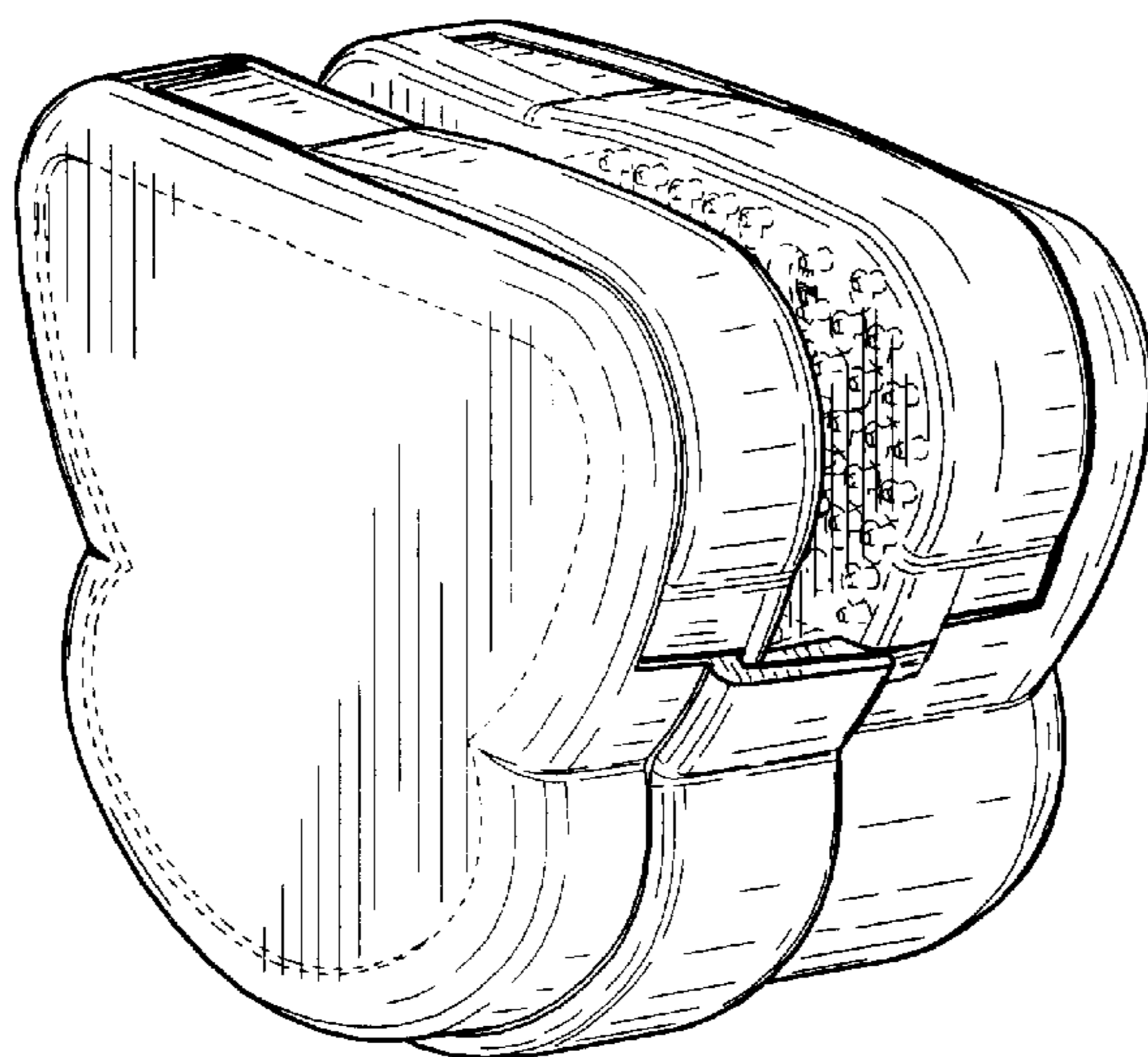


Figure 10

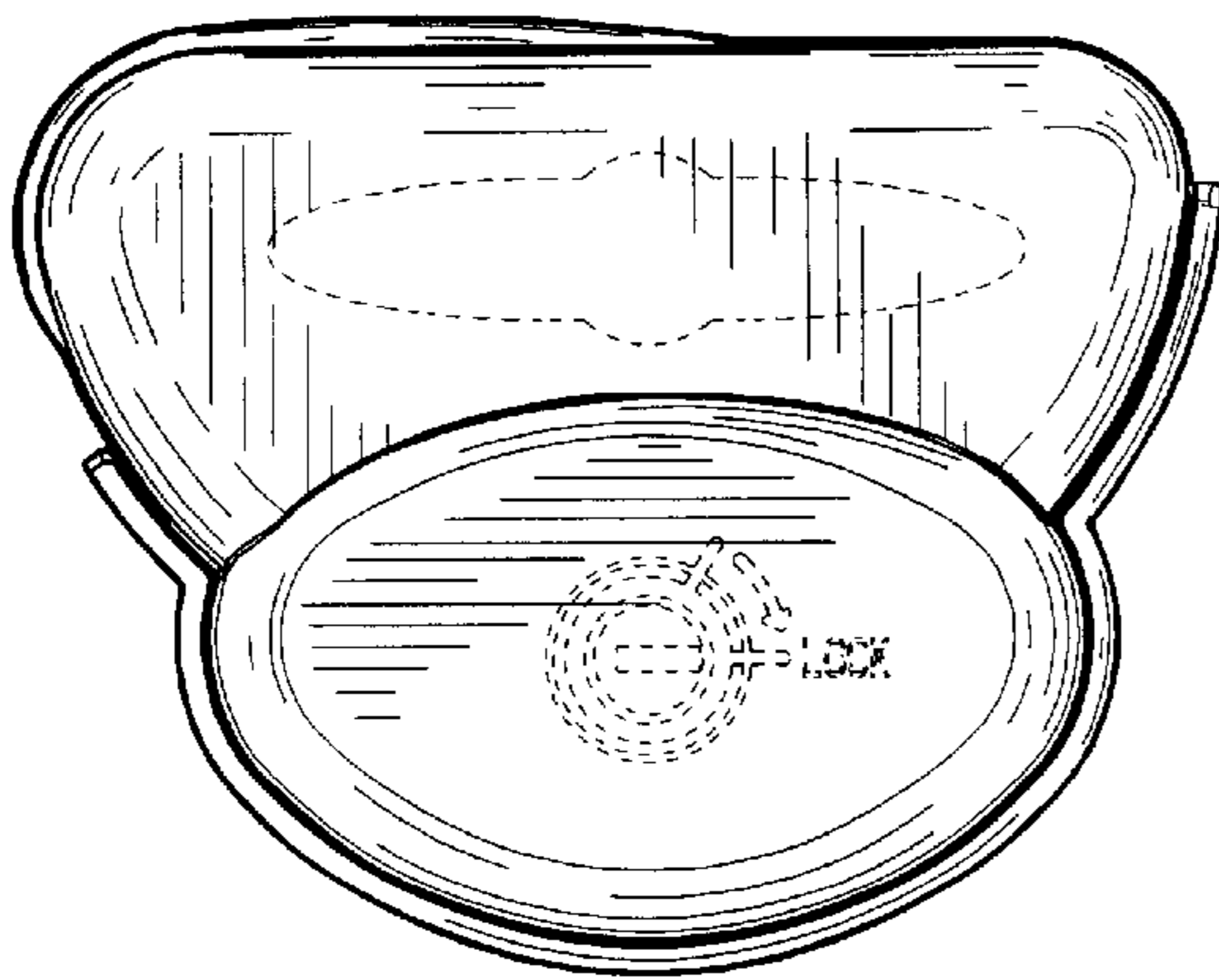


Figure 11

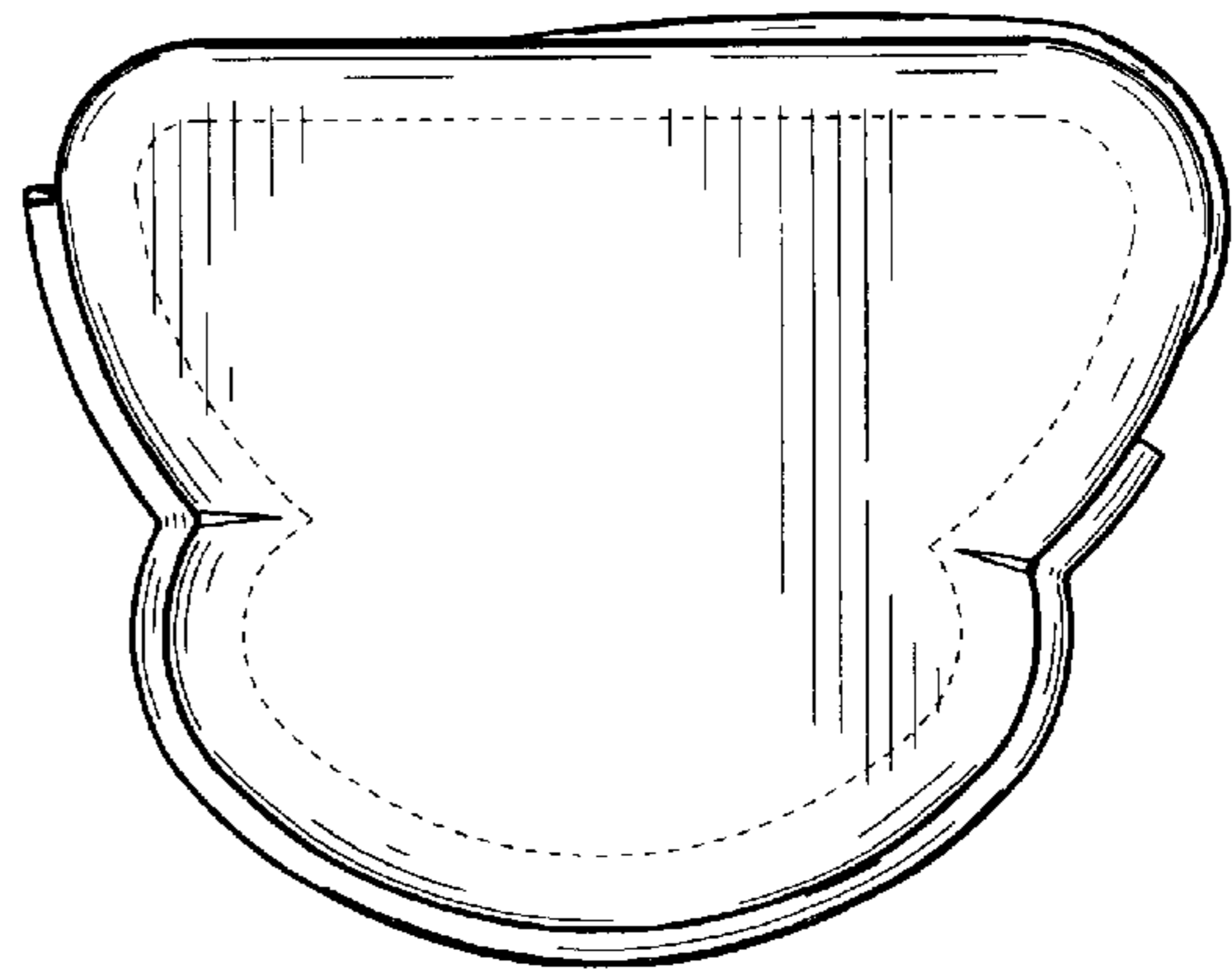


Figure 12

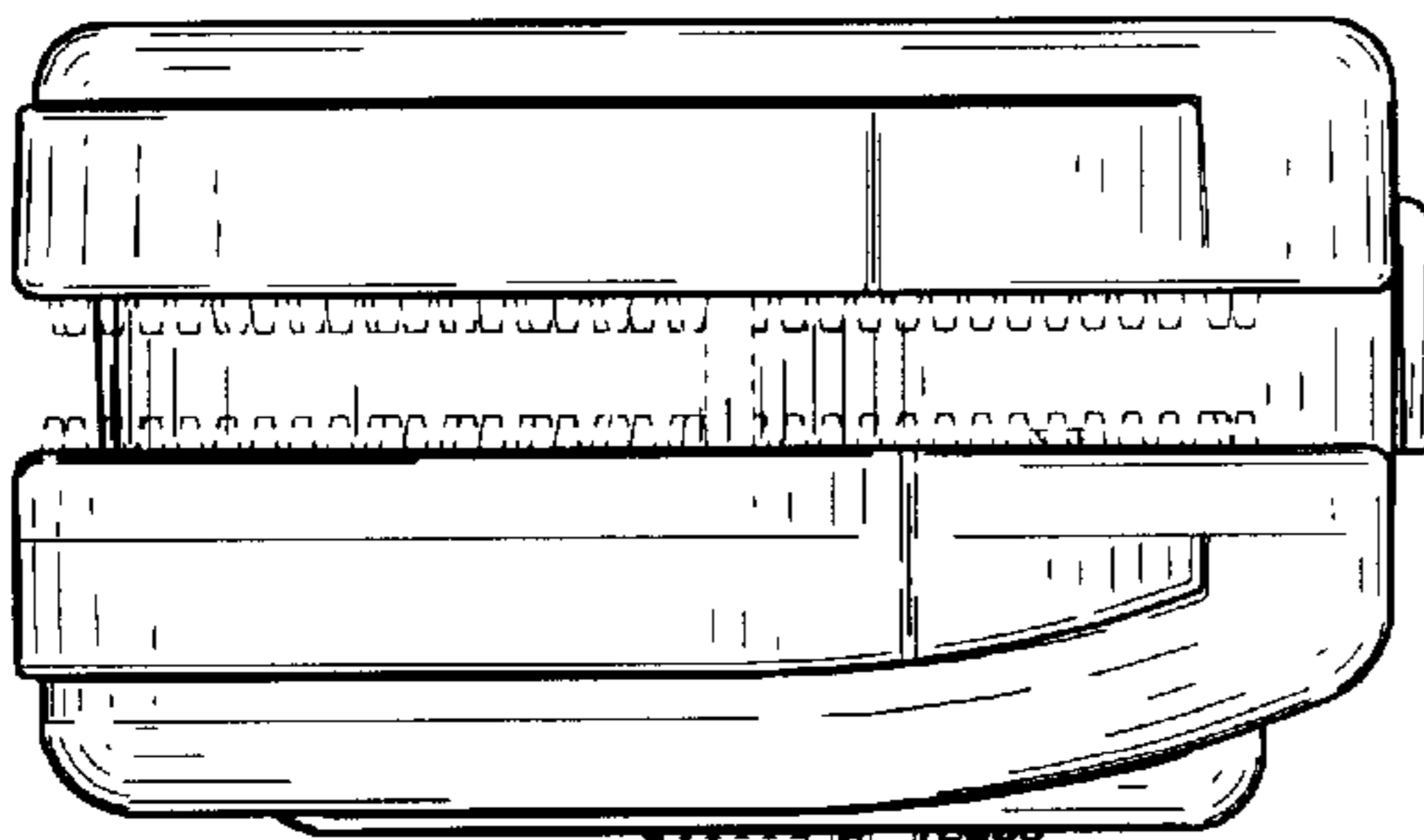


Figure 13

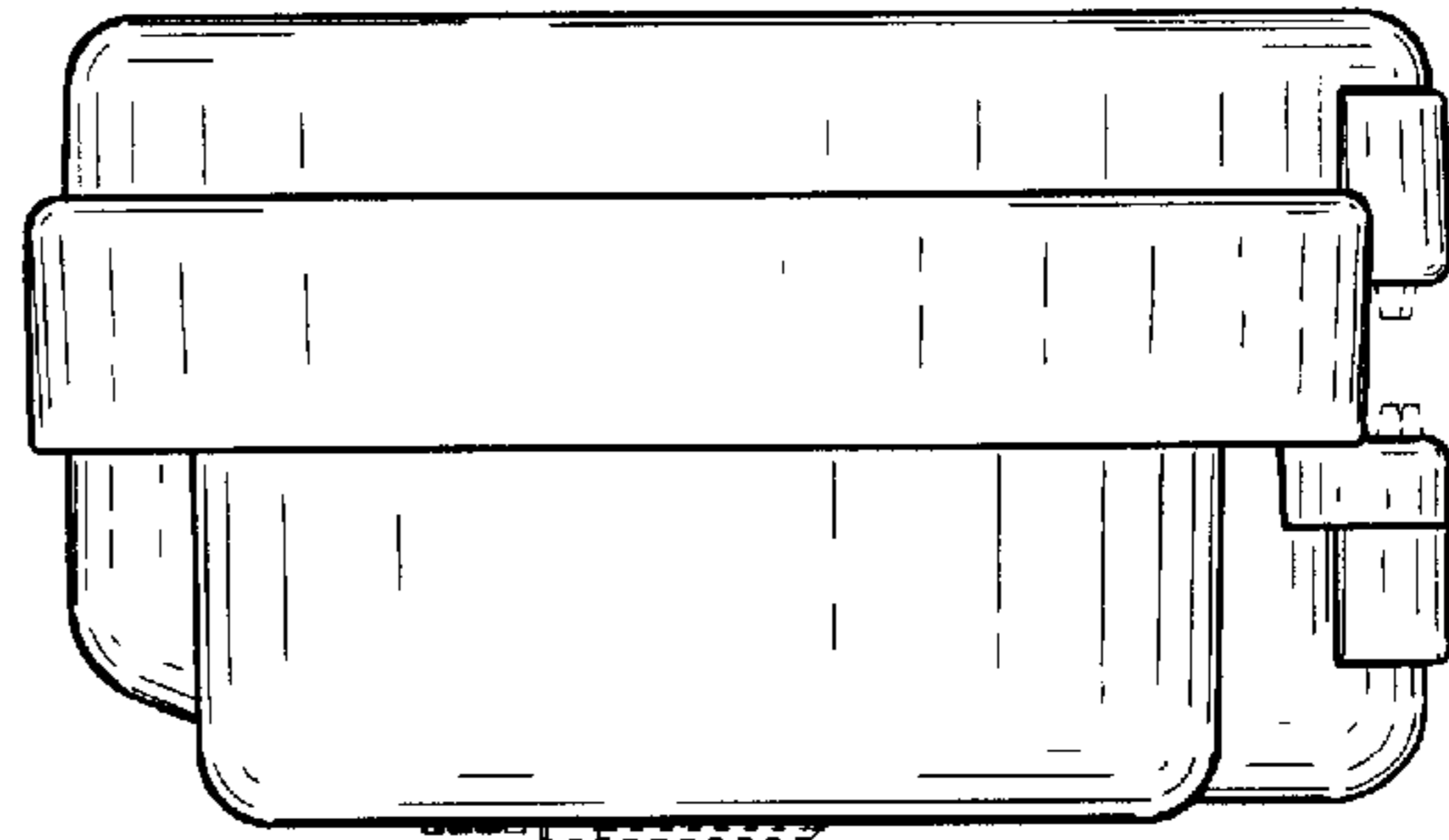


Figure 14

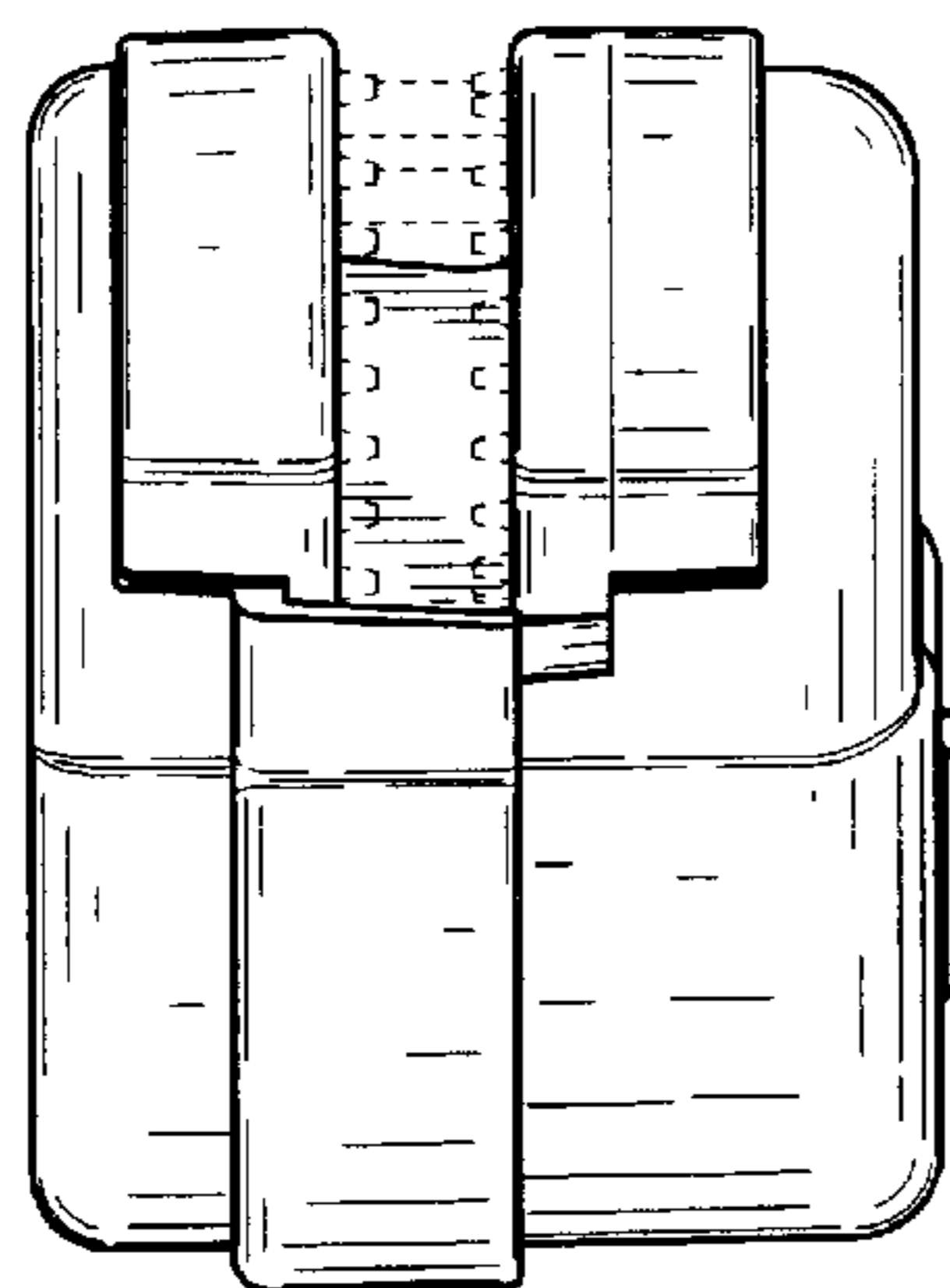


Figure 15

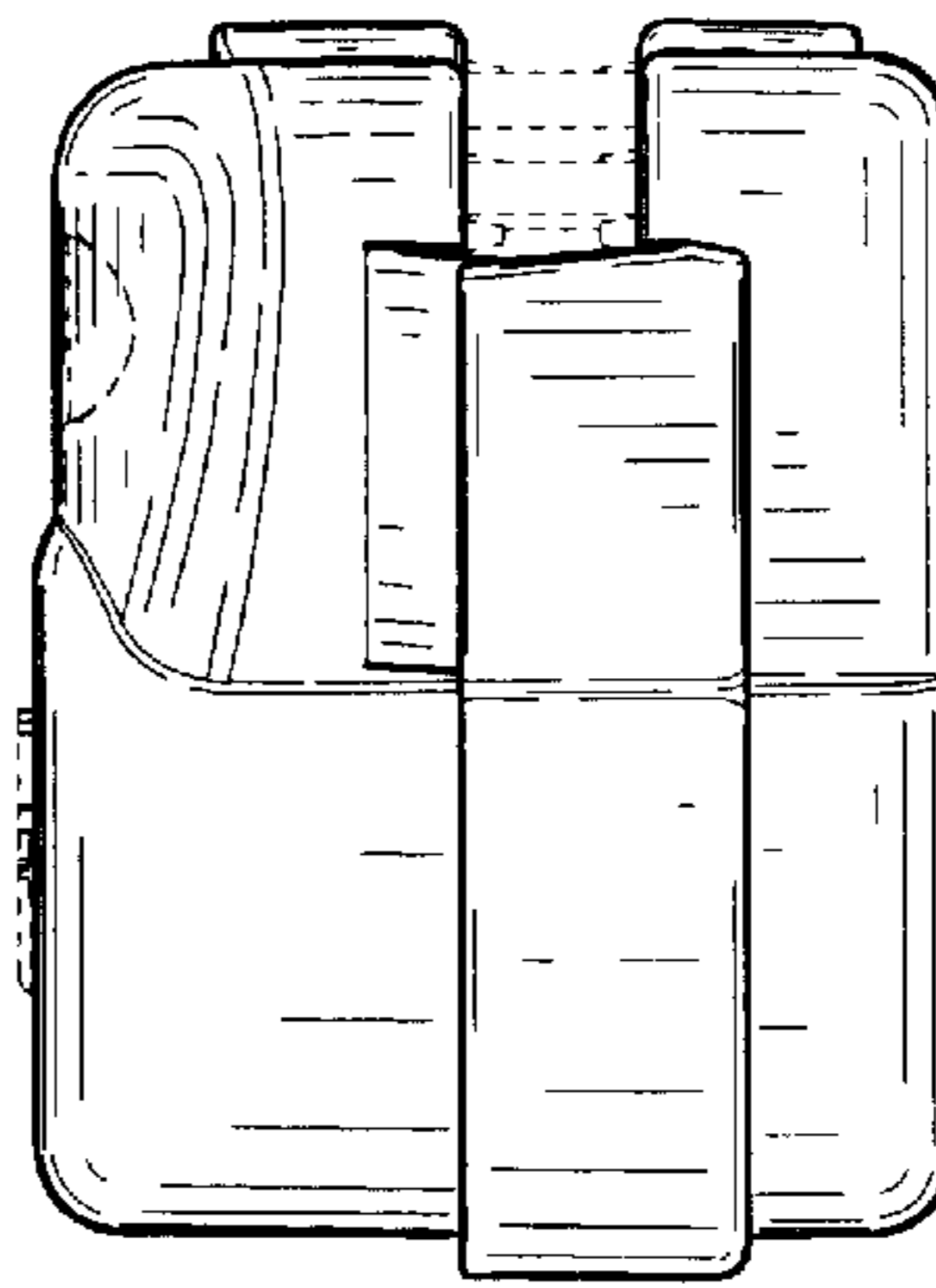


Figure 16