



US00D485594S

(12) **United States Design Patent**
Kelsoe

(10) **Patent No.:** **US D485,594 S**

(45) **Date of Patent:** **** Jan. 20, 2004**

(54) **BOW SIGHT PROTECTING COVER**

(76) Inventor: **Clifton W. Kelsoe**, 1338 Alabama Hwy.
157, Danville, AL (US) 35619

(**) Term: **14 Years**

(21) Appl. No.: **29/159,913**

(22) Filed: **Apr. 30, 2002**

(51) **LOC (7) Cl.** **22-01**

(52) **U.S. Cl.** **D22/107**

(58) **Field of Search** D22/100, 107,
D22/199; 33/265; 206/315.11; 150/154;
124/86, 87, 25.5; D28/78

(56) **References Cited**

U.S. PATENT DOCUMENTS

D270,578 S	*	9/1983	Washington, Jr.	D28/78
4,785,791 A		11/1988	Sloop		
4,984,372 A	*	1/1991	Blizzard	33/265
5,253,423 A	*	10/1993	Sullivan, Jr. et al.	33/265
5,653,217 A	*	8/1997	Keller	124/87
5,749,352 A		5/1998	McFarlin		
6,453,898 B1	*	9/2002	Altmann et al.	124/87

* cited by examiner

Primary Examiner—Louis S. Zarfaz

Assistant Examiner—Monica A. Weingart

(74) *Attorney, Agent, or Firm*—Lanier Ford Shaver &
Payne P.C.; Charles R. Ducker, Jr.

(57) **CLAIM**

I claim the design for a bow sight protecting cover, as shown and described.

DESCRIPTION

FIG. 1 is a front left side perspective view of the bow sight protecting cover of the present invention in place on a bow sight;

FIG. 2 is a front left side perspective view thereof with said bow sight cover in an unfastened position thereof;

FIG. 3 is a front elevation view thereof;

FIG. 4 is a rear elevation view thereof;

FIG. 5 is a left side elevation view thereof;

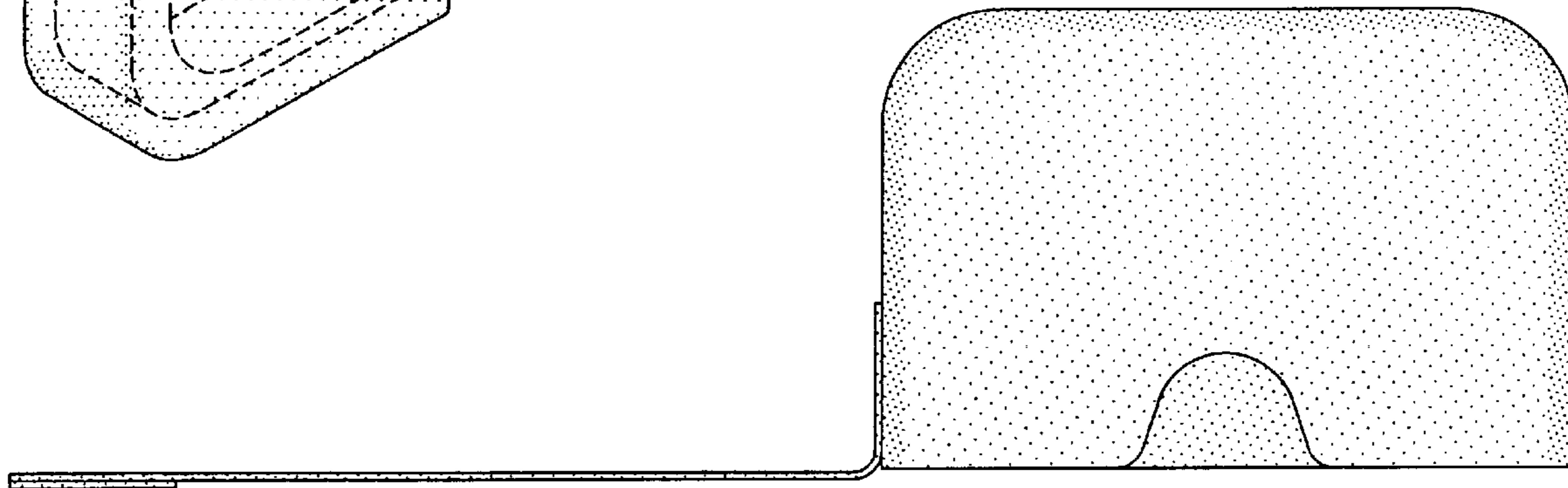
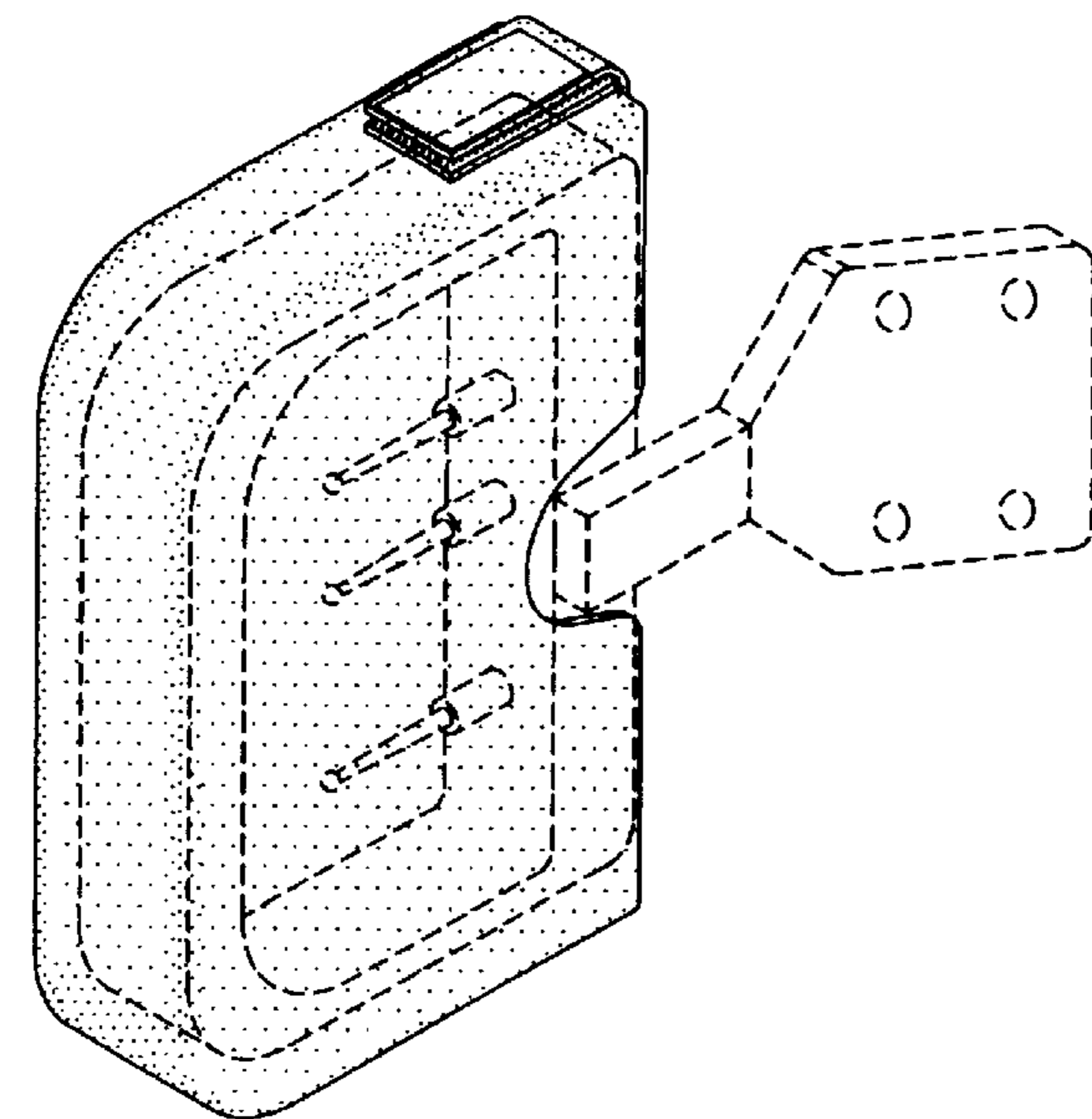
FIG. 6 is a right side elevation view thereof;

FIG. 7 is a top plan view thereof; and,

FIG. 8 is a bottom plan view thereof.

The broken line showing of a bow sight, in FIGS. 1 and 2, is for illustrative purposes only and forms no part of the claimed design.

1 Claim, 2 Drawing Sheets



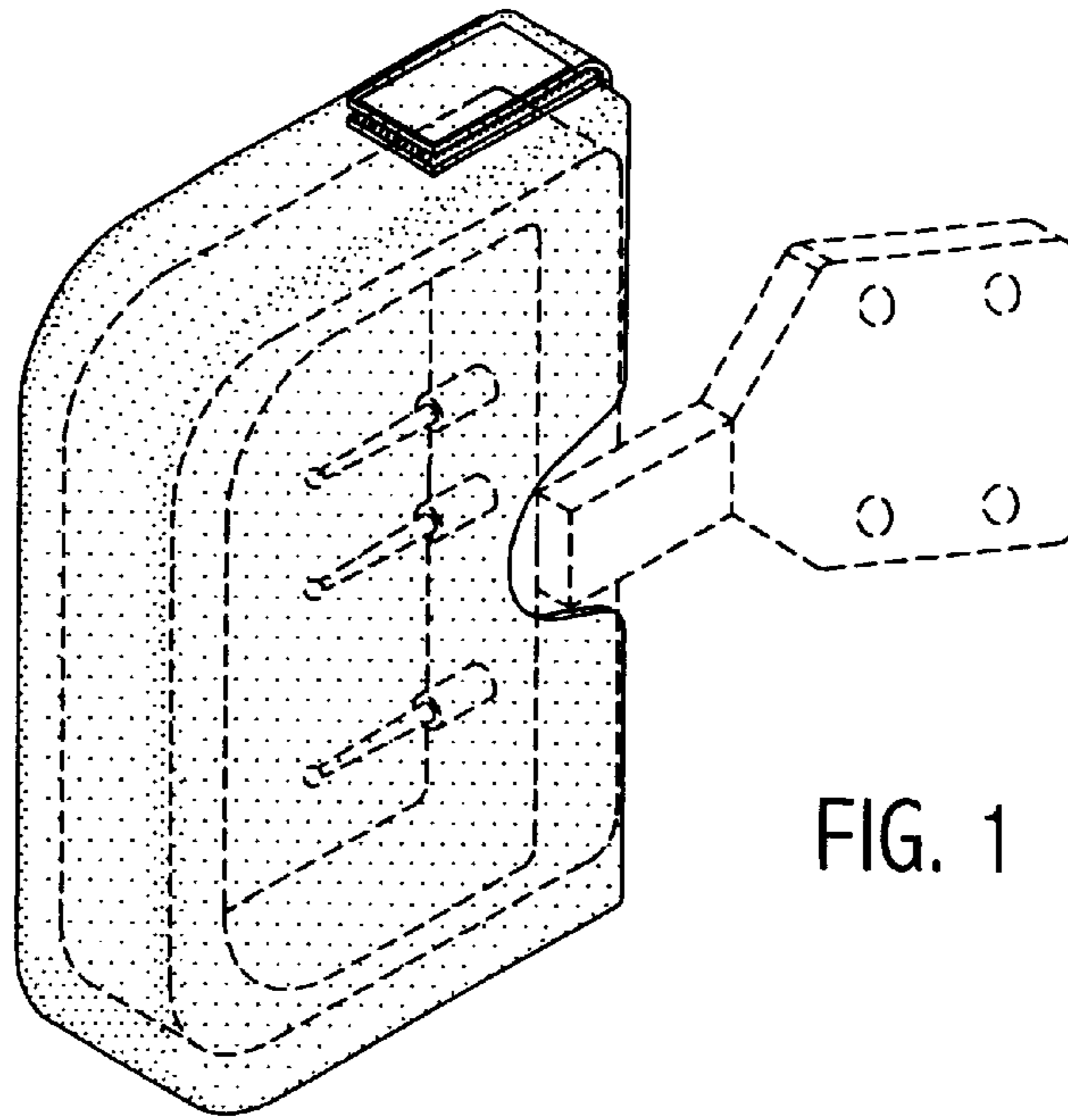


FIG. 1

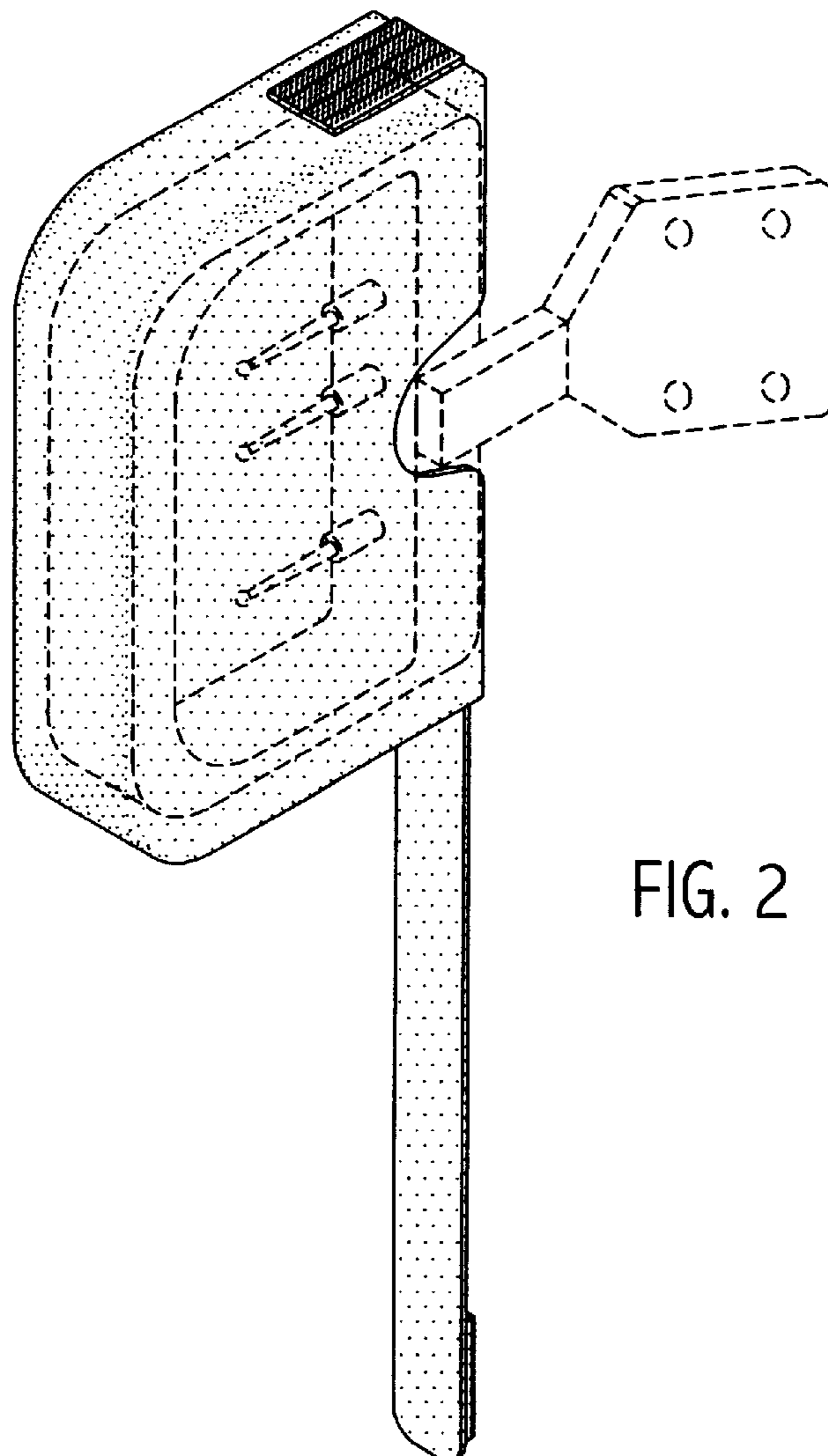


FIG. 2

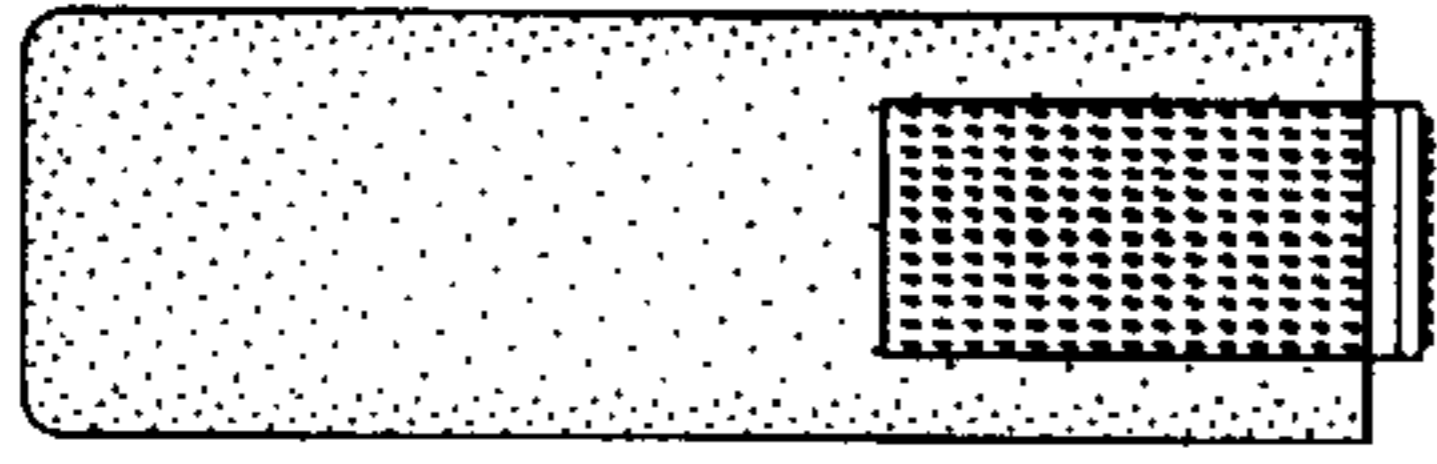


FIG. 6

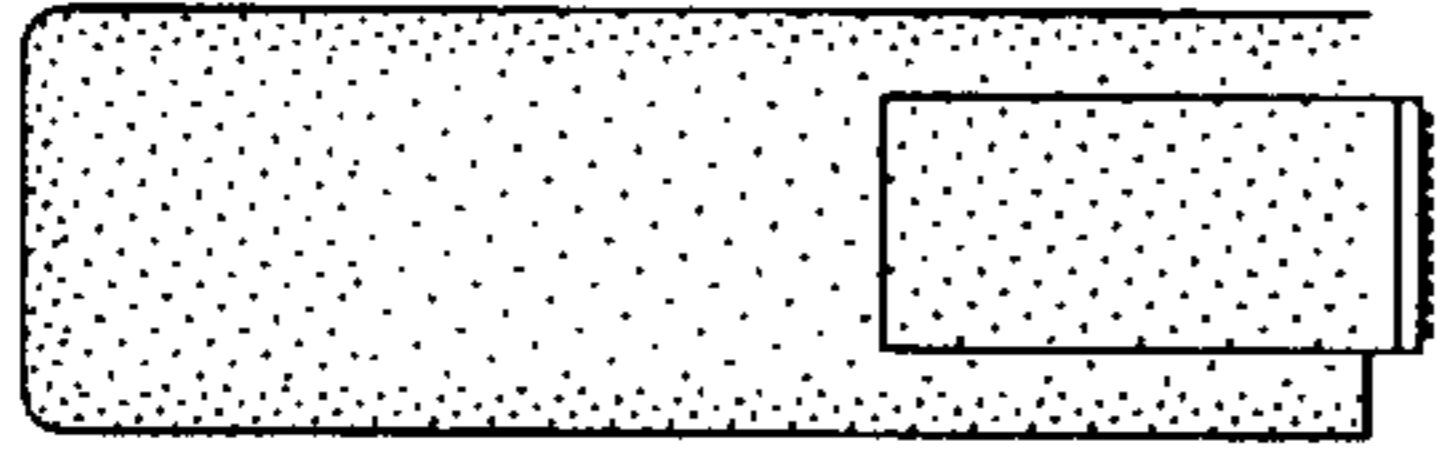


FIG. 5

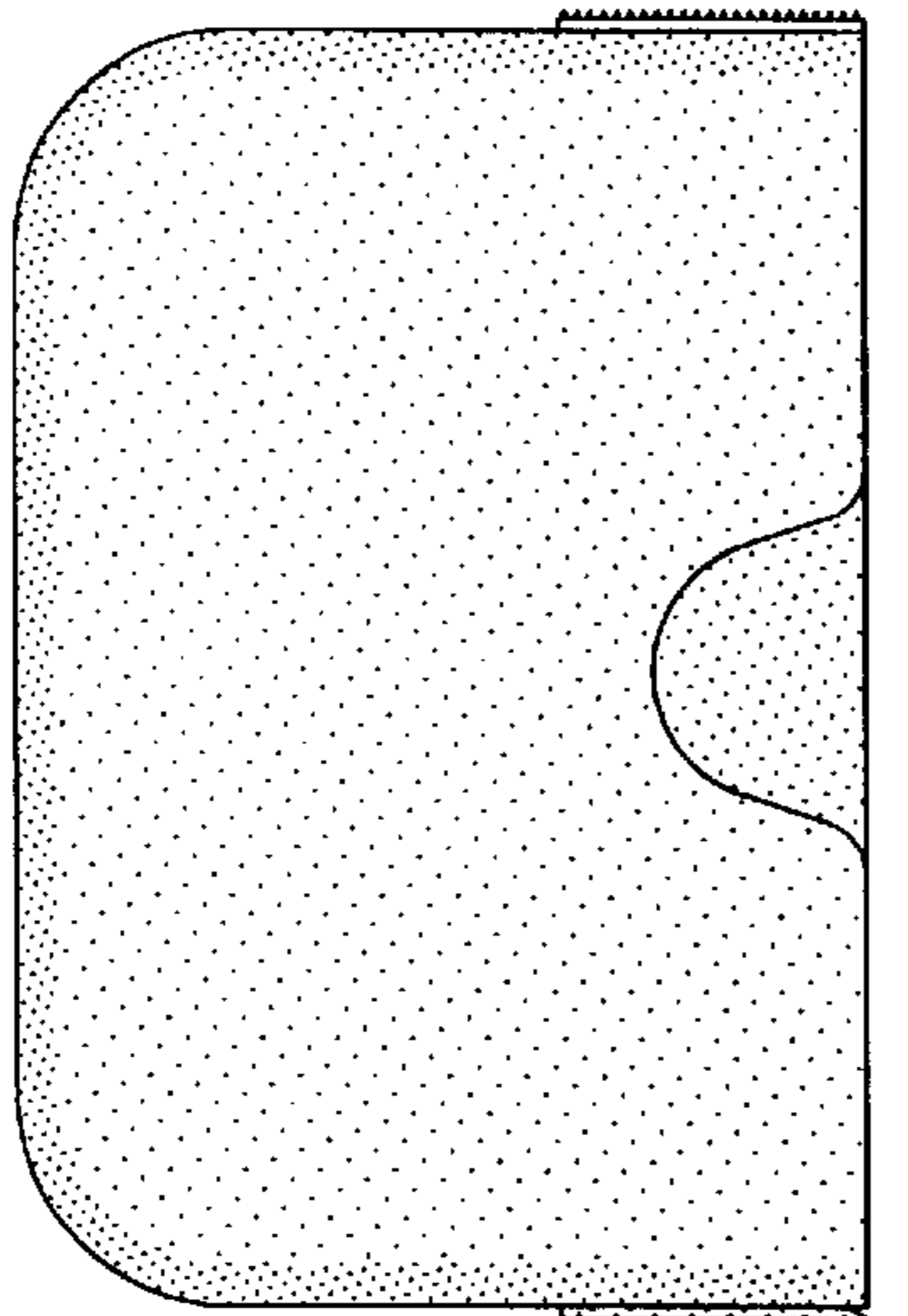


FIG. 3

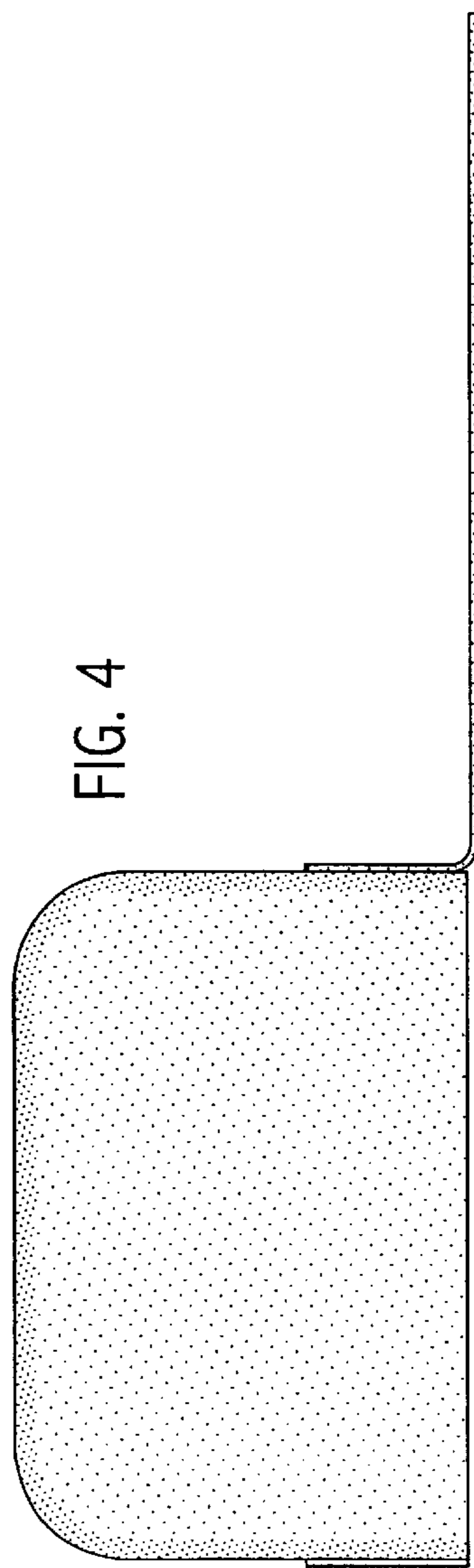


FIG. 4

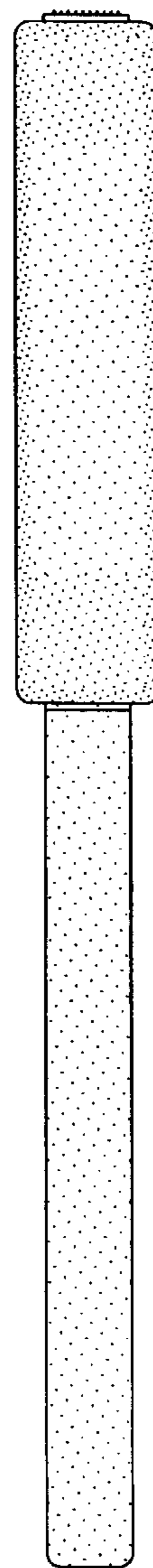


FIG. 7

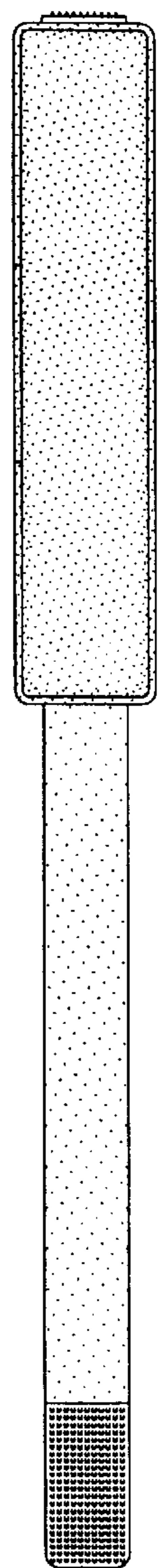


FIG. 8