



US00D485590S

(12) **United States Design Patent**  
**Poegel, Jr.**

(10) **Patent No.:** **US D485,590 S**  
(45) **Date of Patent:** **\*\* Jan. 20, 2004**

(54) **TRAINING BASKETBALL**

(76) Inventor: **Marvin Loren Poegel, Jr.**, 2836 Pine View Blvd., Motley, MN (US) 56466

(\*\*) Term: **14 Years**

(21) Appl. No.: **29/150,384**

(22) Filed: **Nov. 21, 2001**

(51) **LOC (7) Cl.** ..... **21-02**

(52) **U.S. Cl.** ..... **D21/714; D21/713**

(58) **Field of Search** ..... D21/707, 713, D21/714, 781; 473/569, 593, 596, 604, 605, 609, 610, 611, 472, FOR 134, FOR 143, FOR 148, FOR 149, FOR 152, FOR 155; 482/92, 93; 434/248, 257; 40/327

(56) **References Cited**

**U.S. PATENT DOCUMENTS**

3,858,876	A	*	1/1975	Williams	.....	473/450
4,345,759	A	*	8/1982	Nims	.....	473/569
D329,479	S	*	9/1992	Williams	.....	D21/714
D329,673	S		9/1992	Williams		
D329,674	S		9/1992	Williams		
D386,227	S	*	11/1997	Hegenbarth et al.	.....	D21/714
D386,228	S		11/1997	Hegenbarth et al.		
D387,403	S		12/1997	Hegenbarth et al.		
D395,690	S	*	6/1998	Villavicencio	.....	D21/204

**FOREIGN PATENT DOCUMENTS**

GB DES. 2035146 \* 11/1993 ..... 21/2

**OTHER PUBLICATIONS**

Hands-On™ Basketball, *Sportime Elementary*, p. 249 (Fall 2001).

Rite-Way, *Greg Larson Sports*, p. 67 (2001).

\* cited by examiner

*Primary Examiner*—Philip S. Hyder

*Assistant Examiner*—C Tuttle

(74) *Attorney, Agent, or Firm*—Merchant & Gould PC

(57) **CLAIM**

The ornamental design for a training basketball, as shown and described.

**DESCRIPTION**

FIG. 1 is a front elevational view of the training basketball for right hand showing my new design;  
 FIG. 2 is a rear elevational view thereof;  
 FIG. 3 is a top plan view thereof;  
 FIG. 4 is a bottom plan view thereof;  
 FIG. 5 is a left side elevational view thereof;  
 FIG. 6 is a right side elevational view thereof;  
 FIG. 7 is a front elevational view of a second embodiment of the training basketball for the left hand showing my new design;  
 FIG. 8 is a rear elevational view thereof;  
 FIG. 9 is a top plan view thereof;  
 FIG. 10 is a bottom plan view thereof;  
 FIG. 11 is a right side elevational view thereof; and,  
 FIG. 12 is a left side elevational view thereof.

**1 Claim, 6 Drawing Sheets**

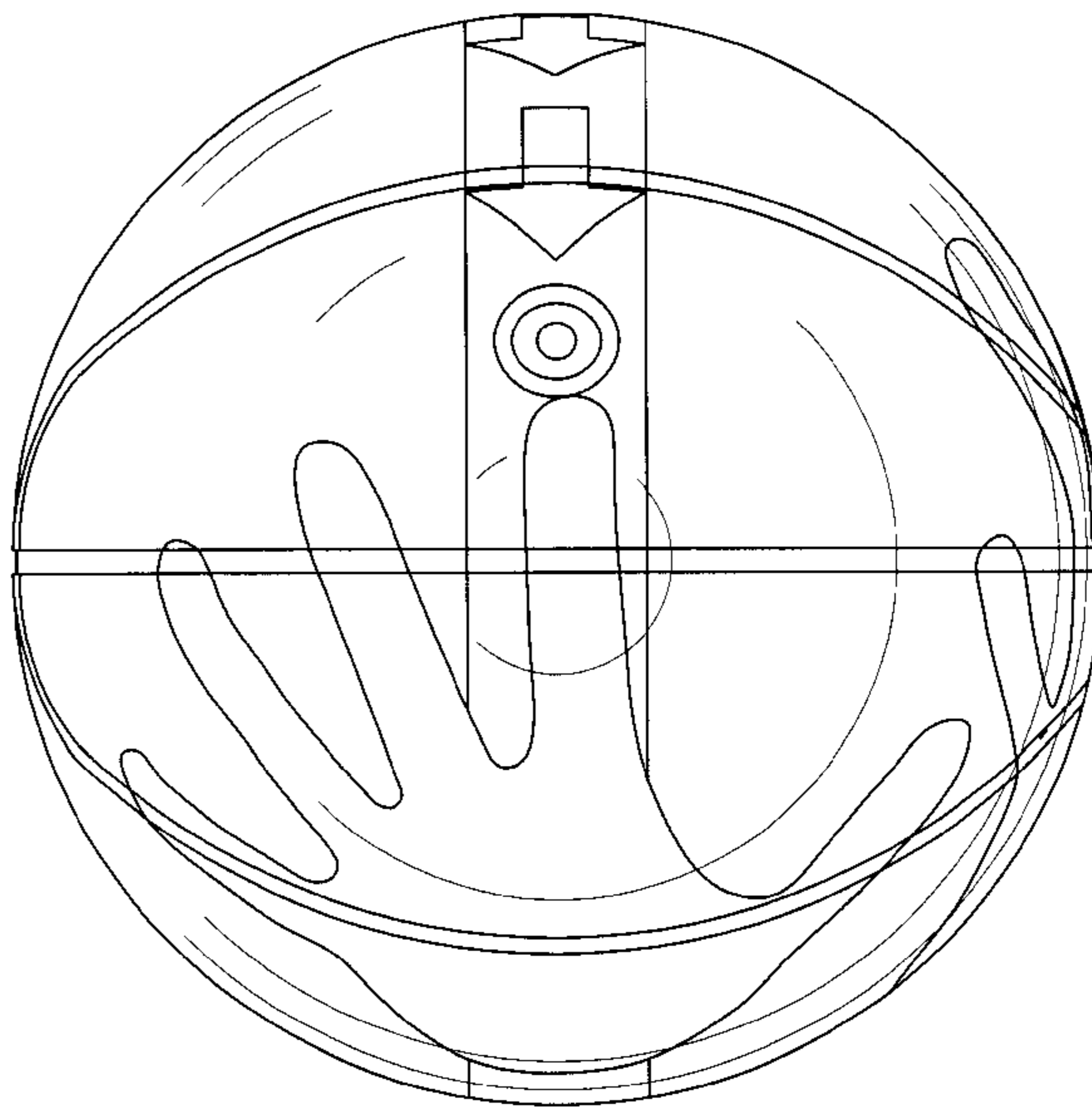
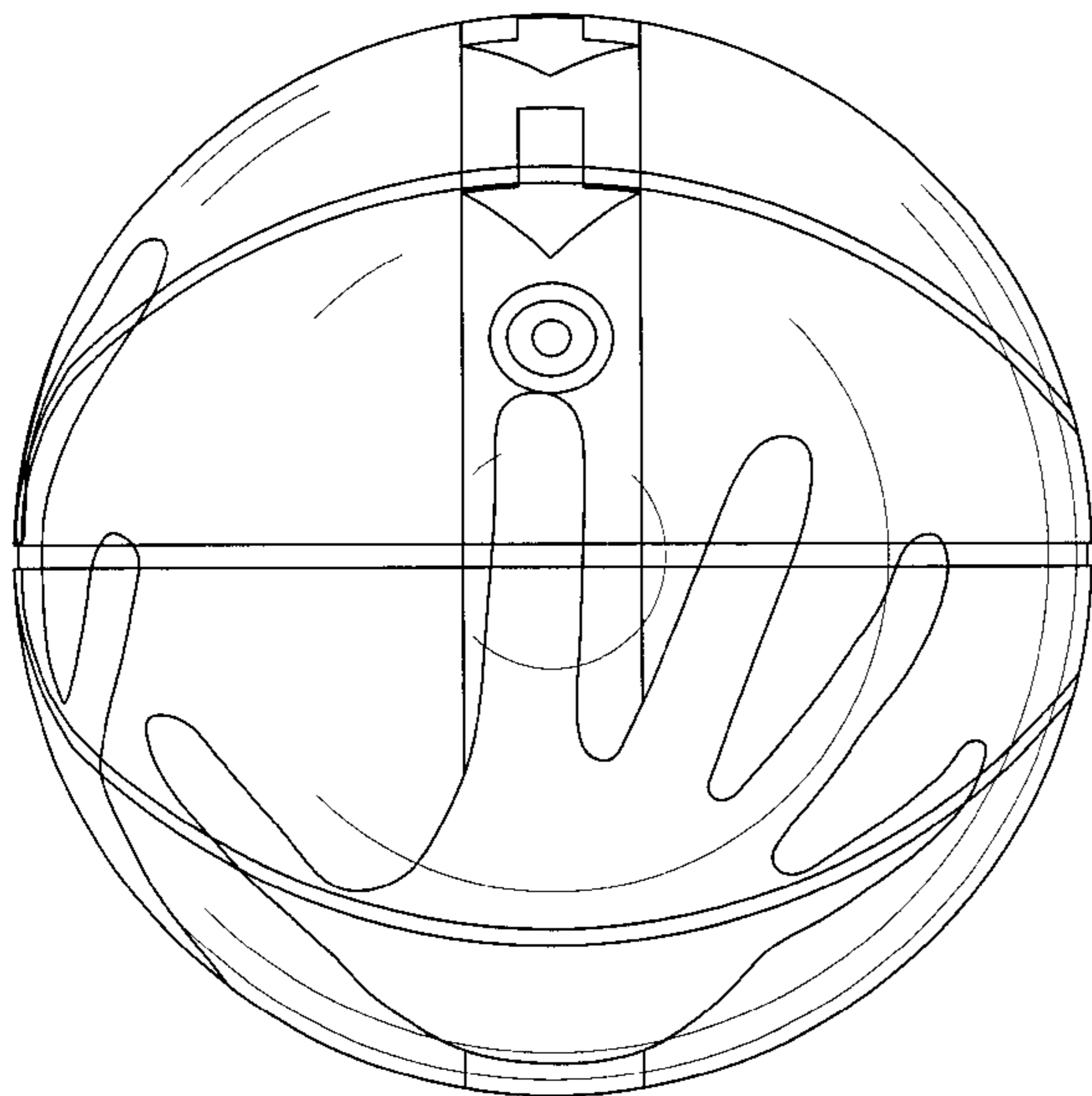


FIG. 1

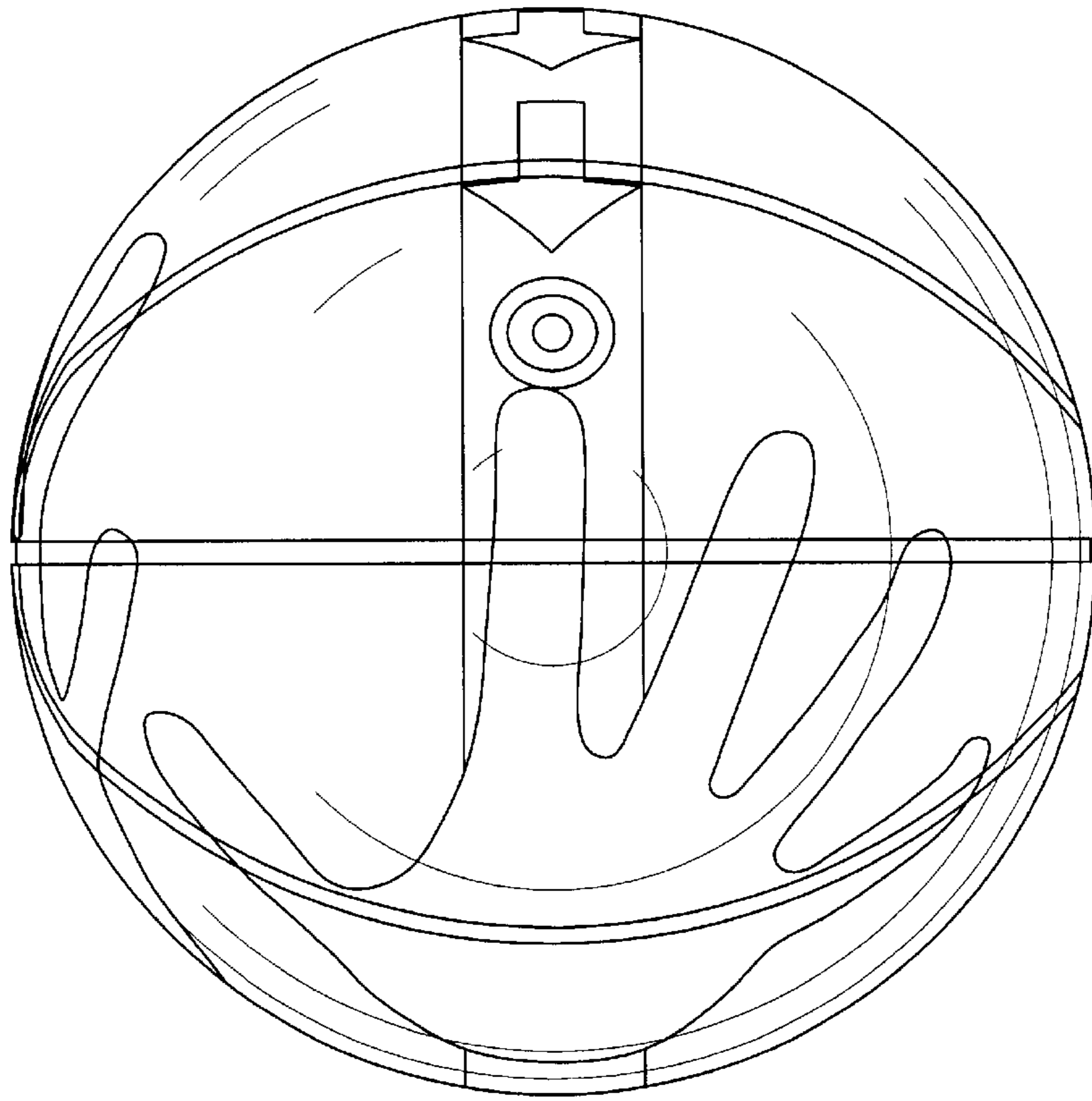


FIG. 2

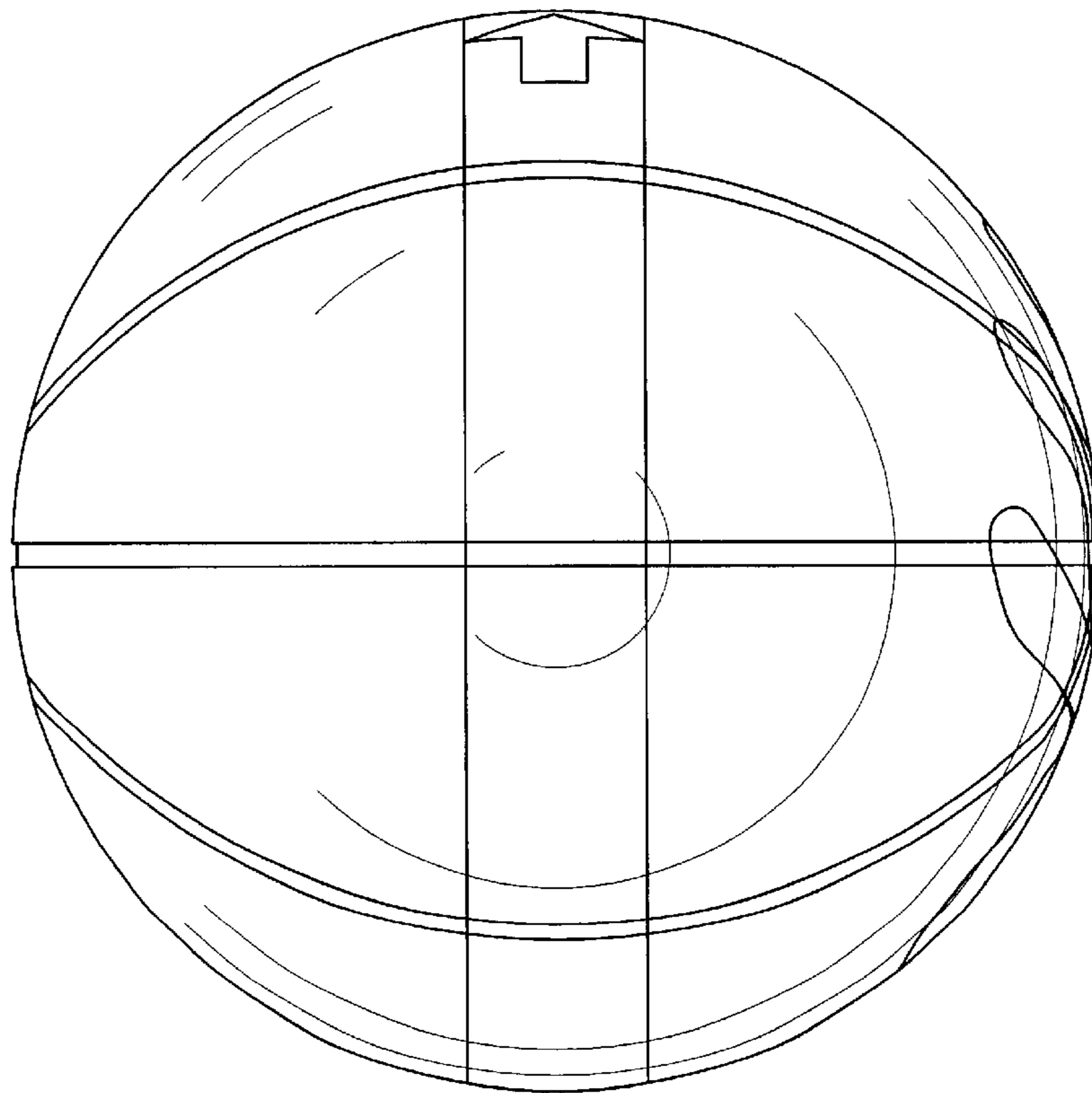


FIG.3

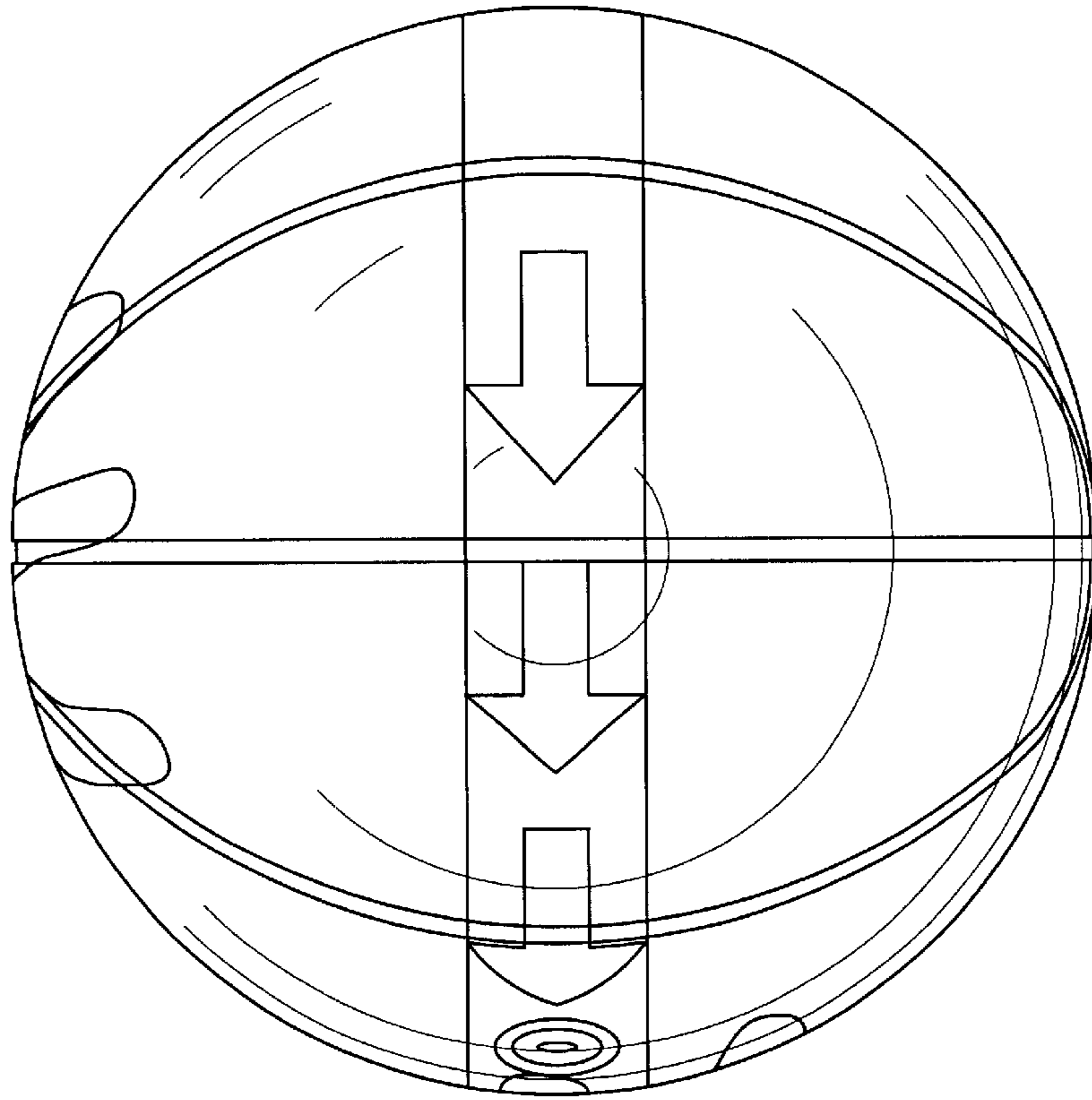


FIG.4

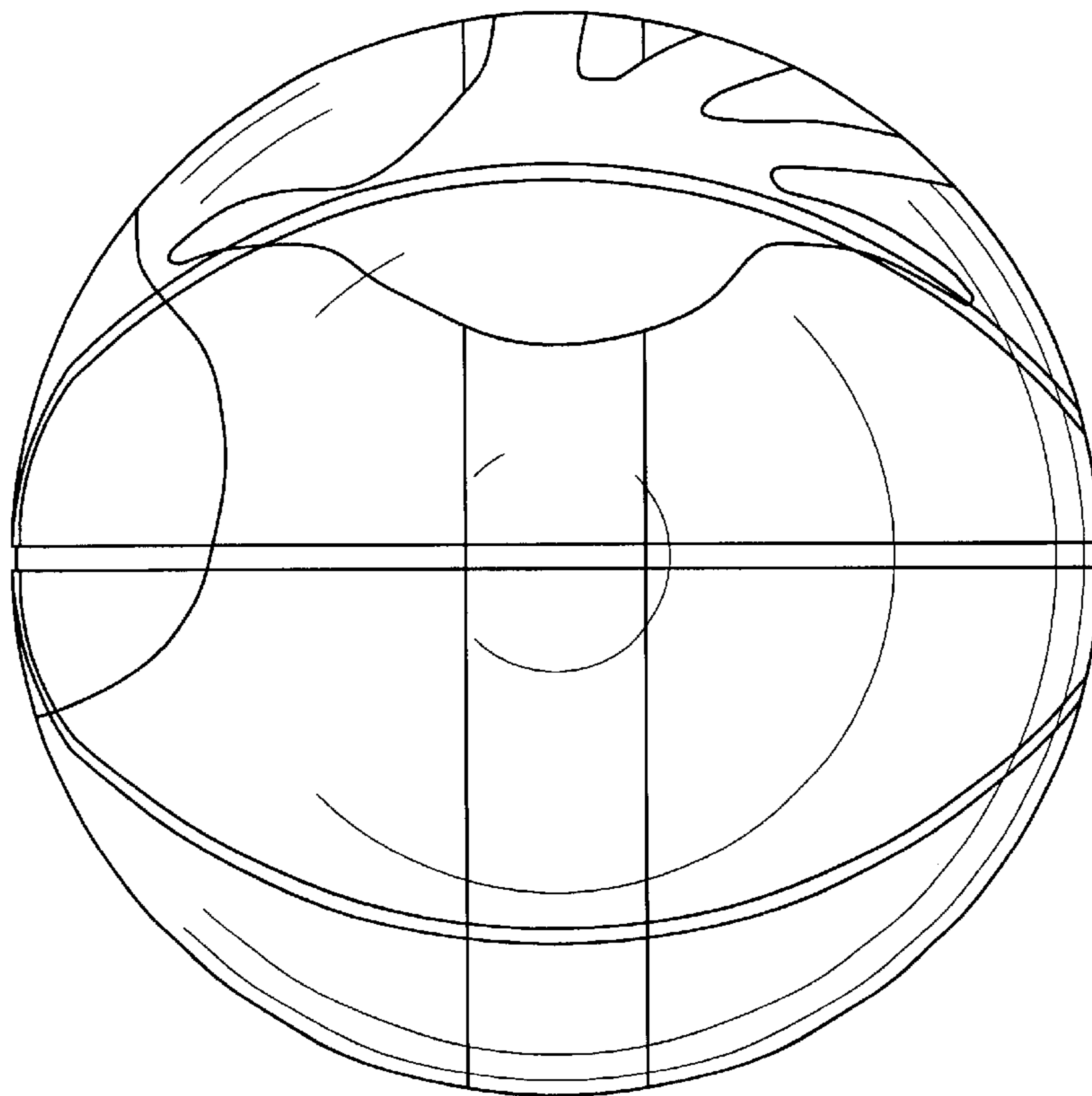


FIG.5

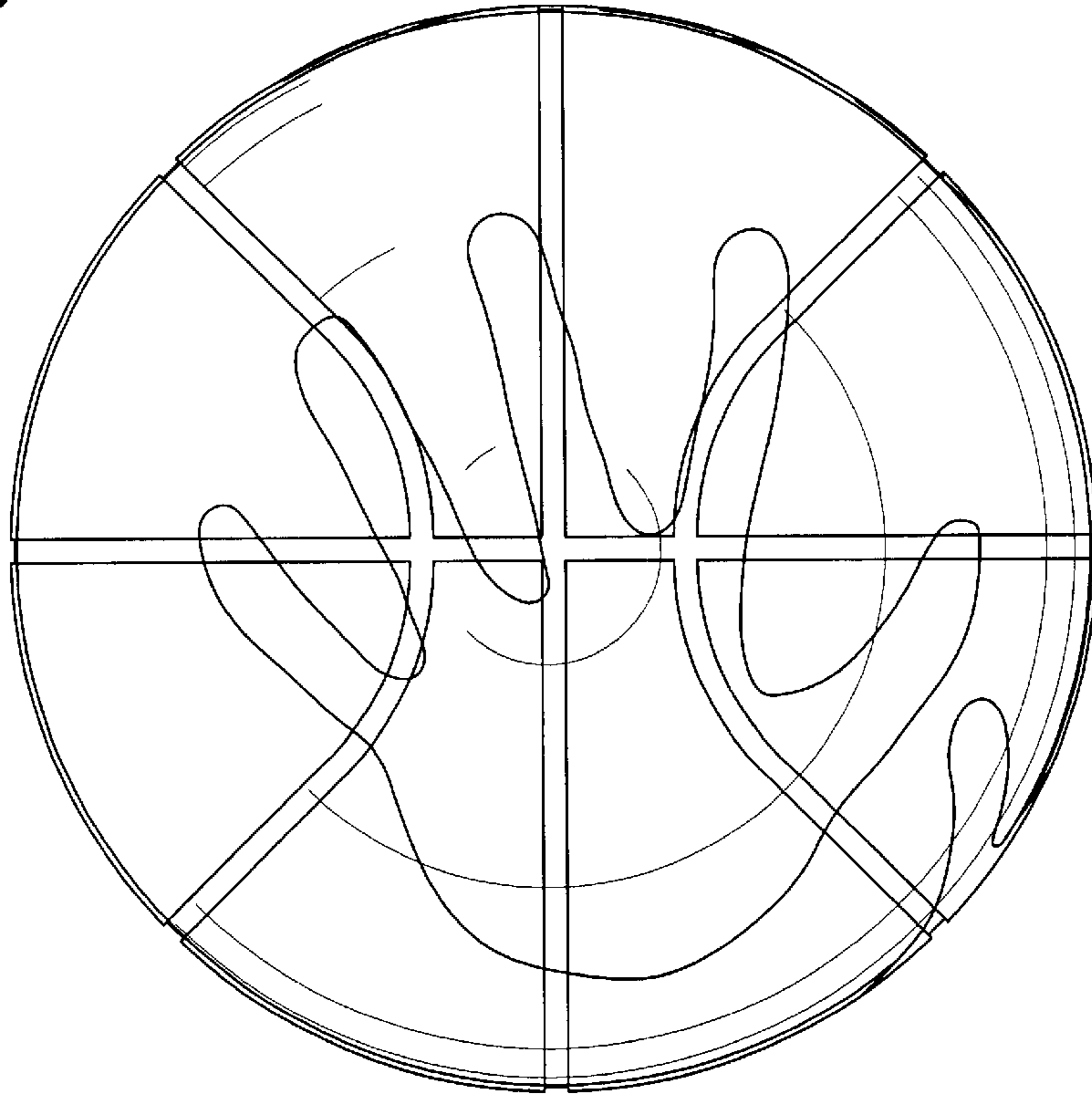


FIG.6

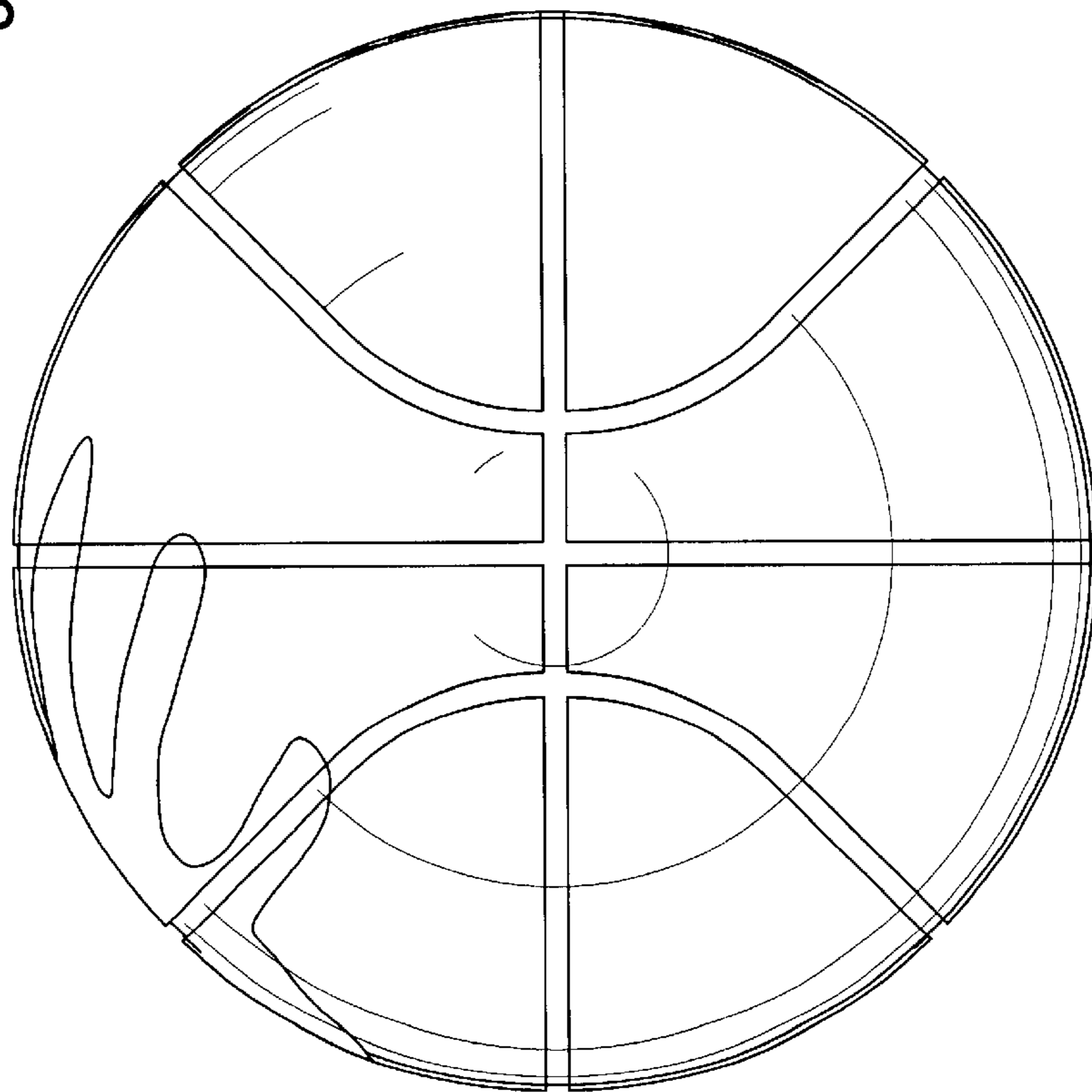


FIG.7

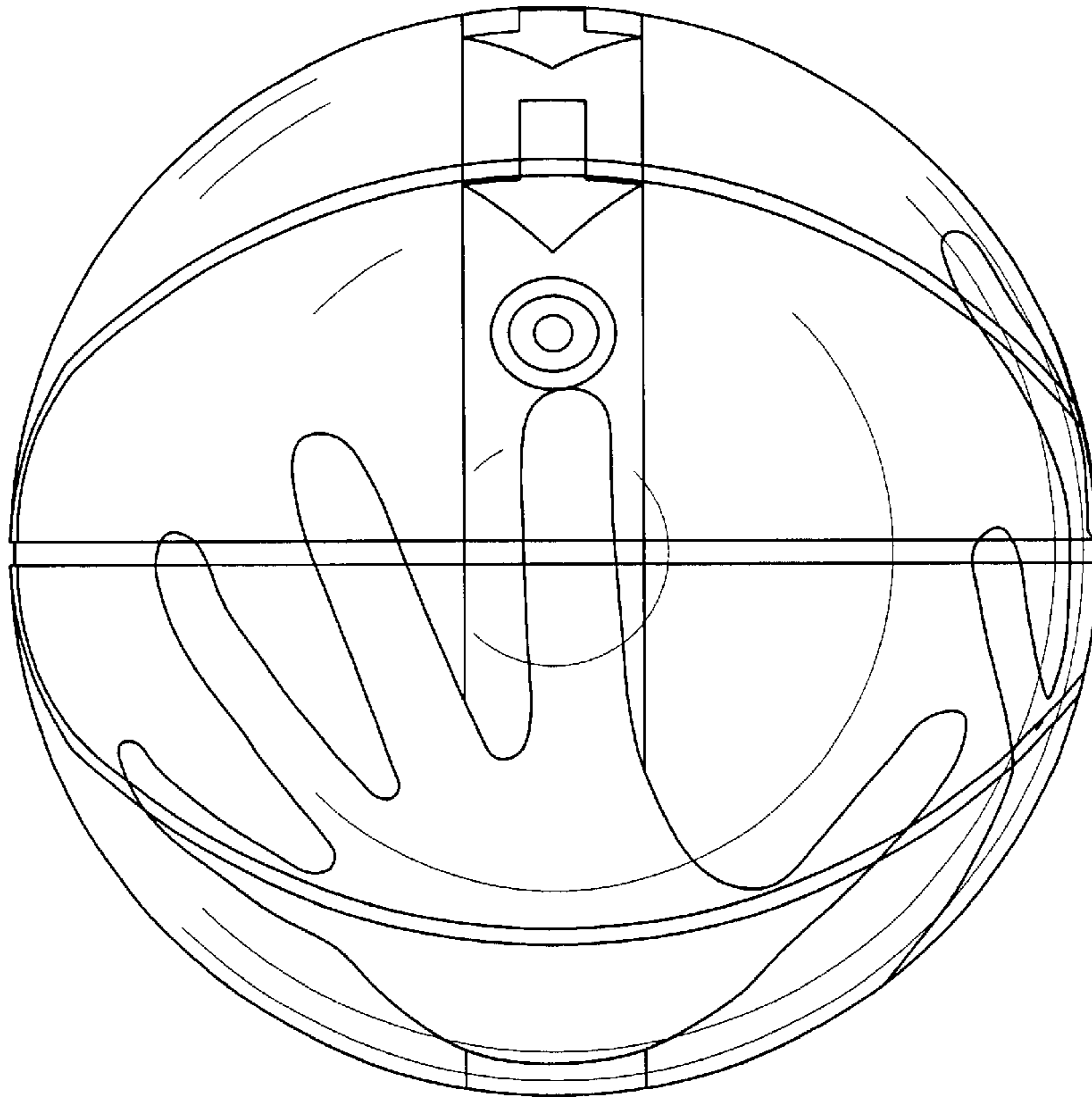


FIG.8

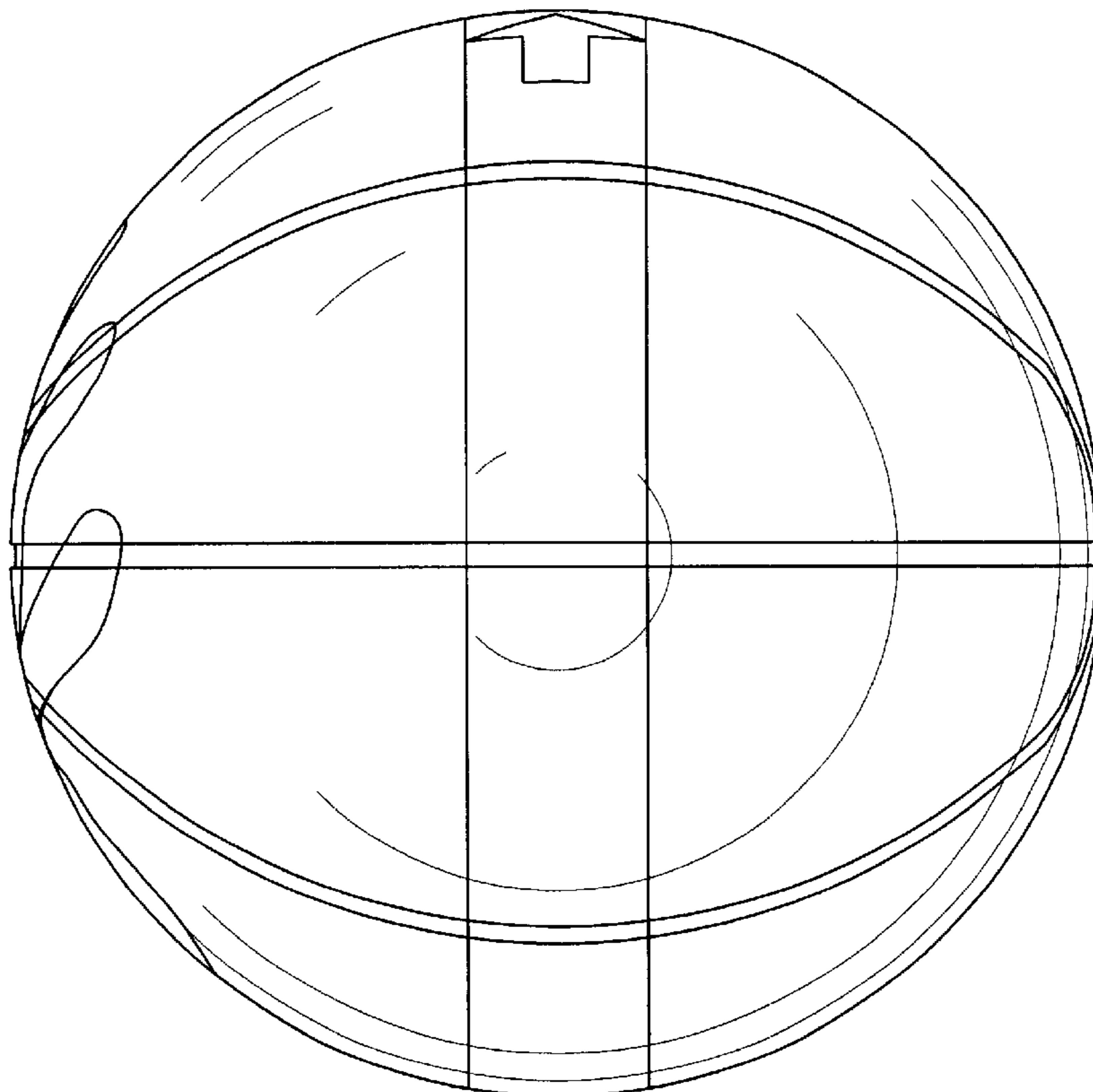


FIG.9

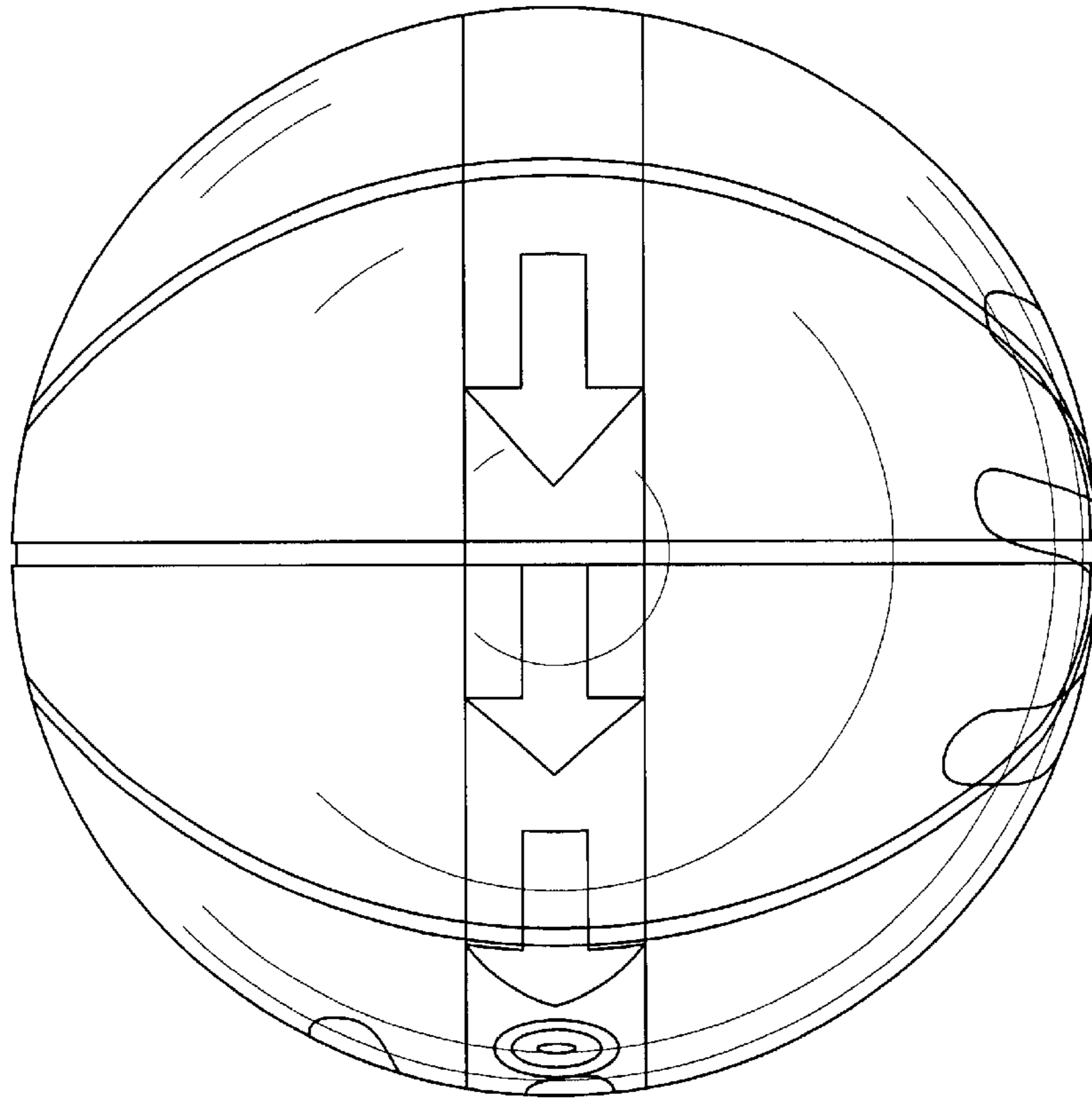


FIG.10

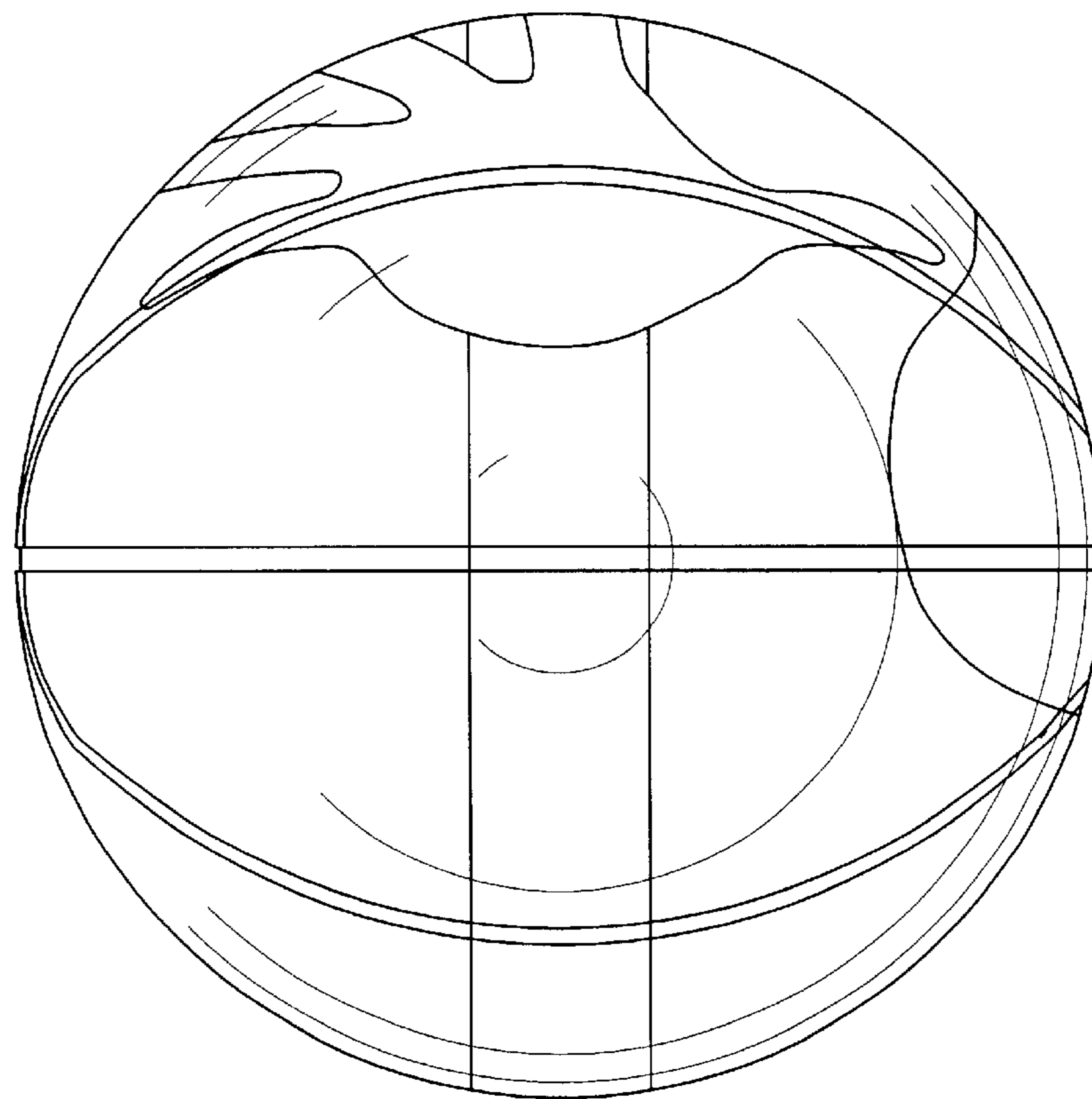


FIG.11

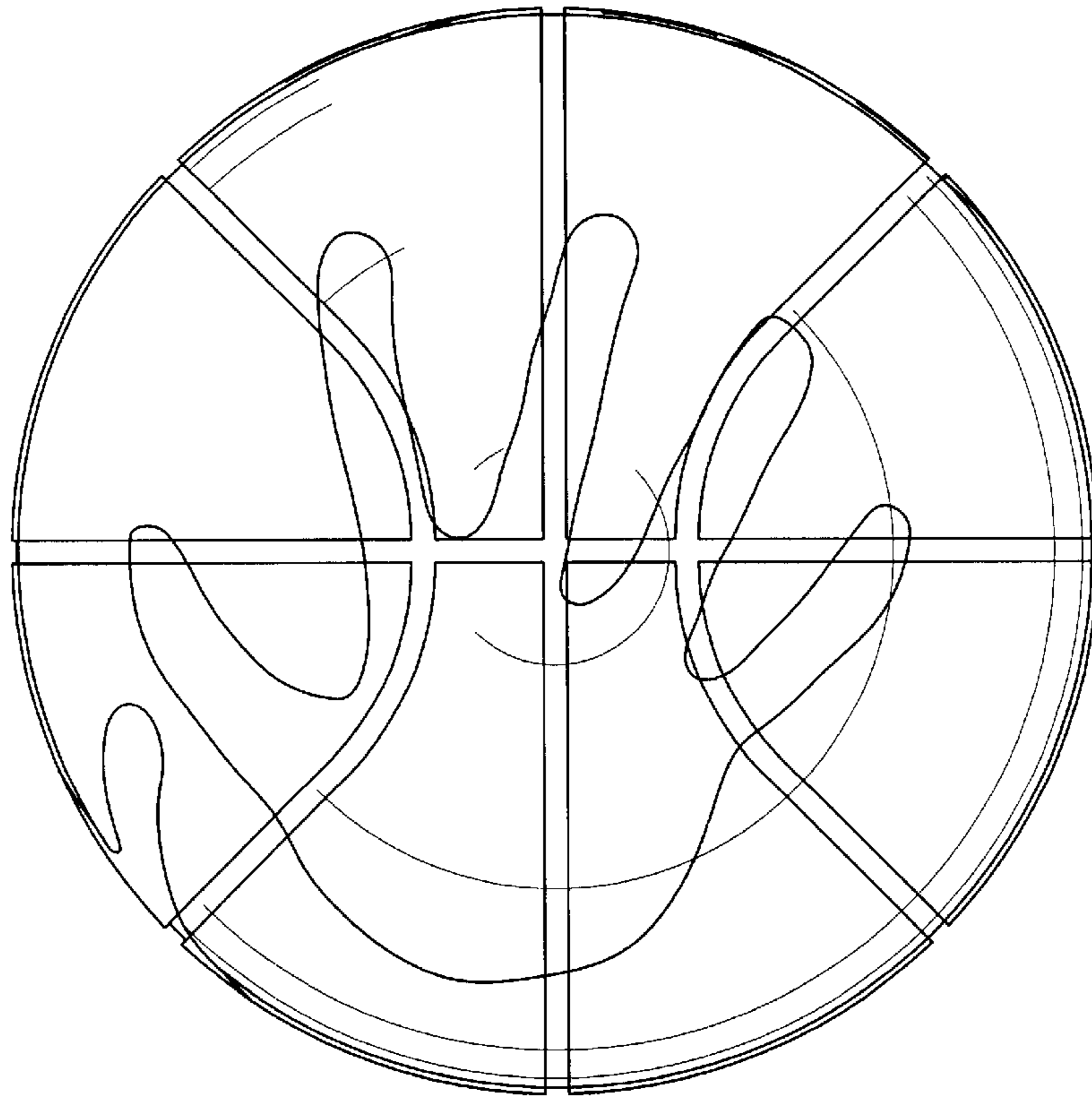


FIG.12

