



US00D485589S

(12) **United States Design Patent**
Briganti

(10) **Patent No.:** **US D485,589 S**

(45) **Date of Patent:** **** Jan. 20, 2004**

(54) **DISPLAY FOR FITNESS MACHINES**

(75) Inventor: **Silvano Briganti**, Cesenatico (IT)

(73) Assignee: **BCUBE S.p.A.**, Cesenatico (IT)

(**) Term: **14 Years**

(21) Appl. No.: **29/165,017**

(22) Filed: **Aug. 1, 2002**

(30) **Foreign Application Priority Data**

Feb. 5, 2002 (IT) TO20020030 0 U

(51) **LOC (7) Cl.** **21-02**

(52) **U.S. Cl.** **D21/696**

(58) **Field of Search** D21/663, 664,
D21/668, 670, 694; 482/51, 54, 57, 59,
60

(56) **References Cited**

U.S. PATENT DOCUMENTS

- D407,771 S * 4/1999 Garza D21/694
- D412,192 S * 7/1999 Birrell et al. D21/696
- D427,156 S * 6/2000 Arnold et al. D13/162

D429,509 S * 8/2000 Garza D21/696

D438,579 S * 3/2001 Arnold et al. D21/696

D444,828 S * 7/2001 Matsumoto D21/696

D454,931 S * 3/2002 Fon D21/696

D459,421 S * 6/2002 Lee D21/696

* cited by examiner

Primary Examiner—Philip S. Hyder

(74) *Attorney, Agent, or Firm*—Merchant & Gould, P.C.

(57) **CLAIM**

The ornamental design for a display for fitness machines, as show and described.

DESCRIPTION

FIG. 1 is a front elevational view of the display for fitness machines, which is the object of the present design;

FIG. 2 is a top plan view thereof;

FIG. 3 is a bottom plan view thereof;

FIG. 4 is a rear plan view thereof;

FIG. 5 is a lateral elevational view from one side thereof;

FIG. 6 is a lateral elevational view from one side thereof;

and,

FIG. 7 is a perspective view thereof.

1 Claim, 3 Drawing Sheets

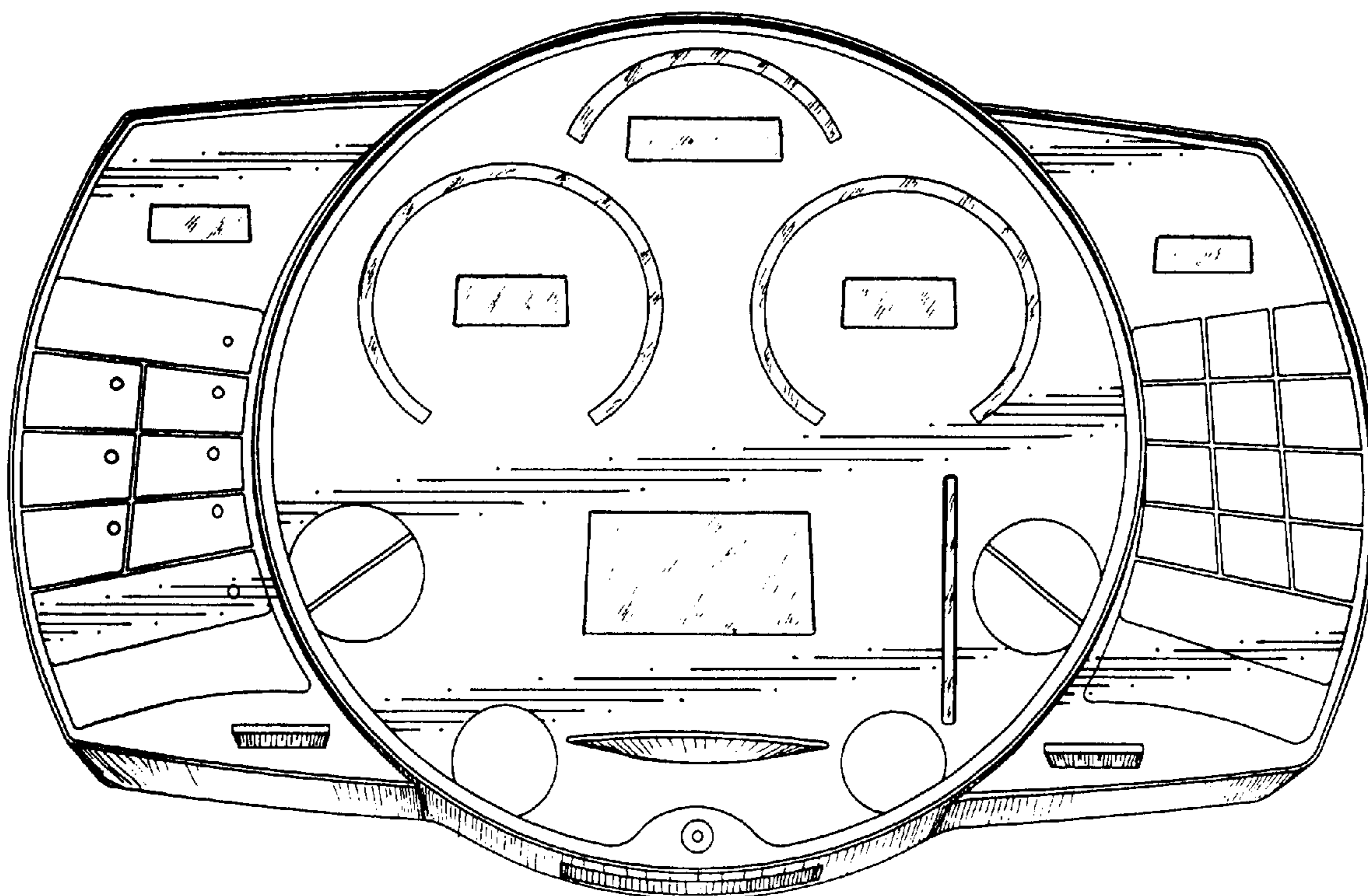


Fig. 1

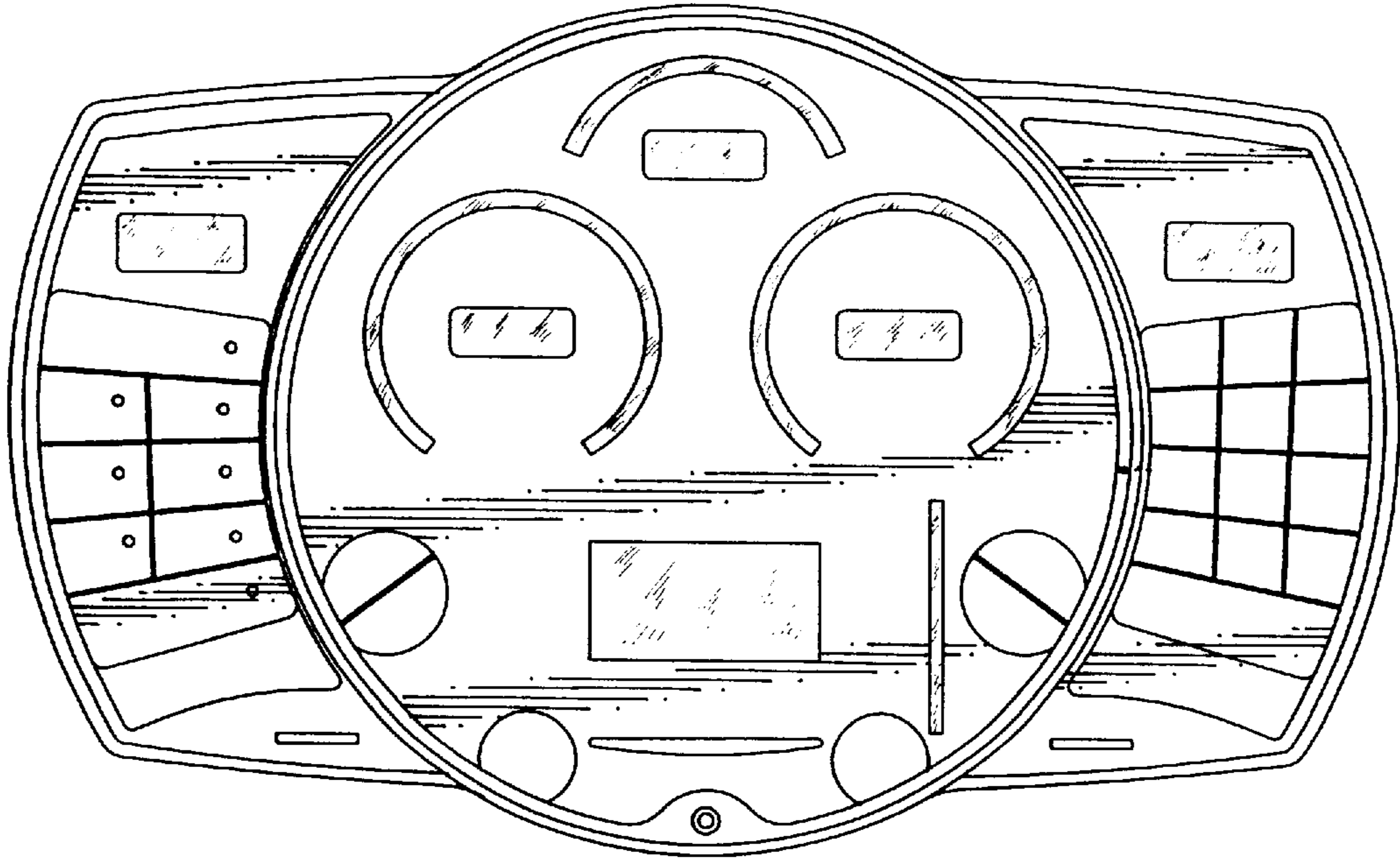


Fig. 2

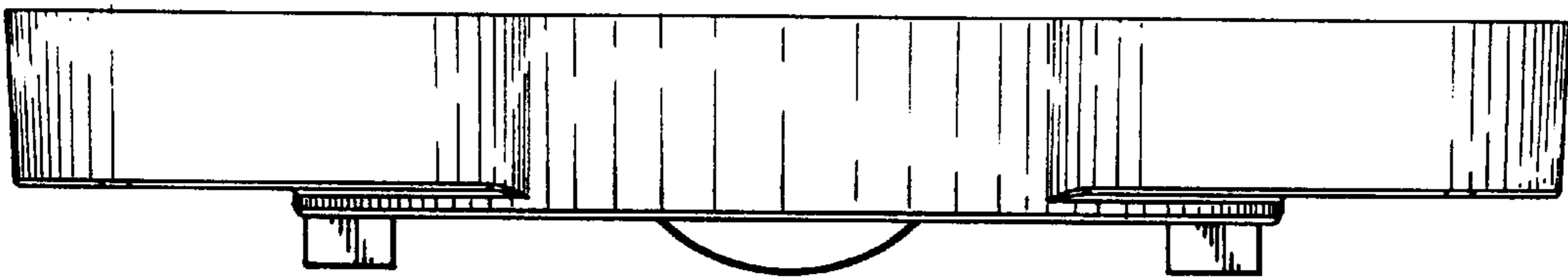


Fig. 3

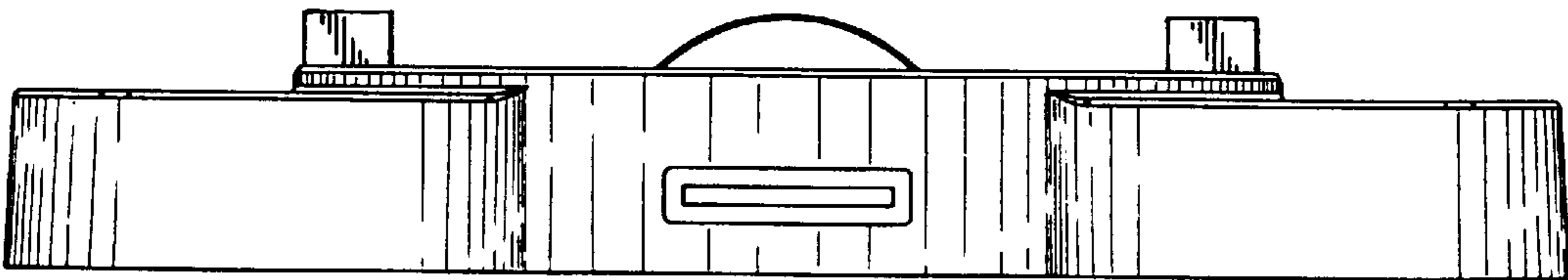


Fig. 4

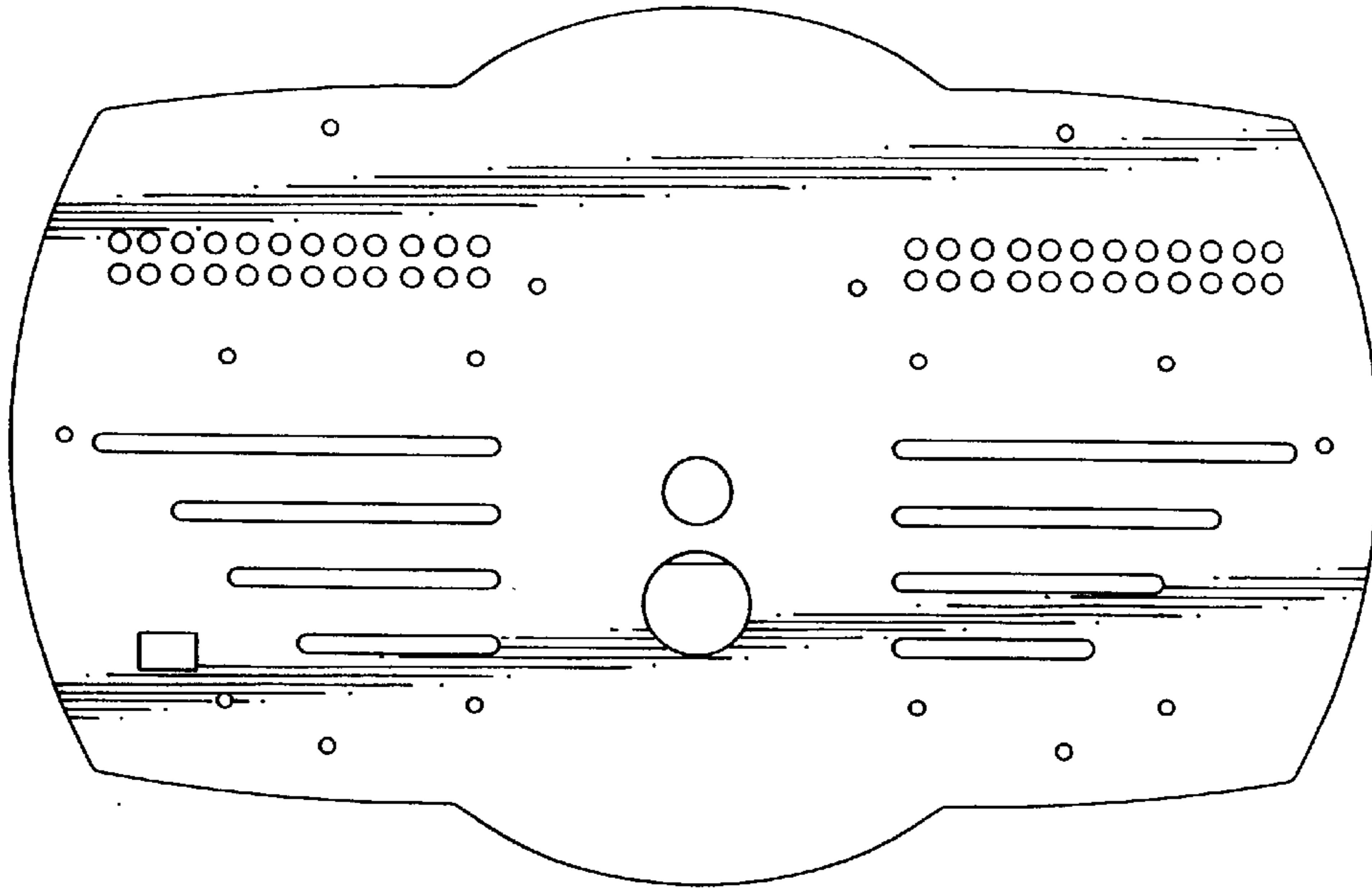


Fig. 5

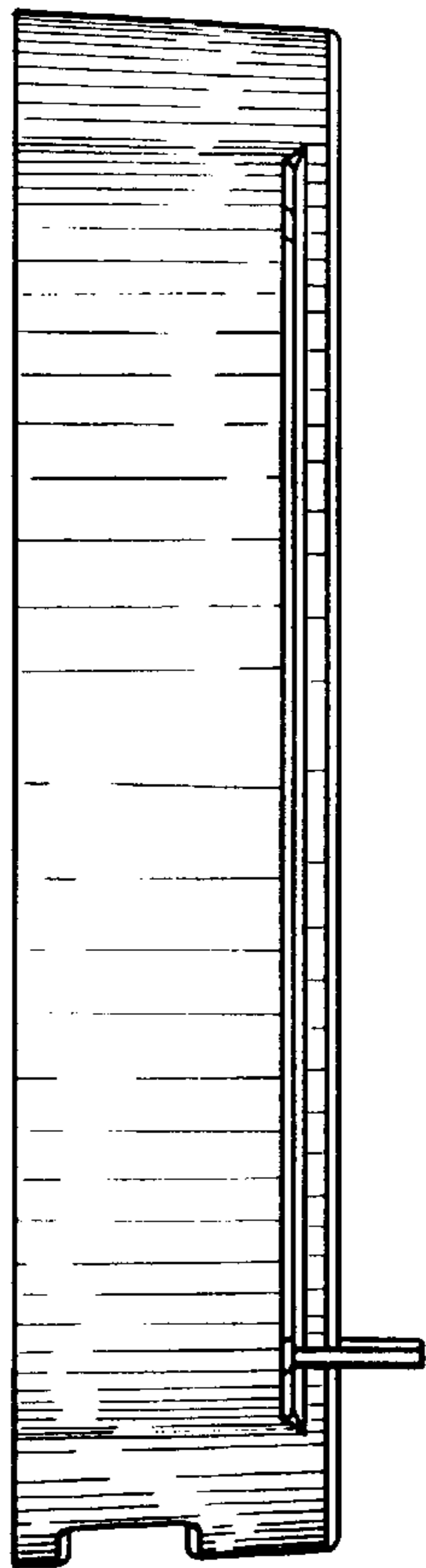
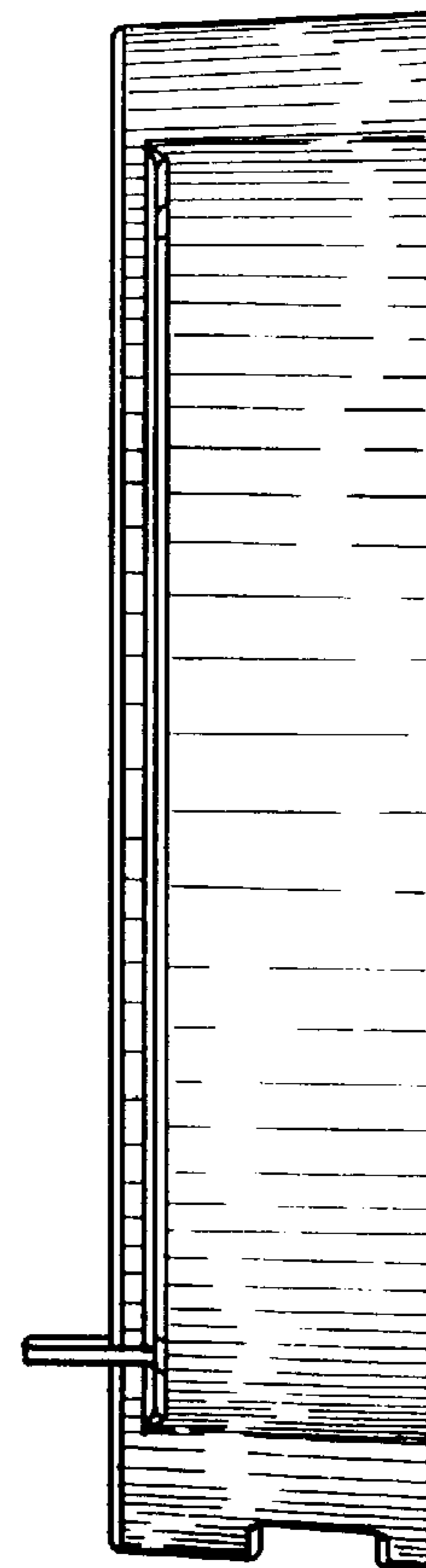


Fig. 6



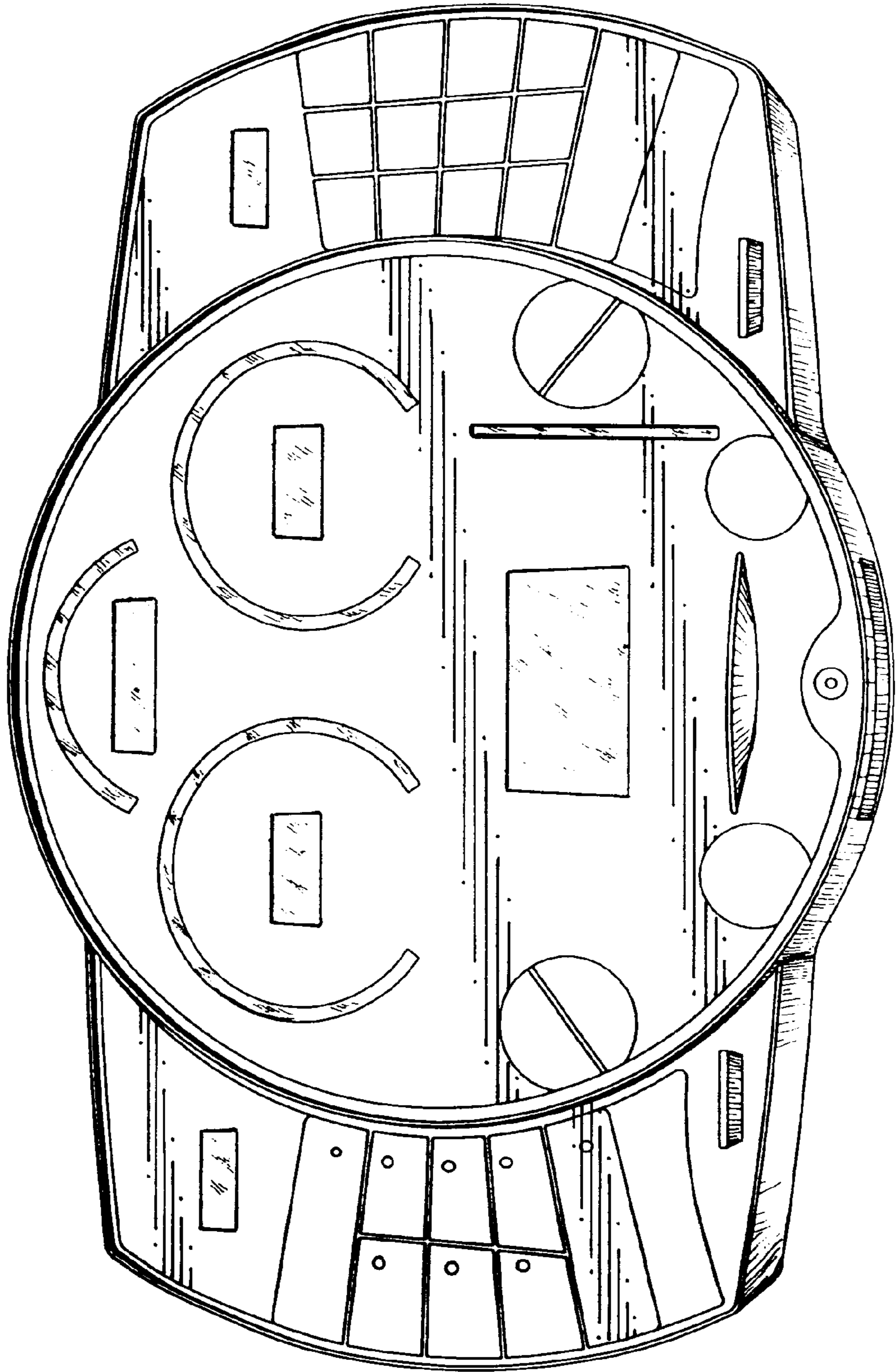


Fig. 7