



US00D485587S

(12) **United States Design Patent**  
**Hui**

(10) **Patent No.:** **US D485,587 S**

(45) **Date of Patent:** **\*\* Jan. 20, 2004**

(54) **RADIO FREQUENCY TOY CONTROLLER**

(75) **Inventor:** **Wai Hui, Kowloon (CN)**

(73) **Assignee:** **Radioshack Corporation, Ft. Worth, TX (US)**

(\*\*) **Term:** **14 Years**

(21) **Appl. No.:** **29/168,311**

(22) **Filed:** **Sep. 30, 2002**

(51) **LOC (7) Cl.** ..... **21-01**

(52) **U.S. Cl.** ..... **D21/566**

(58) **Field of Search** ..... **D21/324, 329, D21/333, 566; 273/148 B; 463/1, 29-35, 46, 47; D14/401, 218; 446/454-456**

(56) **References Cited**

**U.S. PATENT DOCUMENTS**

4,563,626 A	1/1986	Ohtake	
4,575,354 A	3/1986	Wakayama et al.	
4,882,942 A	* 11/1989	Hamilton	..... 446/456
4,993,985 A	2/1991	Bass et al.	
5,158,495 A	10/1992	Yonezawa	
5,229,703 A	7/1993	Harris	
5,334,075 A	8/1994	Kakizaki et al.	
5,334,076 A	8/1994	Shinozuka	
D381,710 S	7/1997	Kato	
D395,472 S	* 6/1998	Kanetsuna et al.	..... D21/566
5,871,386 A	* 2/1999	Bart et al.	..... 446/456
5,885,159 A	3/1999	DeAngelis	
5,908,345 A	6/1999	Choi	
5,944,607 A	8/1999	Crane	
5,989,096 A	11/1999	Barton et al.	
6,083,104 A	7/2000	Choi	
6,097,112 A	8/2000	Kondo	
6,247,994 B1	6/2001	DeAngelis et al.	

6,250,987 B1	6/2001	Choi	
D456,050 S	* 4/2002	Bao	..... D21/566
6,390,883 B1	5/2002	Choi	
2001/0006313 A1	7/2001	Kikuchihara et al.	
2002/0094752 A1	7/2002	Kaneko et al.	

**FOREIGN PATENT DOCUMENTS**

JP	2000-270239	9/2000
JP	2001-137561	5/2001
JP	2001-186714	7/2001
JP	2002-159759	6/2002
JP	2002-166064	6/2002

**OTHER PUBLICATIONS**

Tower Hobbies Catalog, P 38, 1991.\*

\* cited by examiner

*Primary Examiner*—Raphael Barkai

(74) *Attorney, Agent, or Firm*—Haynes and Boone, LLP

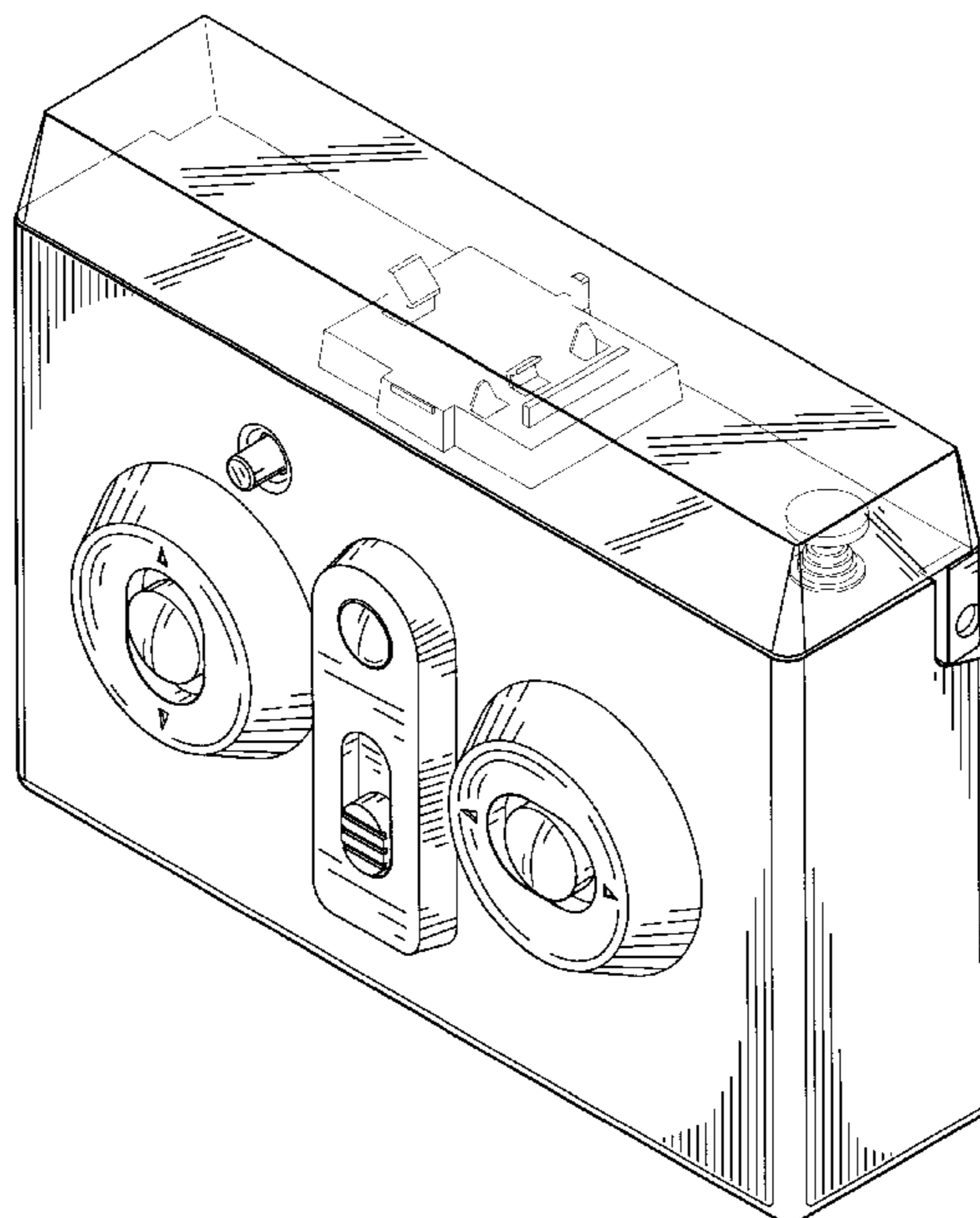
(57) **CLAIM**

The design for the radio frequency toy controller, as shown and described.

**DESCRIPTION**

FIG. 1 is a perspective view of the radio frequency toy controller showing my new design; FIG. 2 is a top view thereof; FIG. 3 is a front view thereof; FIG. 4 is a side view thereof; FIG. 5 is a side view thereof; FIG. 6 is a rear view thereof; FIG. 7 is a bottom view thereof; FIG. 8 is a perspective view thereof; and, FIG. 9 is a perspective view thereof.

**1 Claim, 6 Drawing Sheets**



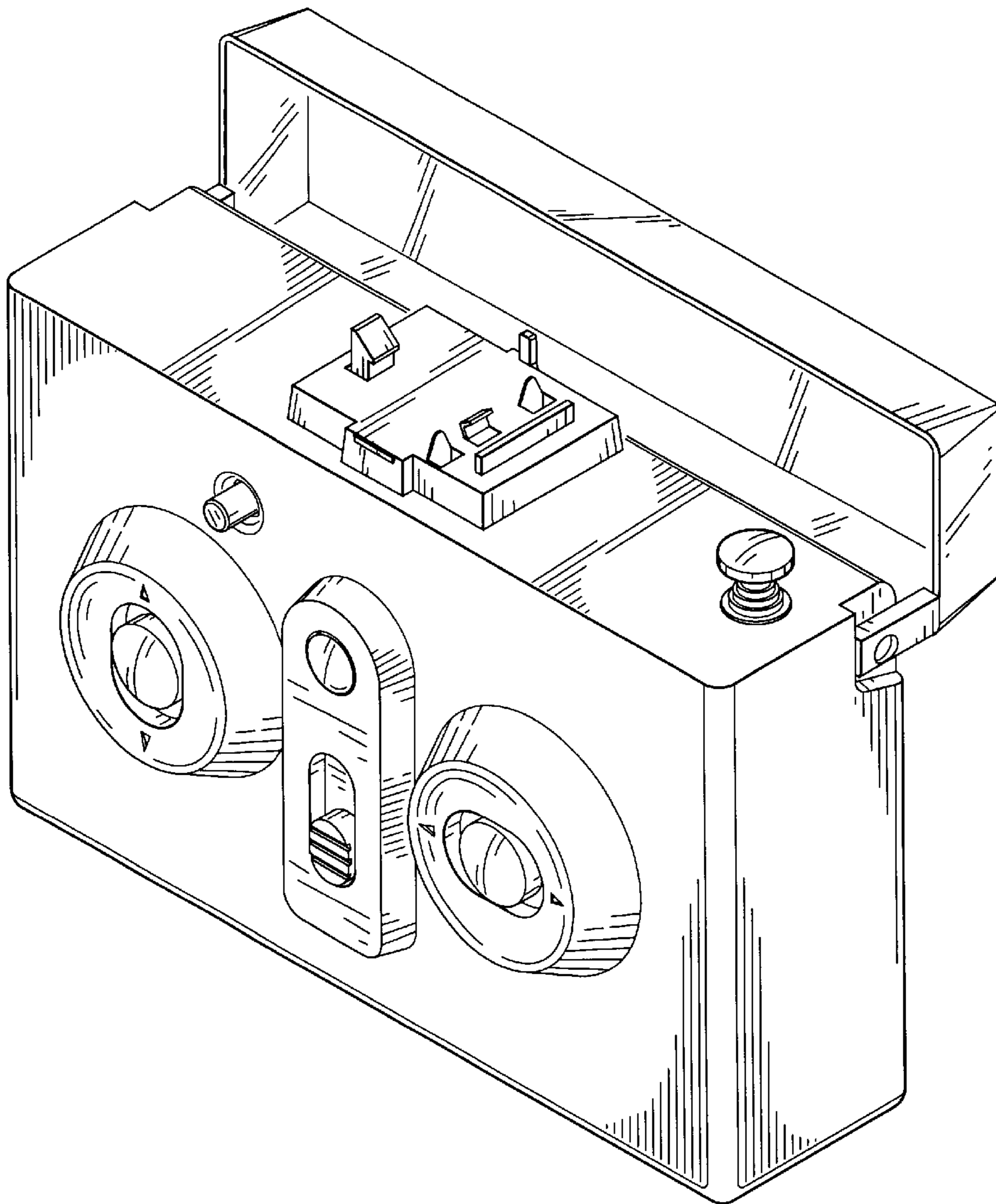


FIG. 1

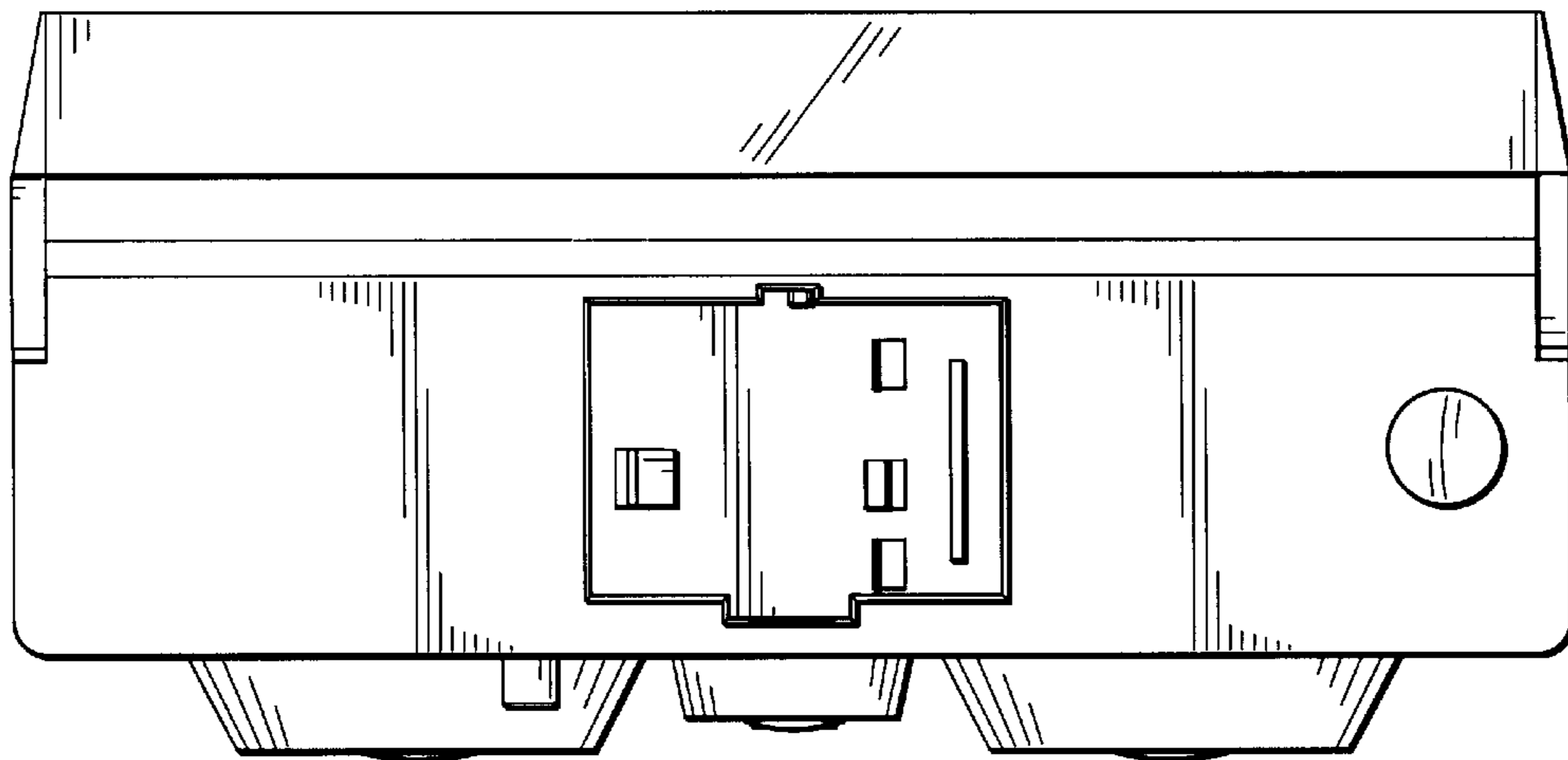


FIG. 2

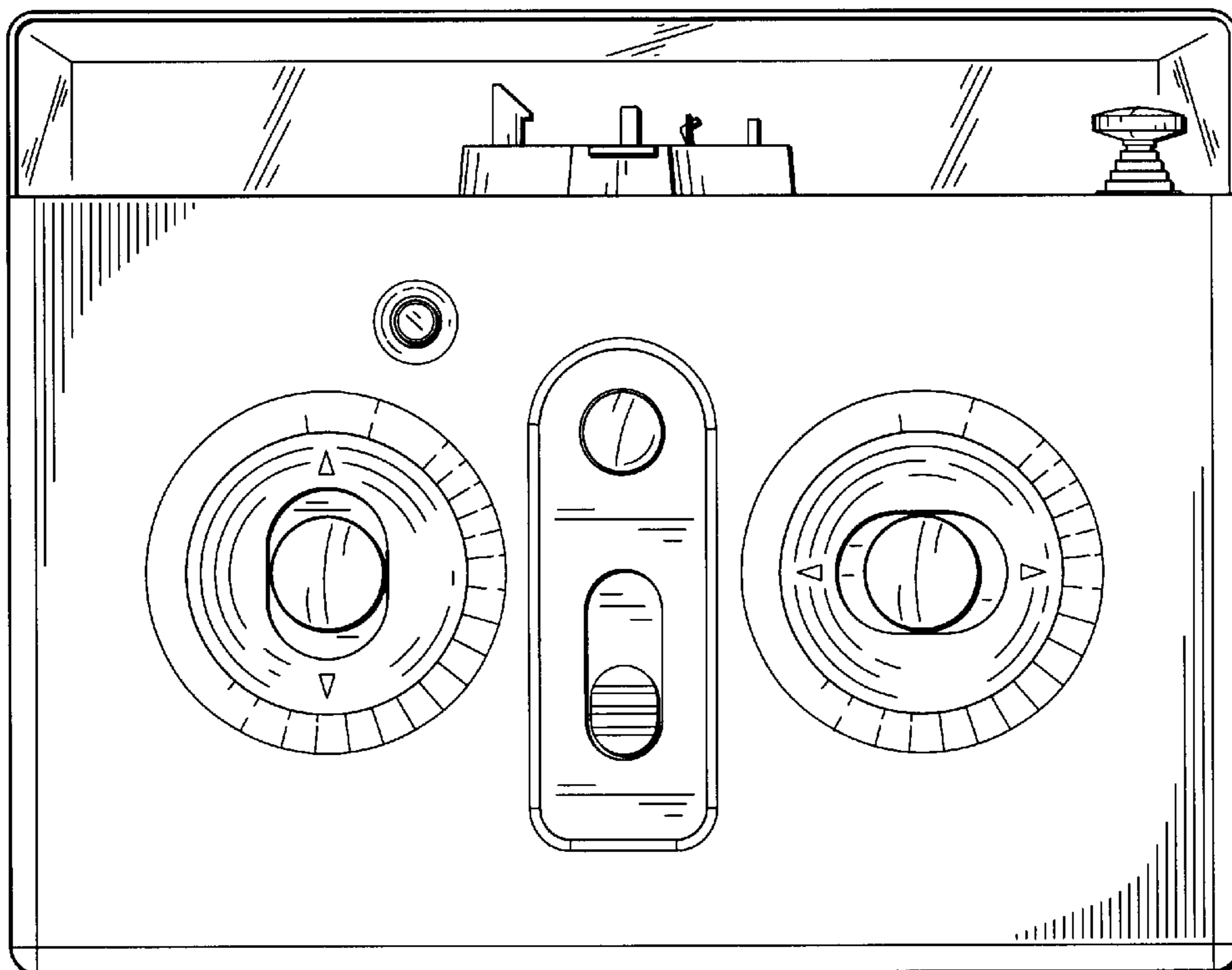


FIG. 3

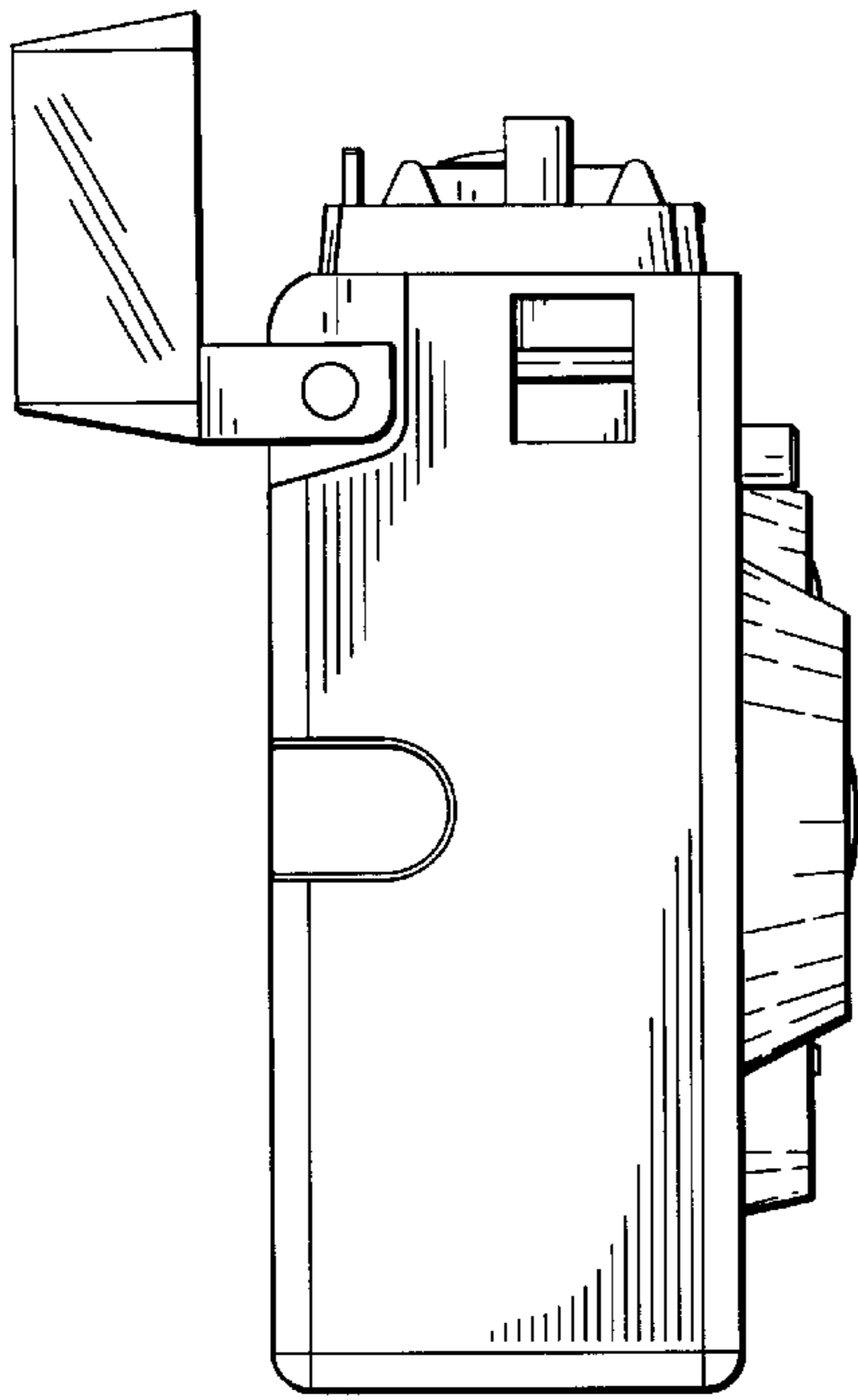


FIG. 4

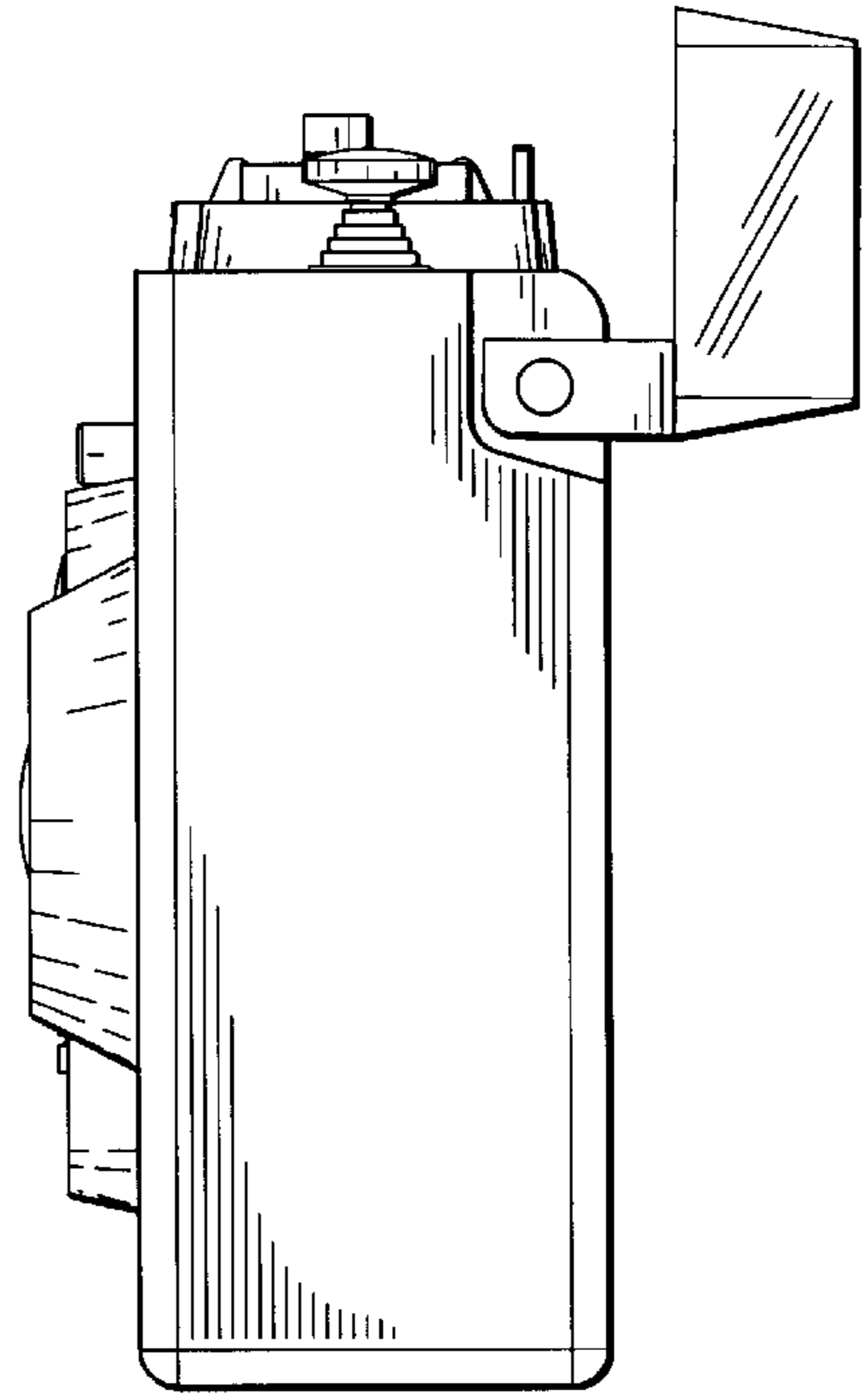


FIG. 5

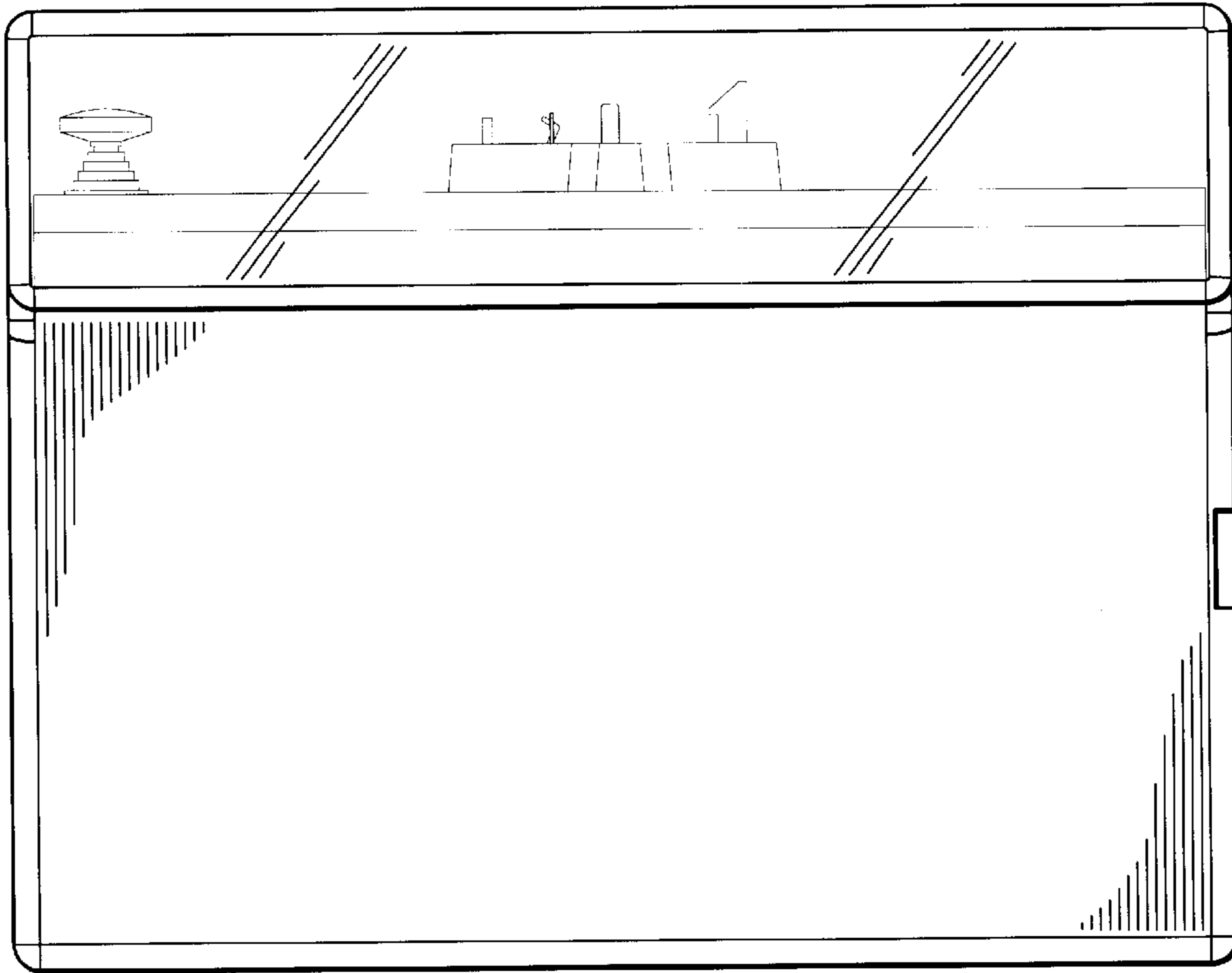


FIG. 6

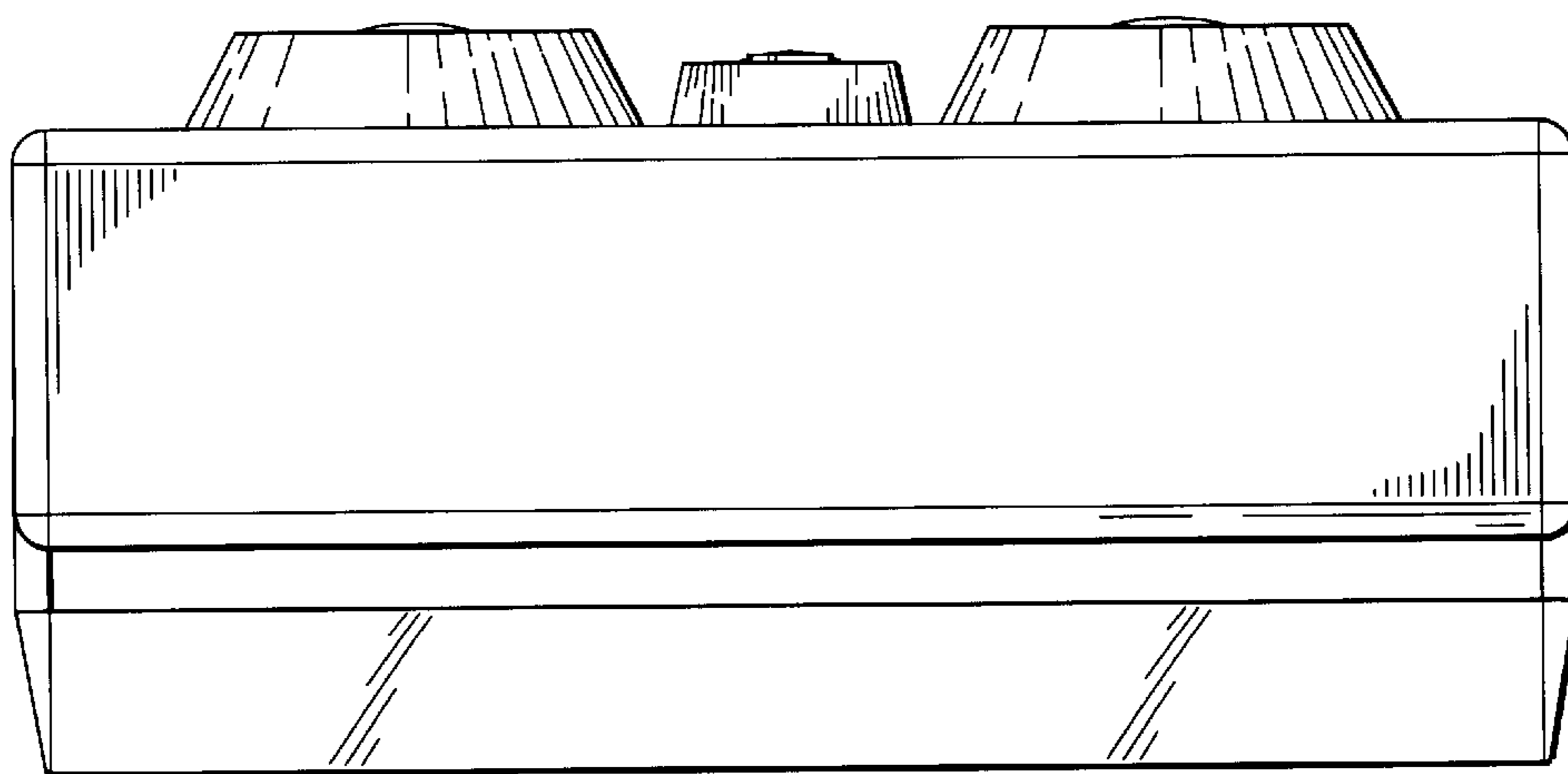


FIG. 7

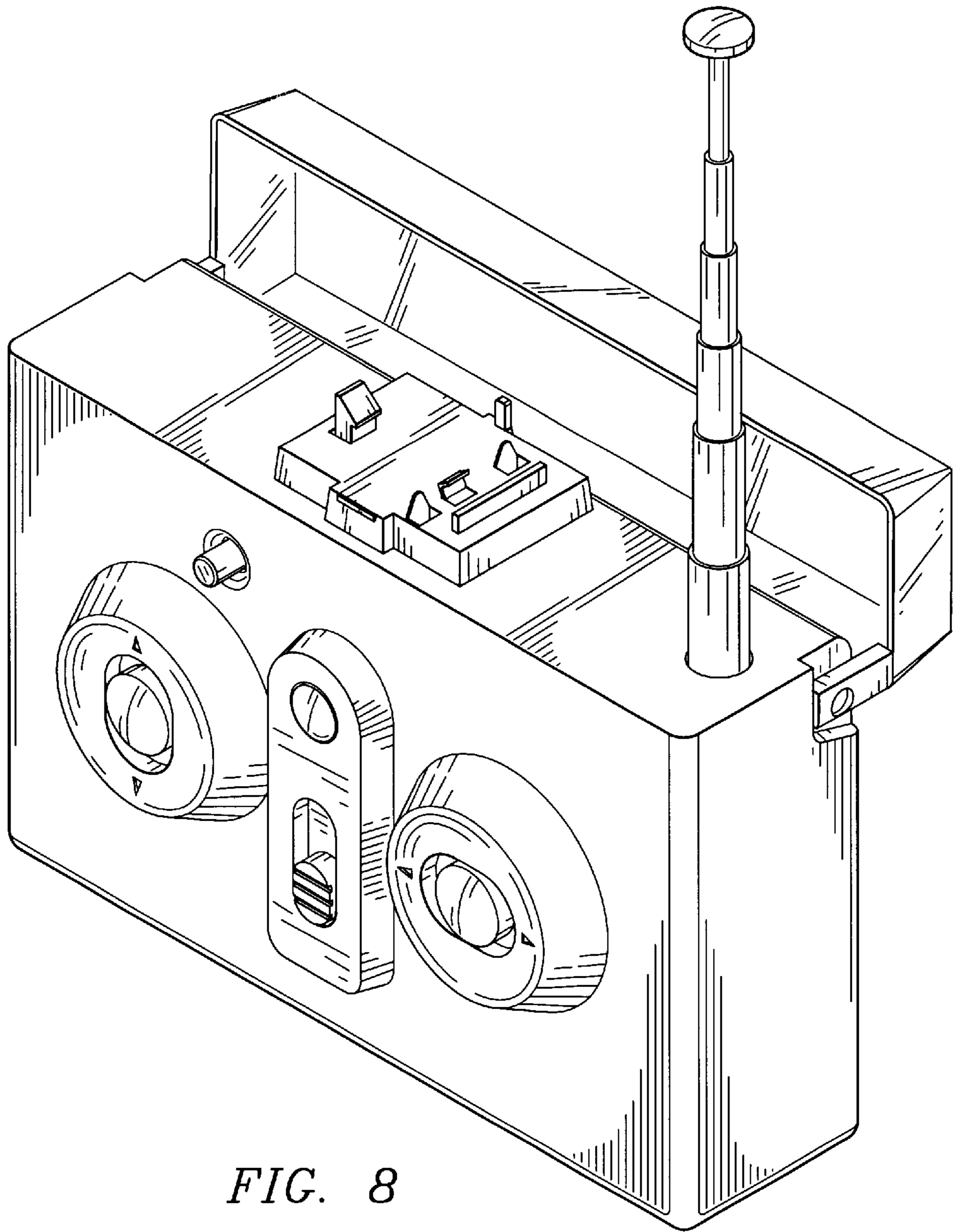


FIG. 8

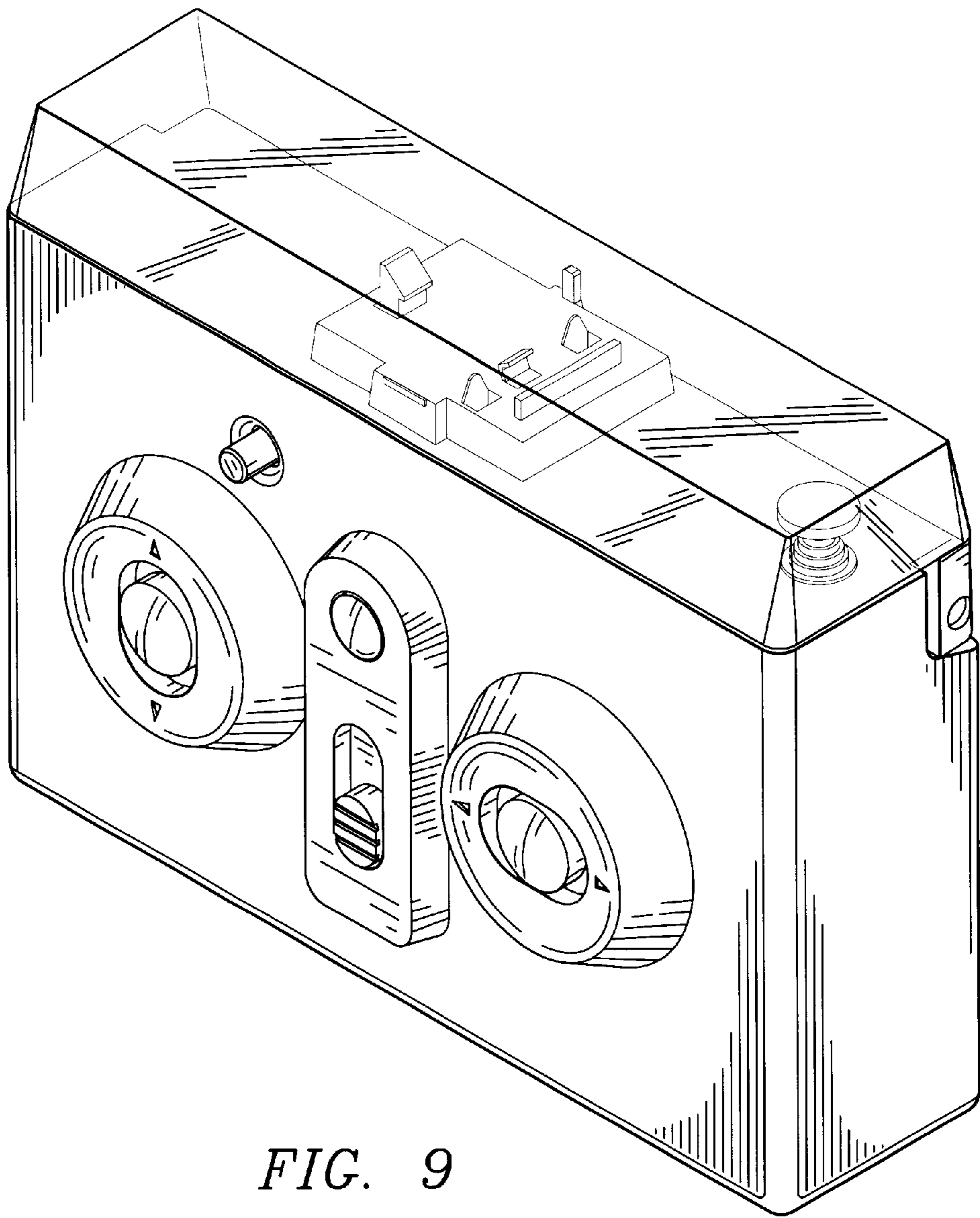


FIG. 9