



US00D485582S

(12) **United States Design Patent**
Valiulis

(10) **Patent No.:** **US D485,582 S**

(45) **Date of Patent:** **** Jan. 20, 2004**

(54) **HINGED LABEL HOLDER WITH CHANNEL**

(75) Inventor: **Thomas E. Valiulis**, Rockford, IL (US)

(73) Assignee: **Southern Imperial, Inc.**, Rockford, IL (US)

(**) Term: **14 Years**

(21) Appl. No.: **29/163,480**

(22) Filed: **Jul. 3, 2002**

(51) **LOC (7) Cl.** **20-02**

(52) **U.S. Cl.** **D20/44**

(58) **Field of Search** D20/10, 22, 40,
D20/42, 43, 44, 99; D8/373, 380; D19/20;
D25/119, 121, 122, 124; 40/124.01, 124.05,
584, 642.01, 642.02, 649, 653, 654.01,
661, 661.03; 52/522; 248/214, 215

(56) **References Cited**

U.S. PATENT DOCUMENTS

D25,317 S *	3/1896	Allen	D20/43
2,688,201 A *	9/1954	Troendle	40/649
5,197,215 A *	3/1993	Torsleff	40/654.01
5,421,113 A *	6/1995	Gebka et al.	40/642.01
5,515,632 A *	5/1996	Gebka et al.	40/649
D425,939 S *	5/2000	Kump et al.	D20/43
6,263,603 B1 *	7/2001	Wildrick	40/661
6,266,906 B1 *	7/2001	Nagel	40/661.03
D470,190 S *	2/2003	Nagel	D20/43
D470,893 S *	2/2003	Valiulis et al.	D20/44
6,568,113 B1 *	5/2003	Valiulis	40/661.06
D475,753 S *	6/2003	Valiulis	D20/43
D476,375 S *	6/2003	Zadak et al.	D20/43

* cited by examiner

Primary Examiner—Robert M. Spear

(74) *Attorney, Agent, or Firm*—Leydig, Voit & Mayer, Ltd.

(57) **CLAIM**

I claim the ornamental design for a hinged label holder with channel, as shown and described.

DESCRIPTION

FIG. 1 is a perspective view, taken from the front and left, of the hinged label holder with channel of the present invention;

FIG. 2 is a perspective view, taken from the rear and right, of the hinged label holder with channel shown in FIG. 1;

FIG. 3 is an enlarged top view of the hinged label holder with channel shown in FIG. 1;

FIG. 4 is an enlarged front view of the hinged label holder with channel shown in FIG. 1;

FIG. 5 is an enlarged bottom view of the hinged label holder with channel shown in FIG. 1;

FIG. 6 is an enlarged side view, taken from the right, of the hinged label holder with channel shown in FIG. 1;

FIG. 7 is an enlarged rear view of the hinged label holder with channel shown in FIG. 1;

FIG. 8 is an enlarged side view, taken from the left, of the hinged label holder with channel shown in FIG. 1;

FIG. 9 is a reduced scale perspective view, taken from the front and left, of the hinged label holder with channel of FIGS. 1-8, shown in an alternate position of use;

FIG. 10 is a perspective view, taken from the rear and right, of the hinged label holder with channel shown in FIG. 9;

FIG. 11 is an enlarged top view of the hinged label holder with channel shown in FIG. 9;

FIG. 12 is an enlarged front view of the hinged label holder with channel shown in FIG. 9;

FIG. 13 is an enlarged bottom view of the hinged label holder with channel shown in FIG. 9;

FIG. 14 is an enlarged side view, taken from the right, of the hinged label holder with channel shown in FIG. 9;

FIG. 15 is an enlarged rear view of the hinged label holder with channel shown in FIG. 9;

FIG. 16 is an enlarged side view, taken from the left, of the hinged label holder with channel shown in FIG. 9; and,

FIGS. 17-32 are identical to FIGS. 1-16 respectively, but show an alternative embodiment in which the rear surface is transparent or translucent.

1 Claim, 12 Drawing Sheets

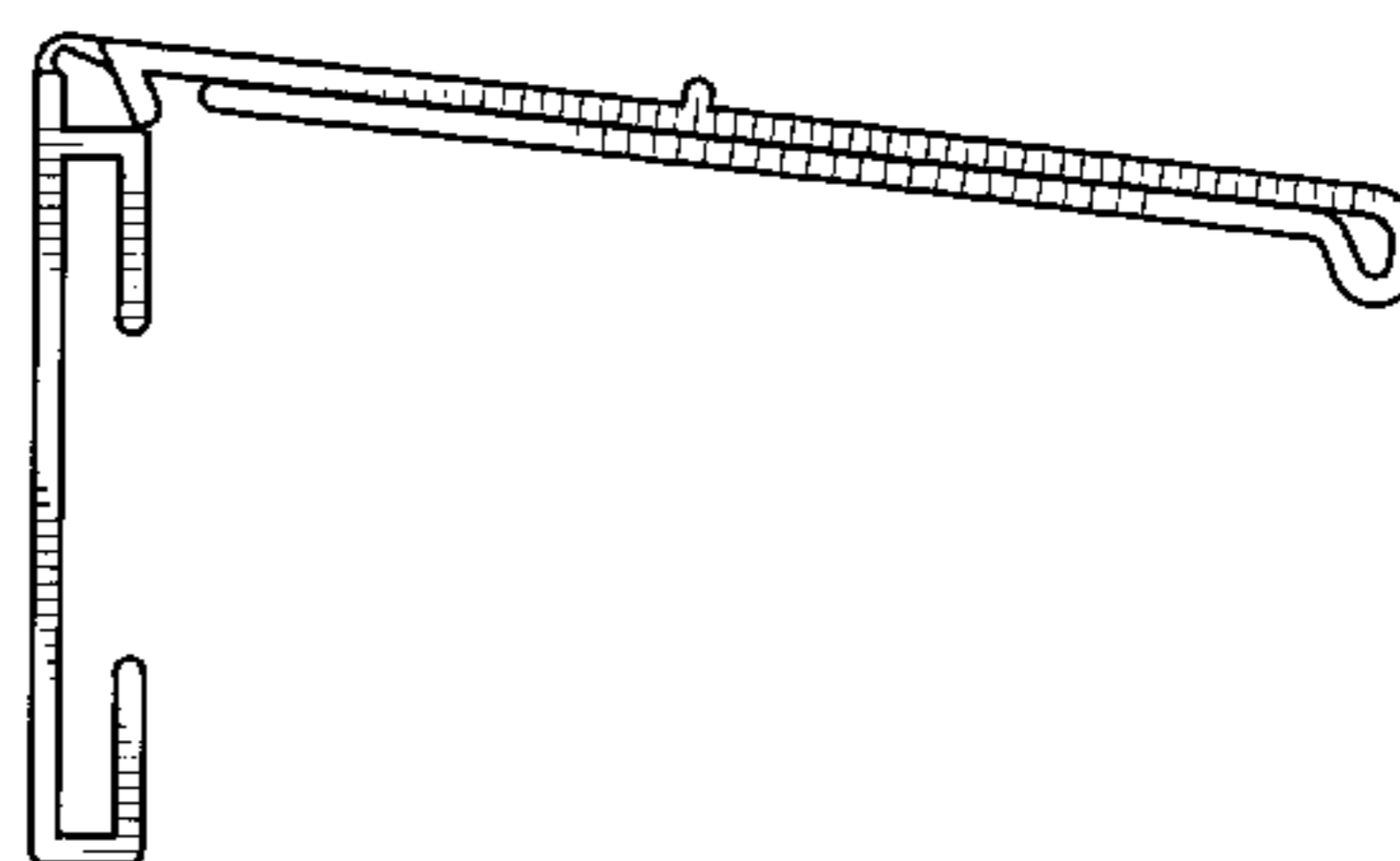
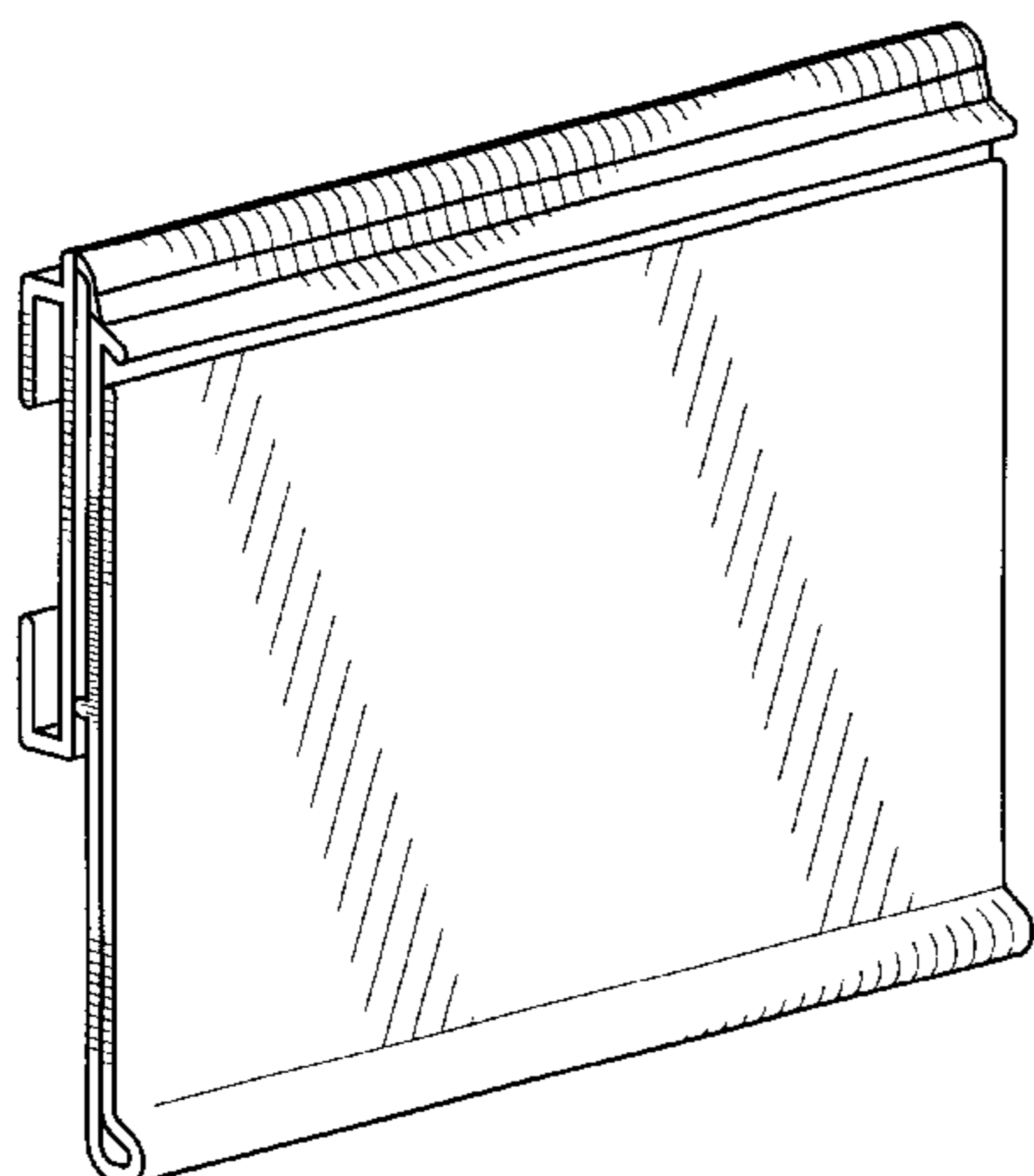


FIG. 1

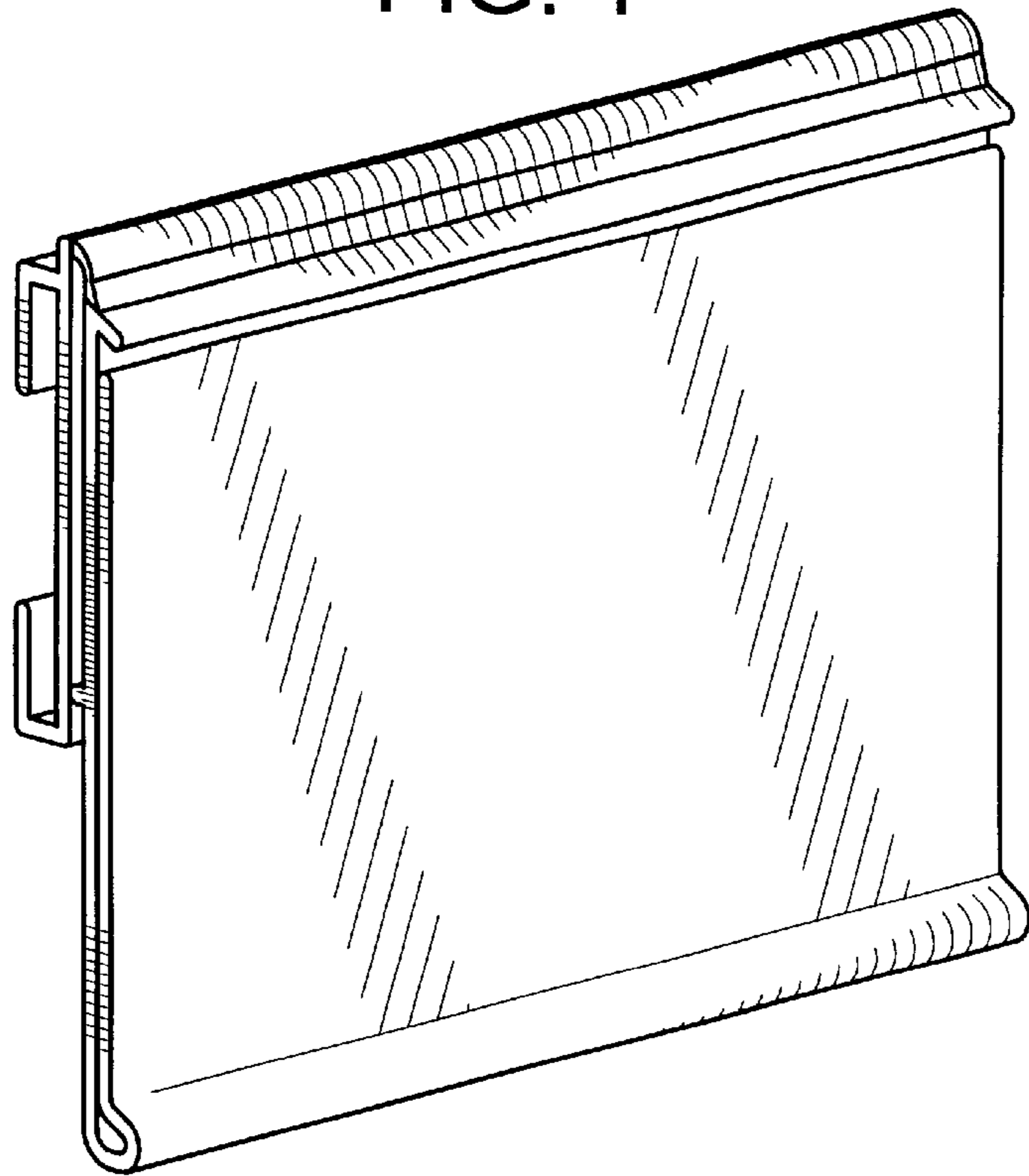


FIG. 2

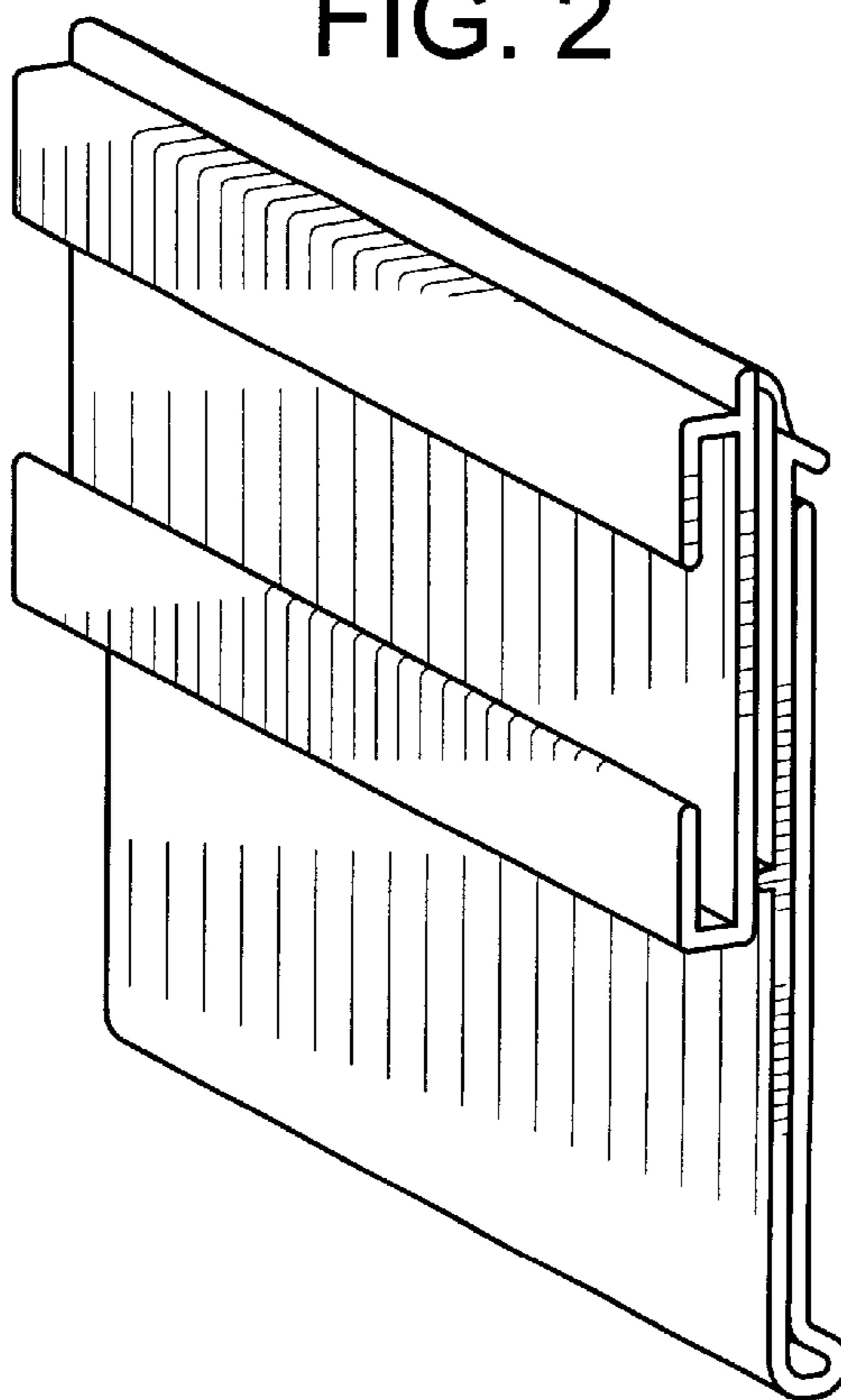


FIG. 3

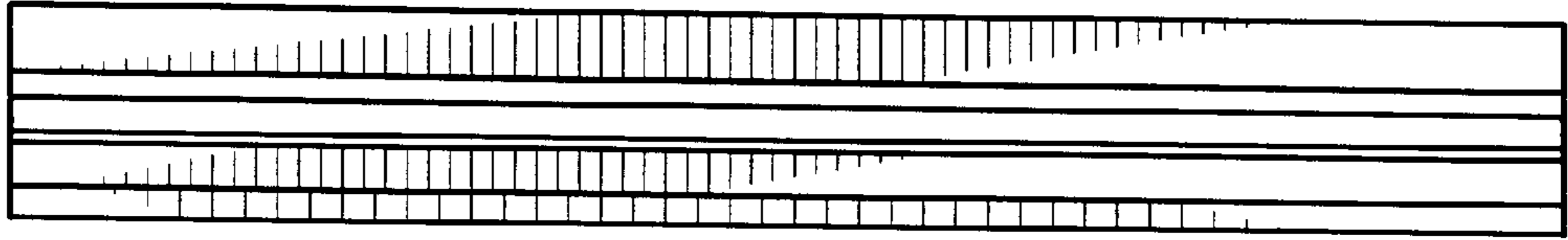


FIG. 4

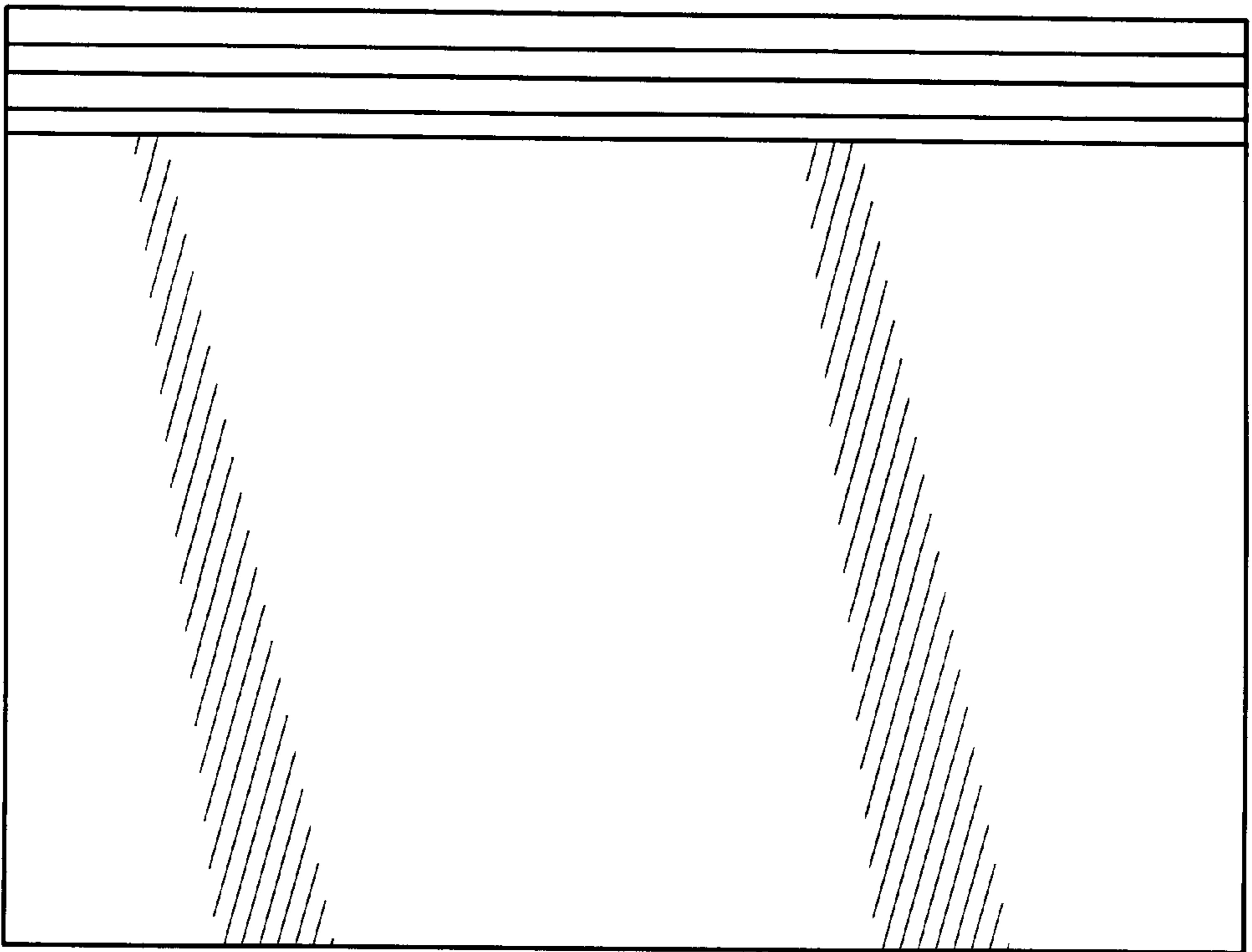


FIG. 5

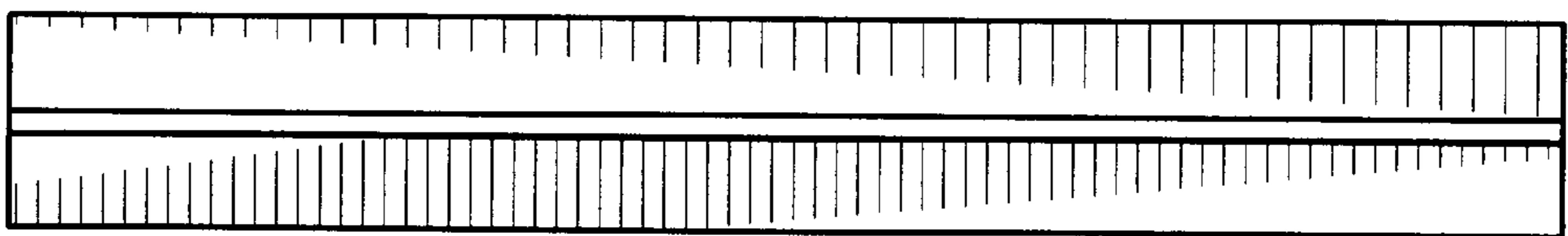


FIG. 6

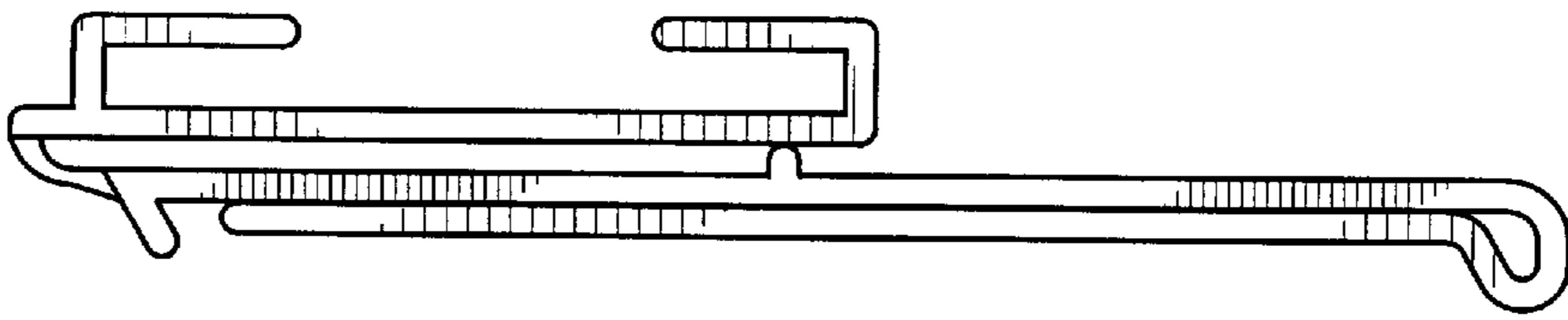


FIG. 7

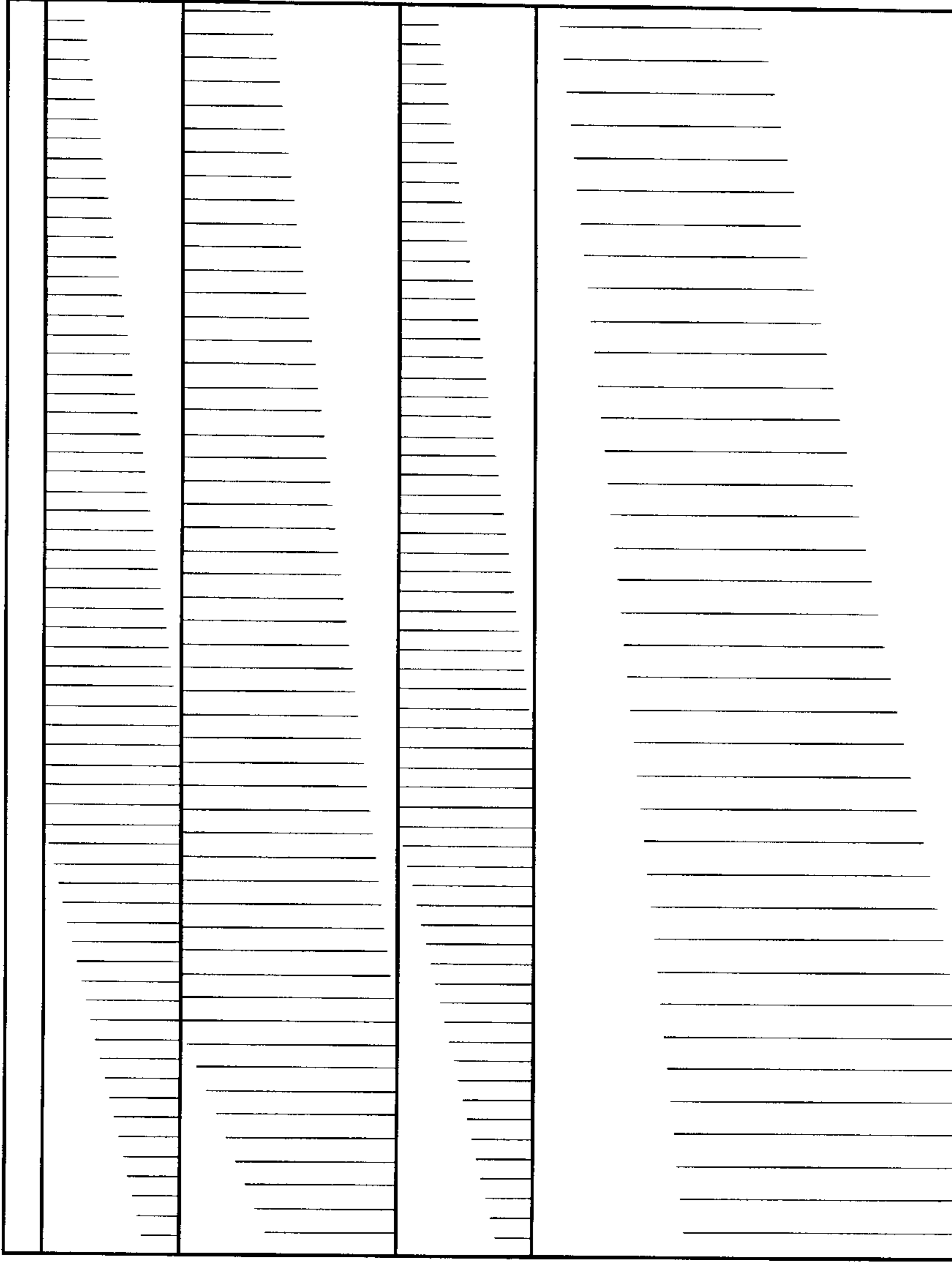


FIG. 8

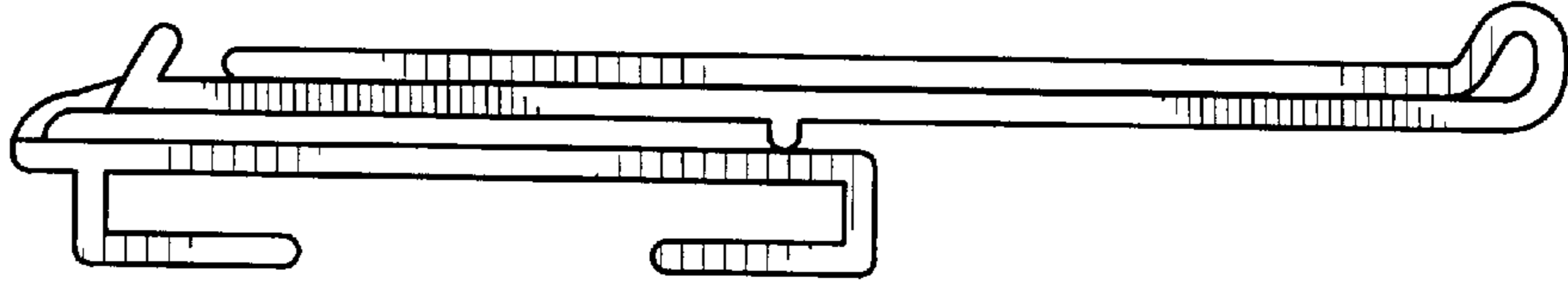


FIG. 9

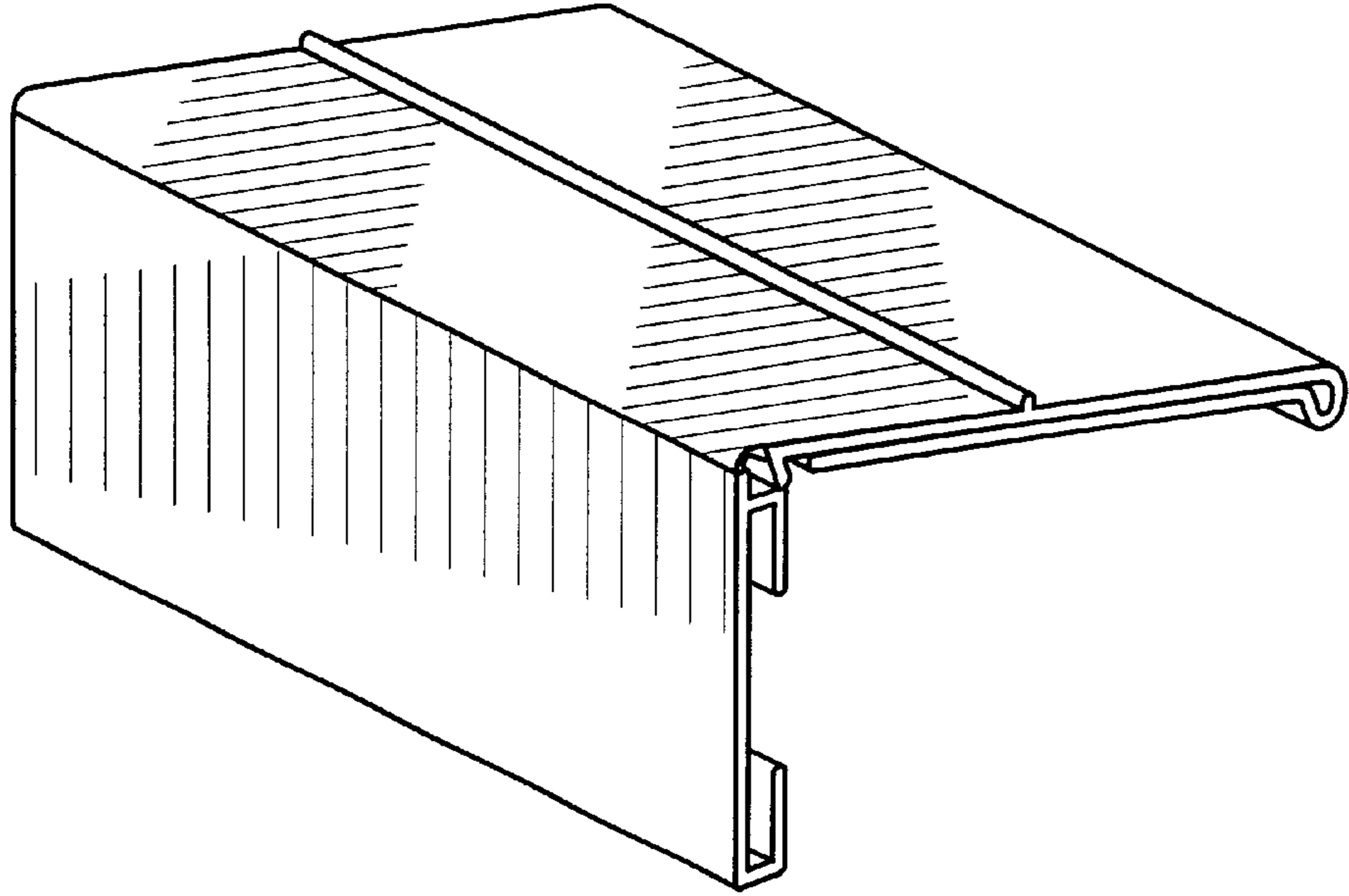


FIG. 10

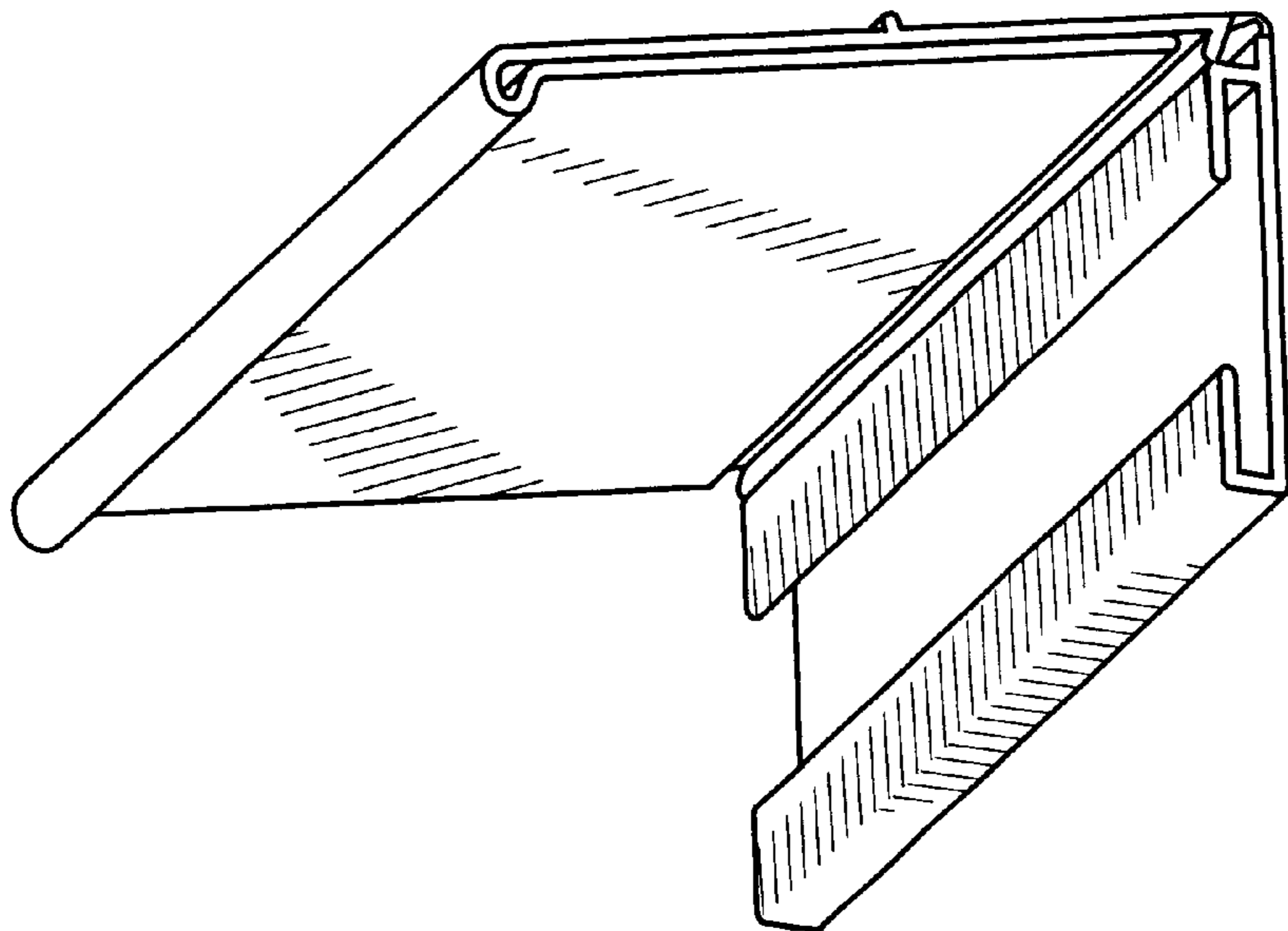


FIG. 11

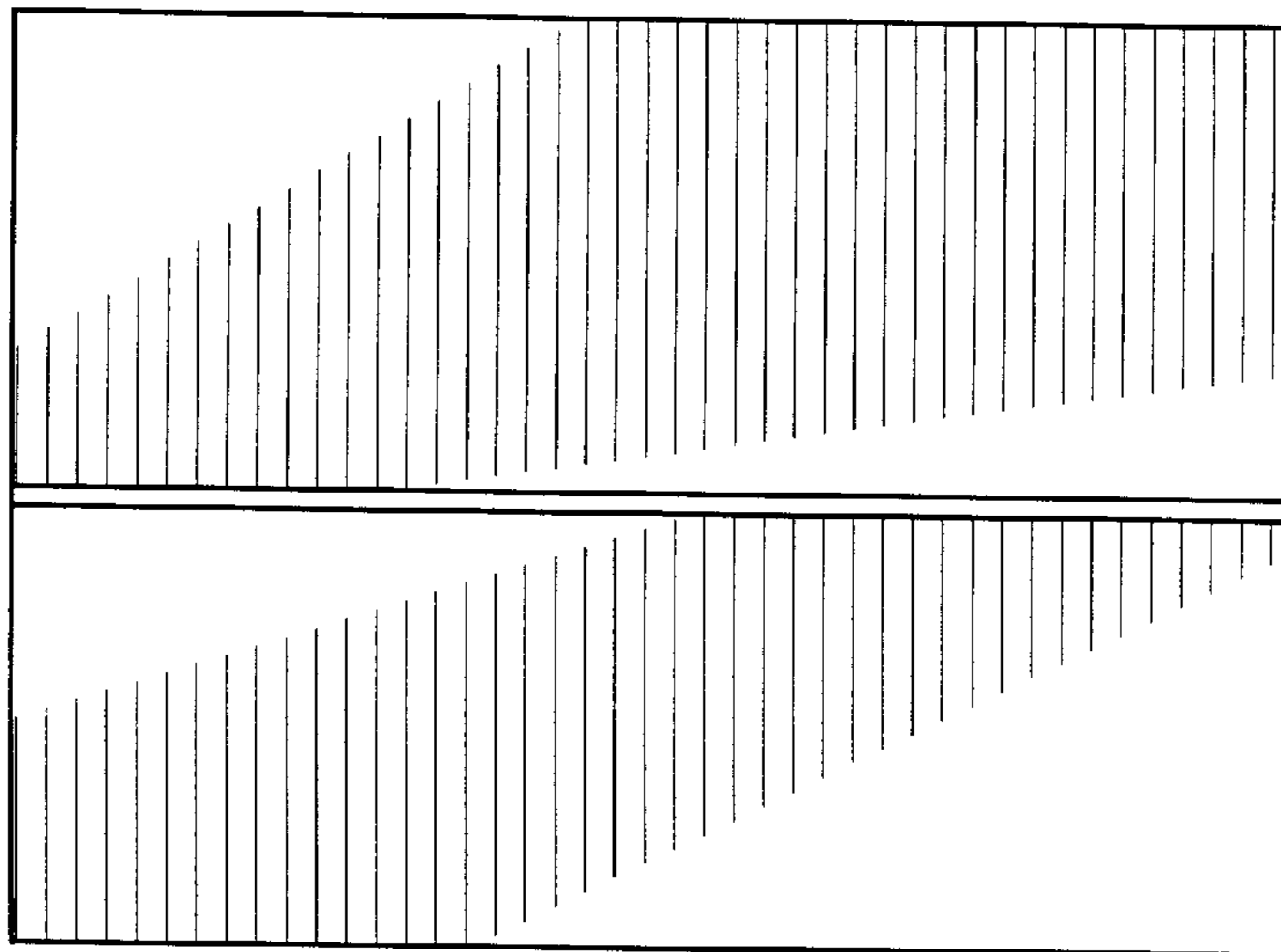


FIG. 12

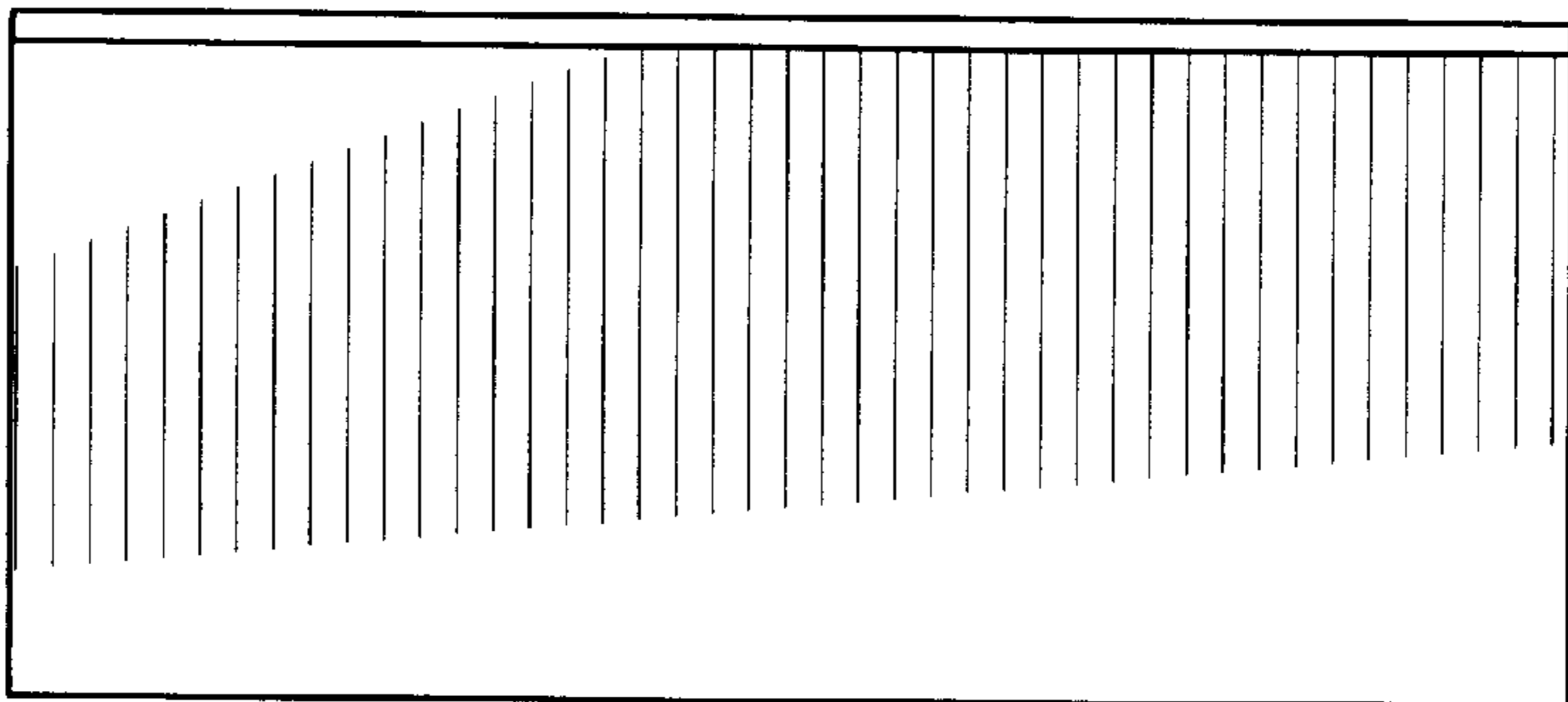


FIG. 13

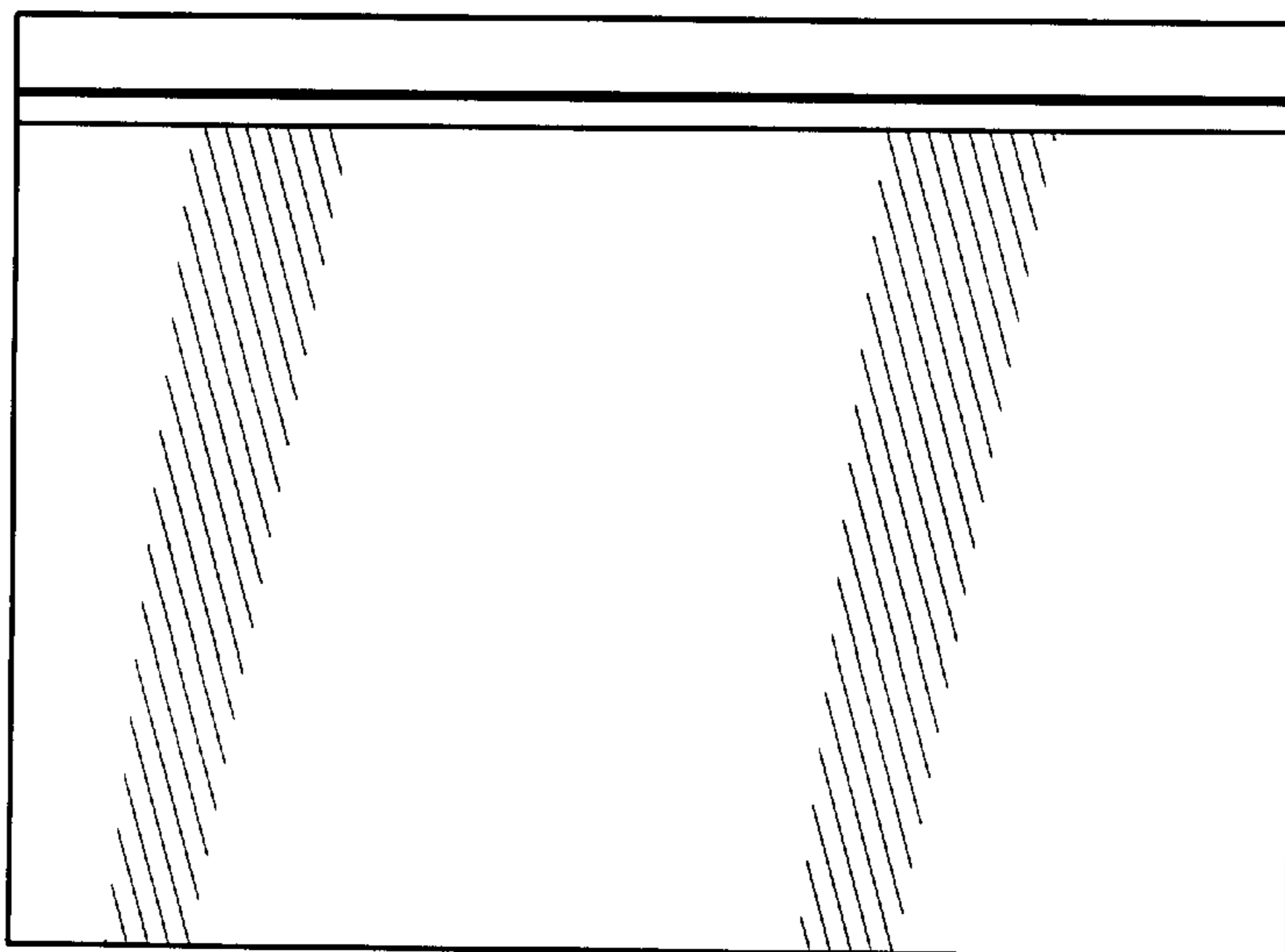


FIG. 14

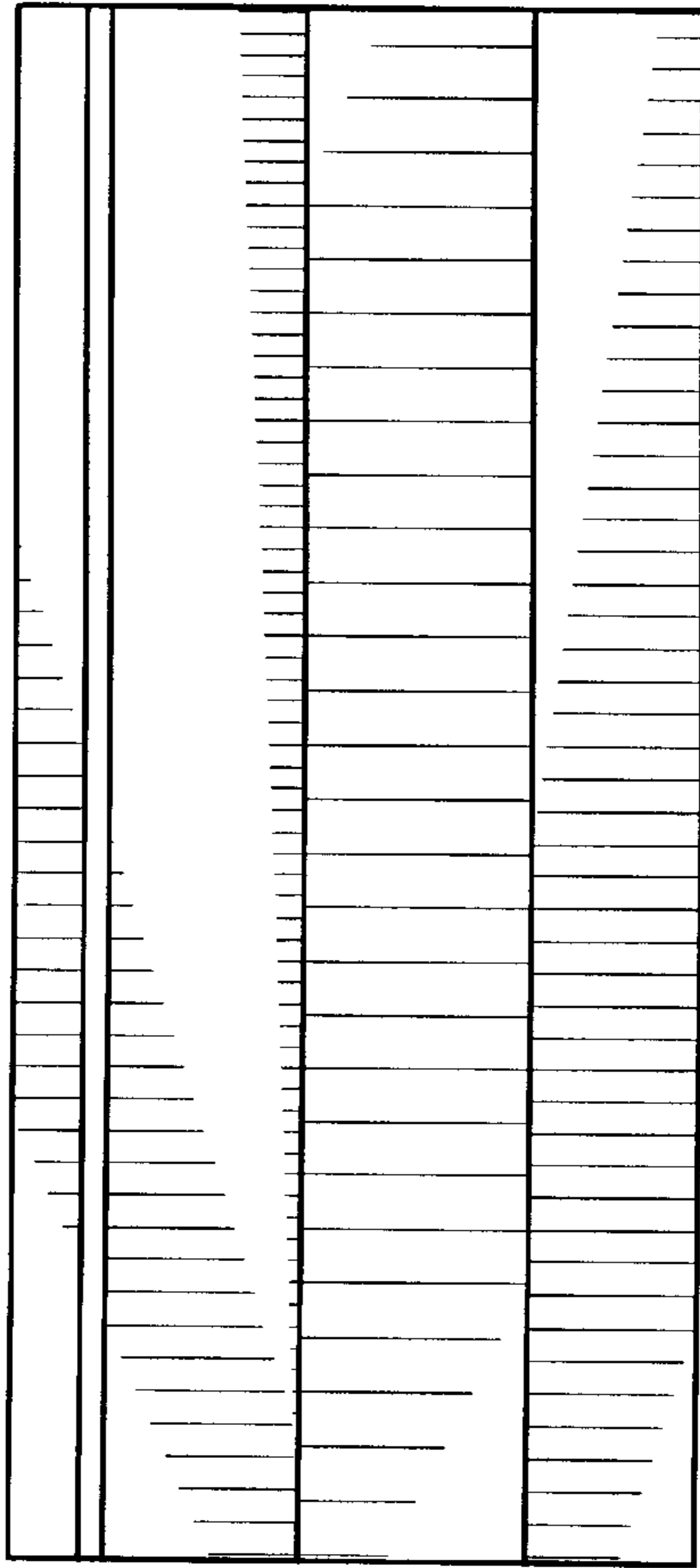


FIG. 15

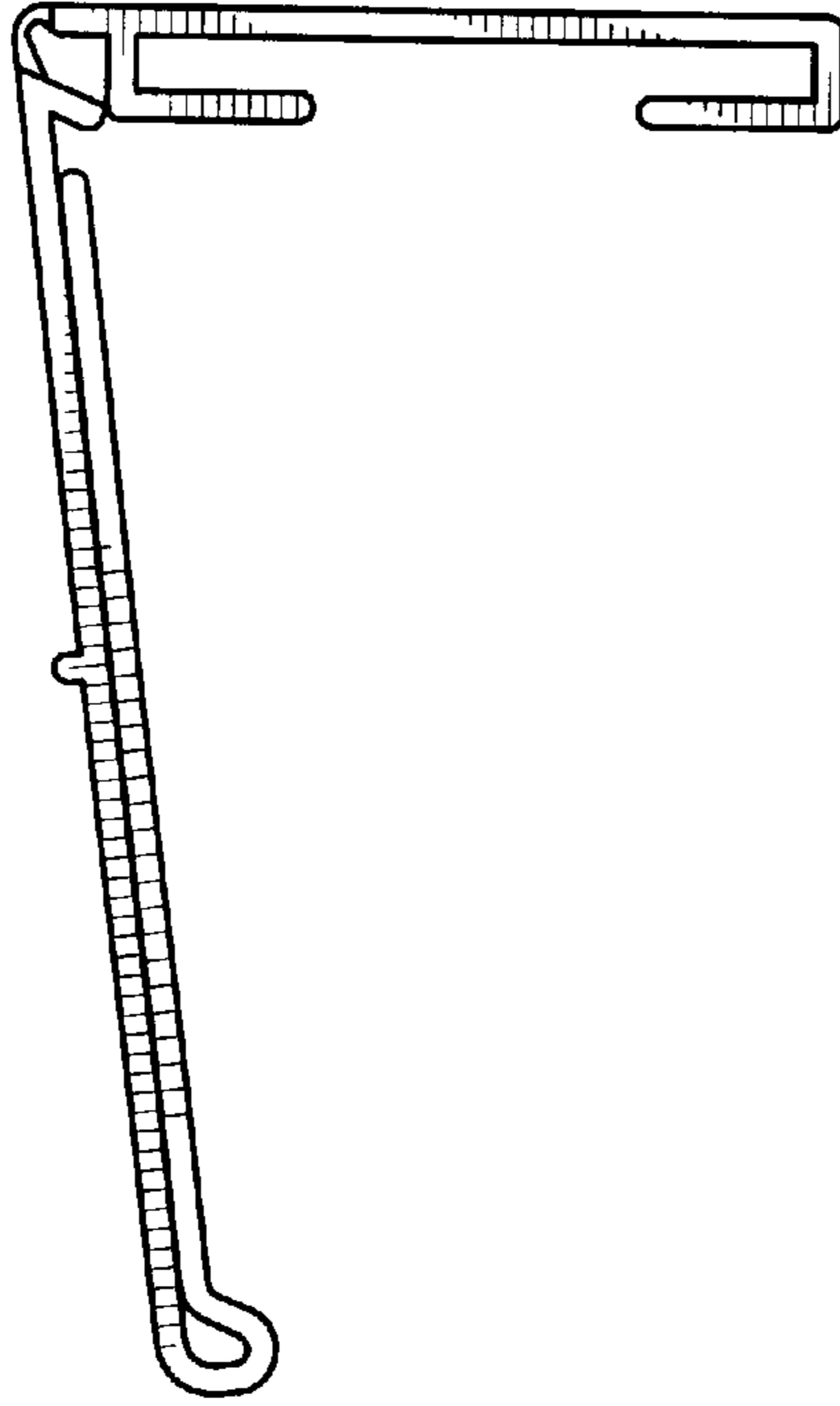


FIG. 16

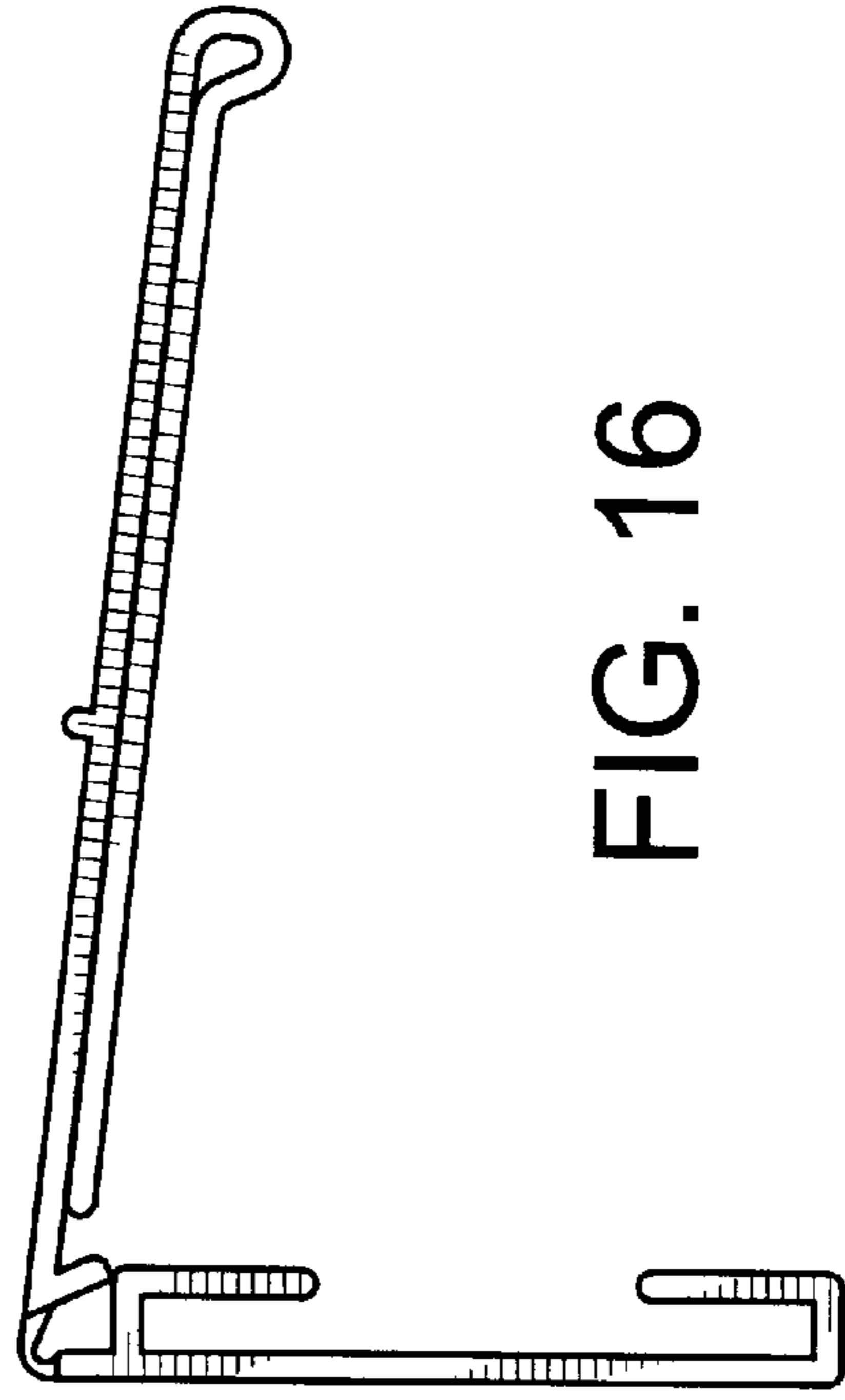


FIG. 17

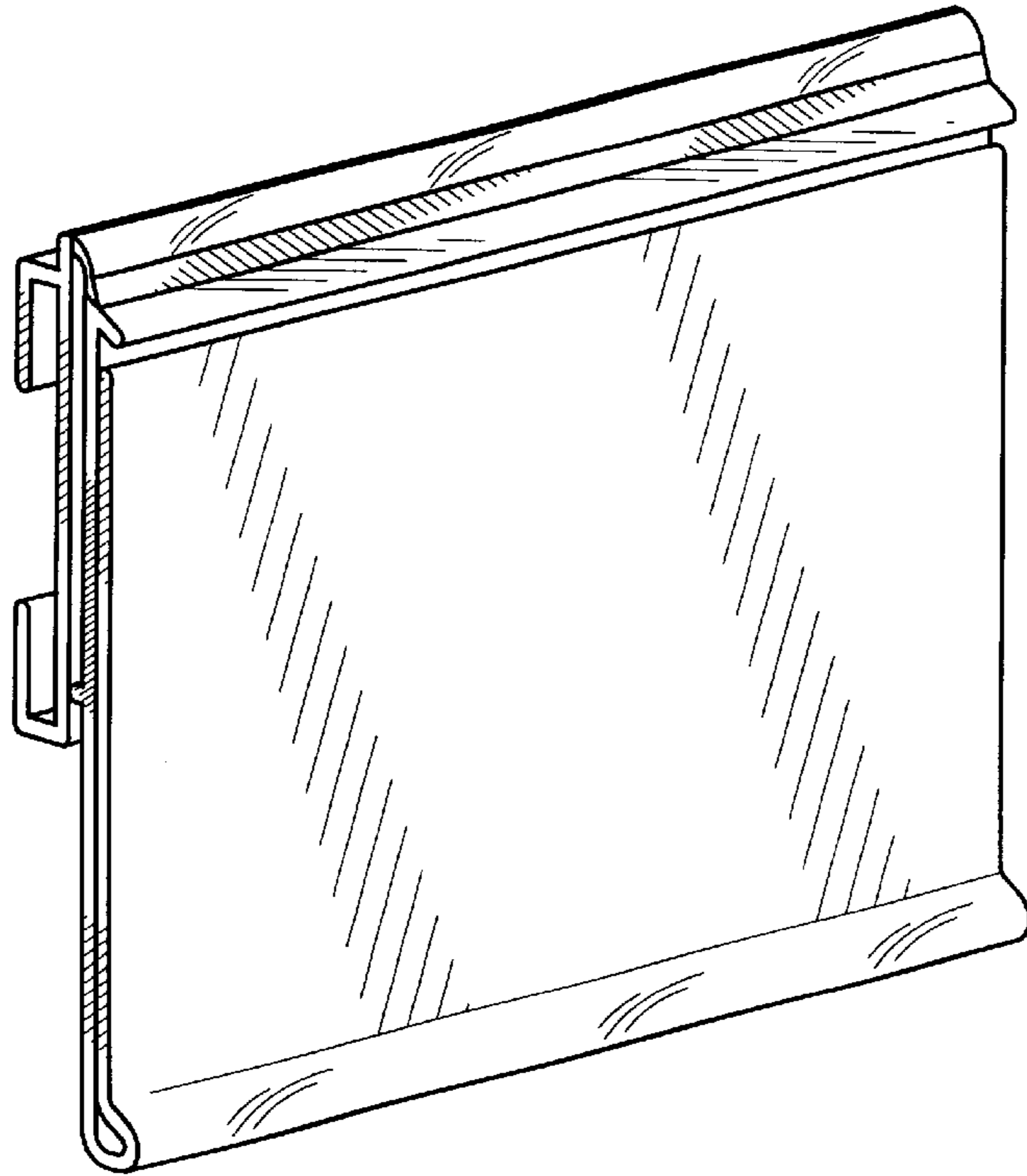


FIG. 18

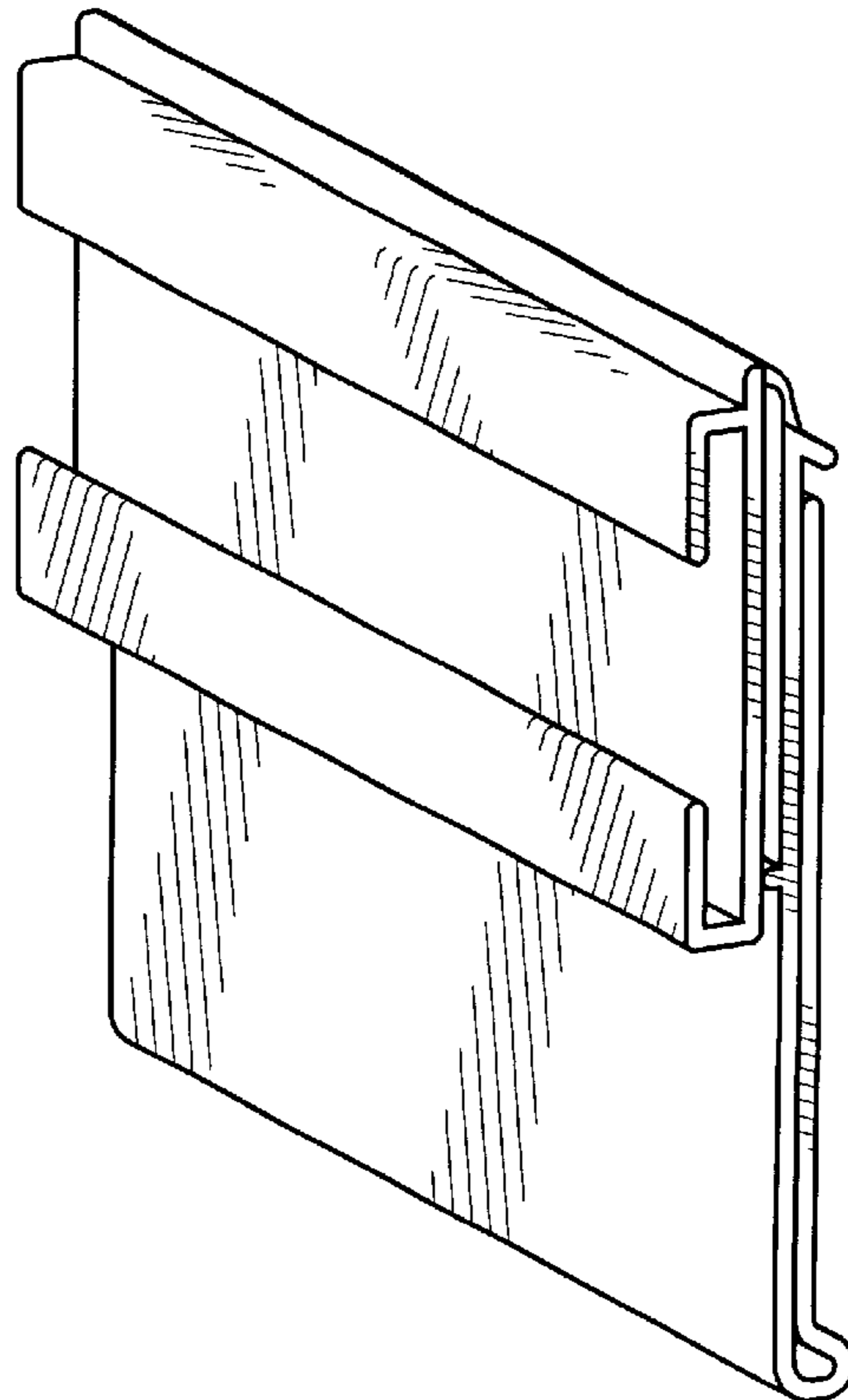


FIG. 19

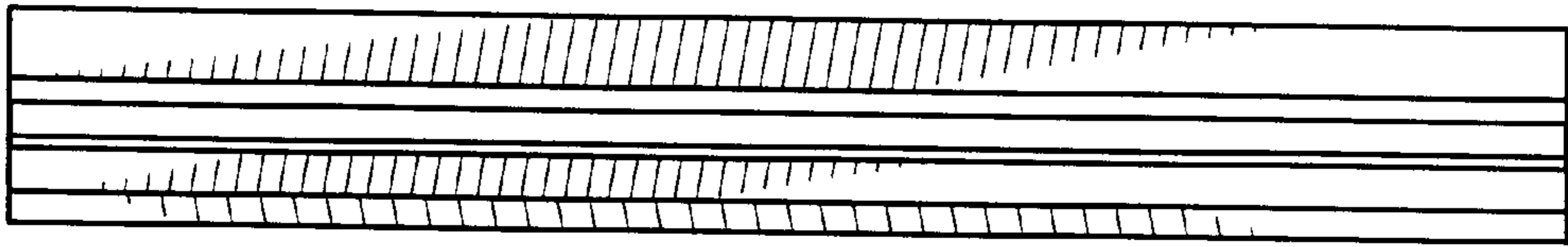


FIG. 20

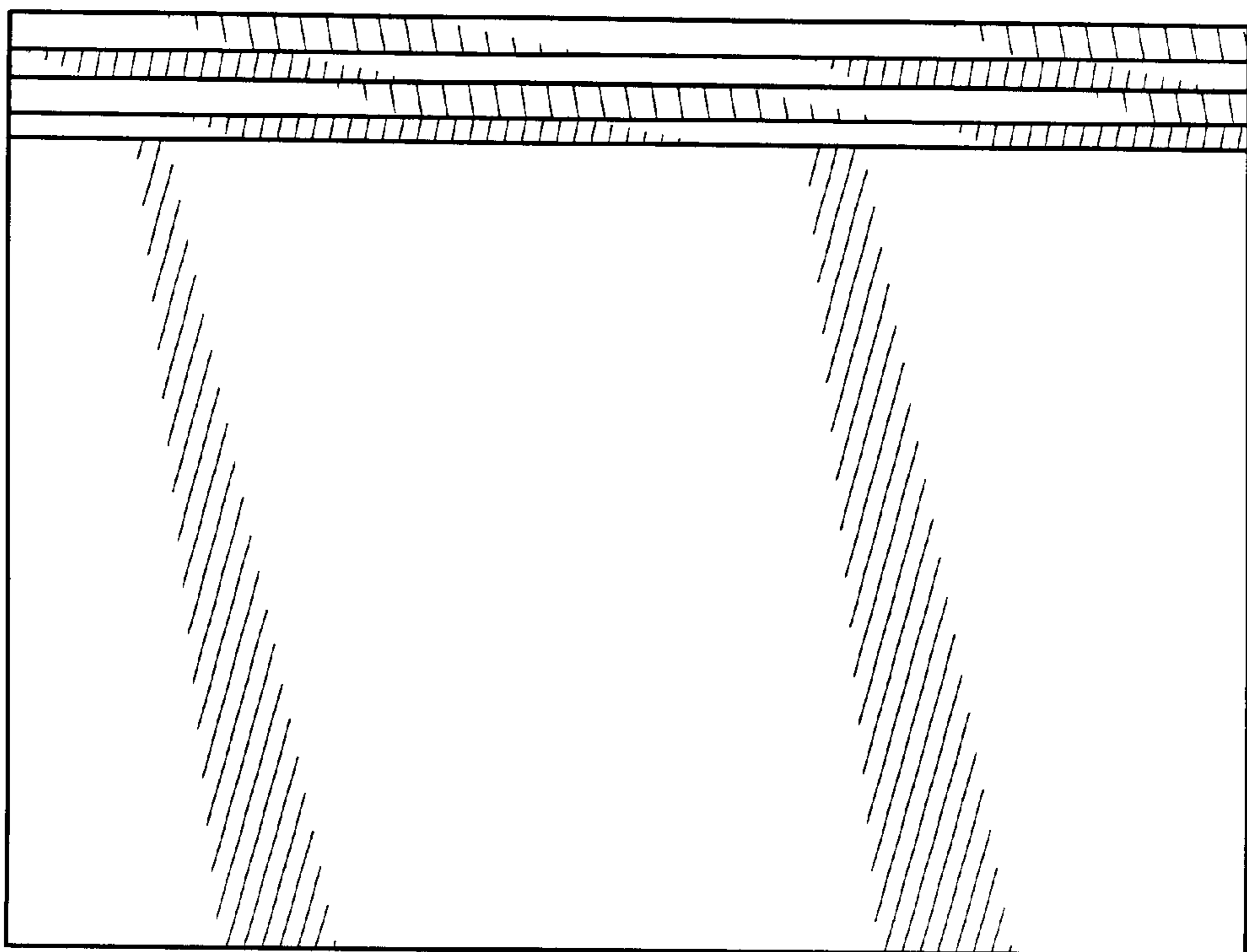


FIG. 21

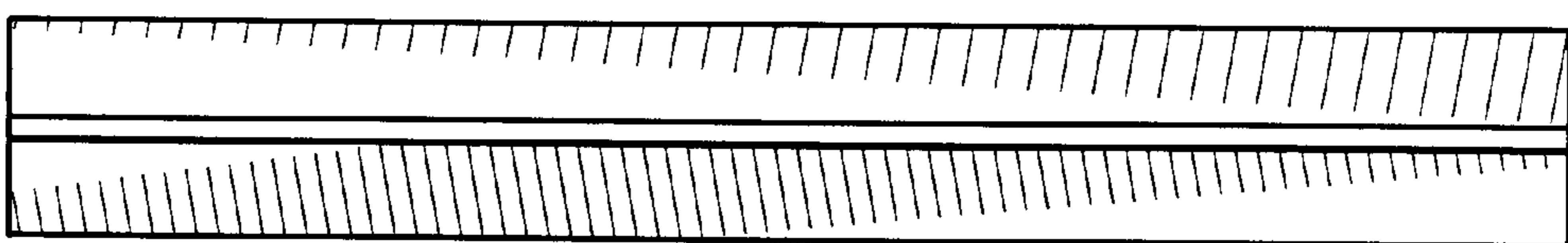


FIG. 24

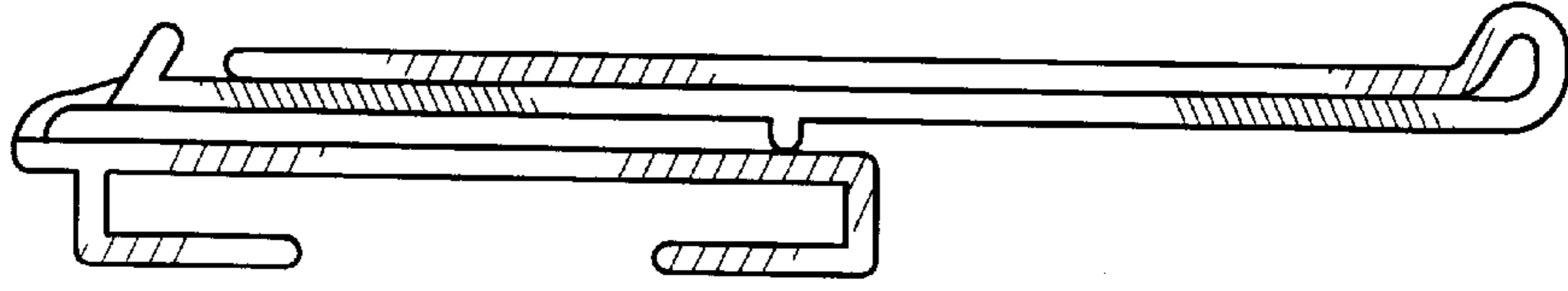


FIG. 23

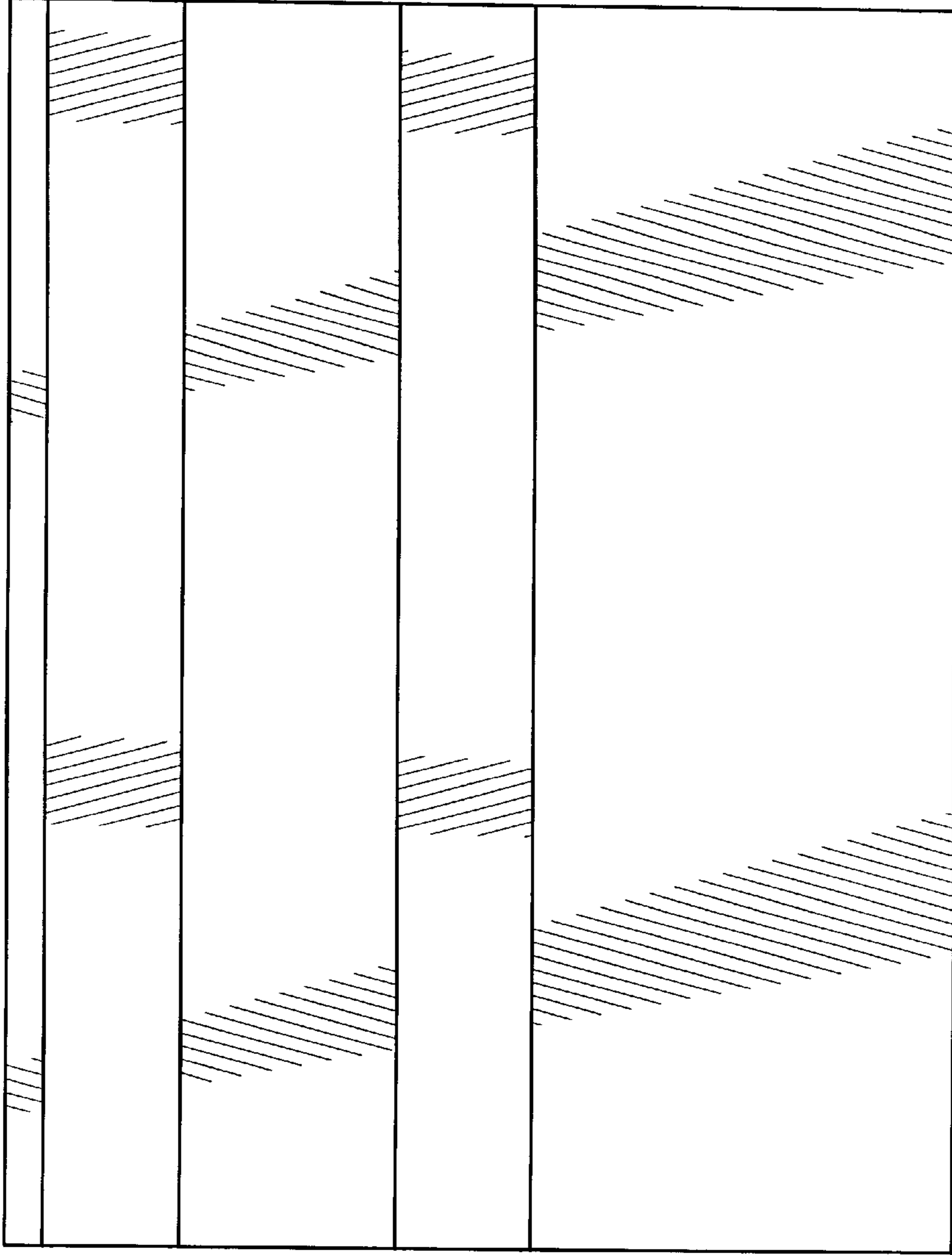


FIG. 22

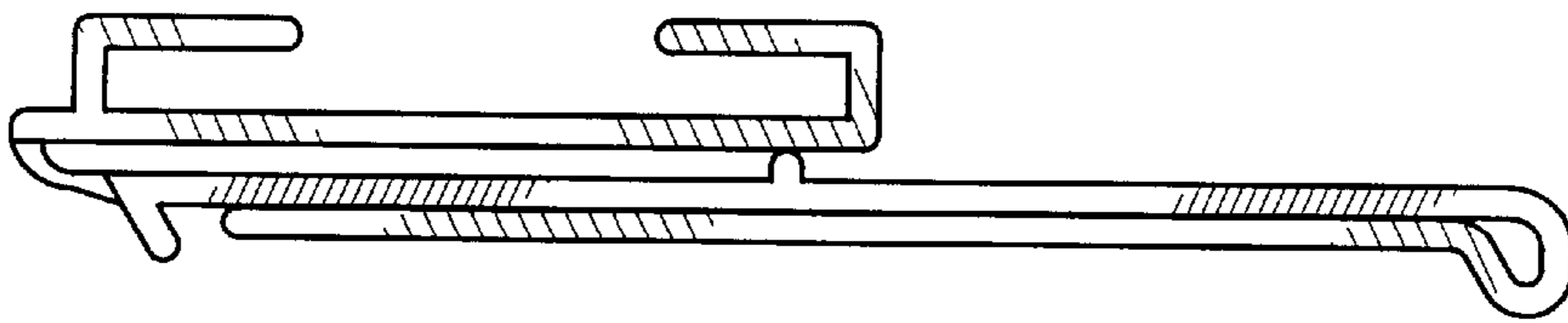


FIG. 25

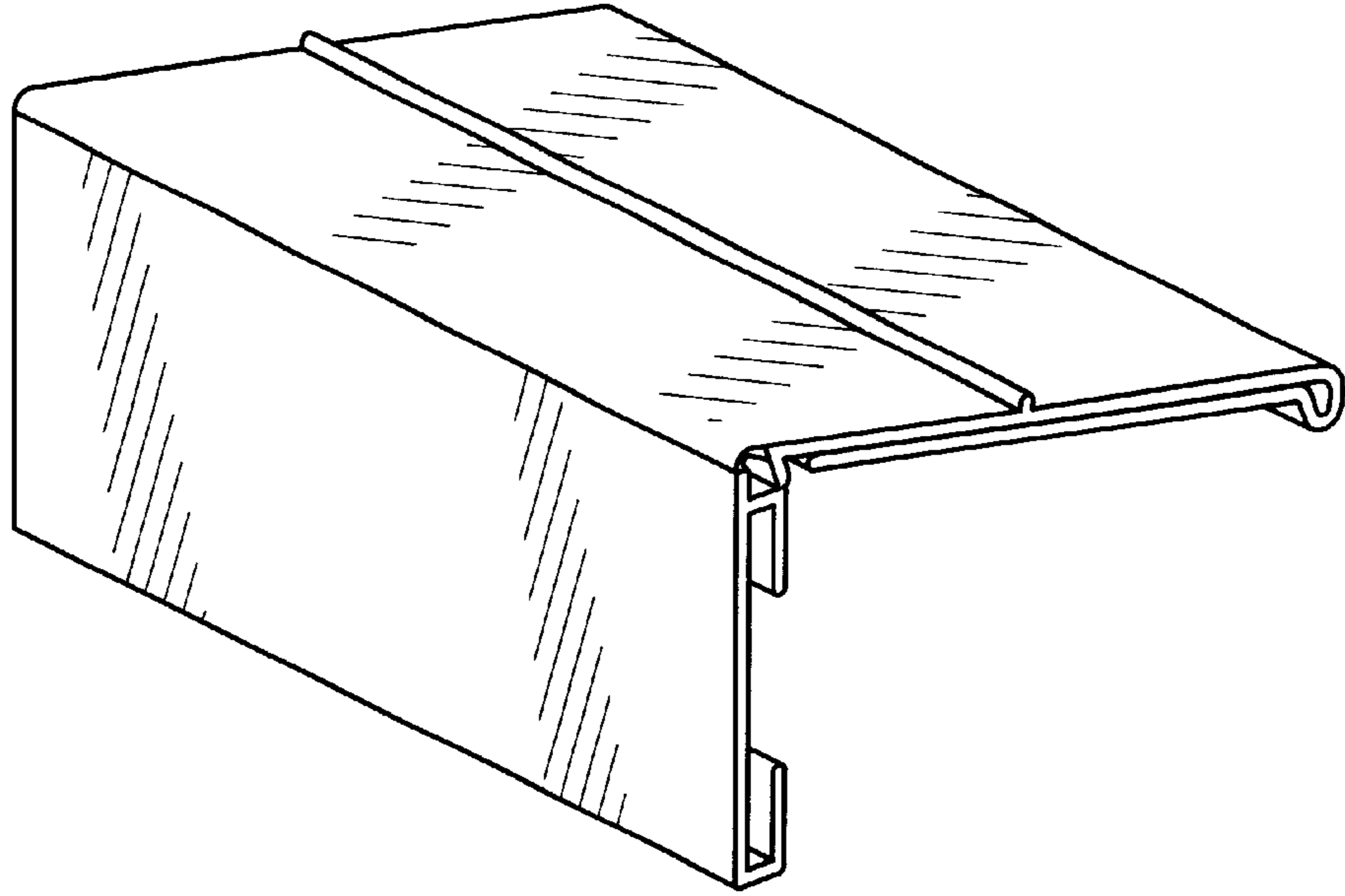


FIG. 26

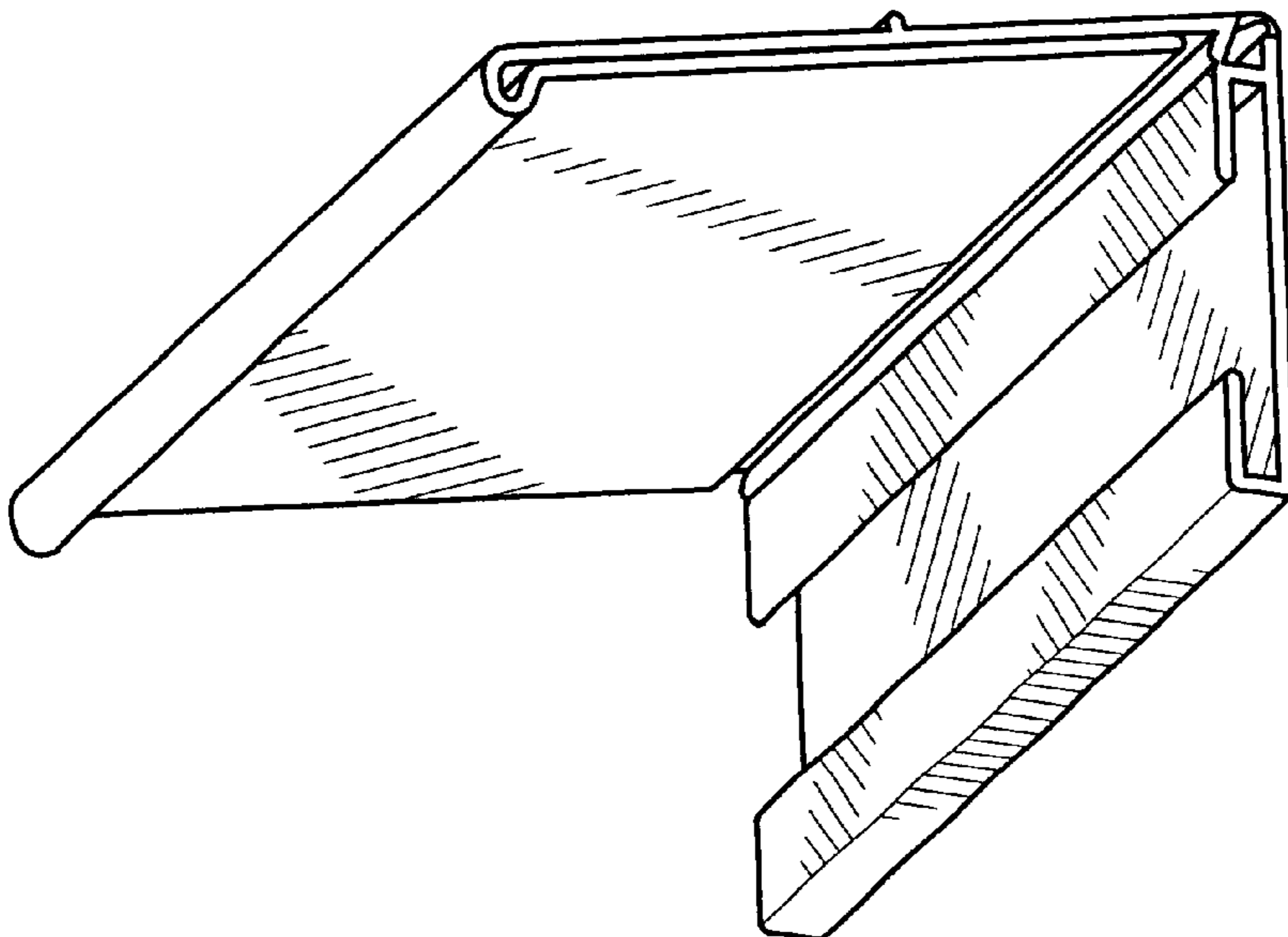


FIG. 27

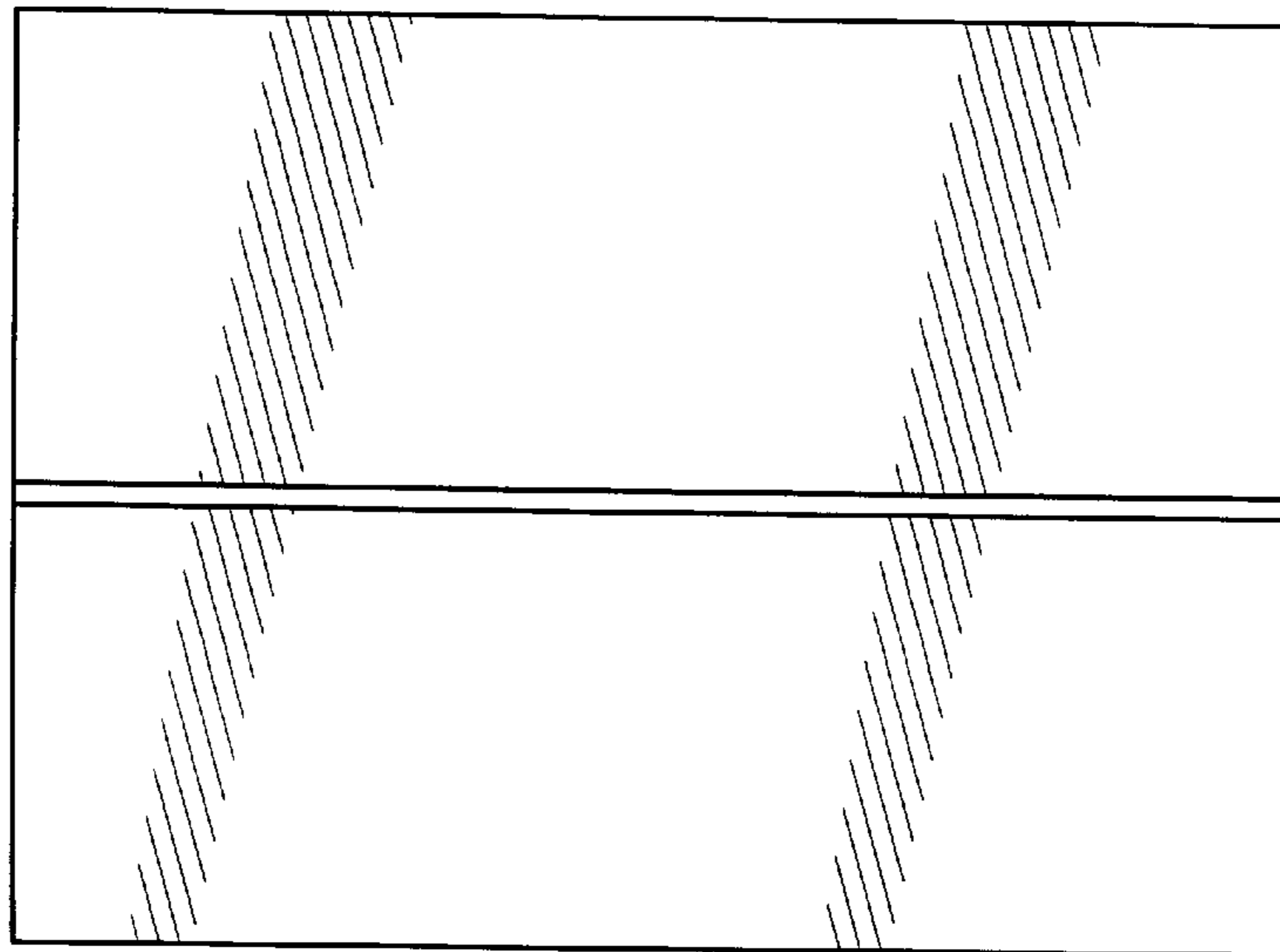


FIG. 28

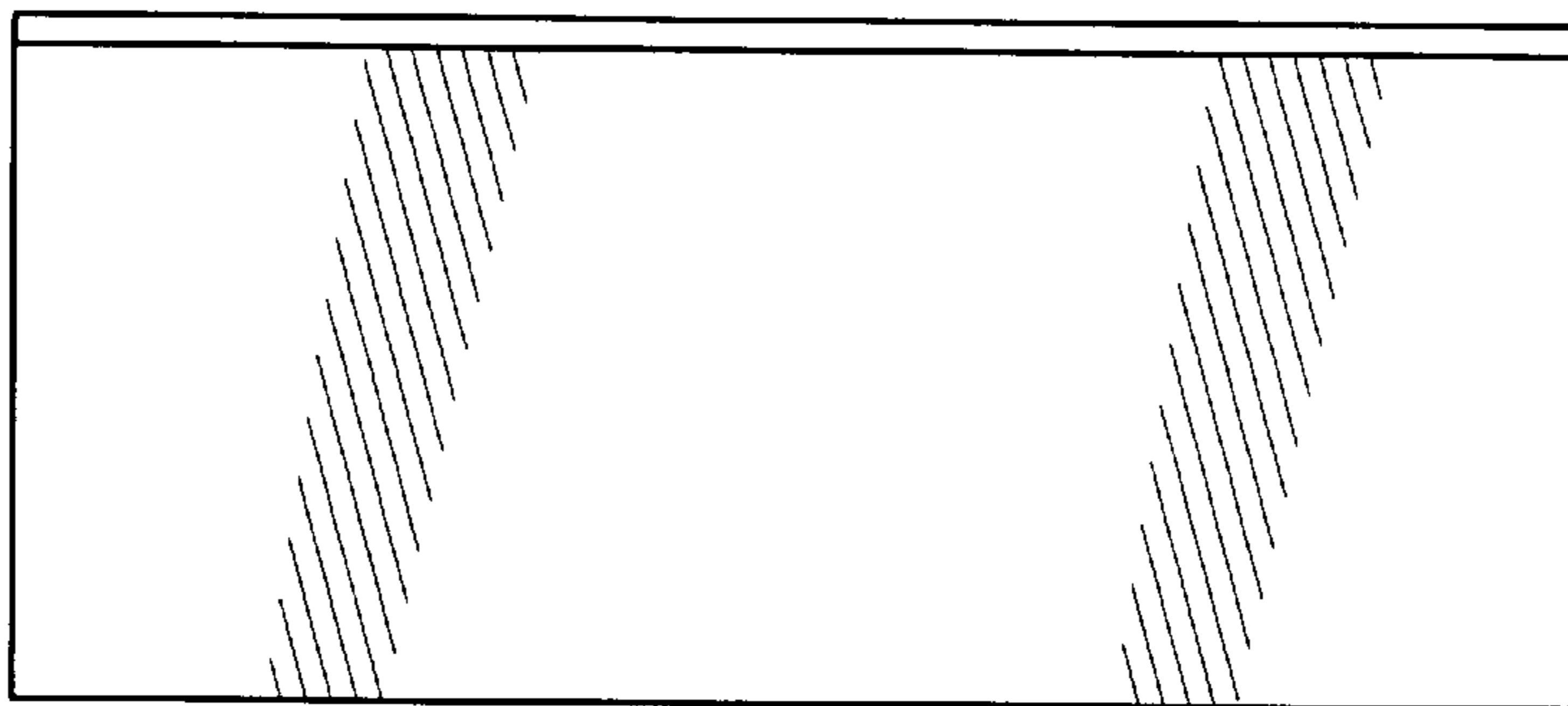


FIG. 29

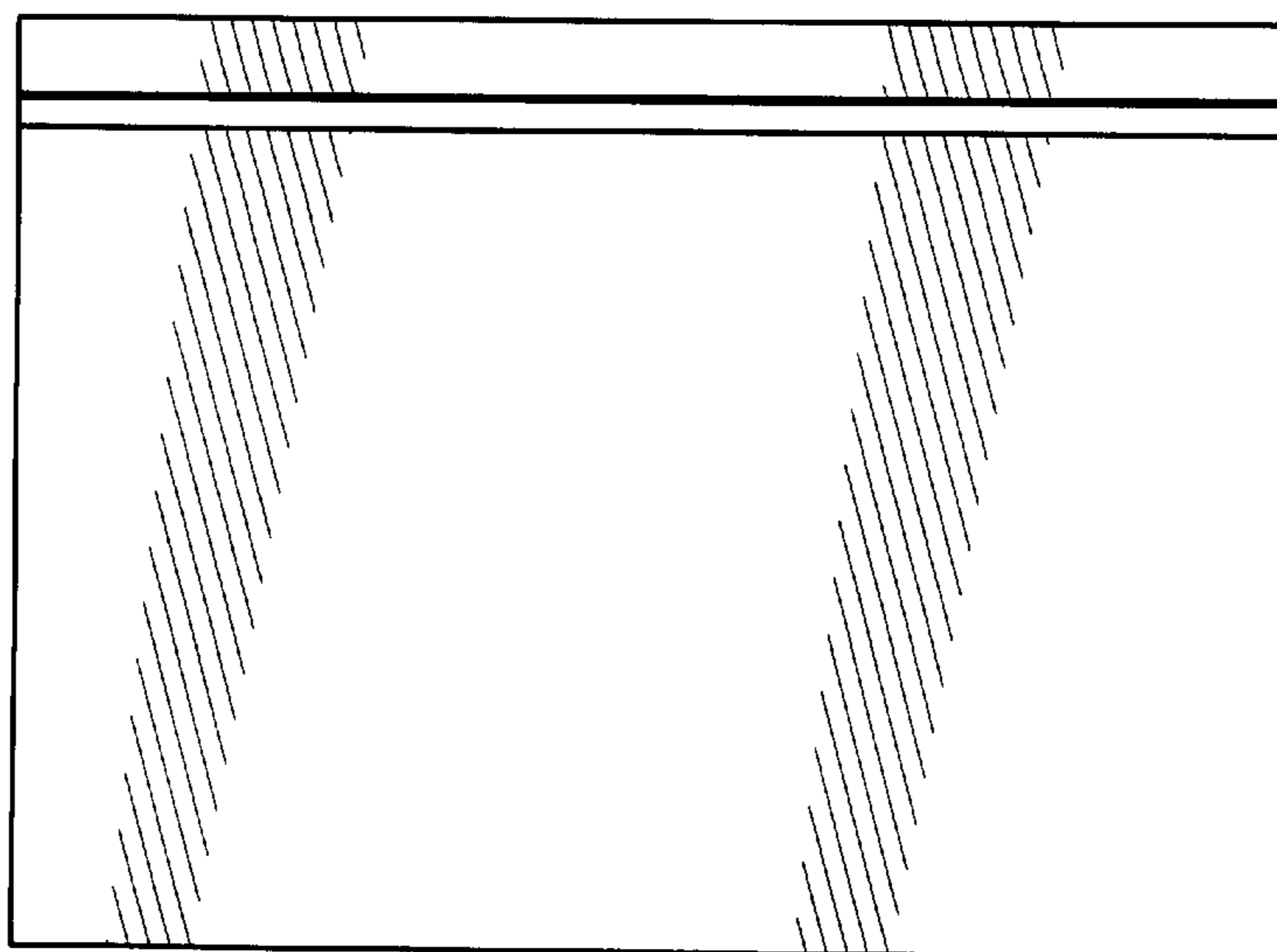


FIG. 30

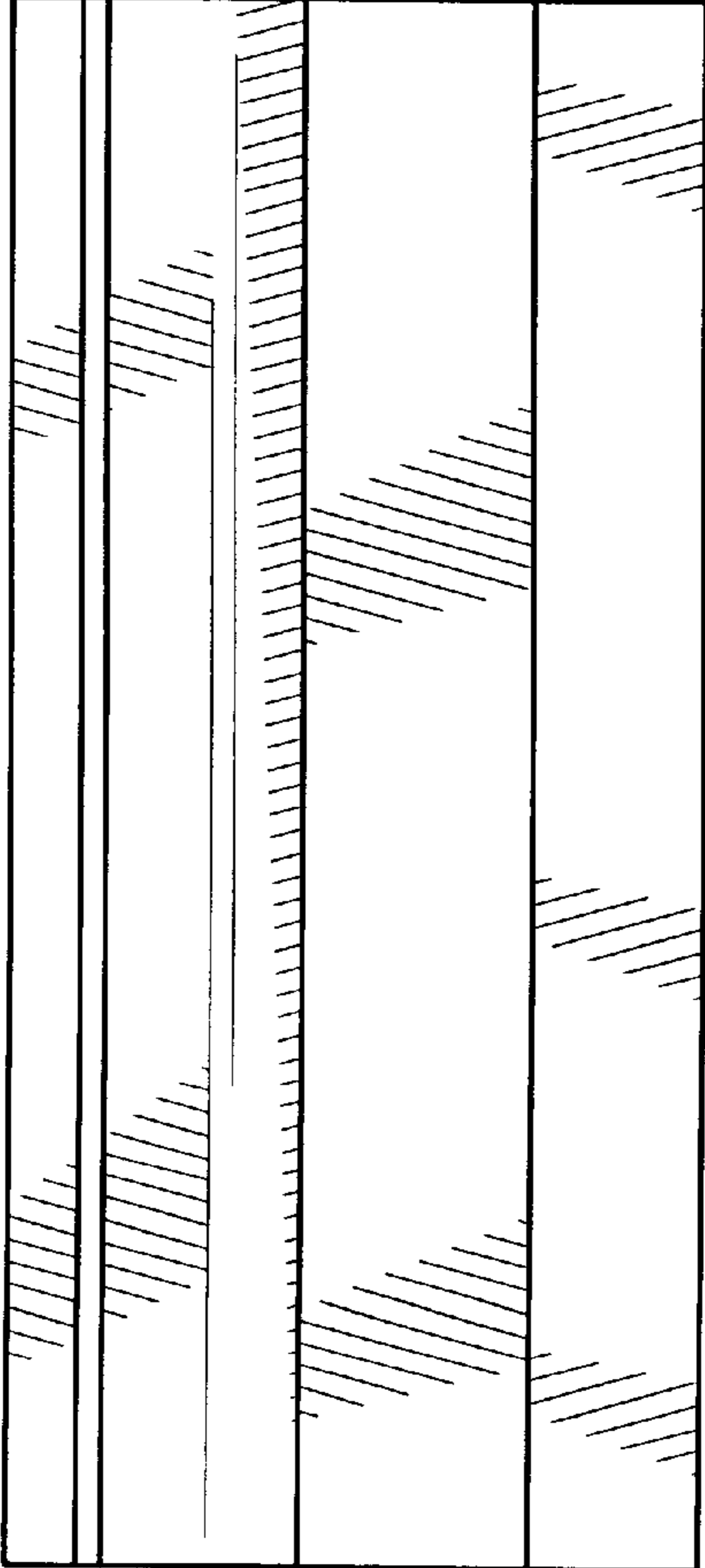


FIG. 31

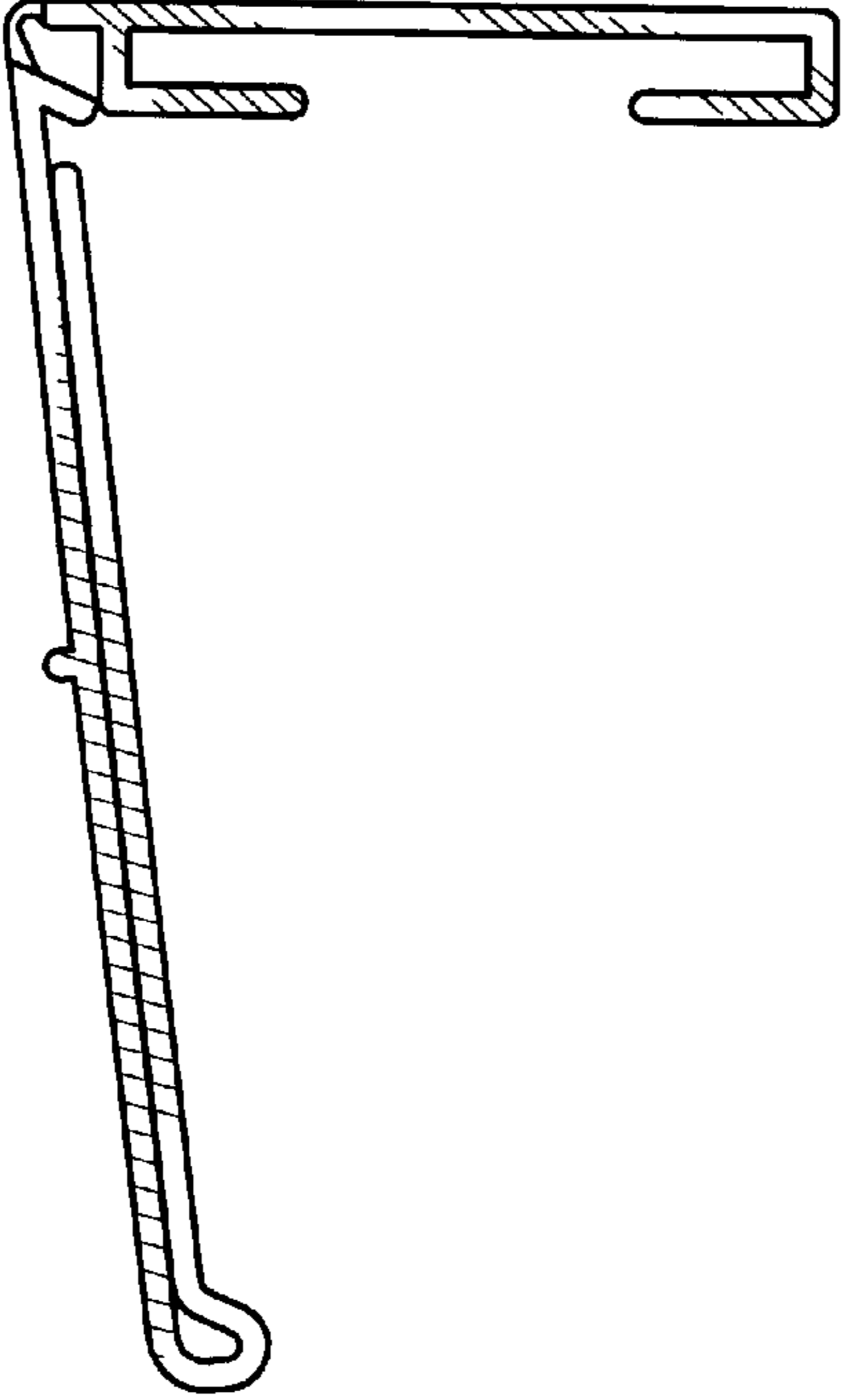


FIG. 32

