



US00D485579S

(12) **United States Design Patent**
Gaska et al.

(10) **Patent No.:** **US D485,579 S**
(45) **Date of Patent:** **** Jan. 20, 2004**

(54) **SIDE OF FILE BIN**

(75) Inventors: **Gilius A. Gaska**, Madison, WI (US);
Erin M. Napolitano, Chicago, IL (US);
Jimmy-Quang Viet Doan, Chicago, IL (US)

(73) Assignee: **Berol Corporation**, Freeport, IL (US)

(**) Term: **14 Years**

(21) Appl. No.: **29/150,958**

(22) Filed: **Nov. 15, 2001**

(51) **LOC (7) Cl.** **19-02**

(52) **U.S. Cl.** **D19/90; D19/75; D19/99**

(58) **Field of Search** **D19/65, 75, 76, D19/86, 78, 90, 91, 92, 95, 99, 100; 206/425, 504, 507, 557; 211/10, 11, 50, 55**

(56) **References Cited**

U.S. PATENT DOCUMENTS

3,281,193	A	10/1966	Murray	312/184
3,393,827	A	* 7/1968	Asenbauer	206/504
3,865,445	A	2/1975	Dean et al.	312/184
4,114,963	A	9/1978	Menahem	312/184
4,234,238	A	11/1980	Figuroa	312/184
4,643,306	A	2/1987	Ryan	206/425
4,652,165	A	3/1987	Bertesi et al.	402/4
4,726,635	A	2/1988	Rariden et al.	312/184
4,775,069	A	10/1988	Stonier	220/6
4,901,867	A	2/1990	Petty, Jr.	211/46
D310,107	S	* 8/1990	Murphy et al.	D19/90
D316,114	S	* 4/1991	Hwang	D19/90
5,088,801	A	2/1992	Rorke et al.	312/184
5,197,762	A	3/1993	Abramov	281/43
D351,621	S	* 10/1994	Terzian	D19/90
5,678,797	A	10/1997	Gogan	248/251

D400,926	S	* 11/1998	Stravitz	D19/90
5,873,642	A	2/1999	Domenig	312/183
5,899,626	A	5/1999	Hatano et al.	402/4
6,170,677	B1	* 1/2001	Meltser	211/55
D454,371	S	* 3/2002	Goodman et al.	D19/92
D454,914	S	* 3/2002	Gaska et al.	D19/99

* cited by examiner

Primary Examiner—Martie K. Holtje

(74) *Attorney, Agent, or Firm*—Marshall, Gerstein & Borun LLP

(57) **CLAIM**

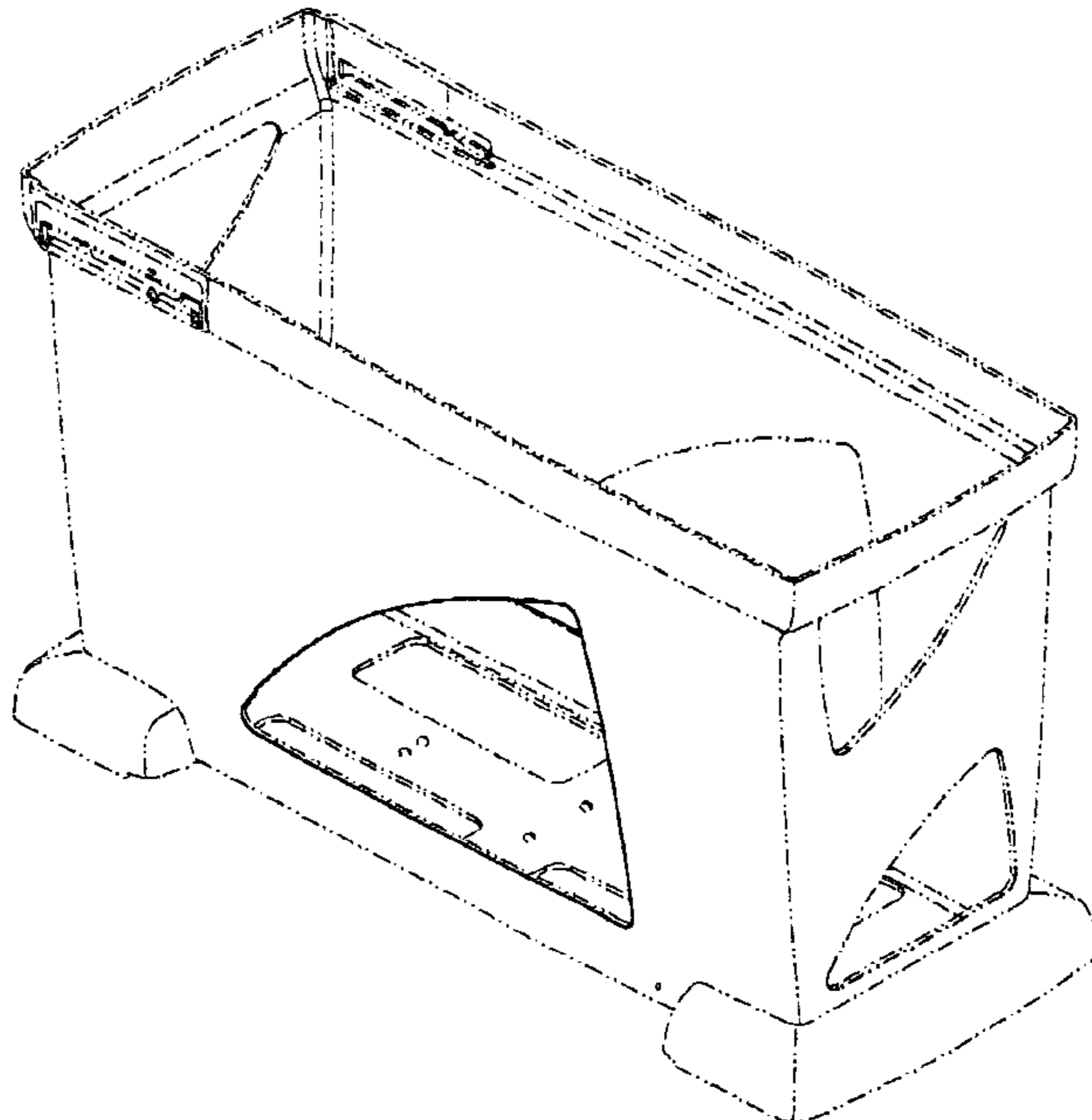
We claim the ornamental design for a side of file bin, as shown and described.

DESCRIPTION

FIG. 1 is a top perspective view of a side of a file bin showing our new design;
 FIG. 2 is a front elevational view thereof;
 FIG. 3 is a right side elevational view, the left side elevational view being a mirror image thereof;
 FIG. 4 is a top plan view thereof;
 FIG. 5 is a bottom plan view thereof;
 FIG. 6 is a top perspective view of a first alternate embodiment of the side of file bin shown in FIG. 1;
 FIG. 7 is a front elevational view of the first alternate embodiment shown in FIG. 6;
 FIG. 8 is a top perspective view of a second alternate embodiment of the side of file bin shown in FIG. 1; and,
 FIG. 9 is a front elevational view of the second alternate embodiment shown in FIG. 8.

The ornamental design which is claimed is shown in solid lines in the drawings. The broken lines in the drawings are for illustrative purposes only and form no part of the claimed design.

1 Claim, 4 Drawing Sheets



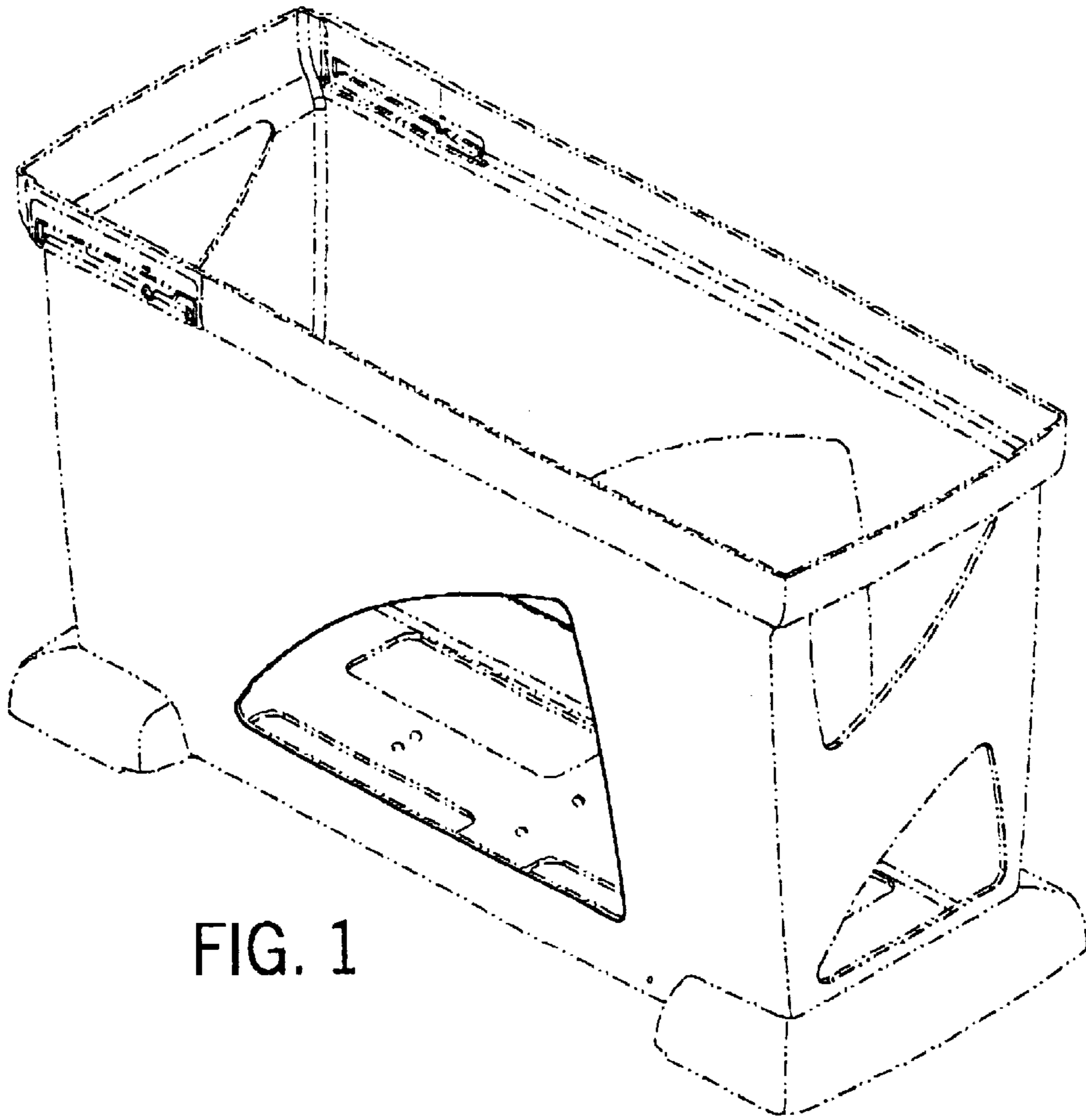


FIG. 1

FIG. 2

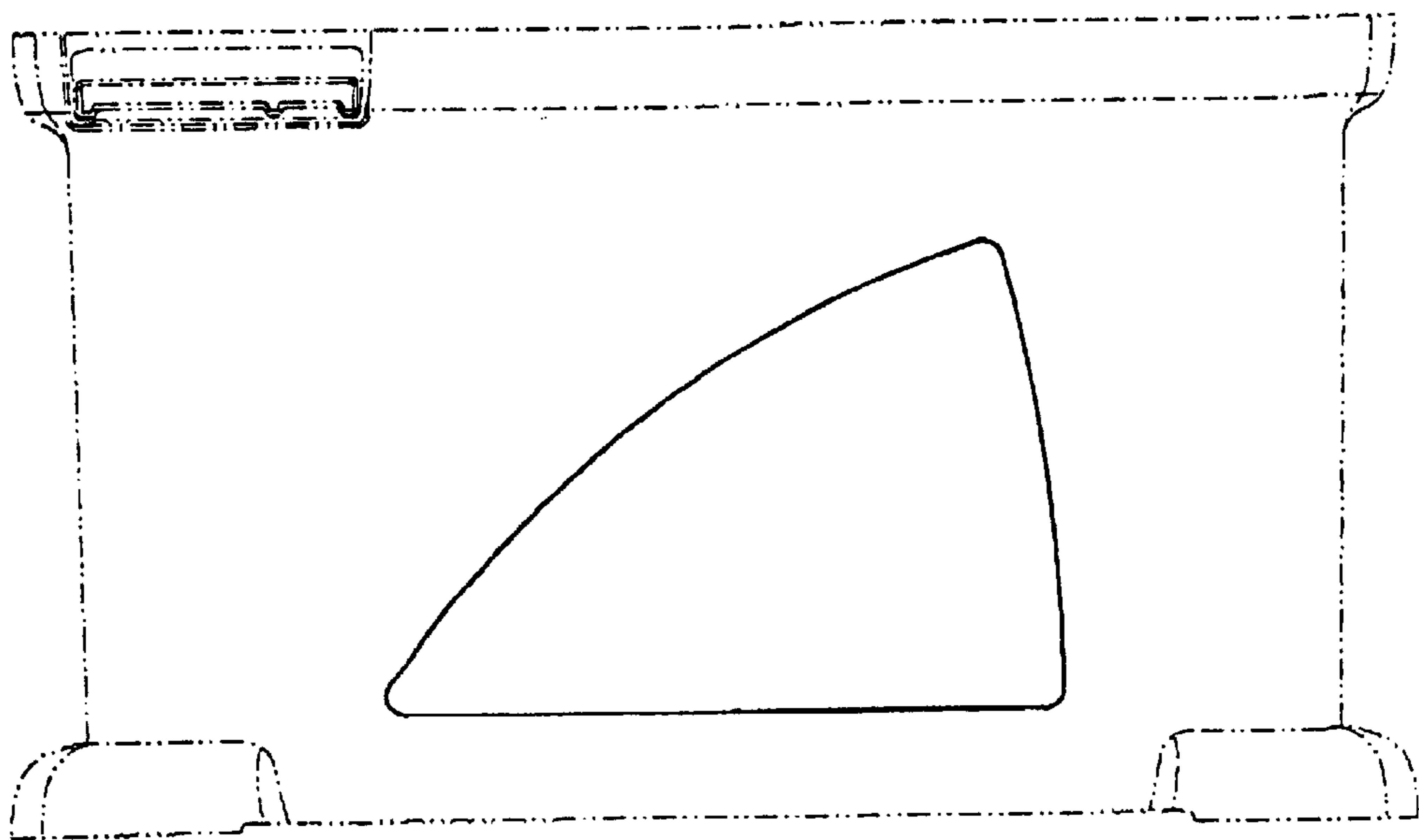


FIG. 3

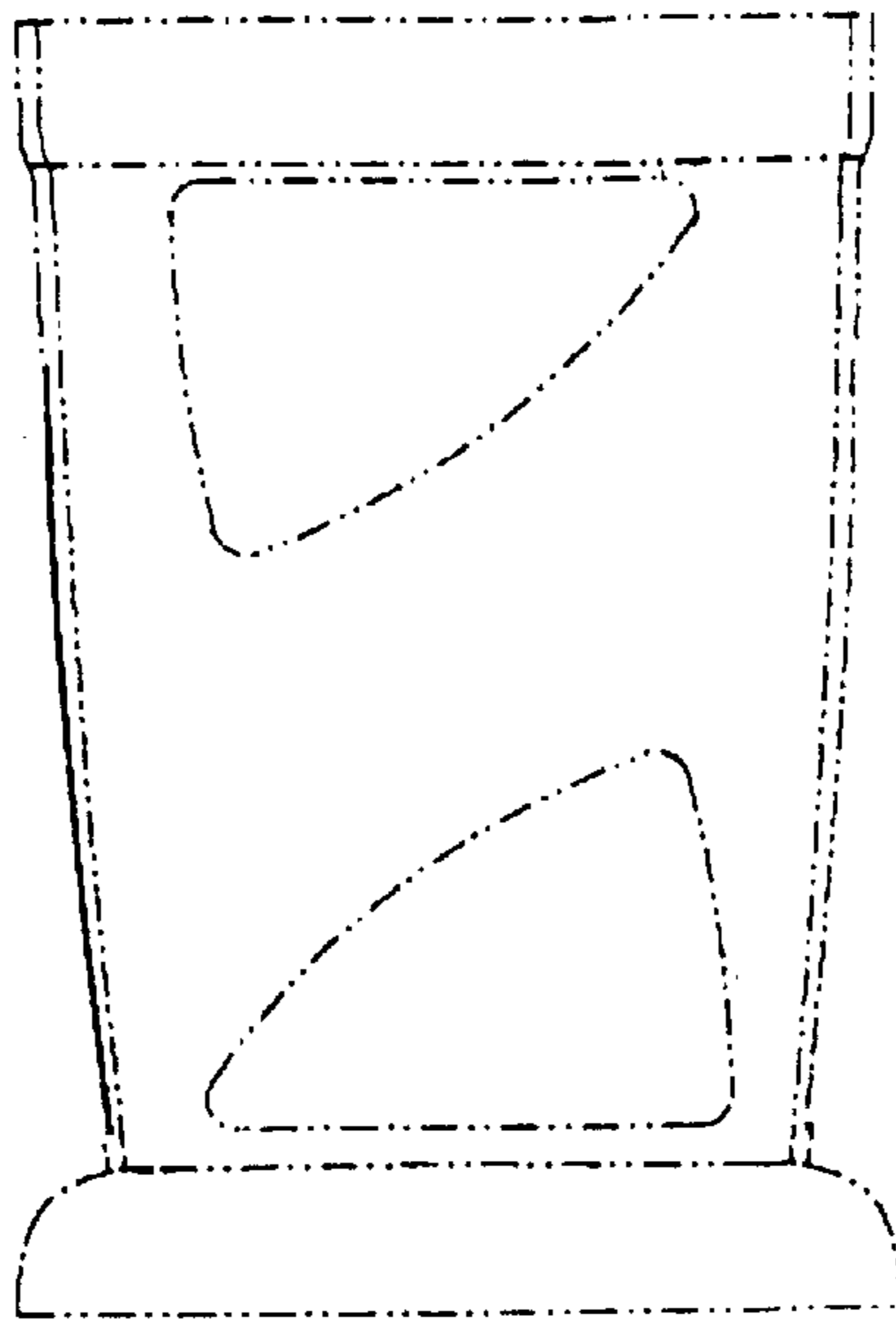


FIG. 4

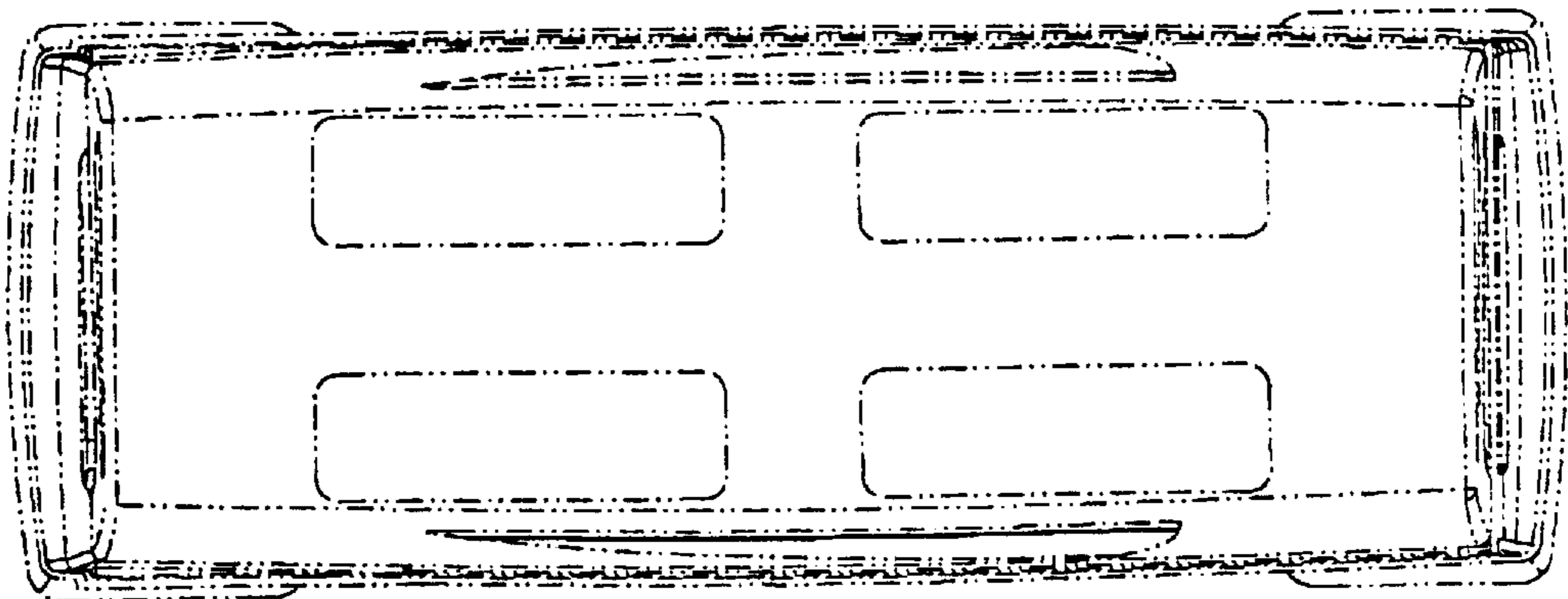
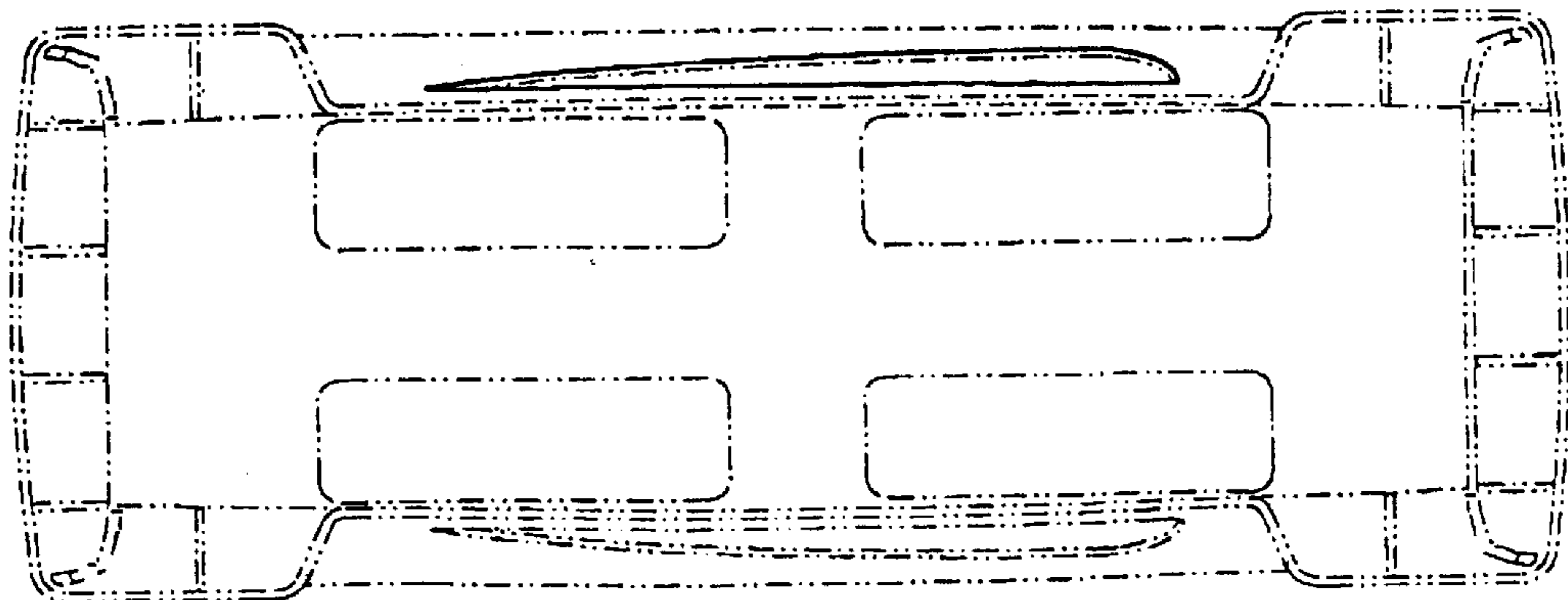


FIG. 5



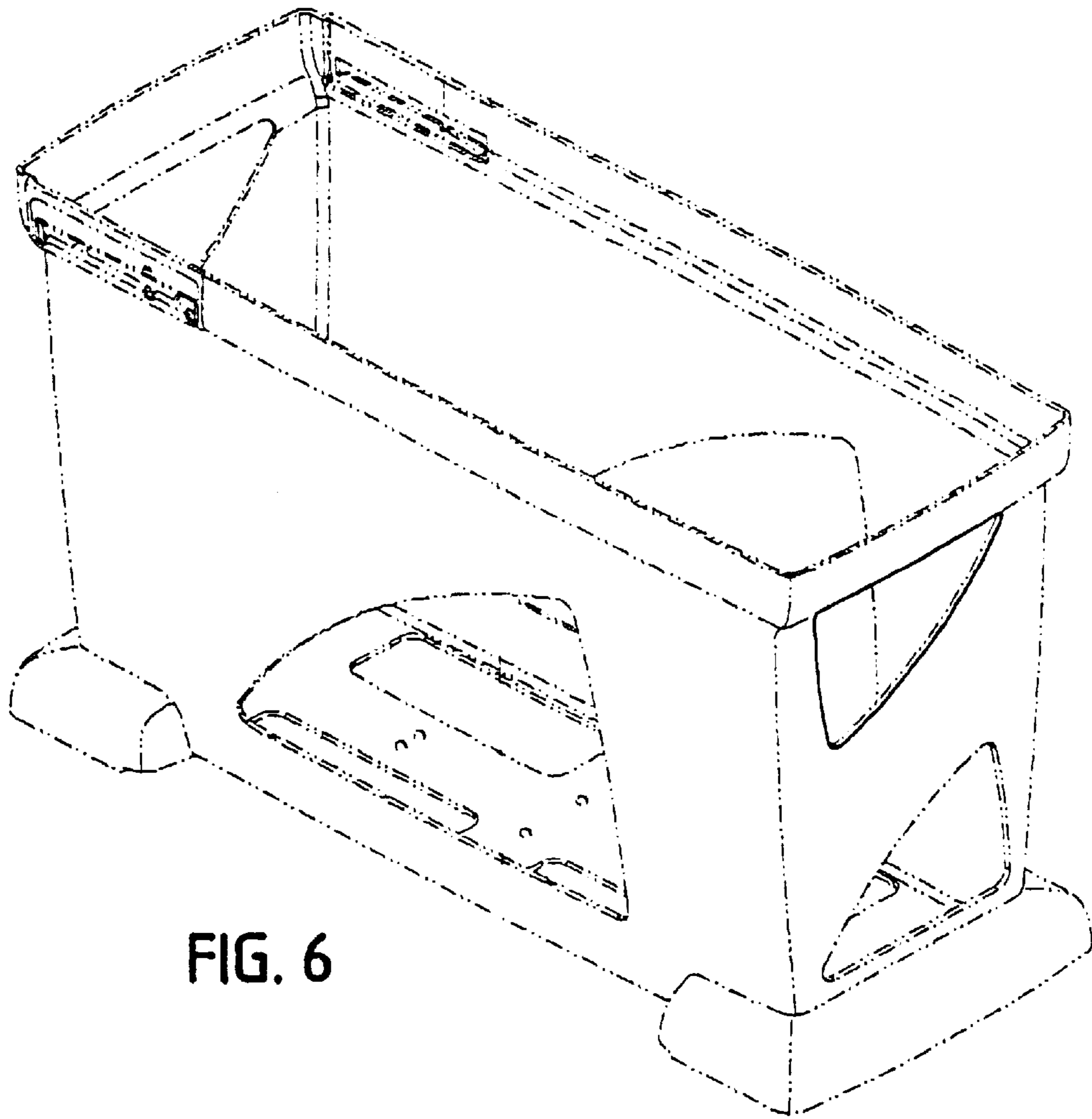
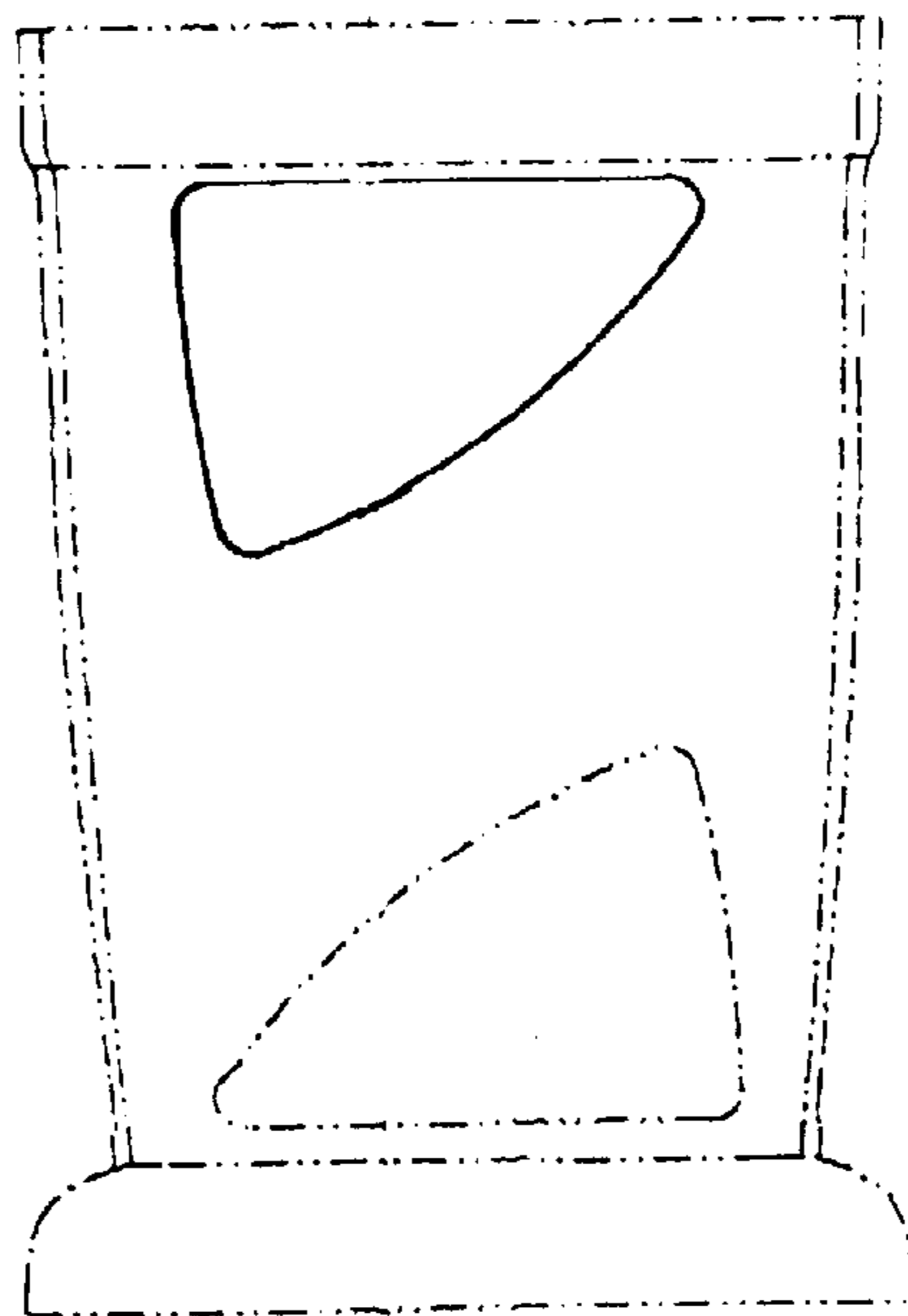


FIG. 6

FIG. 7



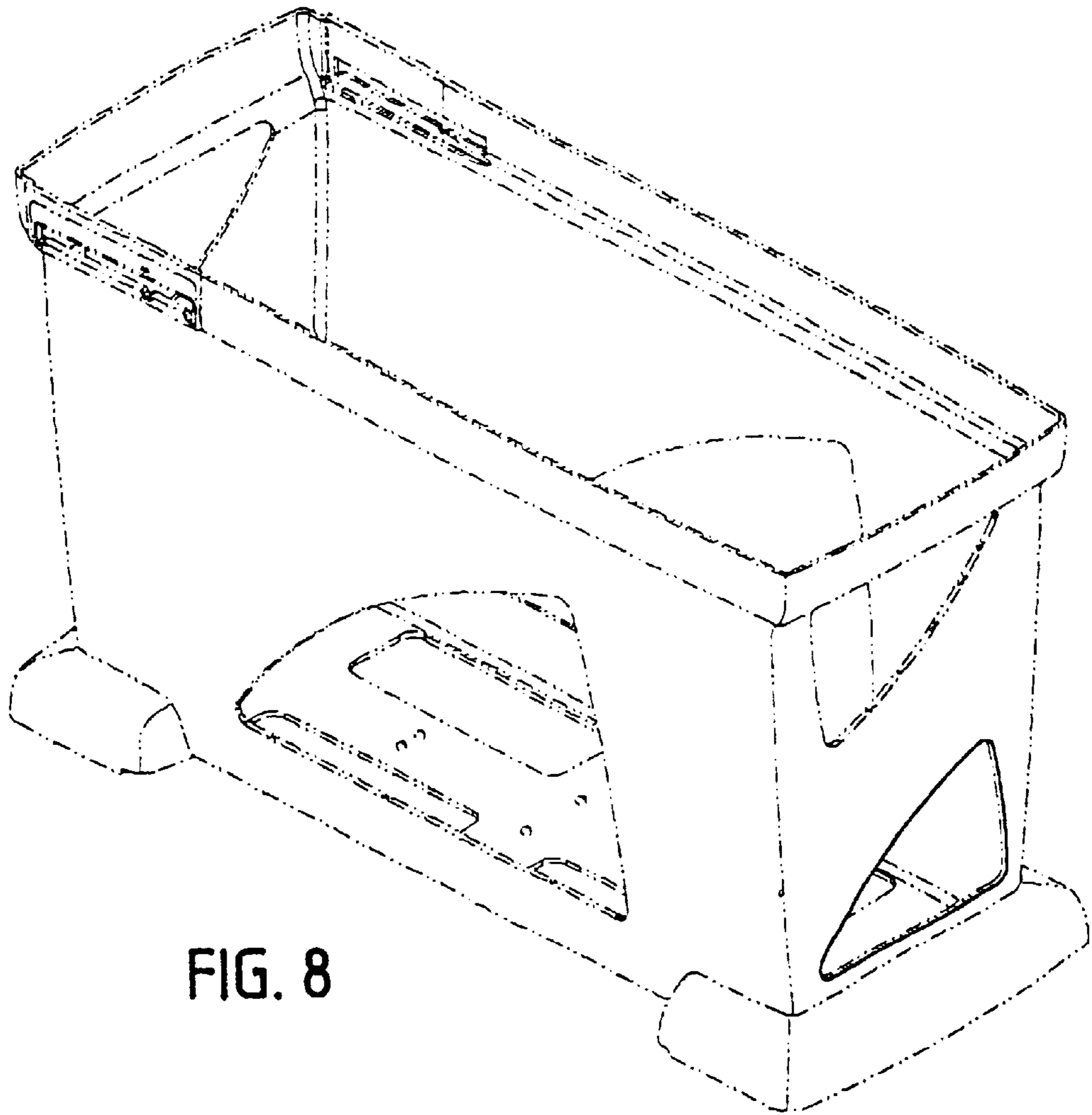


FIG. 8

FIG. 9

