



US00D485578S

(12) **United States Design Patent**
Chandaria

(10) **Patent No.: US D485,578 S**

(45) **Date of Patent: ** Jan. 20, 2004**

(54) **TAPE DISPENSER AND HANG TAG FOR USE THEREWITH**

(76) **Inventor: Ashok Chandaria, P.O. Box 48020, Nairobi (KE)**

(**) **Term: 14 Years**

(21) **Appl. No.: 29/176,906**

(22) **Filed: Feb. 25, 2003**

(51) **LOC (7) Cl. 19-02**

(52) **U.S. Cl. D19/69; D9/415; D19/67**

(58) **Field of Search D19/65, 67, 68, D19/69, 89, 99, 100; 206/389, 395-398, 409, 411, 415; D9/415; 225/6, 7, 19, 25, 26-28, 34-36, 45, 46, 52, 56, 53, 65, 77, 89; 156/327, 527, 523, 577; 242/588, 588.1-588.6, 598.5, 419.4; 15/104.94**

(56) **References Cited**

U.S. PATENT DOCUMENTS

D118,629 S	*	1/1940	Reinecke	D19/69
3,086,309 A	*	4/1963	Katz	206/397 X
D234,122 S	*	1/1975	Horblitt	D9/415
D260,368 S	*	8/1981	Dunshee et al.	D9/415
4,437,854 A	*	3/1984	Knoop	225/25 X
D288,533 S	*	3/1987	Jialanella et al.	D9/415

D322,030 S	*	12/1991	Chument	D19/67 X
5,083,717 A	*	1/1992	Samuelson et al.	252/588.6
D331,262 S	*	11/1992	O'Brian	D19/69
5,328,115 A	*	7/1994	Samuelson et al.	242/588.6
5,370,916 A	*	12/1994	Olsen	206/411 X
D458,124 S	*	6/2002	Kvame	D9/415
6,460,800 B1	*	10/2002	Watanabe et al.	242/598.5

* cited by examiner

Primary Examiner—Martie K. Holtje

(74) *Attorney, Agent, or Firm*—Sand + Sebolt

(57) **CLAIM**

The ornamental design for tape dispenser and hang tag for use therewith, as shown and described.

DESCRIPTION

FIG. 1 is a perspective rear view of a tape dispenser and hang tag for use therewith in accordance with the present design;

FIG. 2 is a rear view of the tape dispenser of FIG. 1;

FIG. 3 is a front view of the tape dispenser of FIG. 1;

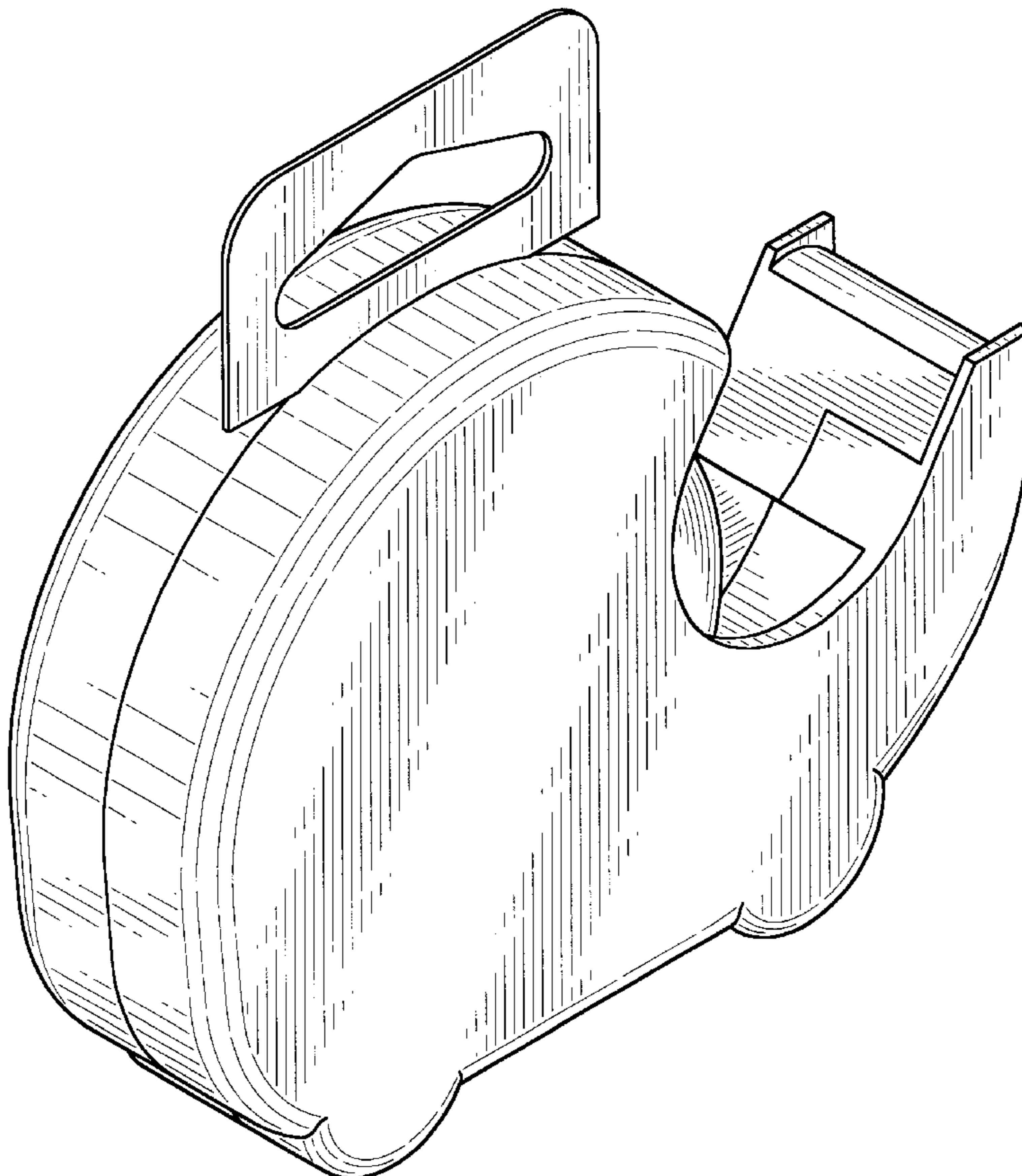
FIG. 4 is a top view of the tape dispenser of FIG. 1;

FIG. 5 is a bottom view of the tape dispenser of FIG. 1;

FIG. 6 is a first side view of the tape dispenser of FIG. 1; and,

FIG. 7 is a second side view of the tape dispenser of FIG. 1.

1 Claim, 3 Drawing Sheets



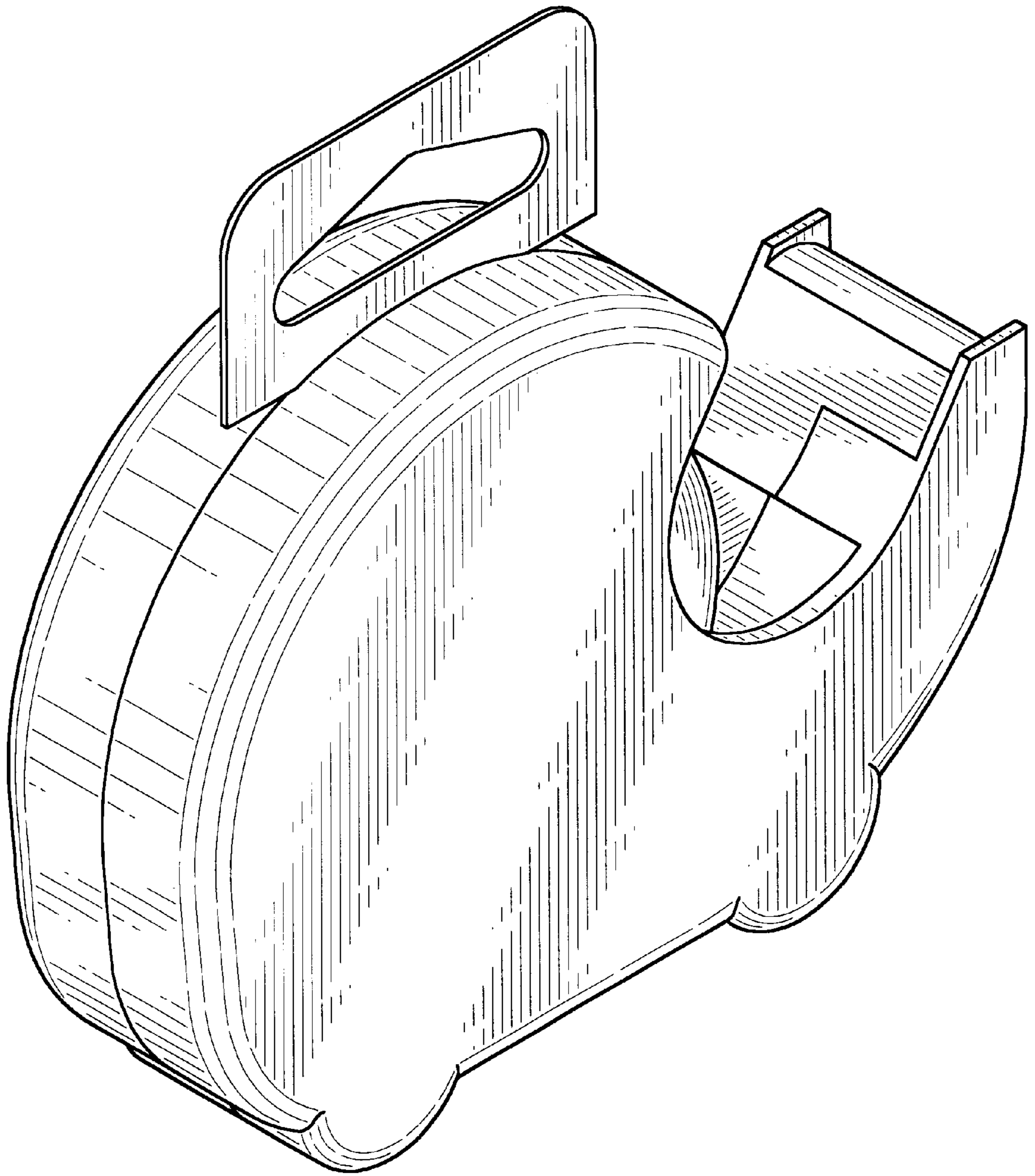


FIG-1

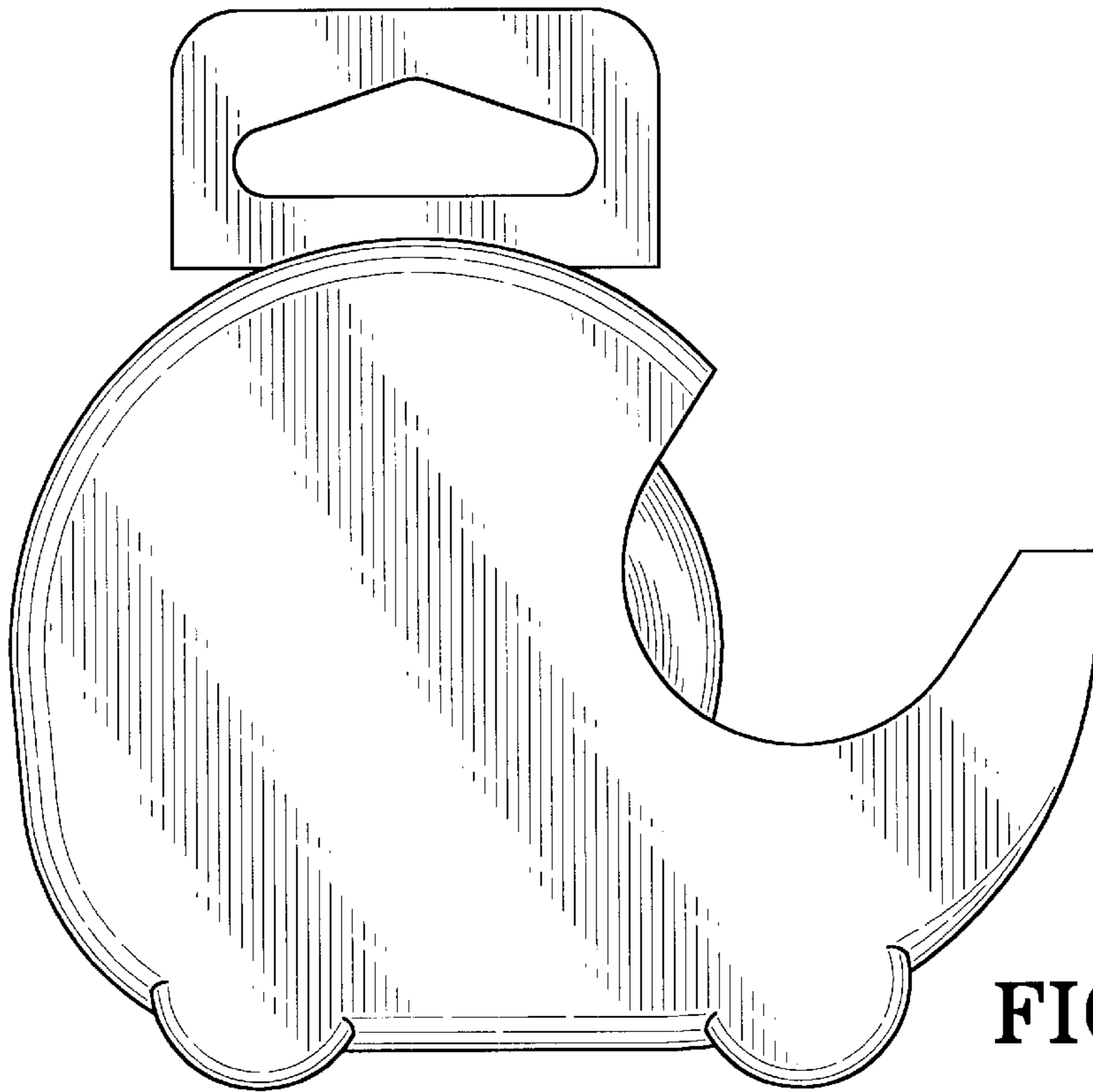


FIG-2

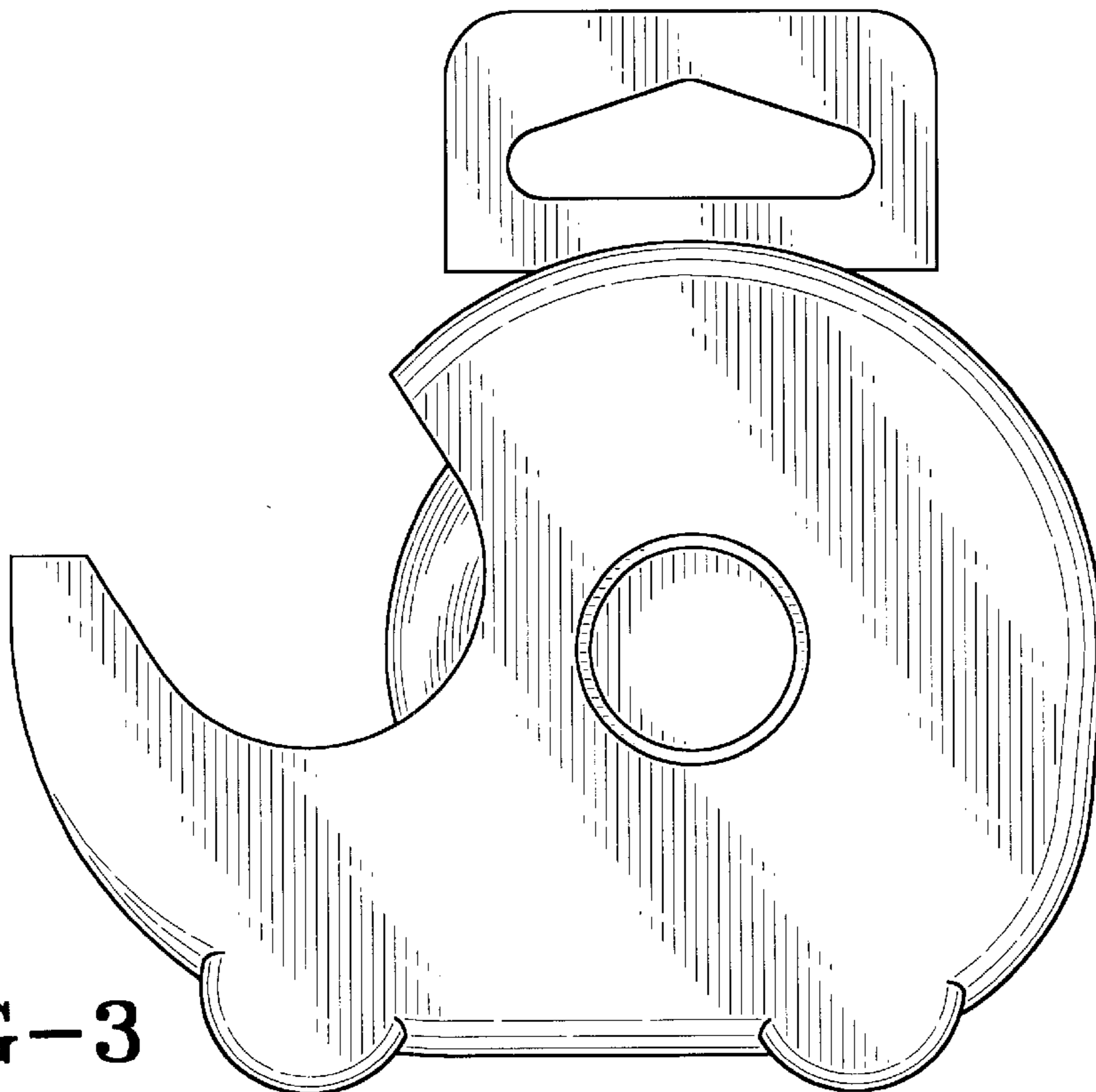


FIG-3

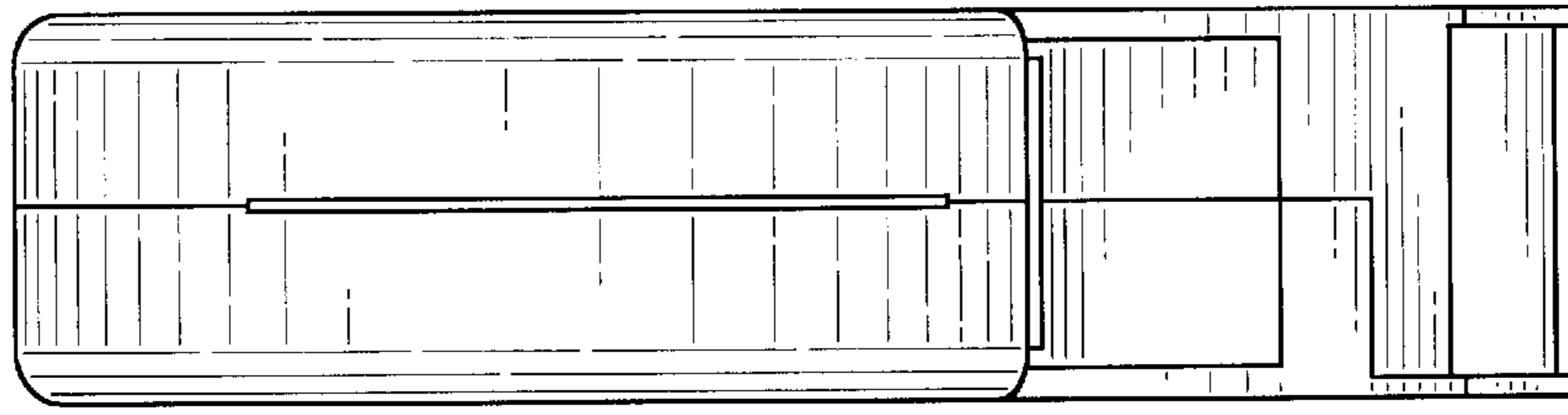


FIG-4

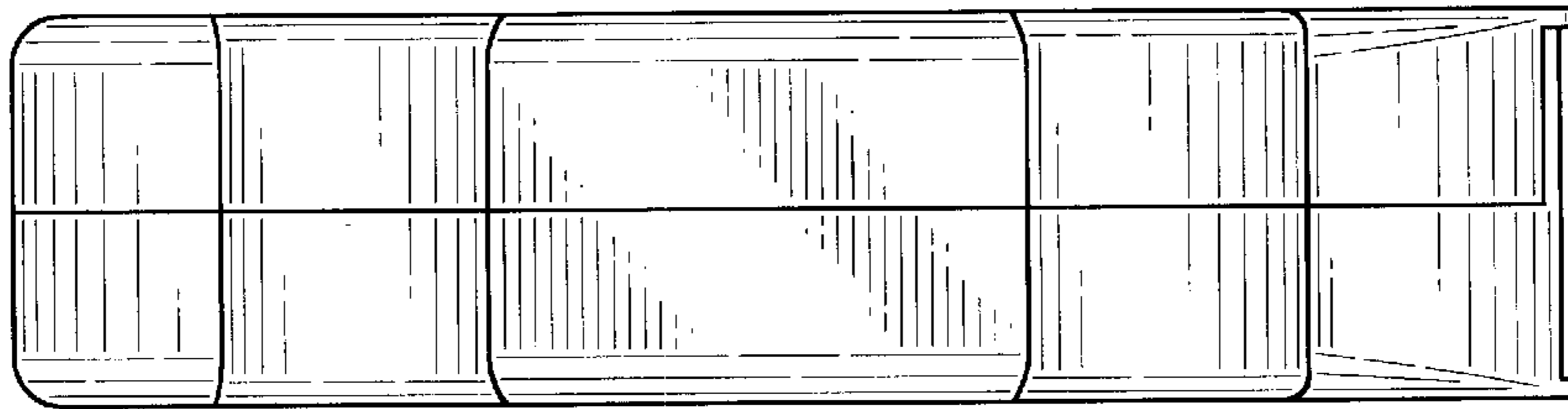


FIG-5

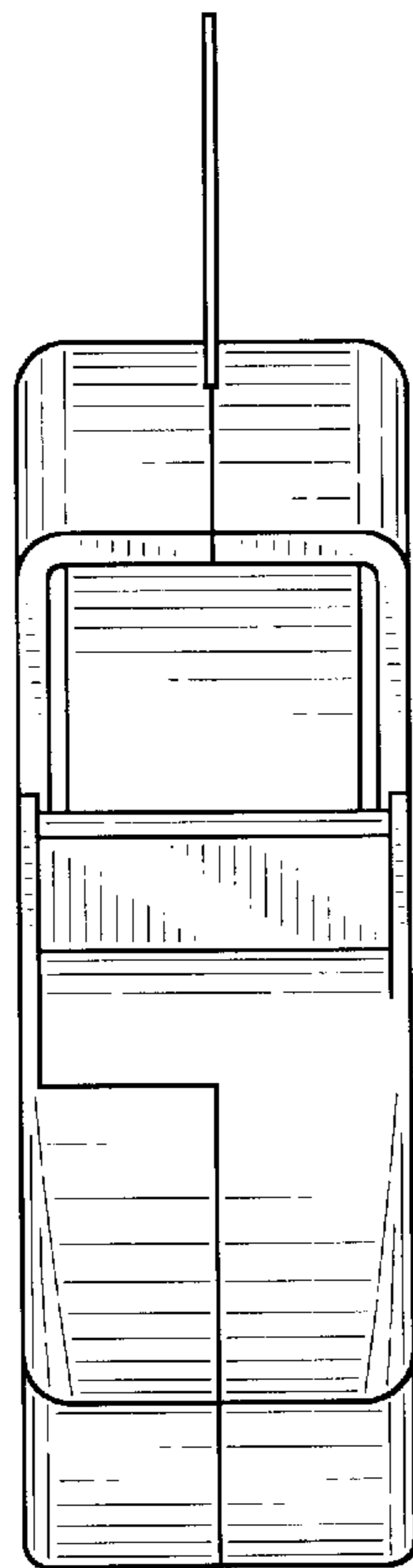


FIG-6

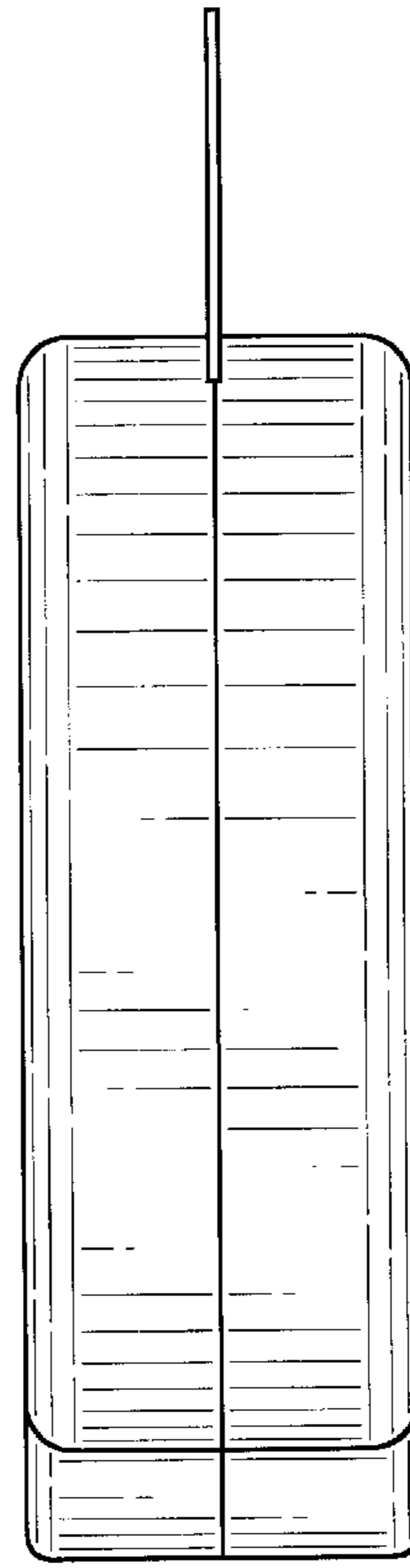


FIG-7