



US00D485574S

(12) **United States Design Patent**
Keil

(10) **Patent No.:** **US D485,574 S**

(45) **Date of Patent:** **** Jan. 20, 2004**

(54) **WRITING UTENSIL**

(75) Inventor: **Siegfried Keil**, Gross-Bieberau (DE)

(73) Assignee: **Merz & Krell GmbH & Co KGaA**
(DE)

(**) Term: **14 Years**

(21) Appl. No.: **29/133,771**

(22) Filed: **Dec. 5, 2000**

(30) **Foreign Application Priority Data**

Jun. 5, 2000 (DE) 400 05 315

(51) **LOC (7) Cl.** **19-06**

(52) **U.S. Cl.** **D19/50; D19/56; D19/55**

(58) **Field of Search** D19/35, 36, 41-51,
D19/53-58, 81-85; 24/10 R, 11 R; 401/99,
100, 103-106, 110-116, 209, 6, 7, 88

(56) **References Cited**

U.S. PATENT DOCUMENTS

D303,549 S	*	9/1989	Horntrich	D19/48
D319,845 S	*	9/1991	Grotsch et al.	D19/48
D345,577 S	*	3/1994	Hohner	D19/48
D395,674 S	*	6/1998	Gacia	D19/51
D414,807 S	*	10/1999	Baudino et al.	D19/55
D430,209 S	*	8/2000	Rommel	D19/50
D435,065 S	*	12/2000	Nagel	D19/50
D441,017 S	*	4/2001	Gault et al.	D19/50
D443,896 S	*	6/2001	Briggl et al.	D19/49

FOREIGN PATENT DOCUMENTS

GB	43057	12/1996
RU	43057	12/1996

OTHER PUBLICATIONS

Japan-Notification of Reason for Refusal, Design Application No. 2000-034843, Dispatch No. 057946, Dispatch Date Nov. 20, 2001.

Writing instruments of type KS Europa Pen 2000 illustrated in '98/'99 Catalogue of the company HSI Schreibgeräte GmbH.

Writing instruments of type WA Siebdruck in Catalogue 98 Partner set.

Writing instruments of type Proma Pen in Catalogue 98 Partner set.

Senator brochure, published about January 2000.

Senator German registration, March 1997.

Pentel design, known since about May 1998.

Staedtler design, known since about May 1996.

Pecher design, known since about May 1996.

* cited by examiner

Primary Examiner—Martie K. Holtje

(74) *Attorney, Agent, or Firm*—Hunton & Williams LLP

(57) **CLAIM**

The ornamental design for a writing utensil, as shown and described.

DESCRIPTION

FIG. 1 is a rear perspective view of a first embodiment of a writing utensil showing my new design;

FIG. 2 is a front perspective view of FIG. 1;

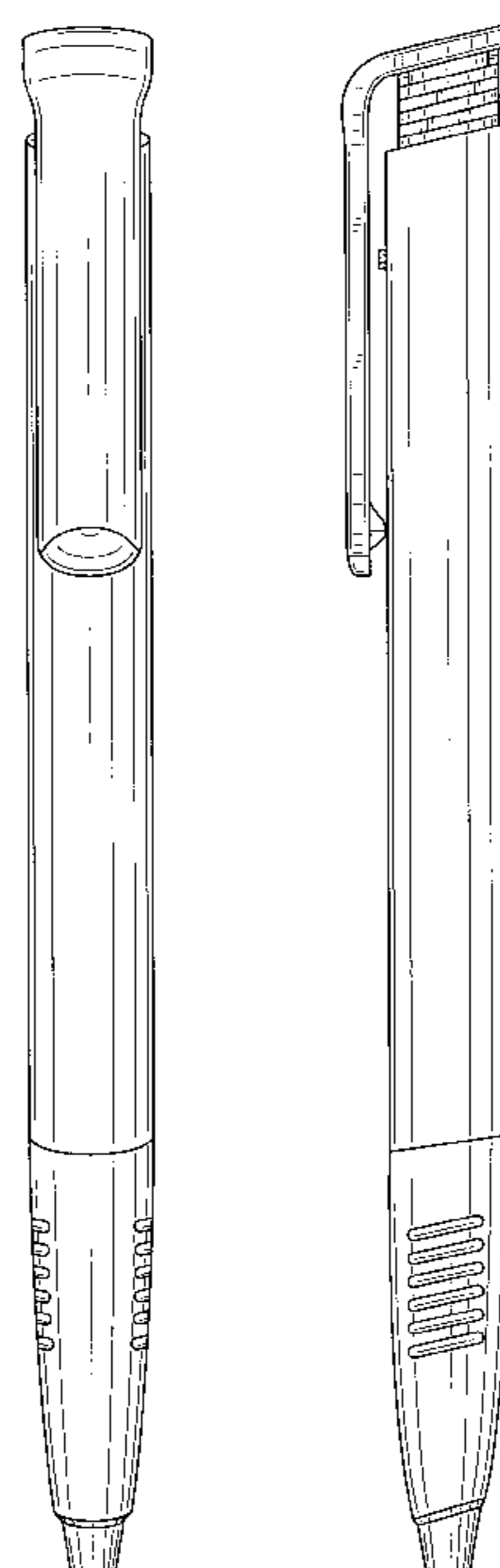
FIG. 3 is a left side elevational view of FIG. 1;

FIG. 4 is a rear elevational view of FIG. 1;

FIG. 5 is a front elevational view of FIG. 1; and,

FIG. 6 is a right side elevational view of FIG. 1.

1 Claim, 2 Drawing Sheets



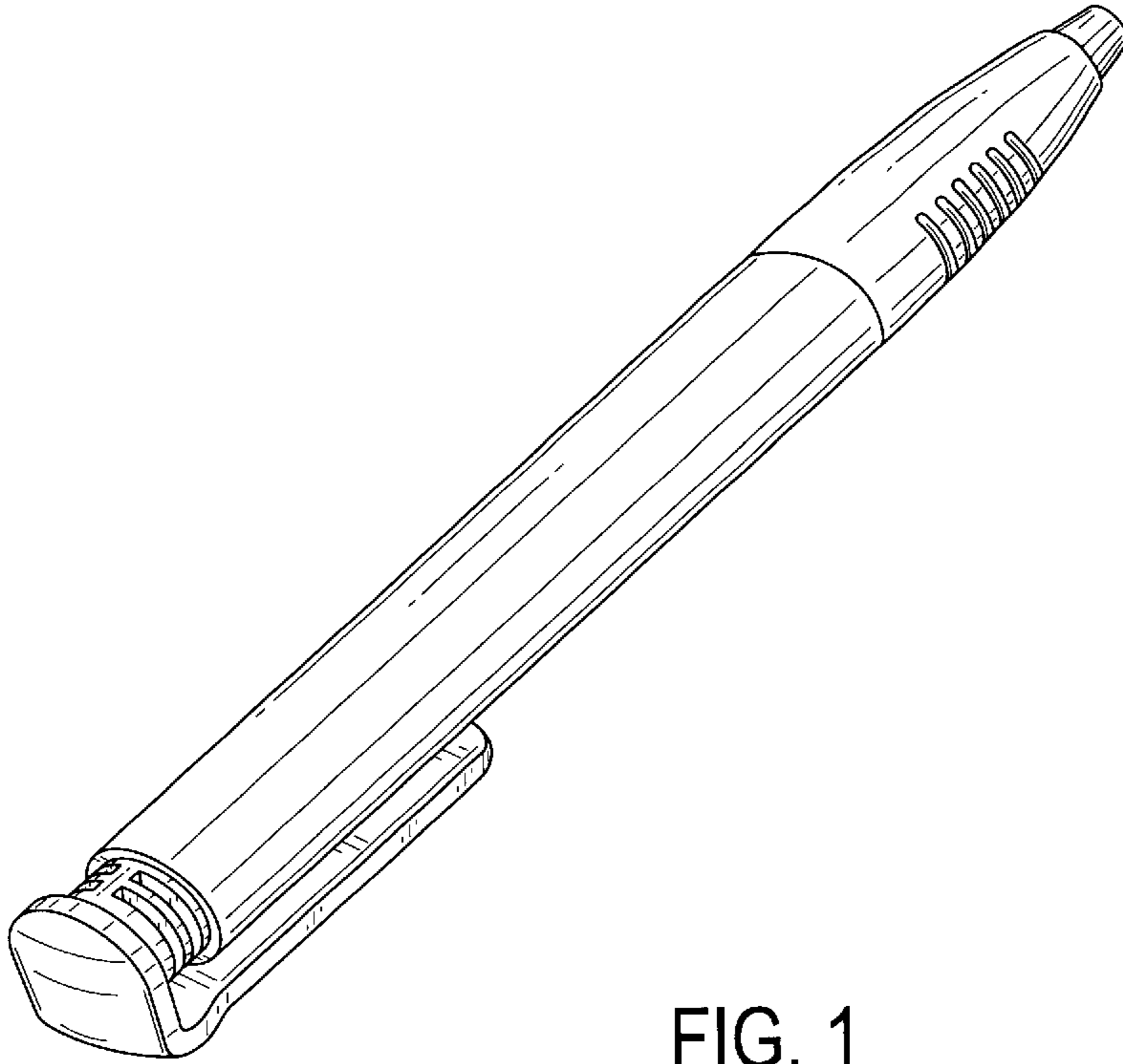


FIG. 1

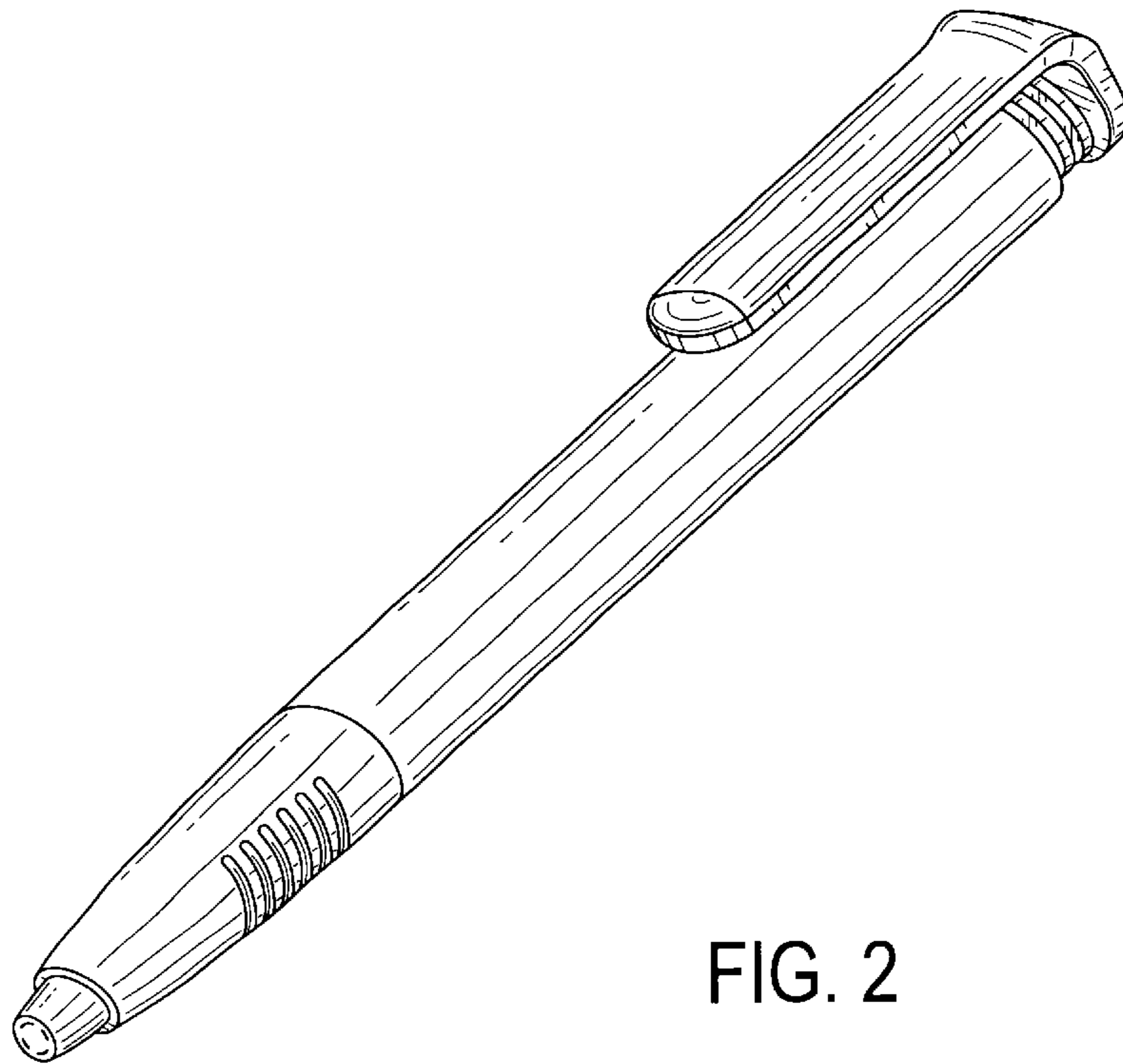


FIG. 2

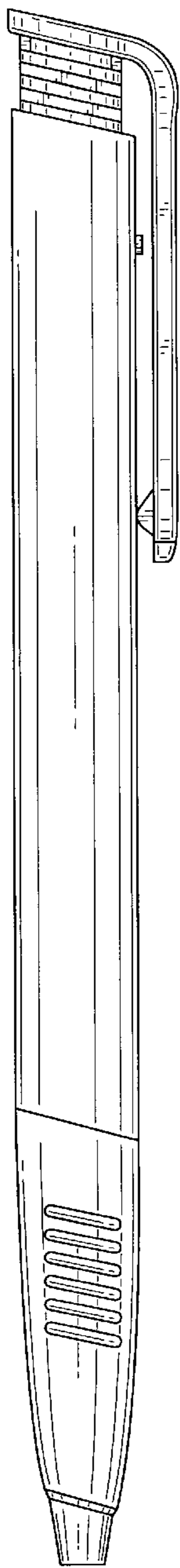


FIG. 3

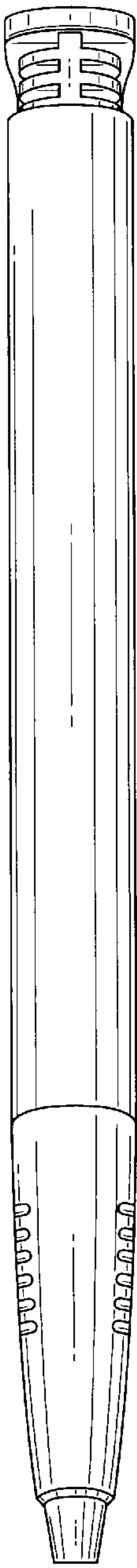


FIG. 4

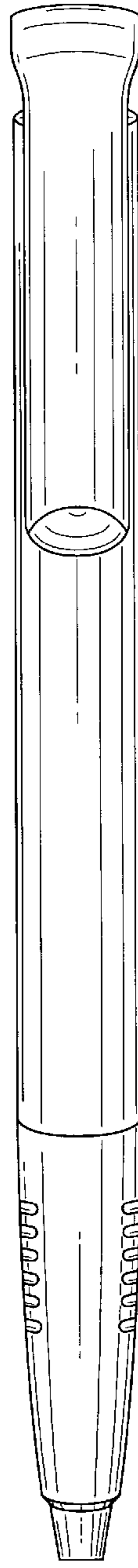


FIG. 5

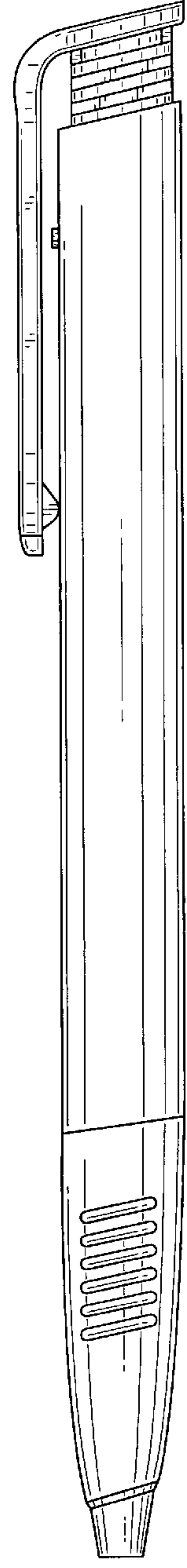


FIG. 6