



US00D485572S

(12) **United States Design Patent**
Ueno

(10) **Patent No.:** **US D485,572 S**

(45) **Date of Patent:** **** Jan. 20, 2004**

(54) **INK BOTTLE**

(75) Inventor: **Fumihiko Ueno**, Hachioji (JP)

(73) Assignee: **Olympus Corporation**, Tokyo (JP)

(**) Term: **14 Years**

(21) Appl. No.: **29/173,159**

(22) Filed: **Dec. 23, 2002**

Related U.S. Application Data

(62) Division of application No. 29/158,373, filed on Apr. 3, 2002.

(30) **Foreign Application Priority Data**

Jan. 11, 2002 (JP) 2002-612
Jan. 11, 2002 (JP) 2002-611
Jan. 22, 2002 (JP) 2002-613

(51) **LOC (7) Cl.** **18-02**

(52) **U.S. Cl.** **D18/56**

(58) **Field of Search** D18/56, 43; 347/86,
347/87; 399/262; D9/520, 521, 524, 533,
558, 573, 300, 434

(56) **References Cited**

U.S. PATENT DOCUMENTS

D214,973 S * 8/1969 Amand D9/520
D326,228 S 5/1992 Stratford et al. D9/521
D368,275 S 3/1996 Sakurai et al. D18/56

D384,586 S * 10/1997 Peek D9/520
D408,445 S 4/1999 Schwallie et al. D18/43
D408,846 S 4/1999 Schwallie et al. D18/43
D417,233 S 11/1999 Sabonis D18/56
D424,611 S 5/2000 Gasvoda et al. D18/56
D425,554 S 5/2000 Gasvoda et al. D18/56
6,164,743 A 12/2000 Hmelar et al. 347/86
6,296,353 B1 10/2001 Thielman et al. 347/86
D461,418 S * 8/2002 Lichtman et al. D9/434

* cited by examiner

Primary Examiner—Cathuy Anne MacCormac

(74) *Attorney, Agent, or Firm*—Hogan & Hartson LLP

(57) **CLAIM**

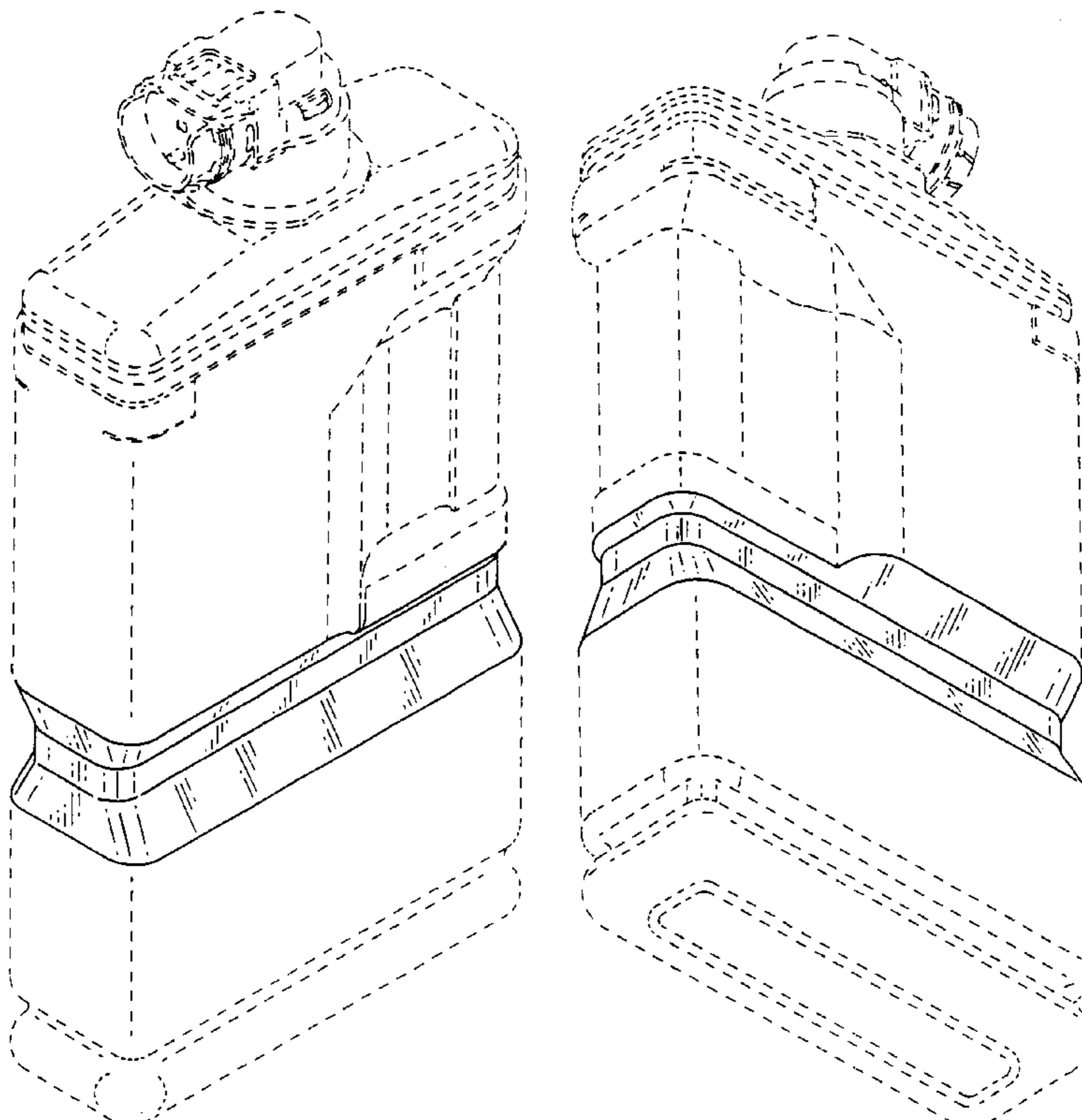
The ornamental design for an ink bottle, as shown and described.

DESCRIPTION

FIG. 1 is a front, top and left side perspective view of an ink bottle showing my new design;
FIG. 2 is a left side elevational view thereof;
FIG. 3 is a top plan view thereof;
FIG. 4 is a rear, bottom and right side perspective view thereof;
FIG. 5 is a right side elevational view thereof;
FIG. 6 is a bottom plan view thereof; and,
FIG. 7 is a front elevational view thereof, the rear being a mirror image thereof.

The broken lines are for illustrative only and form no part of the claimed design.

1 Claim, 3 Drawing Sheets



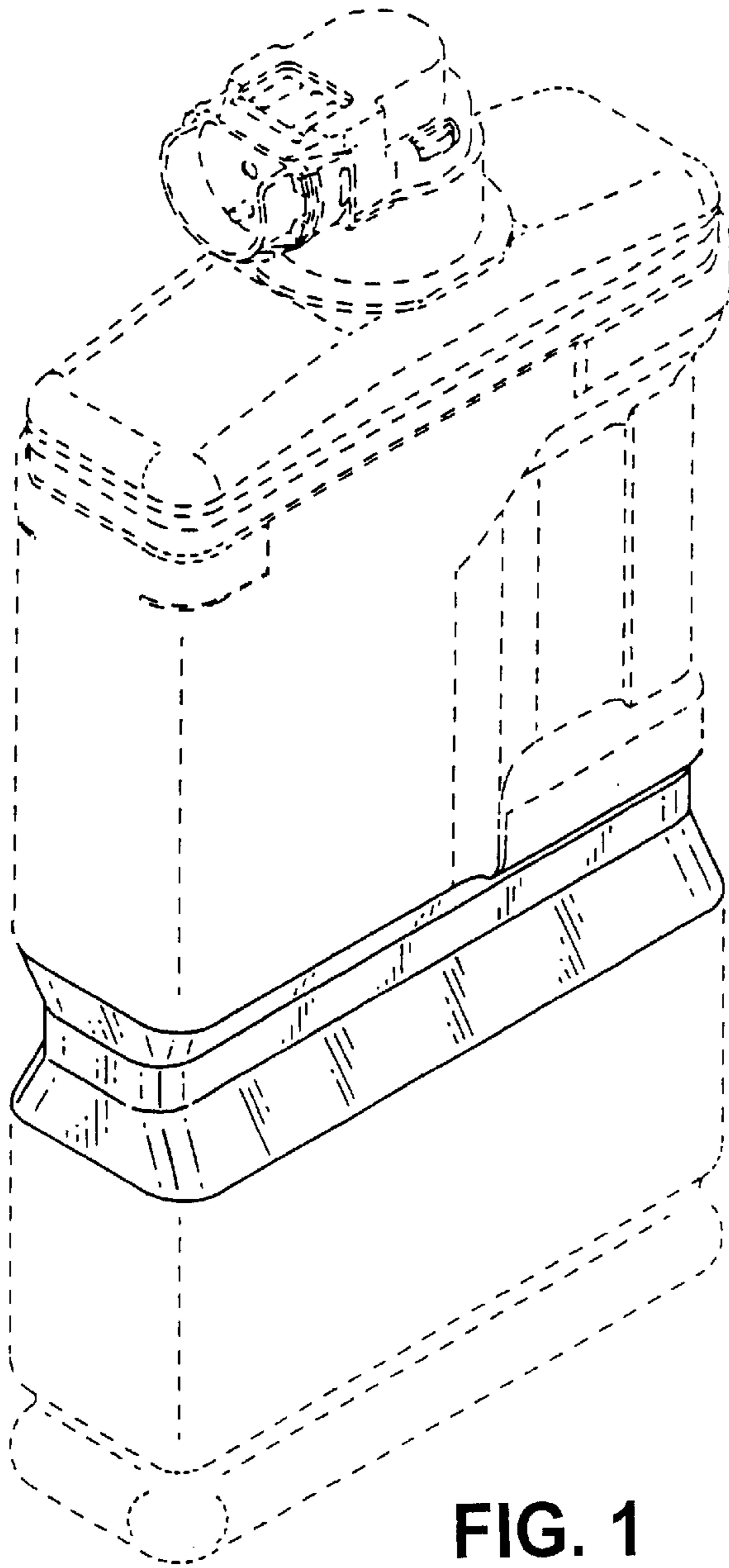


FIG. 1

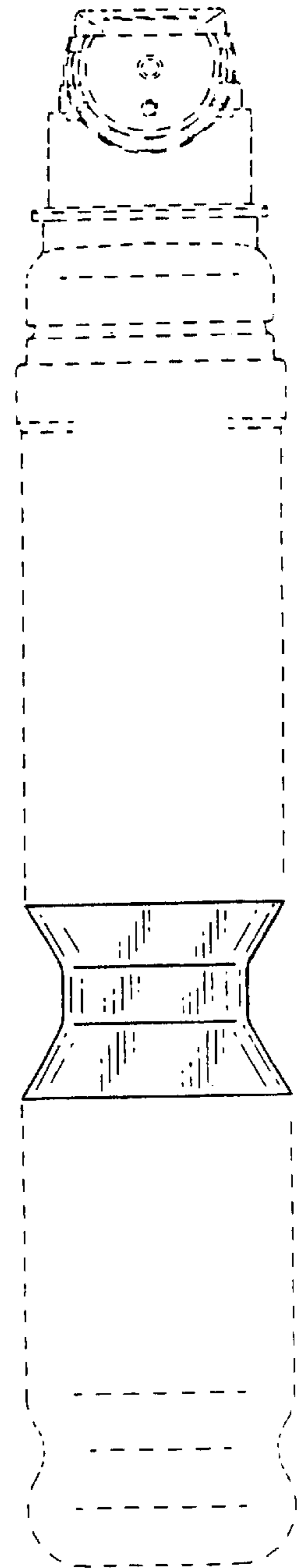


FIG. 2

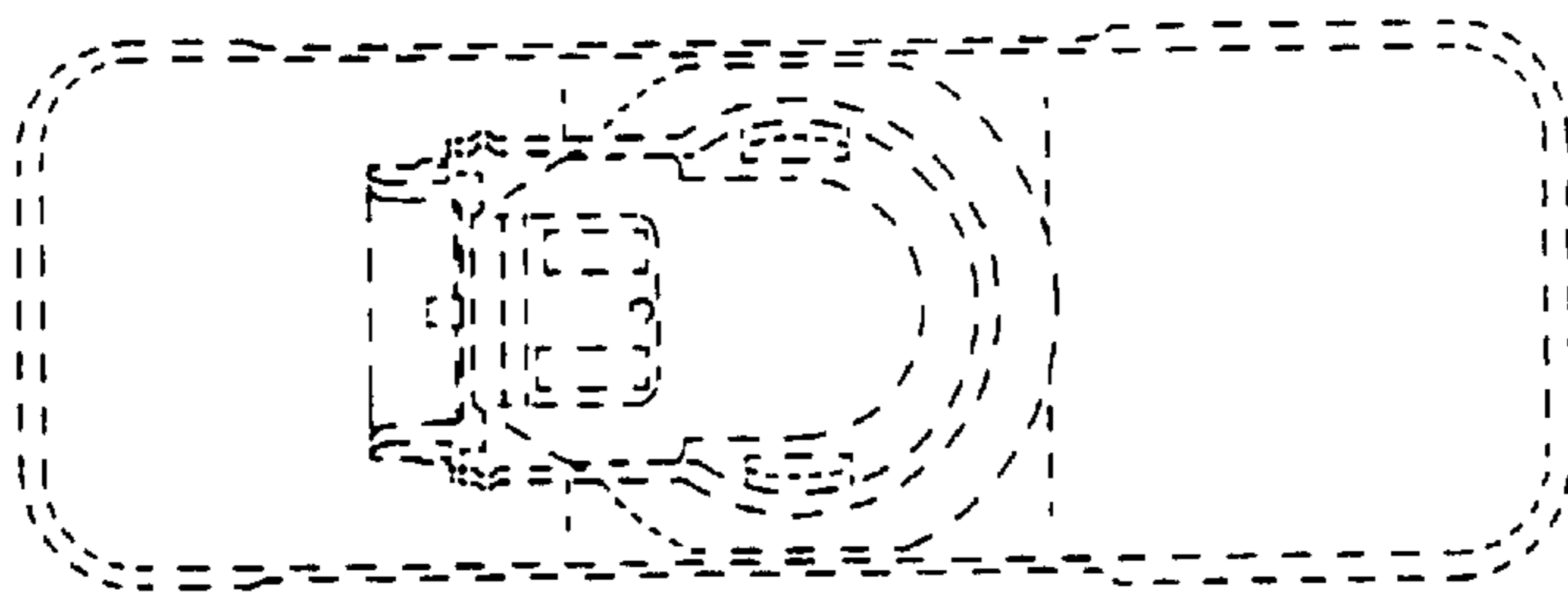


FIG. 3

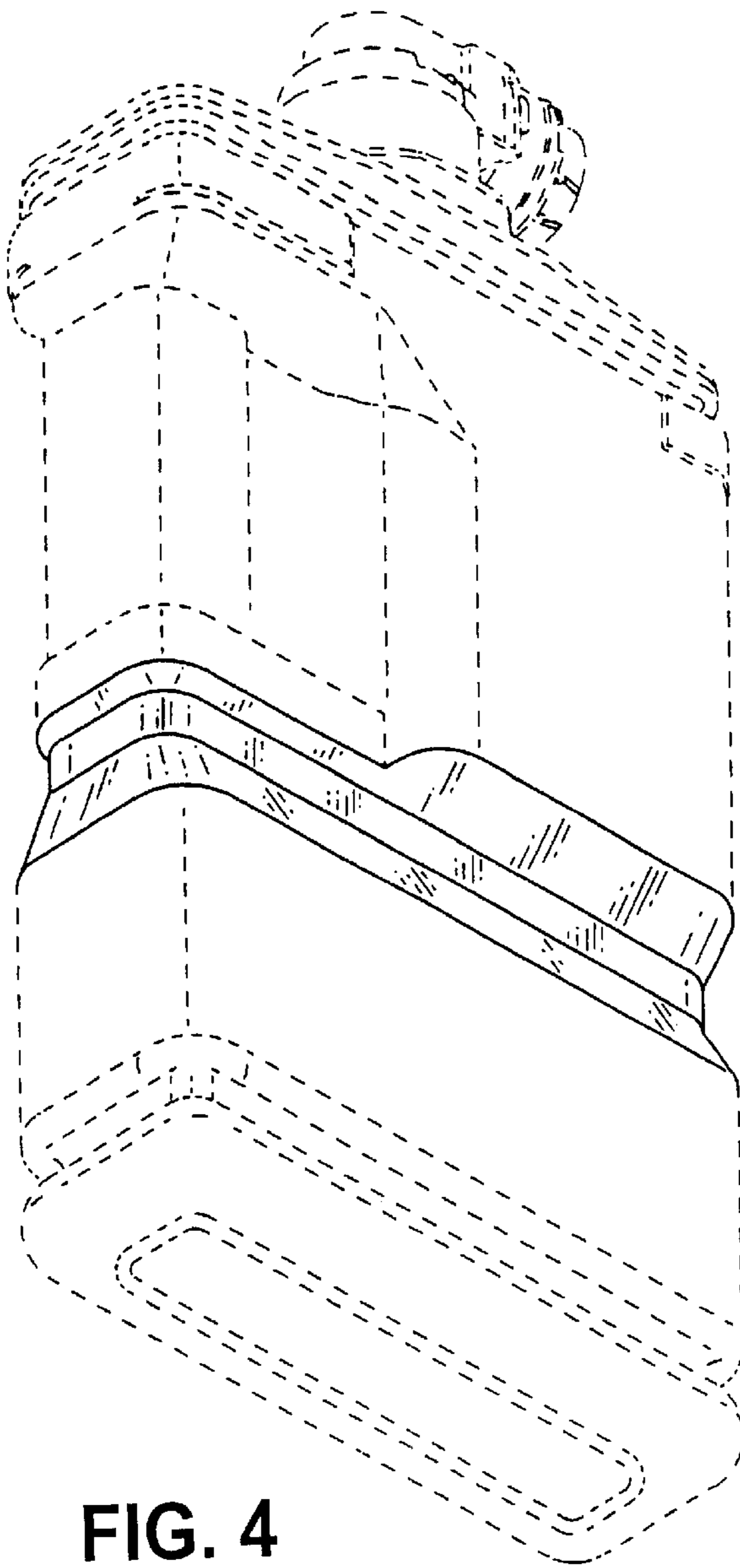


FIG. 4

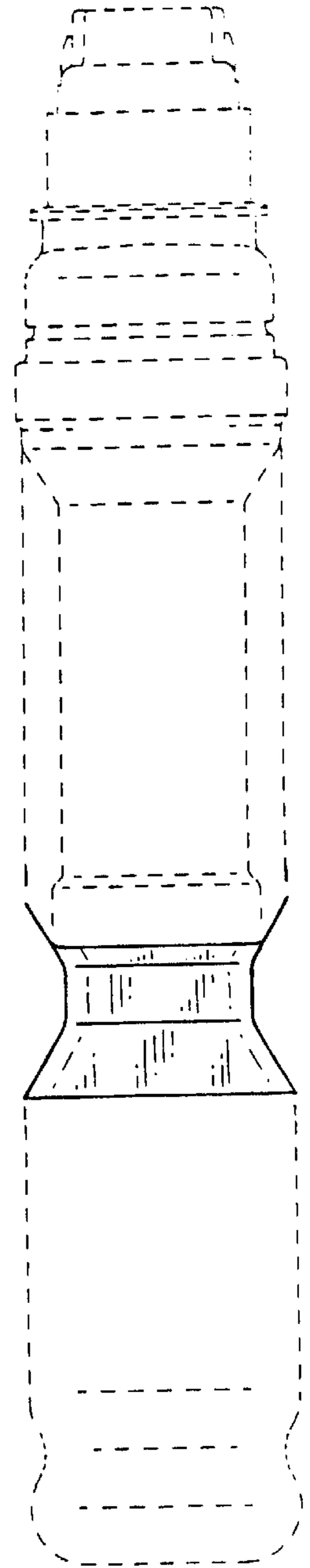


FIG. 5

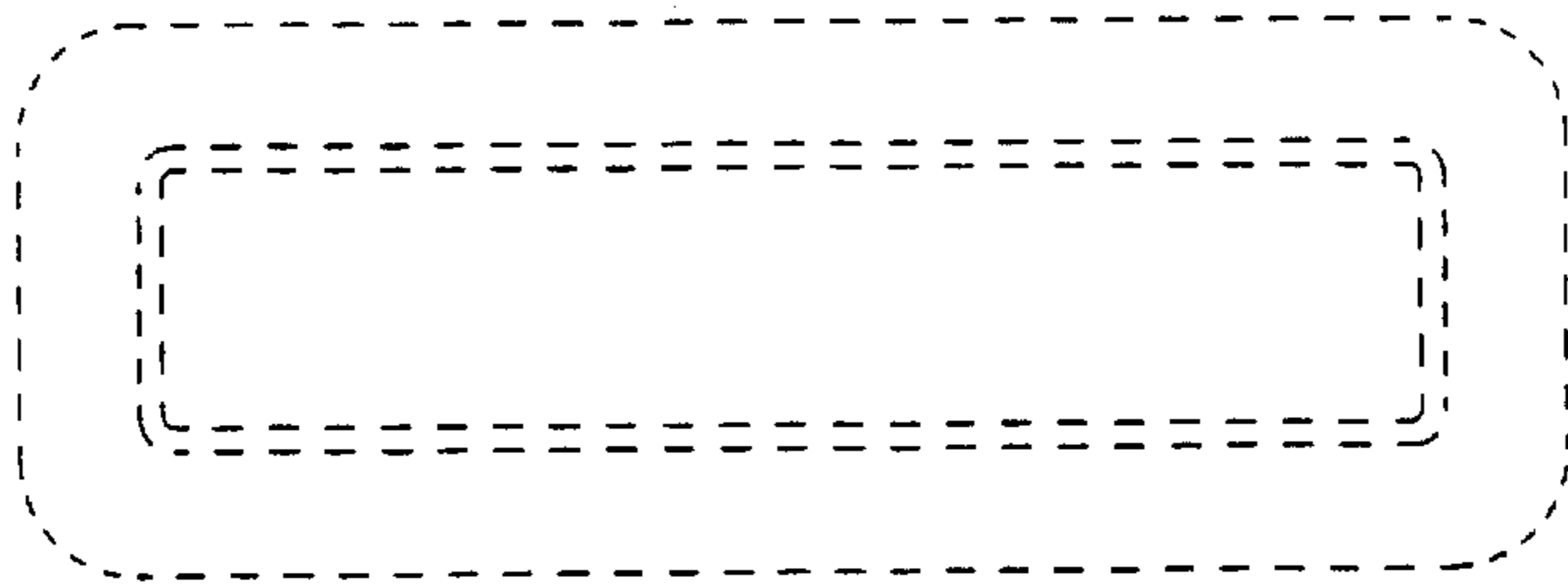


FIG. 6

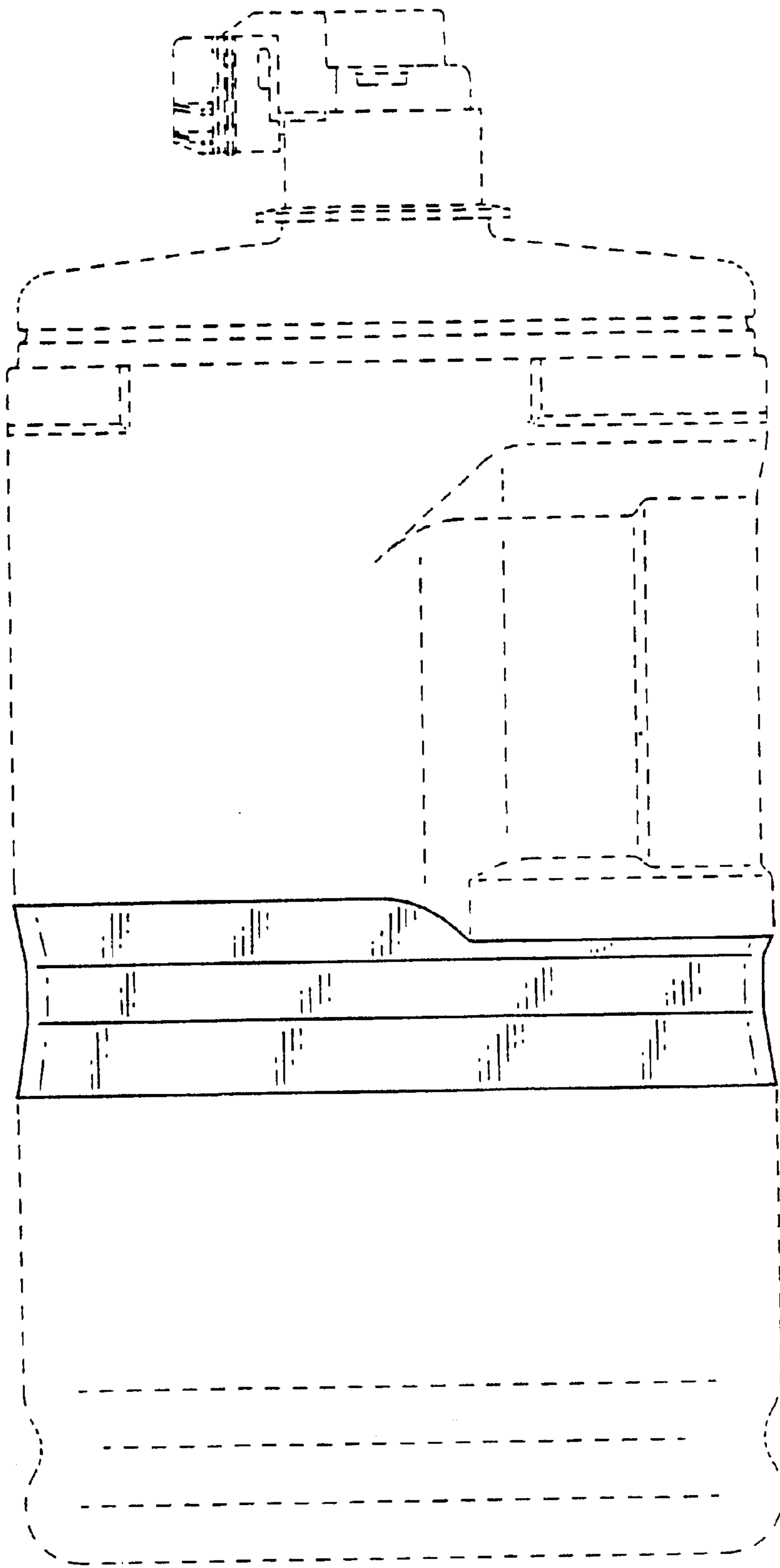


FIG. 7