



US00D485567S

(12) **United States Design Patent**
Reamer et al.

(10) **Patent No.:** **US D485,567 S**
(45) **Date of Patent:** **** Jan. 20, 2004**

(54) **WOOD BURNER PRESS**

(76) Inventors: **John J. Reamer**, R.R. #4, Box 188,
Crawfordsville, IN (US) 47933; **Sandra**
M. Reamer, R.R. #4, Box 188,
Crawfordsville, IN (US) 47933

(**) Term: **14 Years**

(21) Appl. No.: **29/172,179**

(22) Filed: **Dec. 9, 2002**

(51) **LOC (7) Cl.** **15-09**

(52) **U.S. Cl.** **D15/123**

(58) **Field of Search** D15/123; 52/455,
52/309.9, 314, 717.01; 264/293, 321; 100/215,
226, 322; 156/539, 558, 559, 583.1; 425/385,
397, 398, 73; 427/271, 272, 277, 282, 369,
408; 428/542.2

(56) **References Cited**

U.S. PATENT DOCUMENTS

291,436 A	1/1884	Wagner
1,941,394 A	12/1933	Forsyth
3,229,401 A	1/1966	Sobran
3,369,919 A	2/1968	Inglis
3,732,908 A	5/1973	White
3,842,488 A	10/1974	Mitchell
4,007,767 A	2/1977	Colledge

4,212,699 A	*	7/1980	Braunschweiler	156/558
4,463,887 A		8/1984	Bloys		
4,554,959 A		11/1985	Smedberg		
5,095,675 A	*	3/1992	Audia	52/455
5,858,262 A		1/1999	Lebensfeld		
5,882,569 A	*	3/1999	Maes	264/293
6,063,444 A	*	5/2000	Dax	427/272

* cited by examiner

Primary Examiner—Antoine Duval Davis

(74) *Attorney, Agent, or Firm*—Donald R. Schoonover

(57) **CLAIM**

The ornamental design for a wood burner press, as shown and described.

DESCRIPTION

FIG. 1 is a perspective view of a wood burner press showing our new design;

FIG. 2 is a front elevational view thereof;

FIG. 3 is a rear elevational view thereof;

FIG. 4 is a left side elevational view thereof;

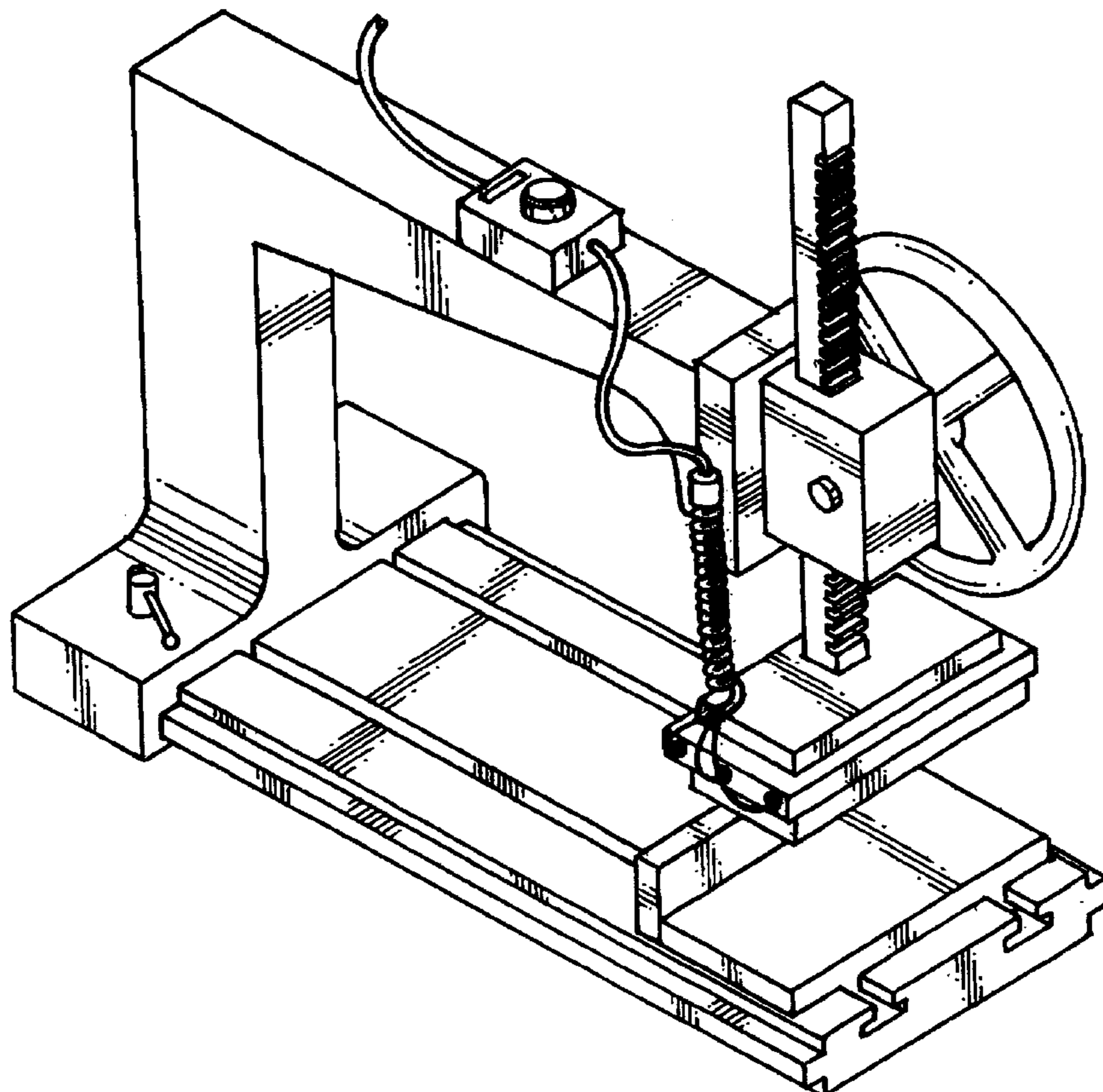
FIG. 5 is a right side elevational view thereof;

FIG. 6 is a top plan view thereof; and,

FIG. 7 is a bottom plan view thereof.

The broken line showing is for illustrative purposes only and forms no part of the claimed design.

1 Claim, 4 Drawing Sheets



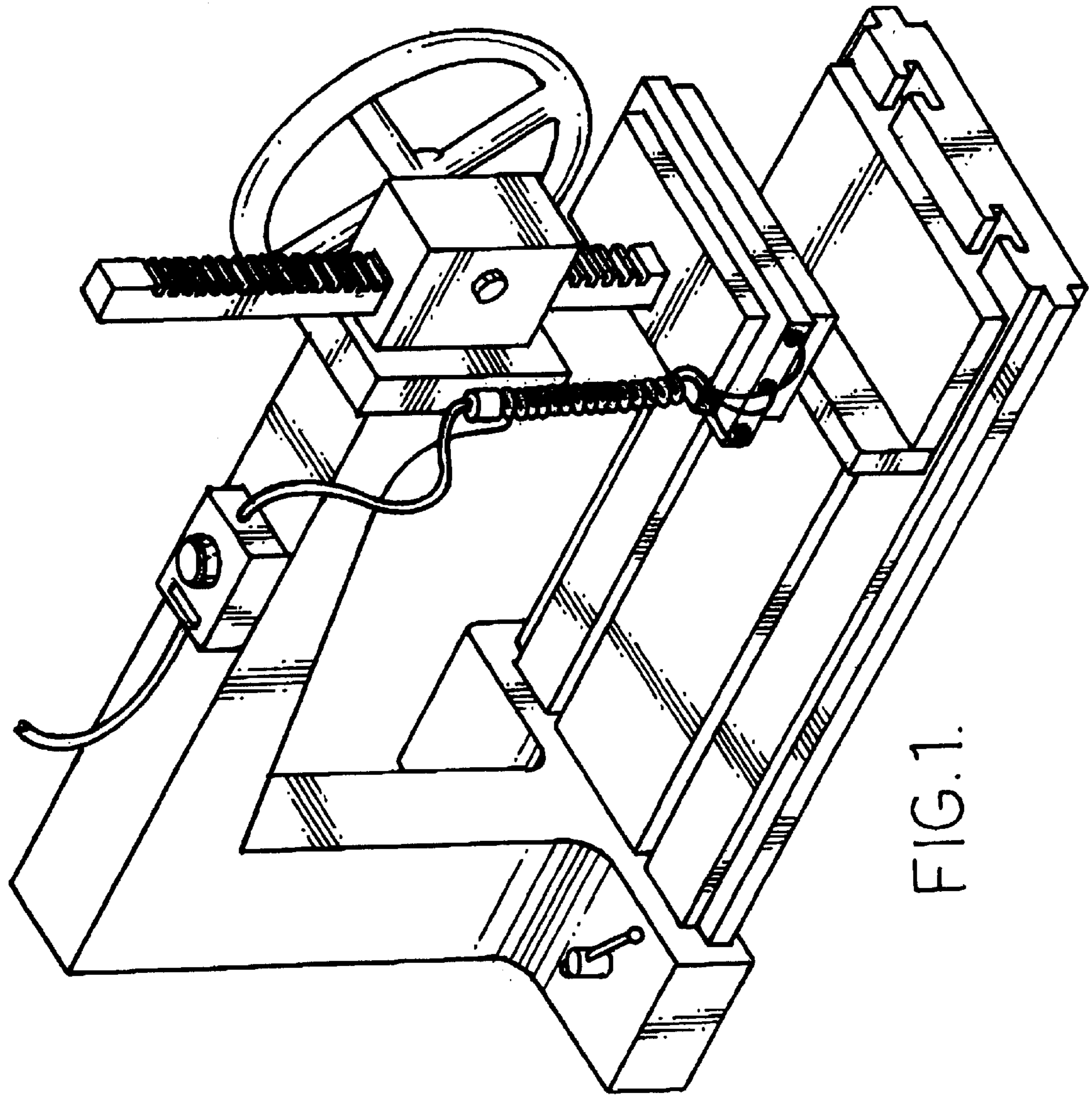


FIG.1.

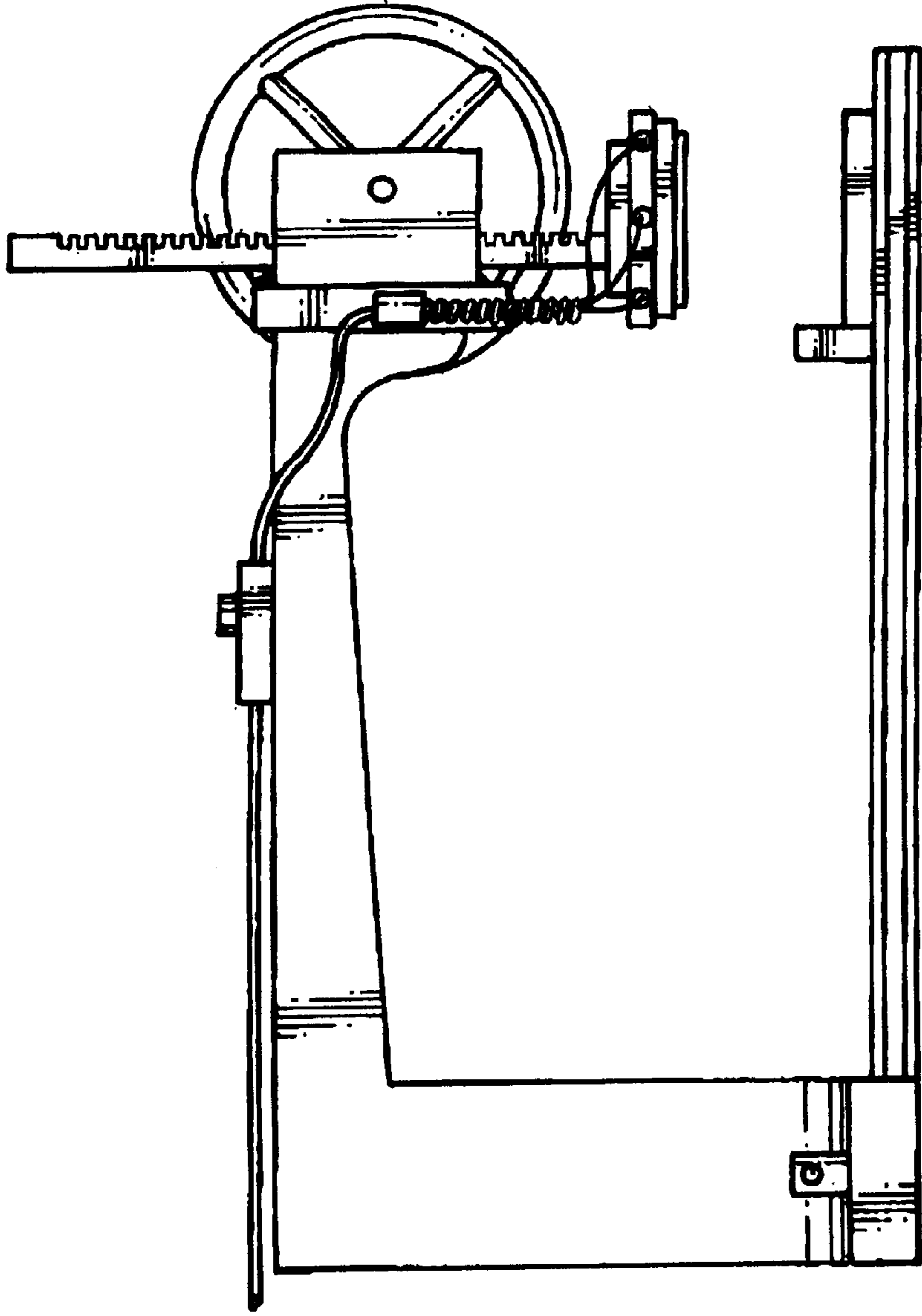


FIG. 5.

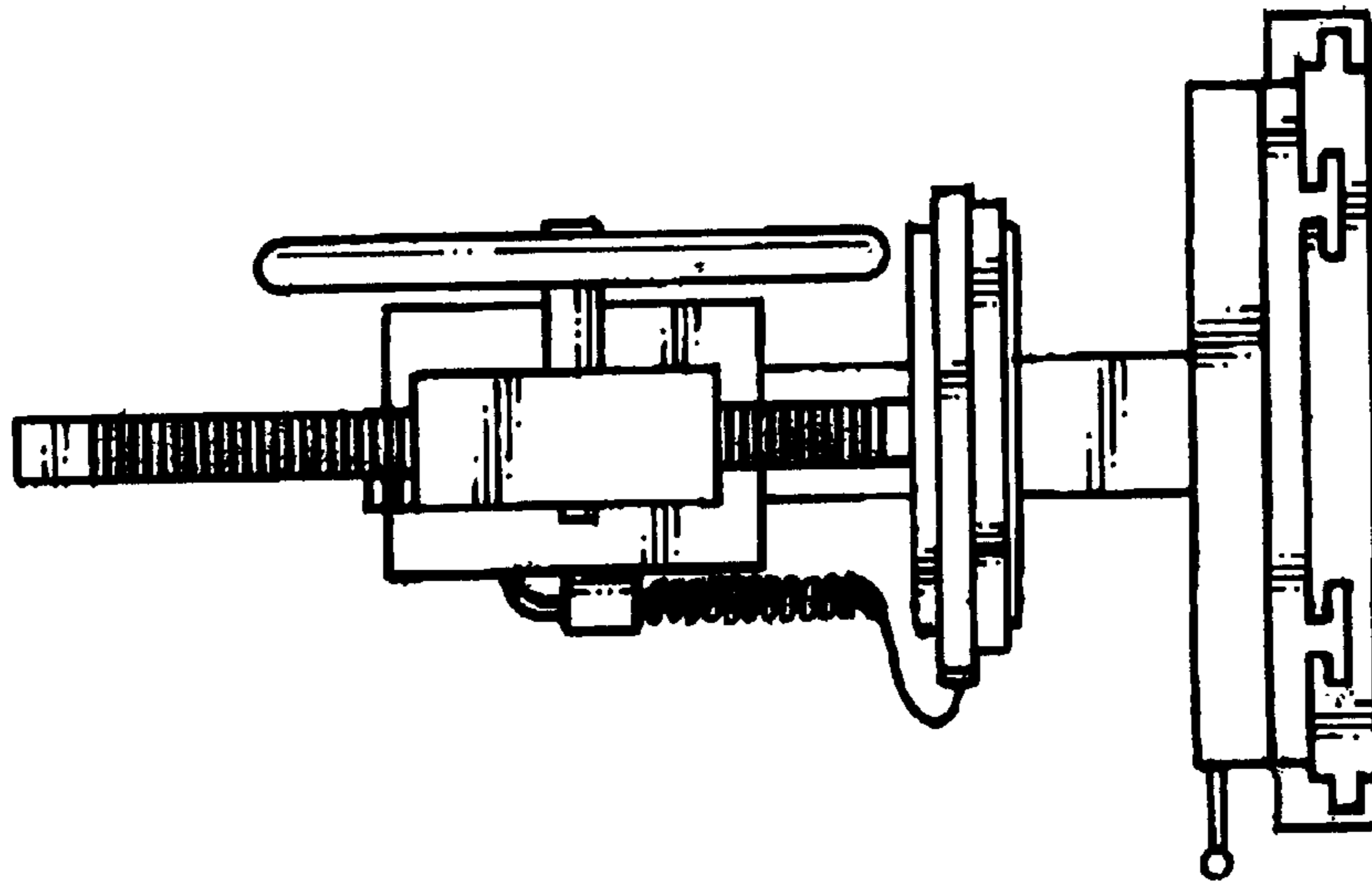


FIG. 2.

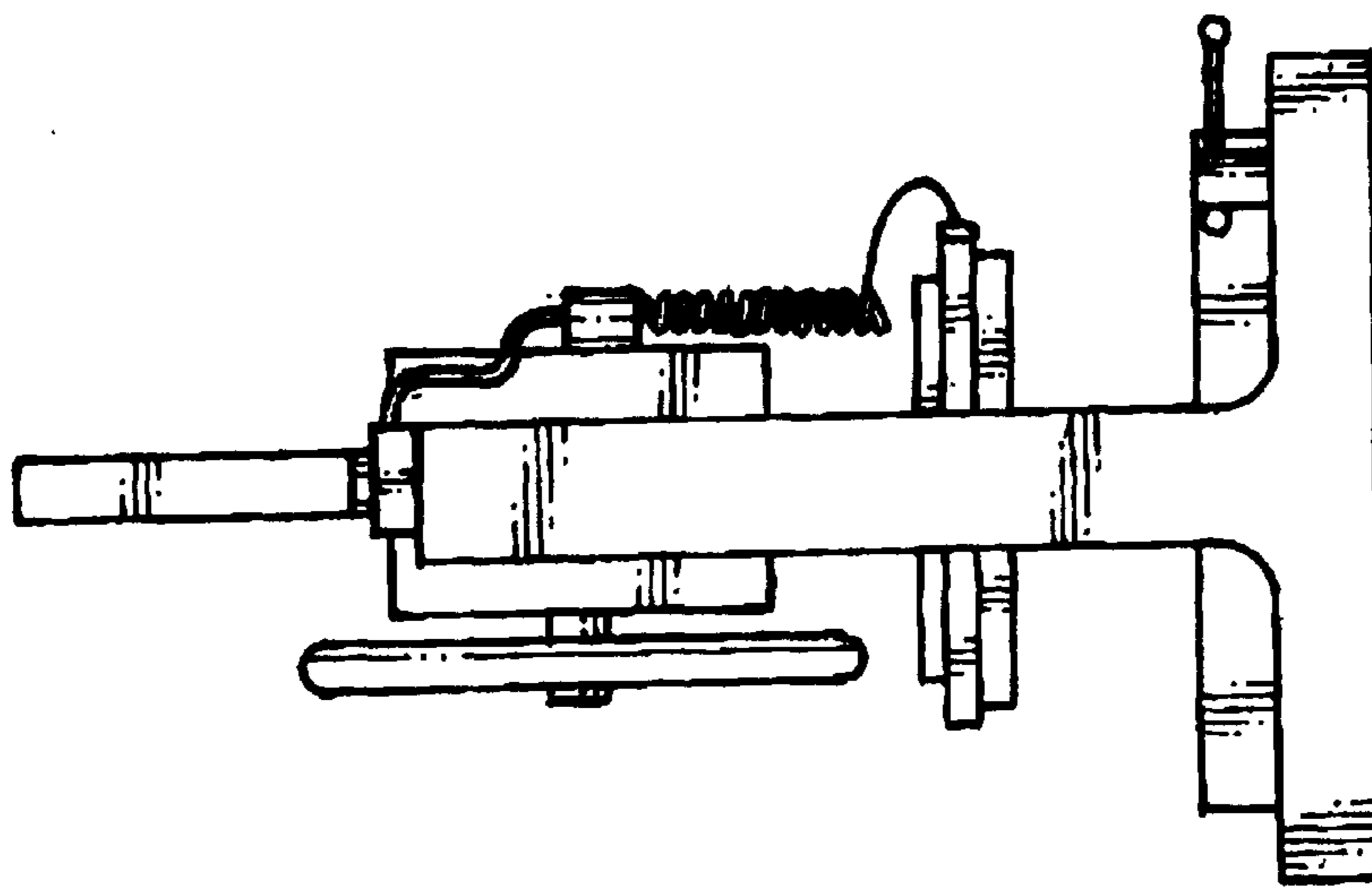


FIG. 3.

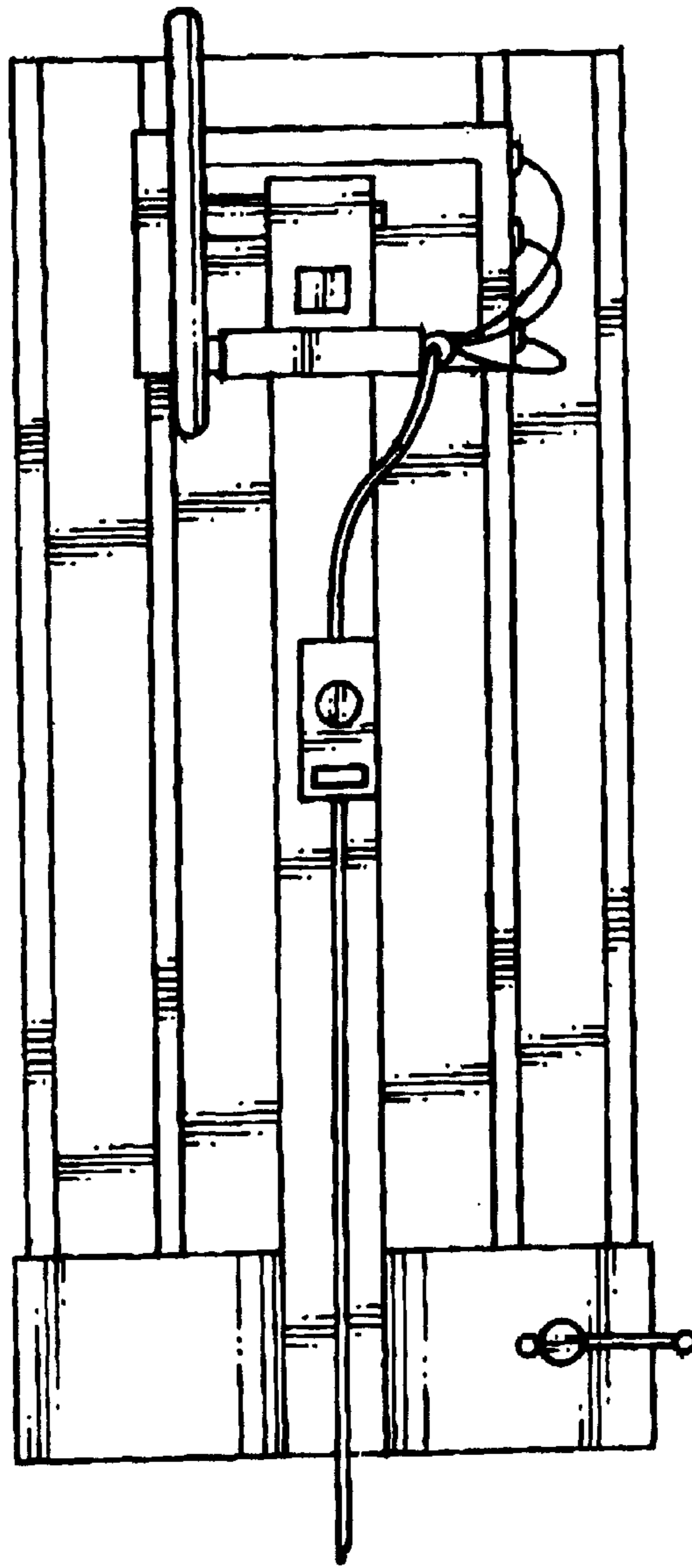


FIG. 6.

