



US00D485566S

(12) **United States Design Patent**
Ledingham et al.

(10) **Patent No.:** **US D485,566 S**
(45) **Date of Patent:** **** Jan. 20, 2004**

(54) **FROZEN DESSERT MAKER**
(75) Inventors: **John B. Ledingham**, St. Joseph, MI
(US); **Philip M. Thompson**, St. Joseph,
MI (US)
(73) Assignee: **Whirlpool Corporation**, Benton
Harbor, MI (US)
(**) Term: **14 Years**

(21) Appl. No.: **29/178,363**
(22) Filed: **Mar. 25, 2003**

(51) **LOC (7) Cl.** **15-07**
(52) **U.S. Cl.** **D15/82**
(58) **Field of Search** D15/79, 82; D7/309,
D7/311, 376; 366/149, 197-203, 330.4;
62/69, 136, 163, 178, 229, 342, 343; 141/107,
369

(56) **References Cited**
U.S. PATENT DOCUMENTS

D101,602 S * 10/1936 Williams D15/82
D107,782 S * 1/1938 Miller D15/82
D122,118 S * 8/1940 Huber D15/82

2,559,032 A * 7/1951 Tacchella 62/136
3,159,007 A * 12/1964 Rahausser et al. 62/69
3,382,897 A * 5/1968 Skiera et al. 141/107
D261,890 S * 11/1981 Caspersen D15/82
D285,082 S * 8/1986 Verkler D15/82
D305,973 S * 2/1990 Barnard et al. D7/379
D307,754 S * 5/1990 Osrow et al. D15/82
D364,175 S * 11/1995 Alpers et al. D15/82

* cited by examiner

Primary Examiner—Mitchell Siegel
(74) *Attorney, Agent, or Firm*—John F. Colligan; Robert O.
Rice; Stephen Krefman

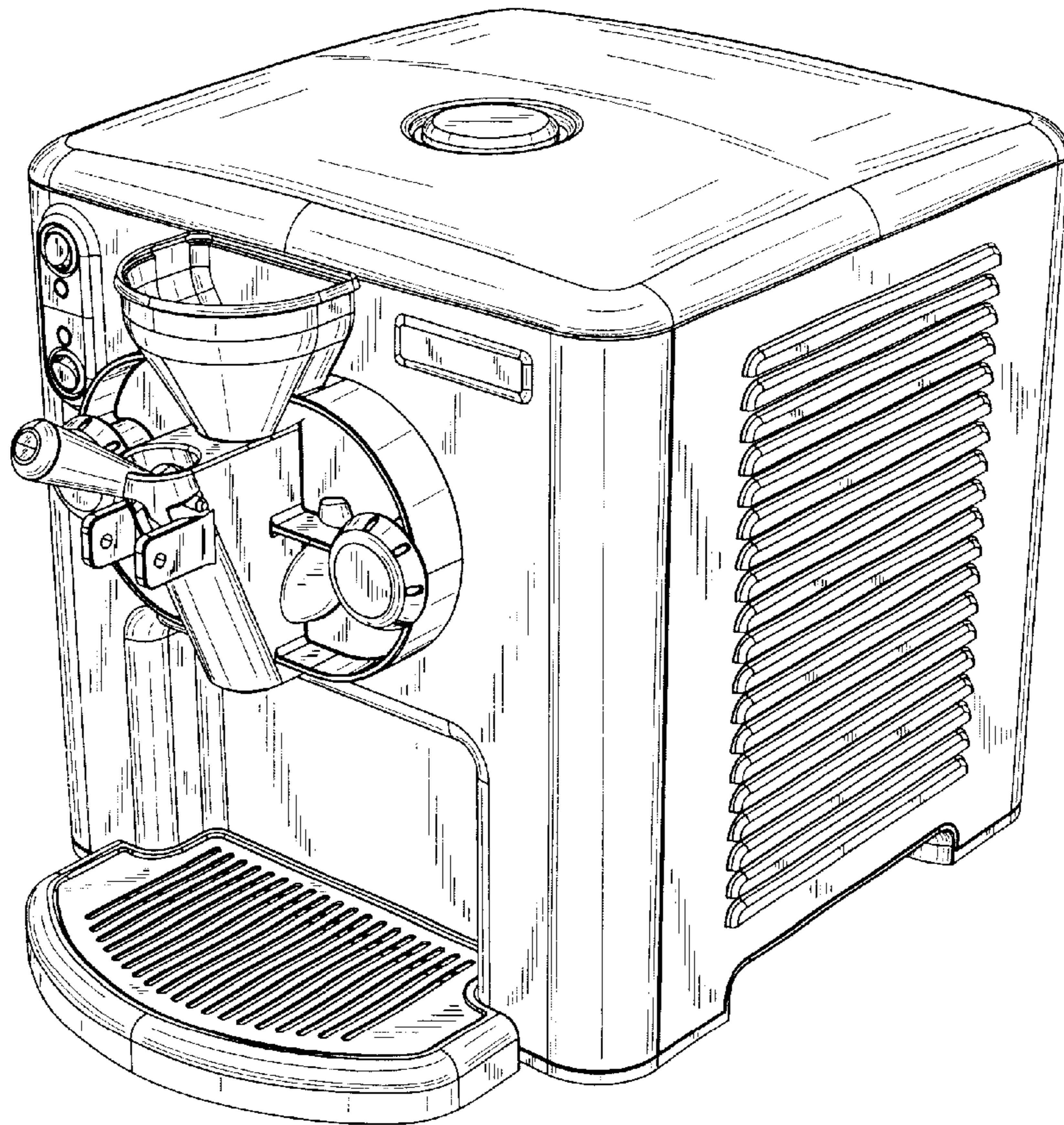
(57) **CLAIM**

The ornamental design of a frozen dessert maker, as shown
and described.

DESCRIPTION

FIG. 1 is a front perspective view of the frozen dessert maker
showing the new design;
FIG. 2 is a front elevational view thereof;
FIG. 3 is a right side elevational view thereof; and,
FIG. 4 is a top plan view thereof.

1 Claim, 4 Drawing Sheets



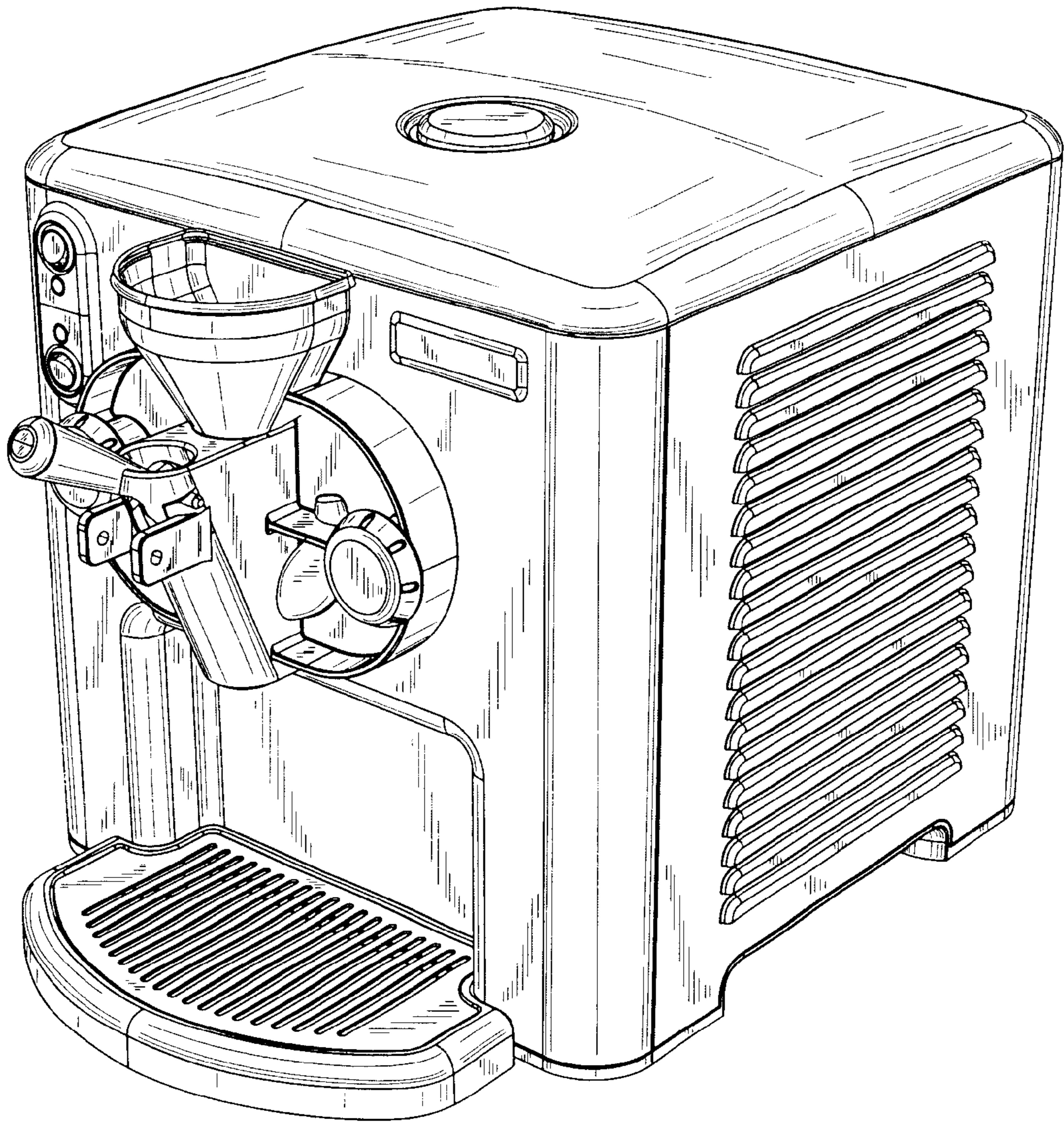


Fig. 1

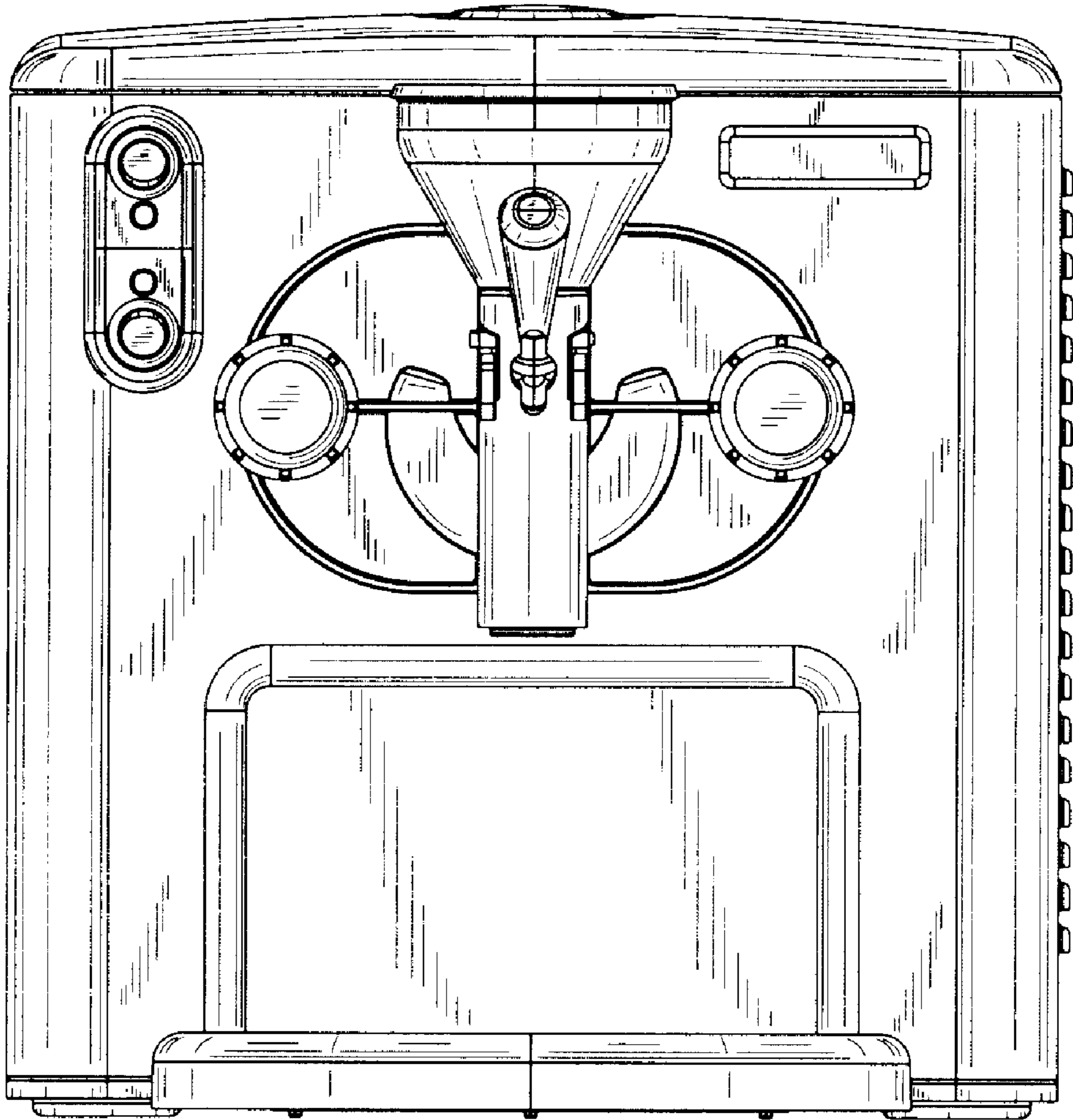


Fig. 2

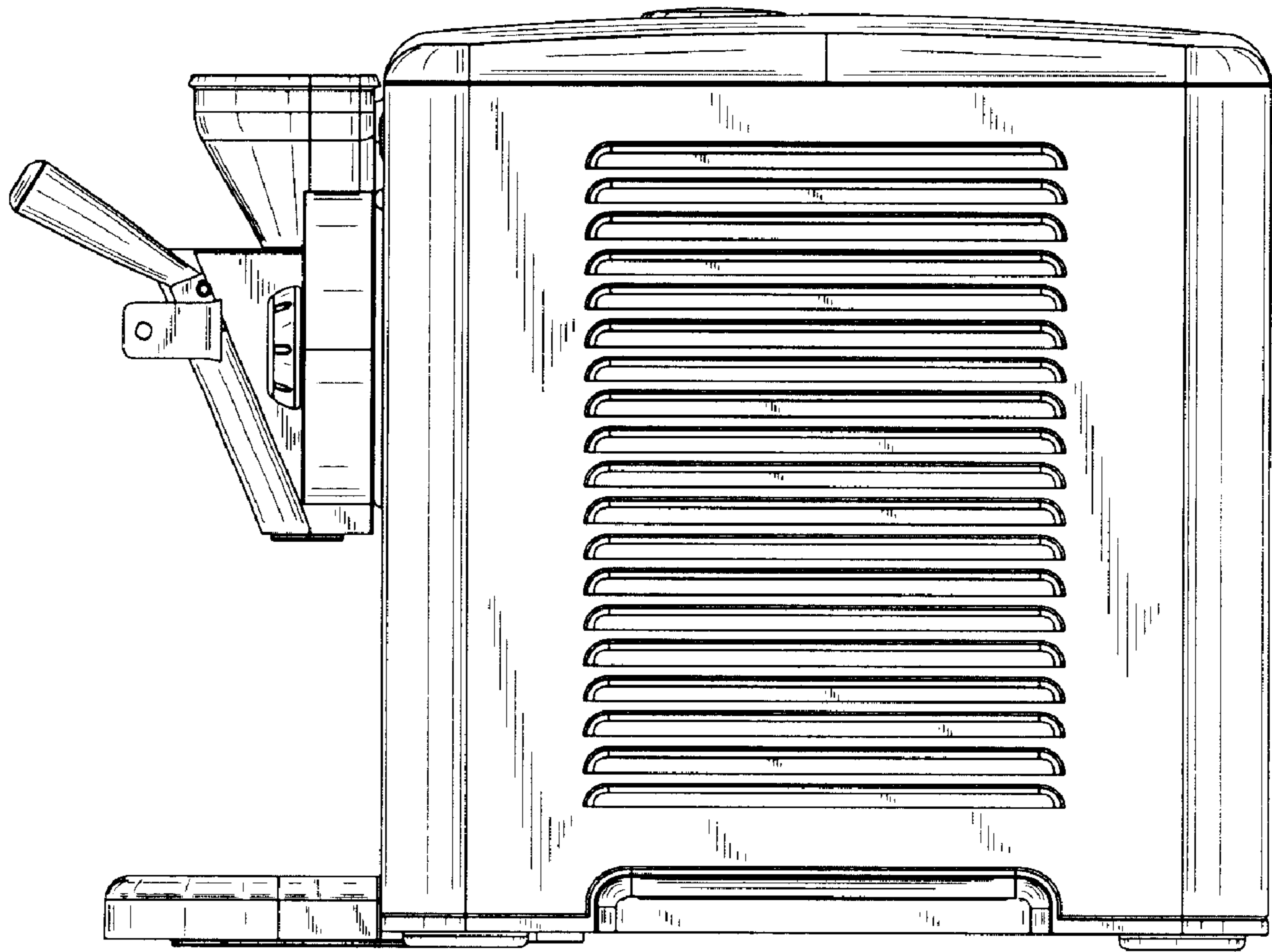


Fig. 3

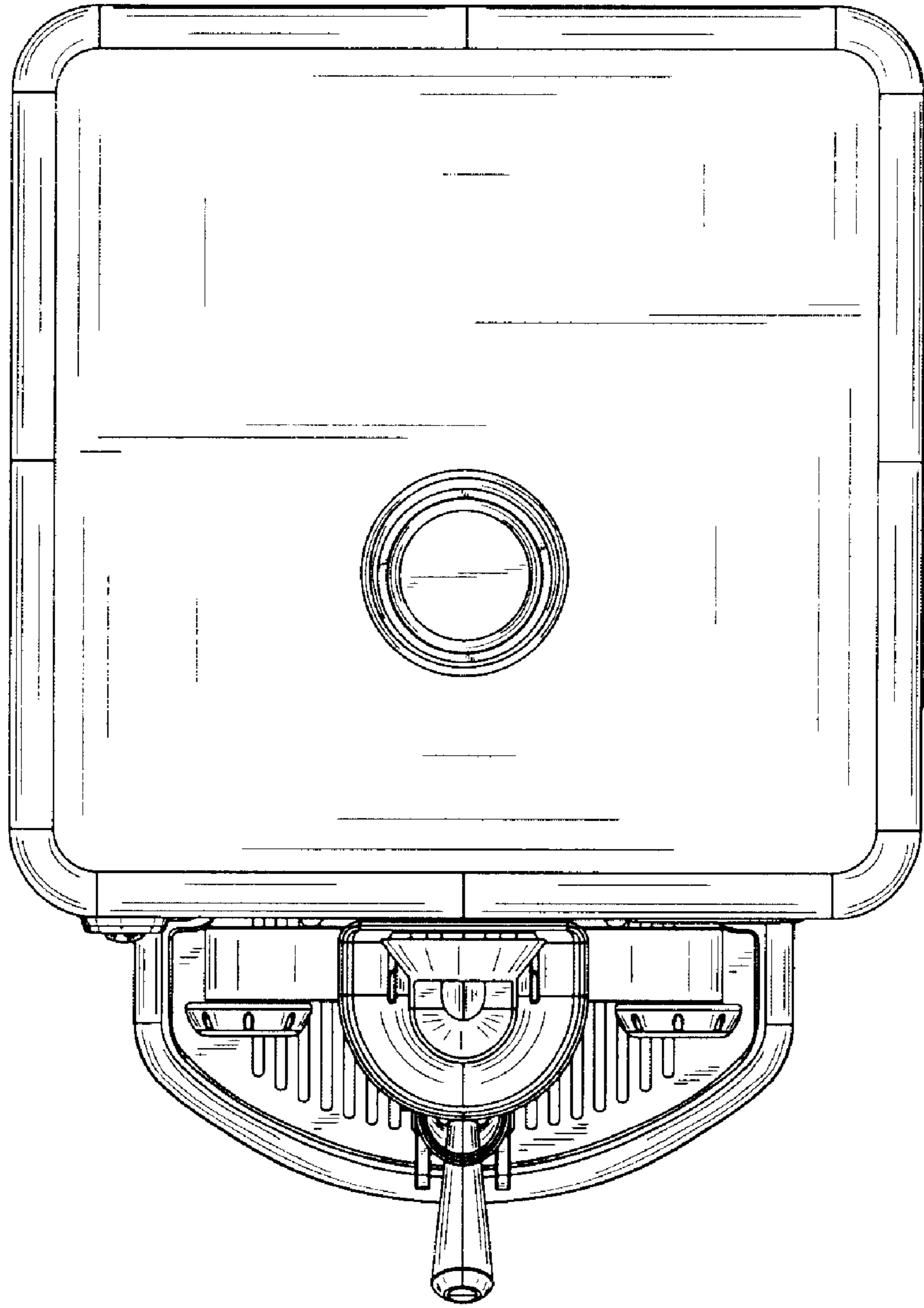


Fig. 4