



US00D485565S

(12) **United States Design Patent**
Martinello

(10) **Patent No.:** **US D485,565 S**

(45) **Date of Patent:** **** Jan. 20, 2004**

(54) **ELECTRICAL PUMP**

(75) Inventor: **Davide Martinello**, Arzignano (IT)

(73) Assignee: **DAB Pumps S.p.A.**, Mestrino (IT)

(**) Term: **14 Years**

(21) Appl. No.: **29/165,001**

(22) Filed: **Aug. 5, 2002**

(30) **Foreign Application Priority Data**

Mar. 11, 2002 (IT) PD200200018

(51) **LOC (7) Cl.** **15-02**

(52) **U.S. Cl.** **D15/7**

(58) **Field of Search** D15/7-9; 417/152,
417/415, 419, 571, 362, 234, 405, 424.1

(56) **References Cited**

U.S. PATENT DOCUMENTS

- D140,758 S * 4/1945 Bagley D15/7
- D210,706 S * 4/1968 Zalis et al. D15/7
- D328,304 S * 7/1992 Frohn et al. D15/7
- D372,251 S * 7/1996 Bohncke D15/7

- D372,719 S * 8/1996 Jensen D15/7
- D447,148 S * 8/2001 Antony et al. D15/7
- D450,327 S * 11/2001 Mori et al. D15/7

* cited by examiner

Primary Examiner—Ralf Seifert

(74) *Attorney, Agent, or Firm*—Guido Modiano; Albert Josif; Daniel J. O’Byrne

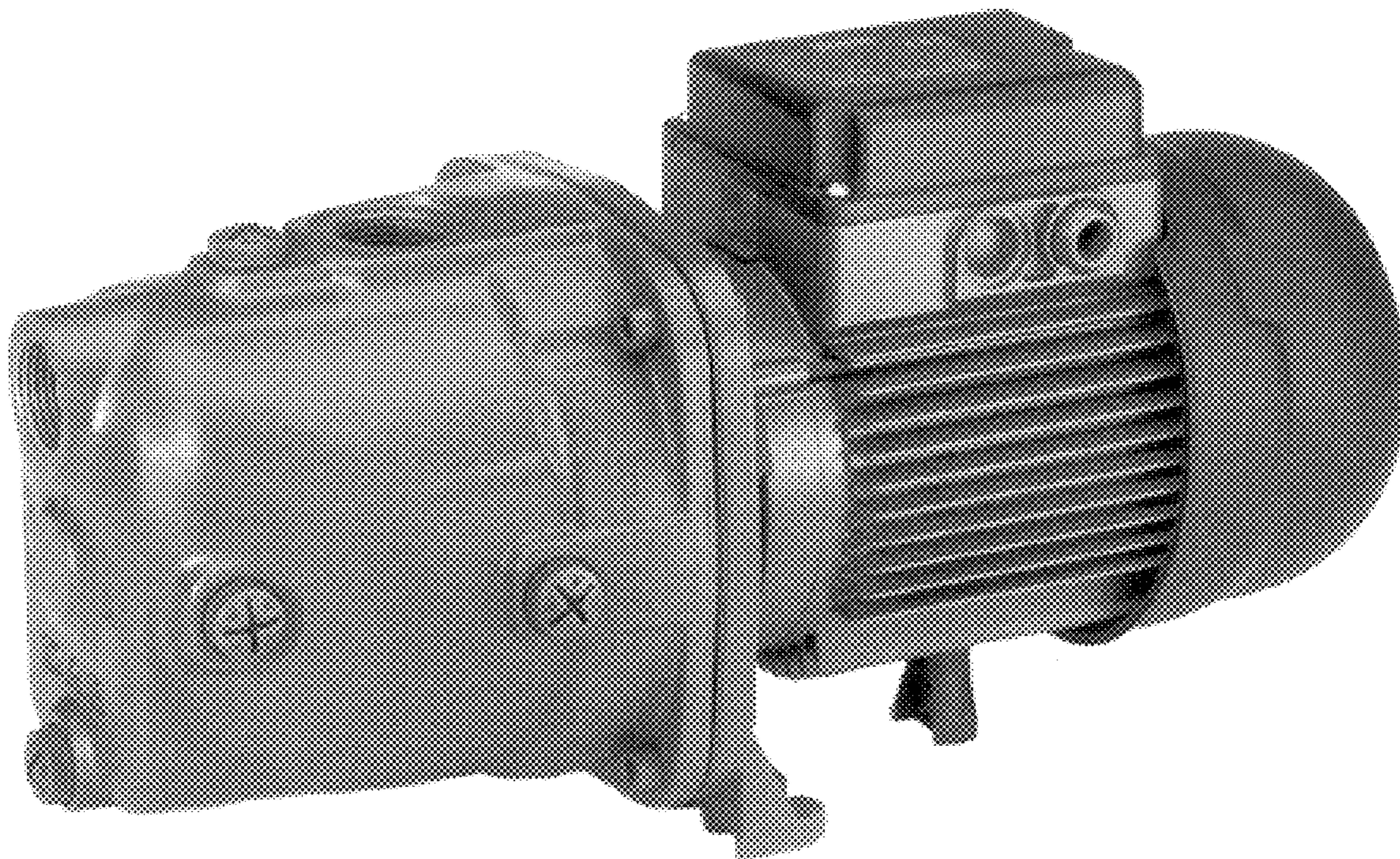
(57) **CLAIM**

The ornamental design for the “electrical pump”, as shown and described.

DESCRIPTION

FIG. 1 is a side perspective view of the “electrical pump”, showing my new design;
 FIG. 2 is a perspective view thereof, taken from above;
 FIG. 3 is a plan view thereof, taken from below;
 FIG. 4 is a left side view thereof;
 FIG. 5 is a right side view thereof;
 FIG. 6 is a front view thereof;
 FIG. 7 is a rear view thereof; and,
 FIG. 8 is a plan view thereof, taken from above.

1 Claim, 5 Drawing Sheets



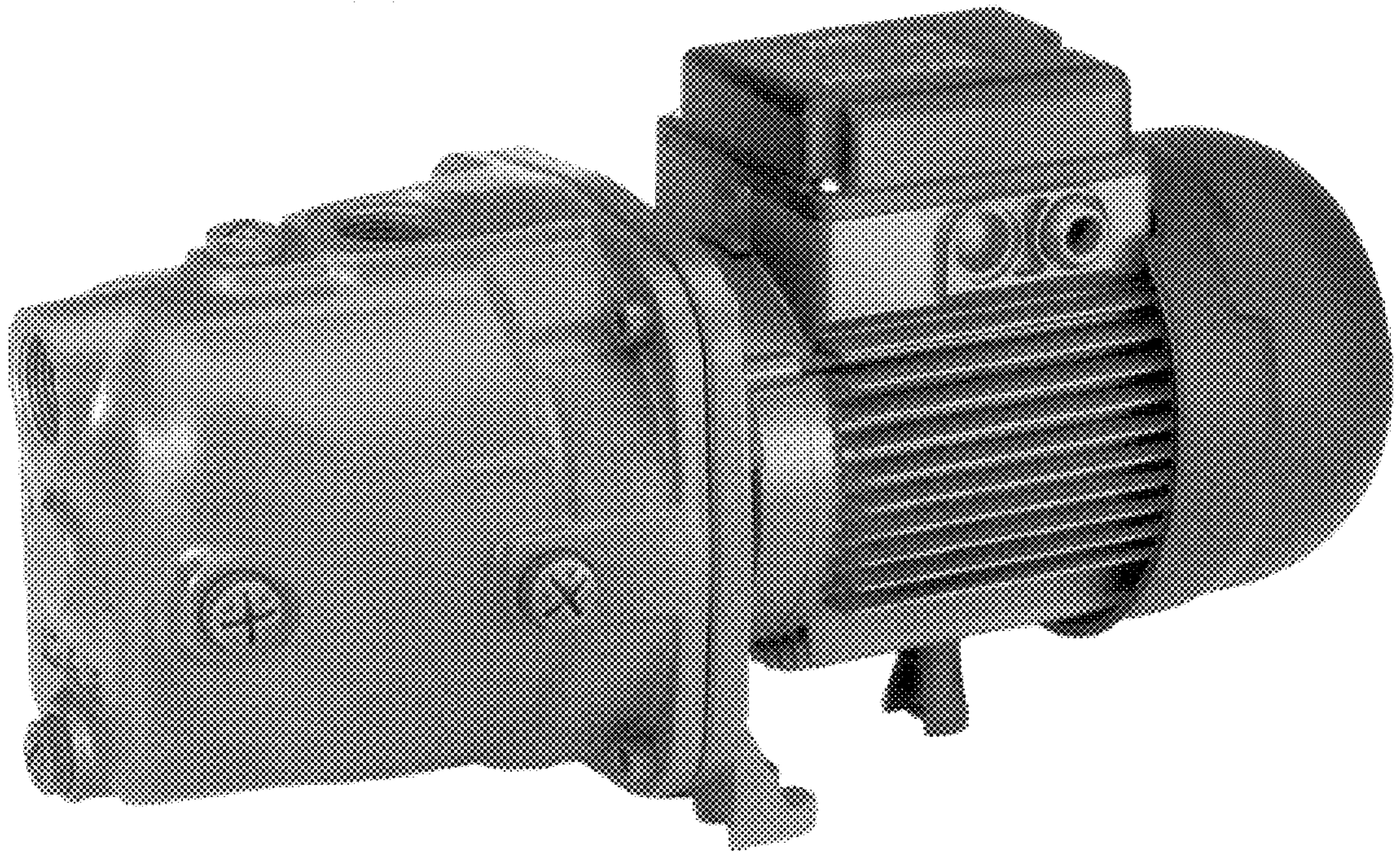


FIG. 1

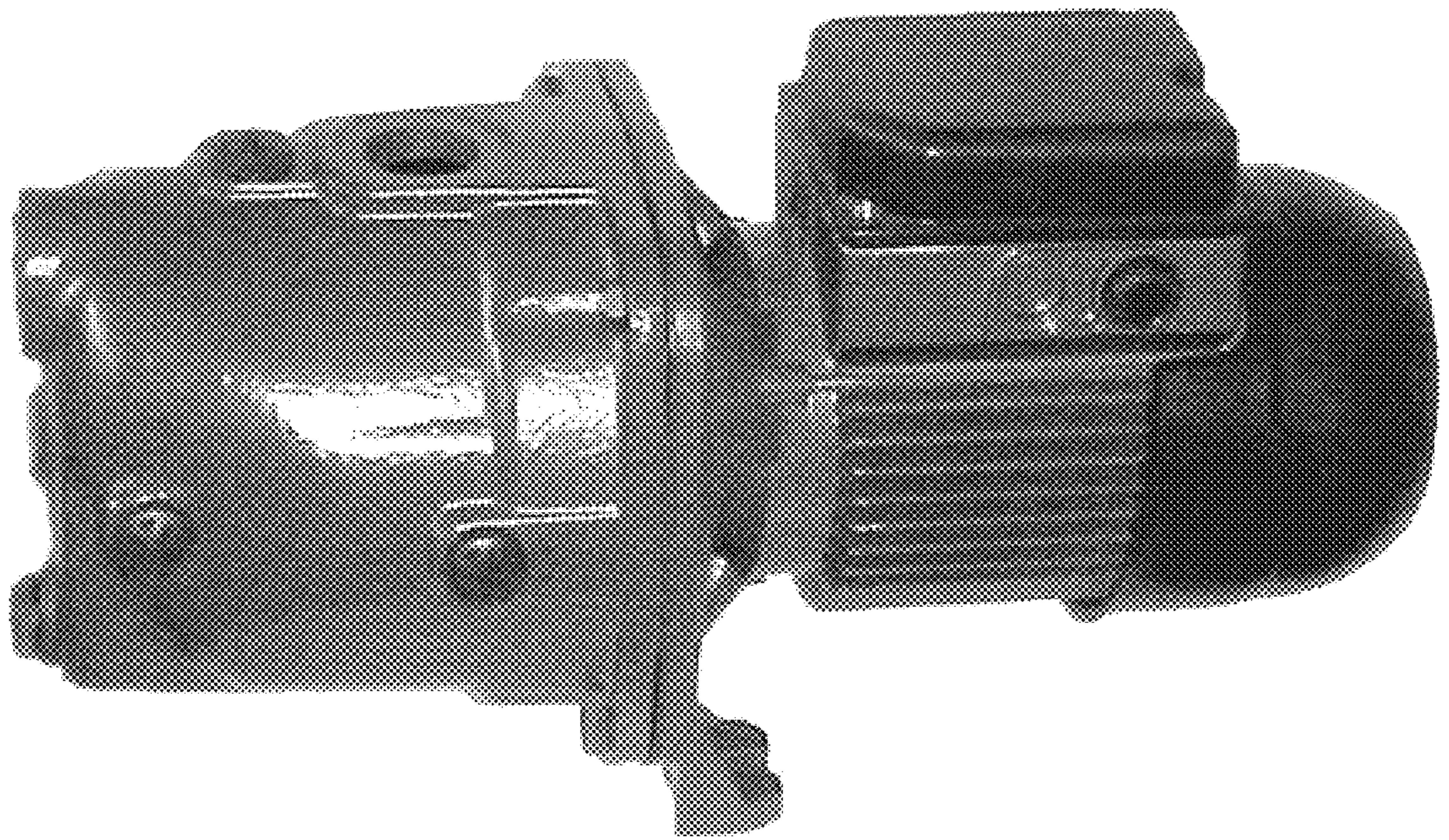


Fig. 2

BEA

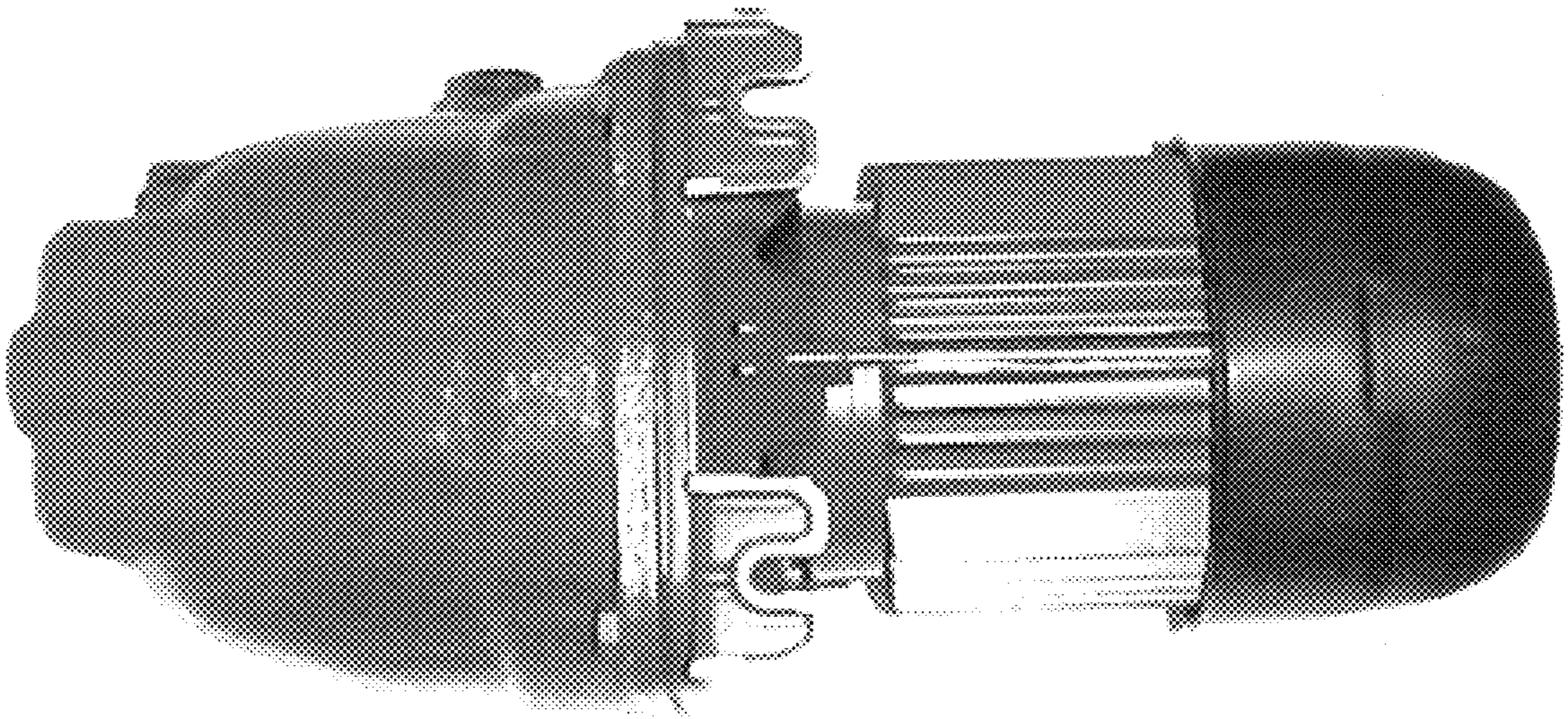


FIG. 3

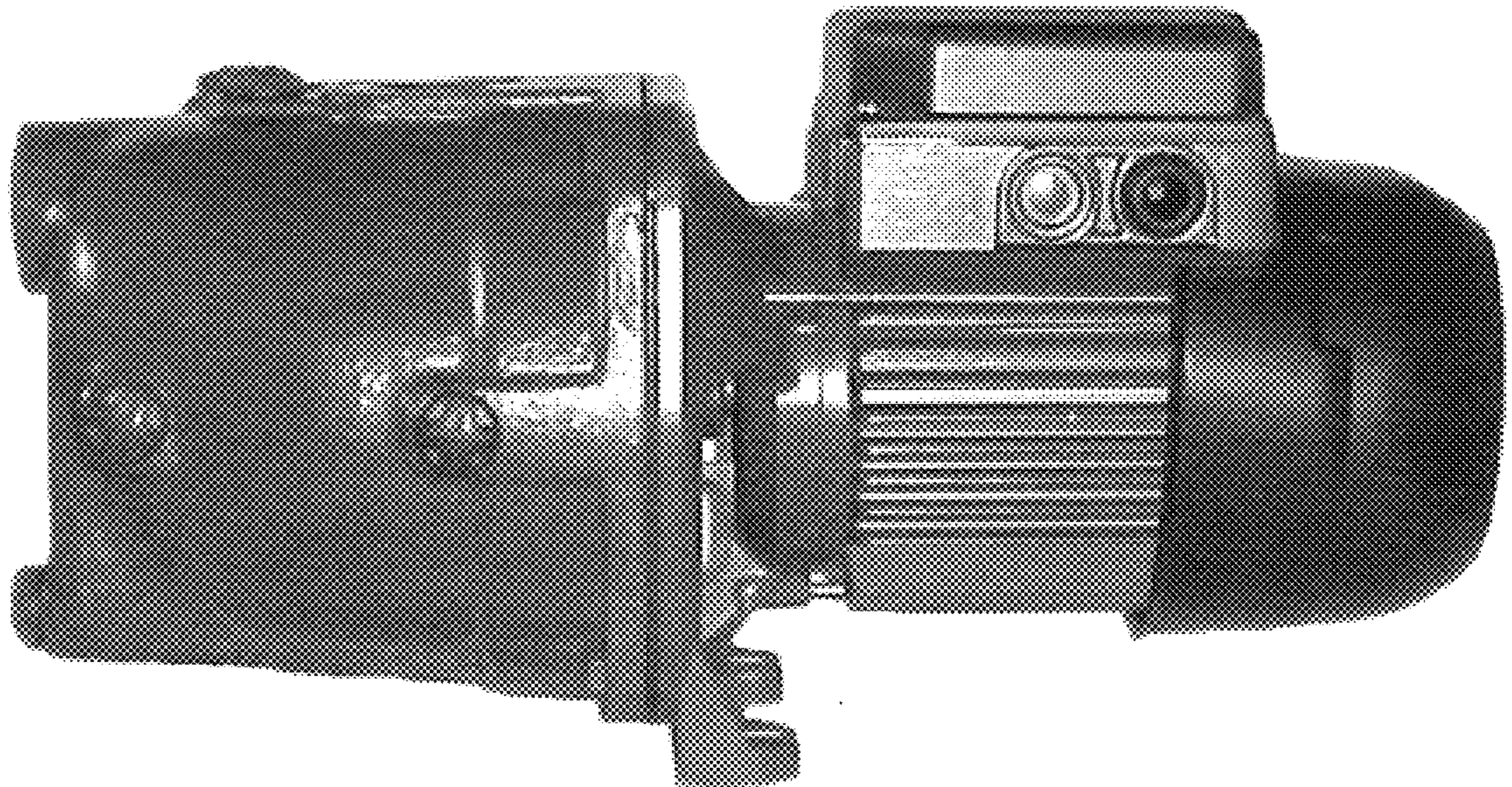


FIG. 4

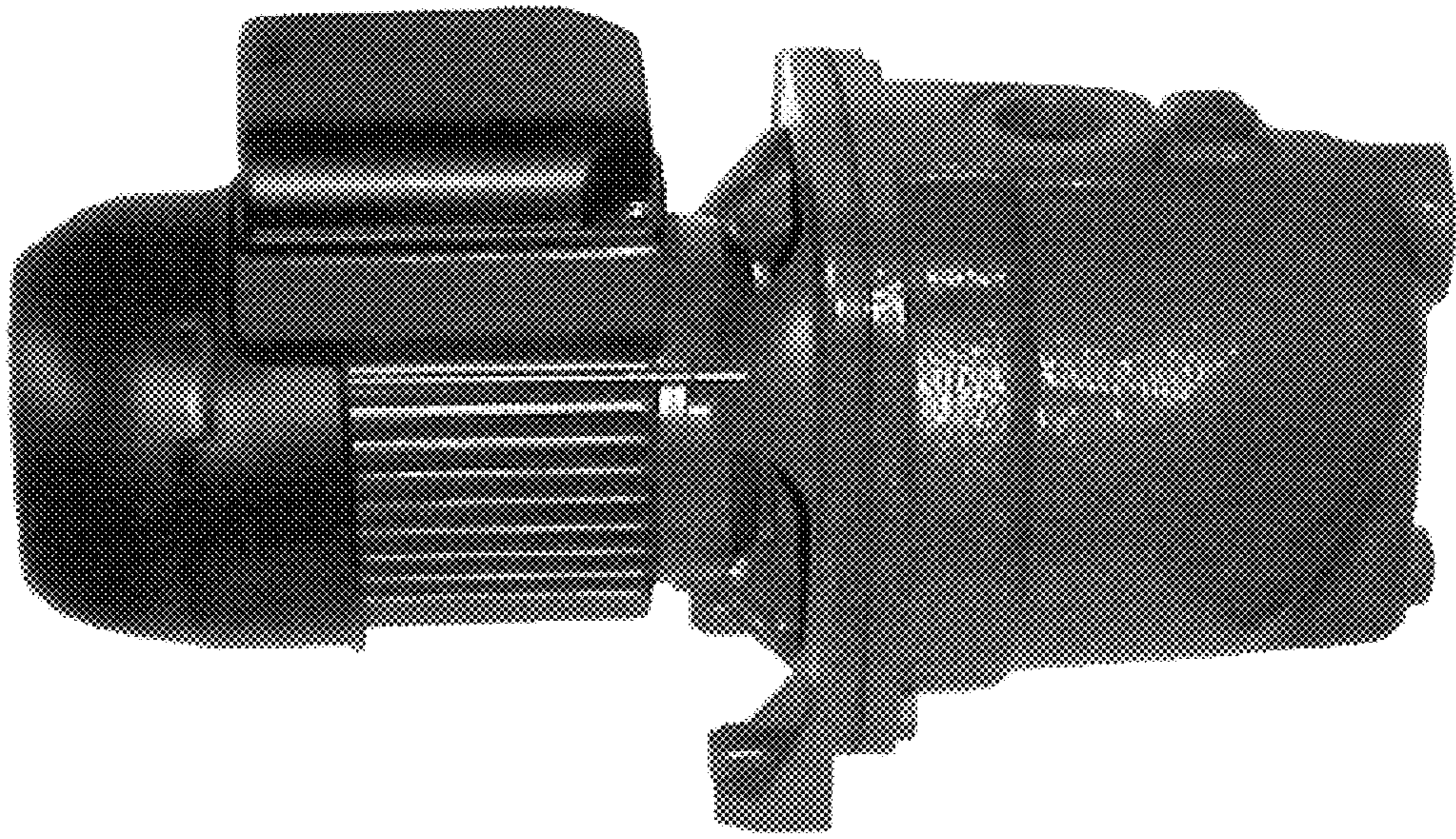


FIG. 5



FIG. 6

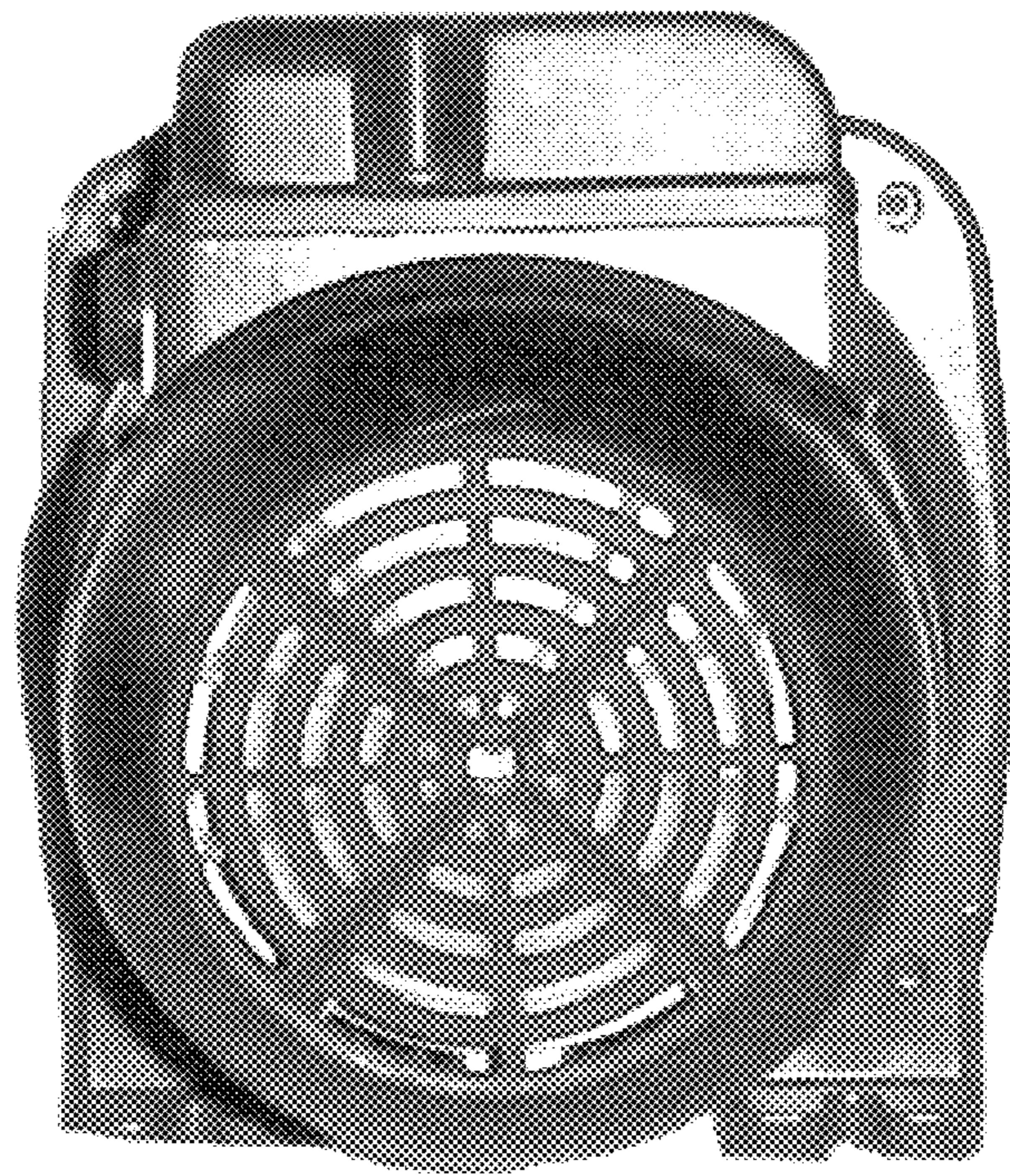


FIG. 7

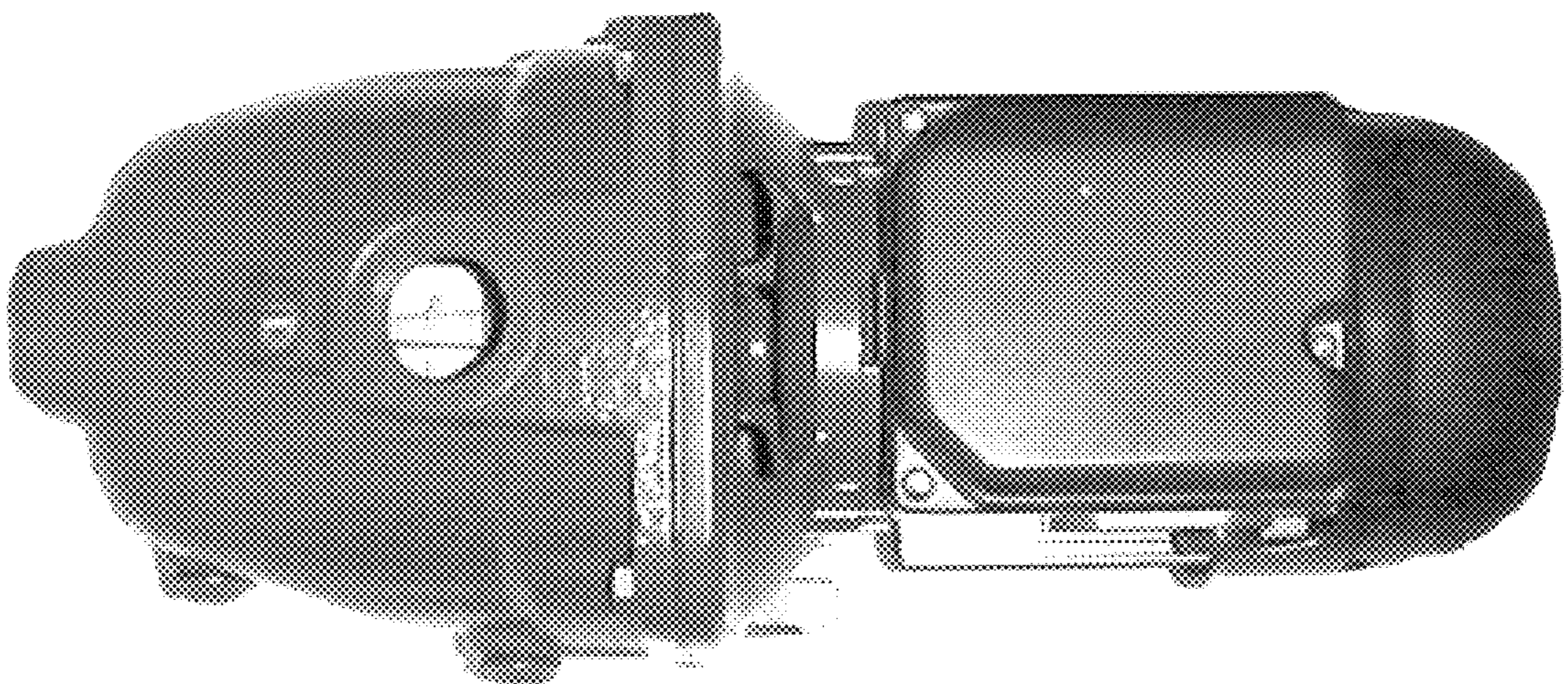


FIG. 8