



US00D485564S

(12) **United States Design Patent**
Yorulmazoglu et al.

(10) **Patent No.:** **US D485,564 S**
(45) **Date of Patent:** **** Jan. 20, 2004**

(54) **PUMP**
(75) Inventors: **Idil Yorulmazoglu**, Shorewood, WI (US); **Richard Claypool Cameron**, Delavan, WI (US); **Ronald R. Dir**, Racine, WI (US); **Matthew G. Goulet**, Racine, WI (US)
(73) Assignee: **Sta-Rite Industries, Inc.**, Delavan, WI (US)
(**) Term: **14 Years**

D339,810 S 9/1993 Hansen
D357,687 S 4/1995 Jensen
5,407,323 A 4/1995 Gay et al.
D365,107 S 12/1995 Ward
D372,719 S 8/1996 Jensen
D380,217 S 6/1997 Jermeay
D384,674 S 10/1997 Grolle et al.
D393,266 S 4/1998 Hathaway
D407,411 S 3/1999 Chalberg et al.
D419,567 S 1/2000 Weiss
D435,049 S 12/2000 Tsai
D455,440 S 4/2002 Yorulmazoglu et al.

(21) Appl. No.: **29/158,763**
(22) Filed: **Apr. 9, 2002**

Primary Examiner—Ralf Seifert
(74) *Attorney, Agent, or Firm*—Michael Best & Friedrich LLP

Related U.S. Application Data

(62) Division of application No. 29/133,660, filed on Dec. 1, 2000, now Pat. No. Des. 455,440.
(51) **LOC (7) Cl.** **15-02**
(52) **U.S. Cl.** **D15/7**
(58) **Field of Search** D15/7-9; 138/33; 417/360, 321, 234-235, 368, 48, 424, 572; 221/61; 137/208; 285/24, 156, 8, 148.13, 41, 61, 155, 292

(57) **CLAIM**

The ornamental design for a pump, as shown and described.

DESCRIPTION

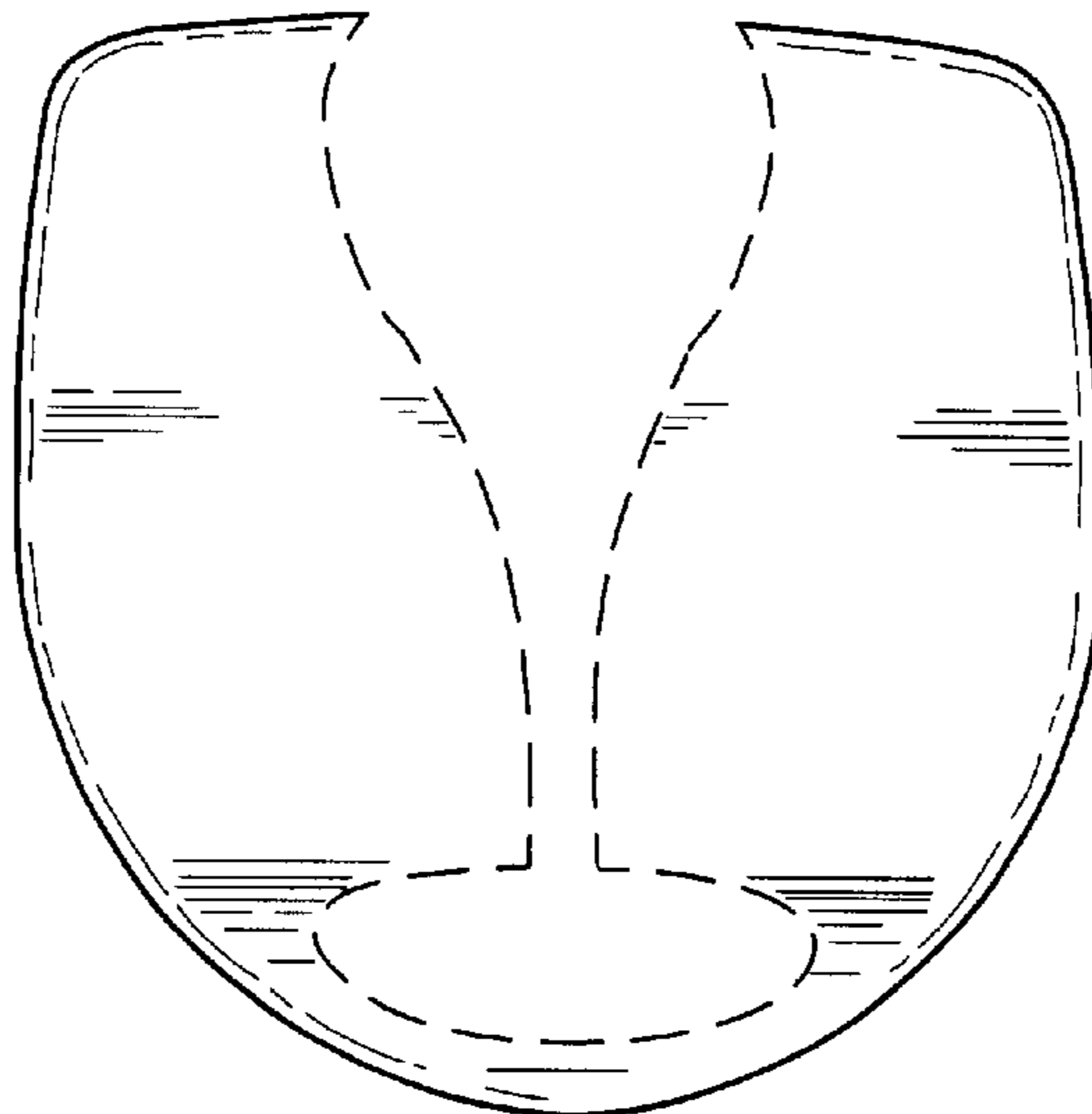
(56) **References Cited**

U.S. PATENT DOCUMENTS

3,752,603 A 8/1973 Bunch
D229,235 S 11/1973 Bunch
D237,835 S 11/1975 Bevan et al.
3,958,894 A 5/1976 Rowley et al.
D287,656 S 1/1987 Waldrep et al.
D294,265 S 2/1988 Gray
D299,143 S 12/1988 Hazlehurst
4,830,573 A 5/1989 Campbell
D303,532 S 9/1989 Gesens
D315,911 S 4/1991 Campbell
D316,099 S 4/1991 Hartz
D327,075 S 6/1992 Tiedemann

FIG. 1 is a perspective view of a pump constructed in accordance with one preferred embodiment of the present invention;
FIG. 2 is an elevational view of the front of the pump shown in FIG. 1;
FIG. 3 is an elevational view of the rear of the pump shown in FIGS. 1 and 2;
FIG. 4 is a top plan view of the pump shown in FIGS. 1-3;
FIG. 5 is a bottom plan view of the pump shown in FIGS. 1-4;
FIG. 6 is an elevational view of the right side of the pump shown in FIGS. 1-5;
FIG. 7 is an elevational view of the left side of the pump shown in FIGS. 1-6; and,
FIGS. 8-14 are views of the pump illustrated in FIGS. 1-7, respectively, shown with unclaimed subject matter removed for clarity.
The broken lines in the Figures are shown for illustrative purposes only and form no part of the claimed design.

1 Claim, 6 Drawing Sheets



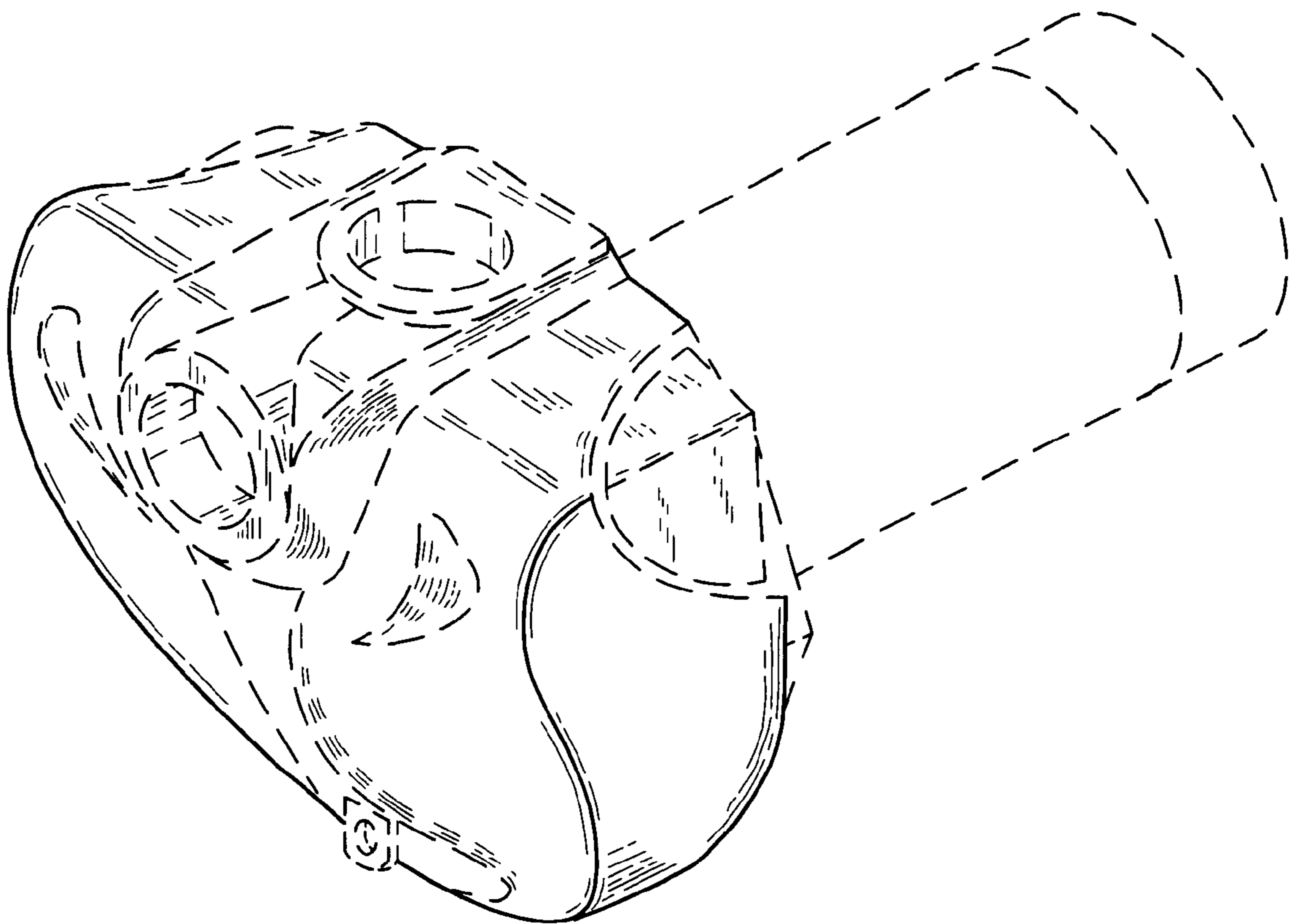


FIG. 1

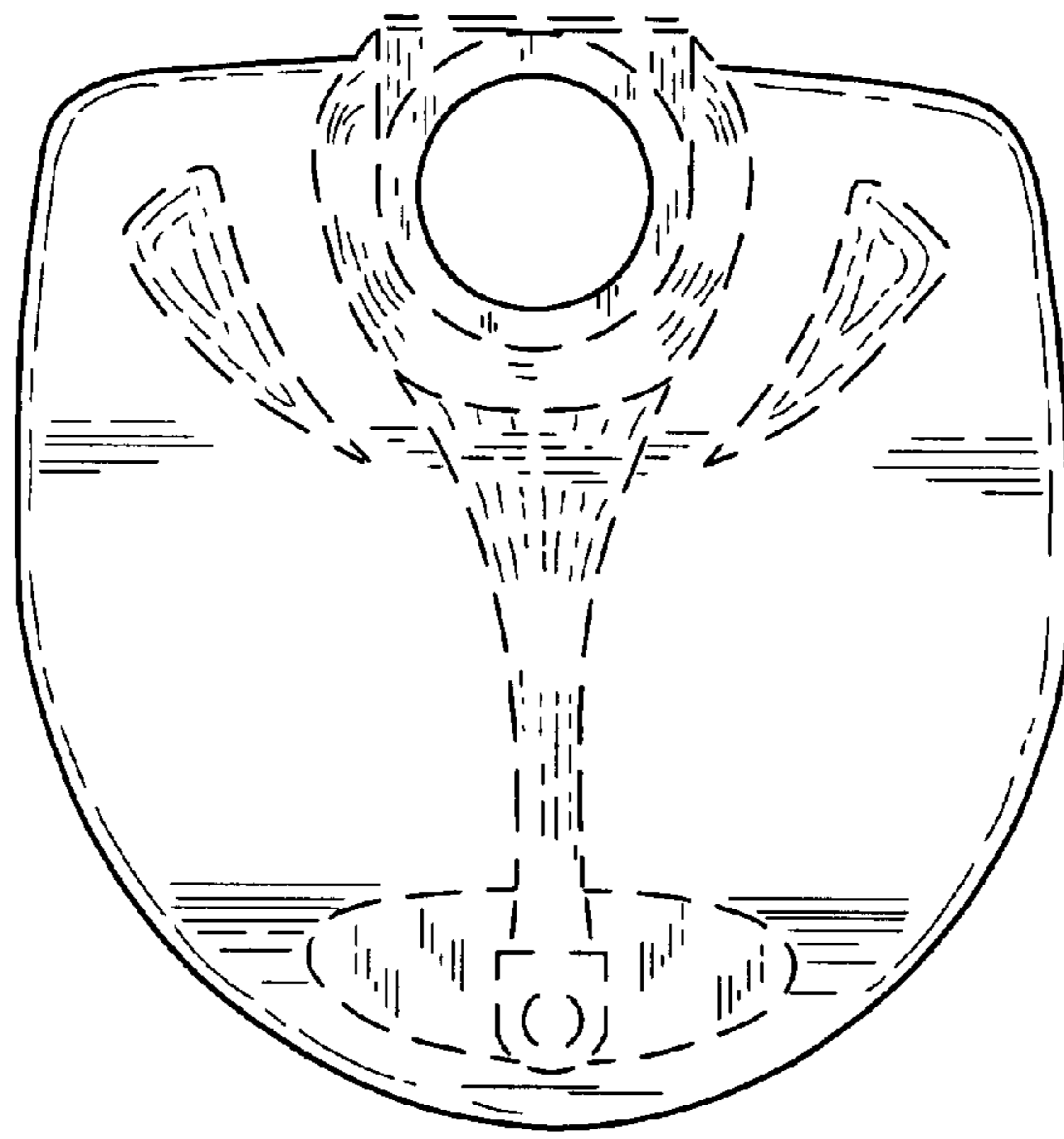


FIG. 2

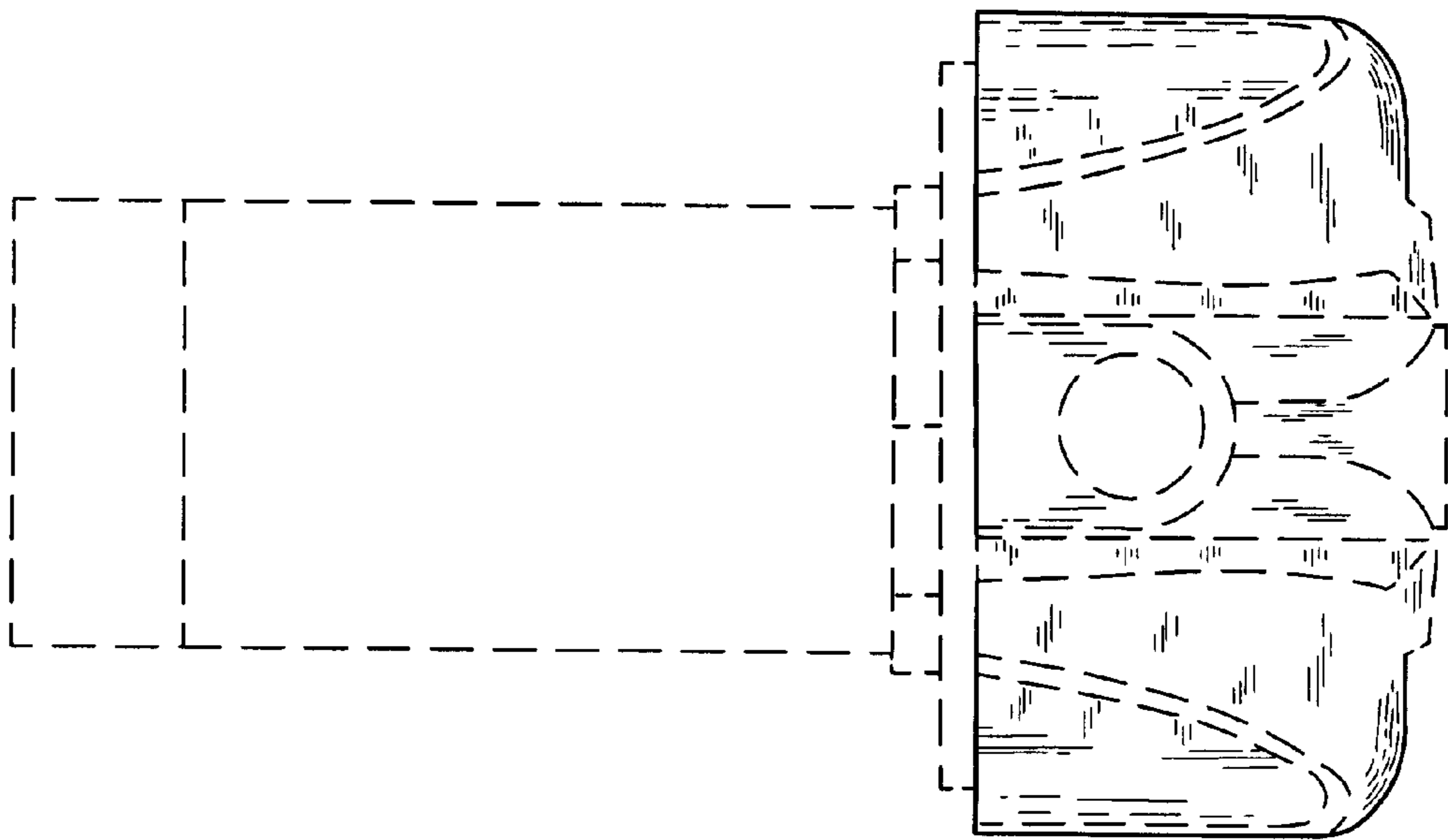


FIG. 3

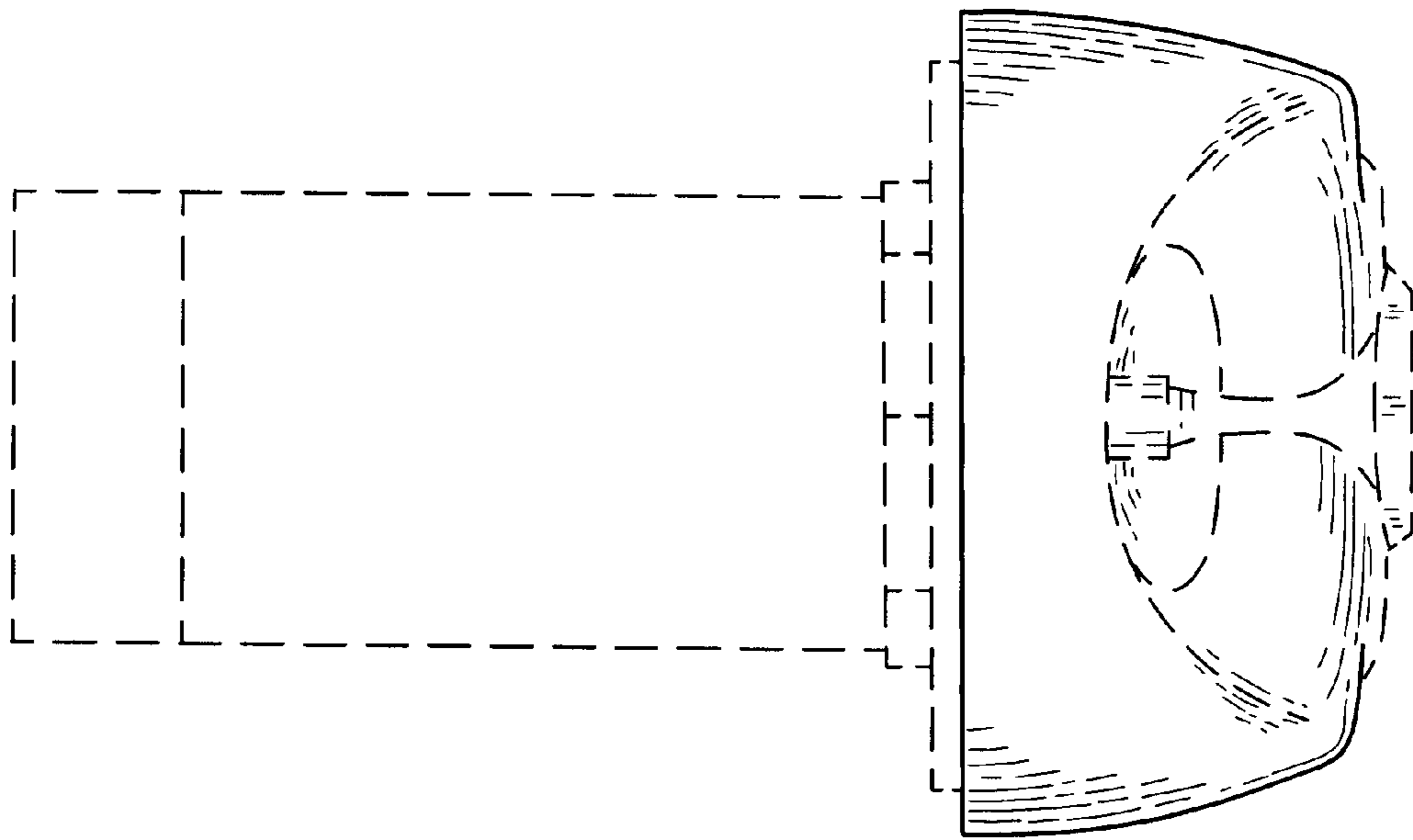


FIG. 4

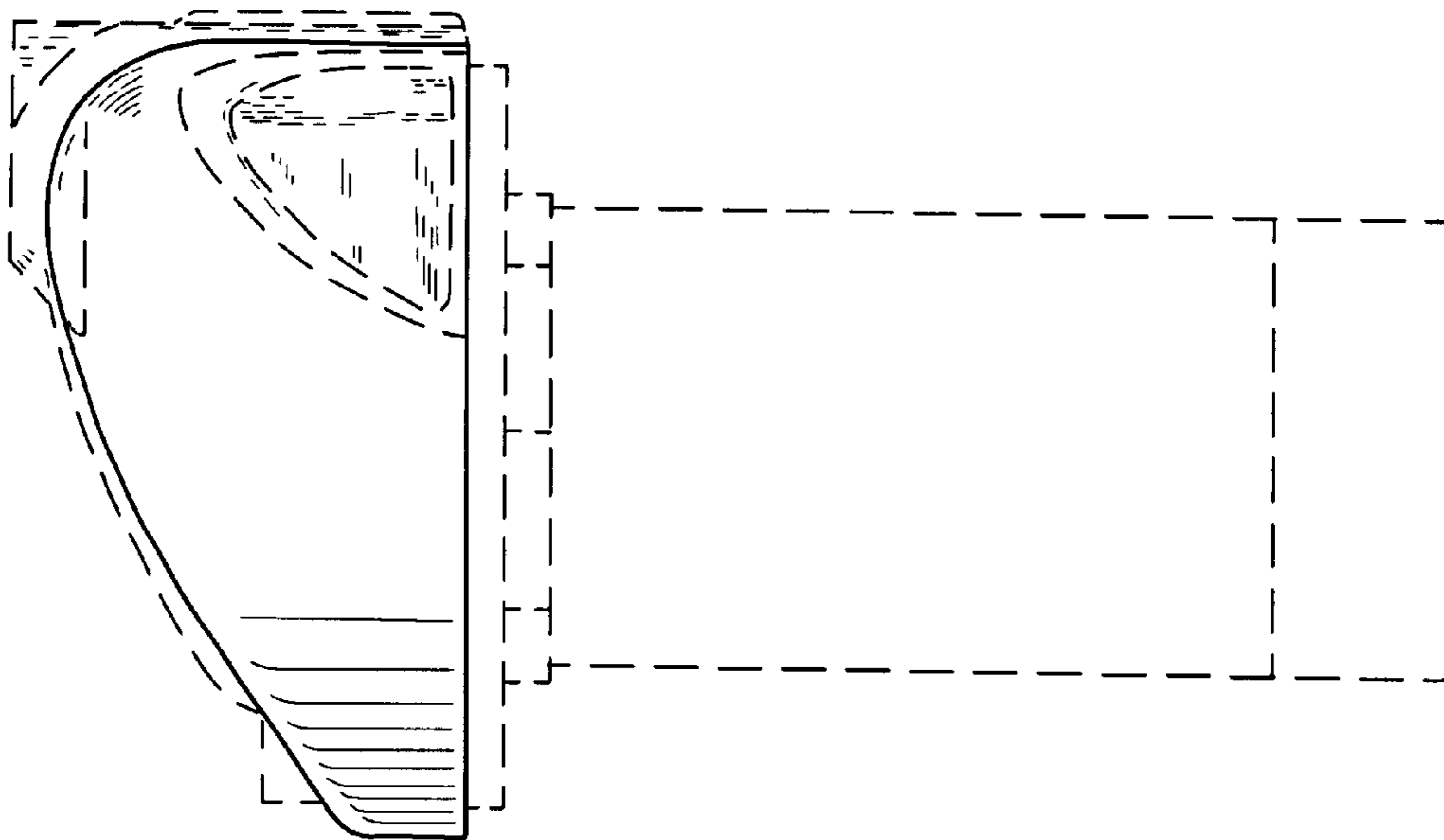


FIG. 5

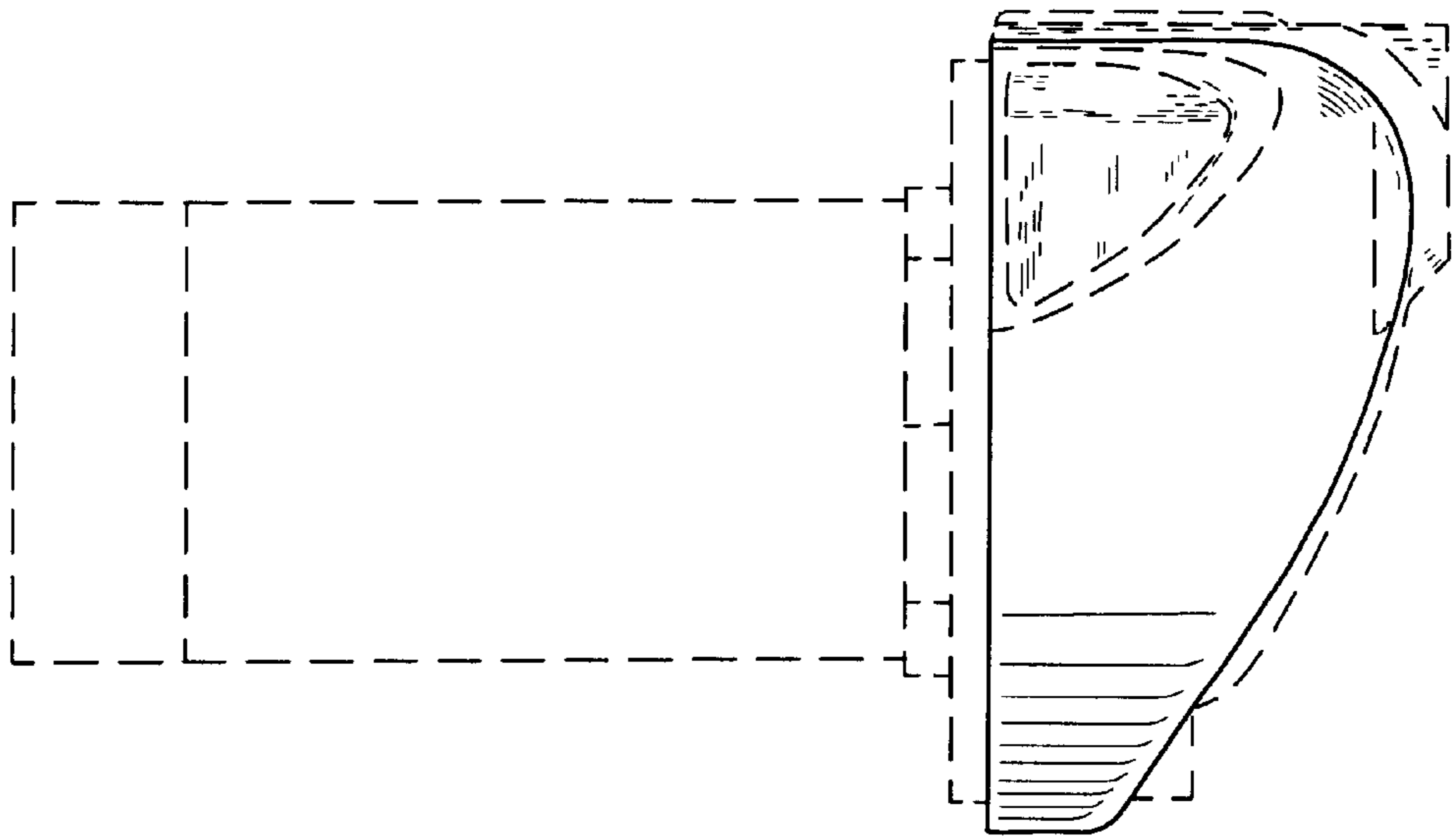


FIG. 6

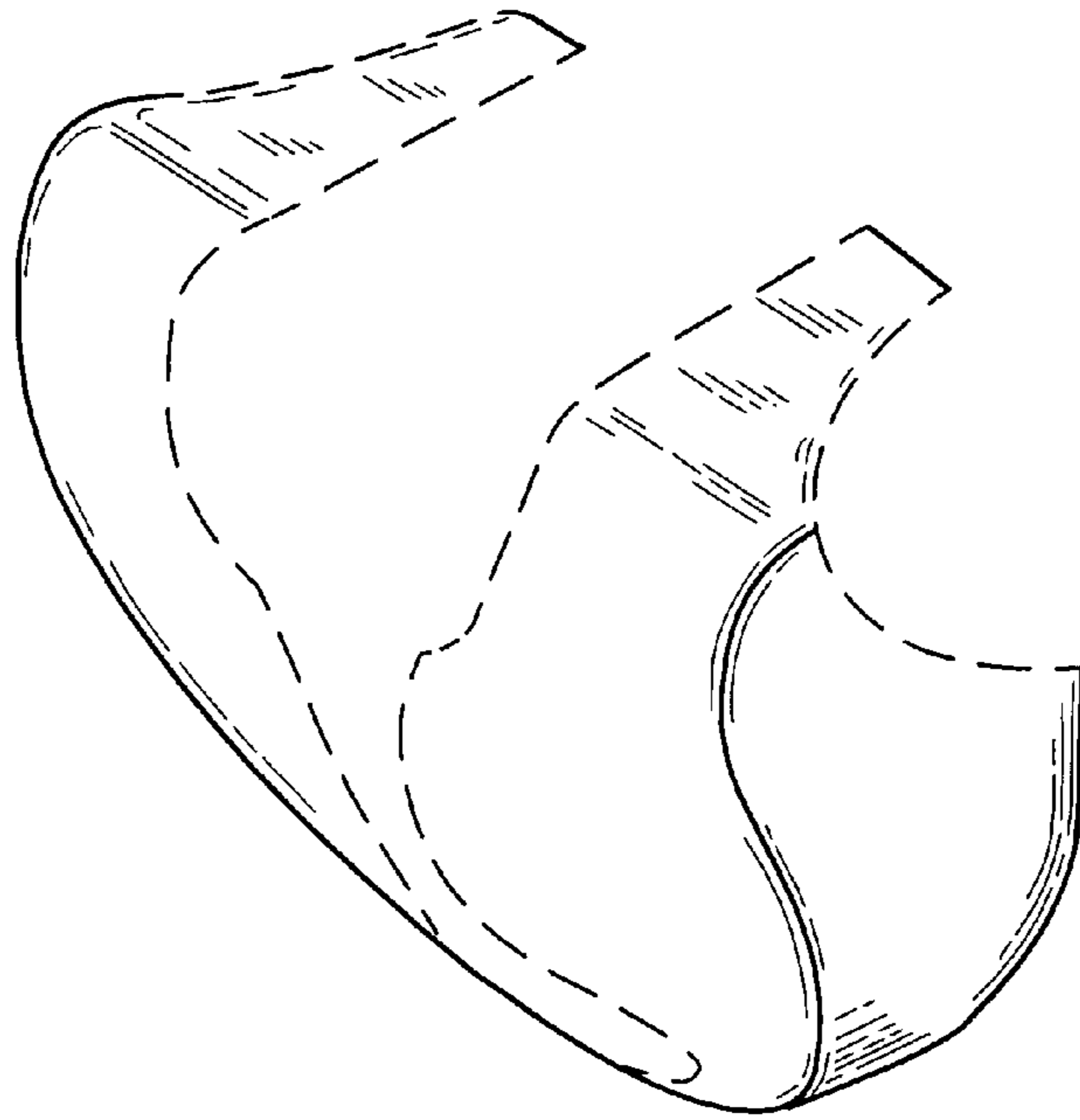


FIG. 7

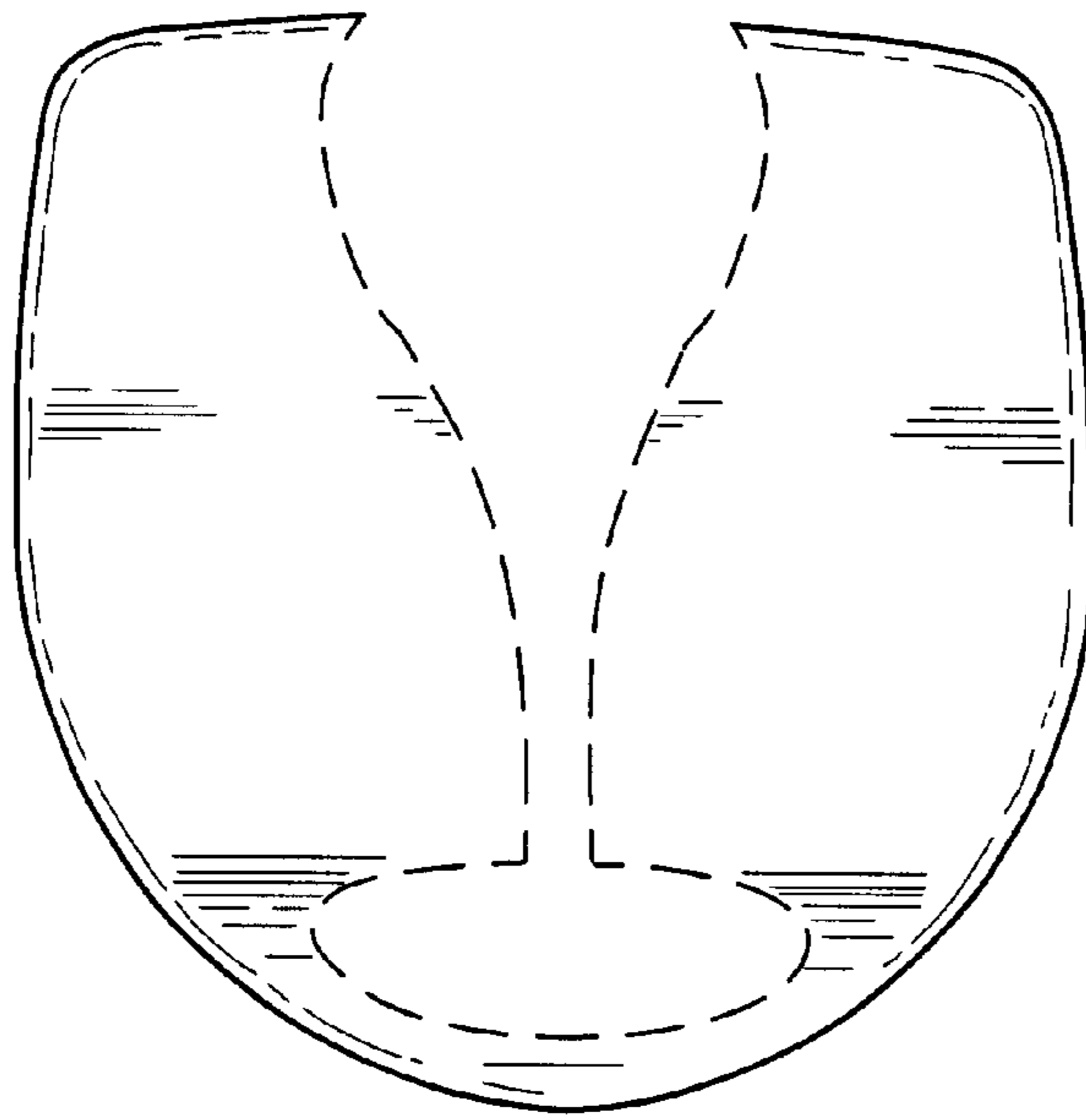


FIG. 8

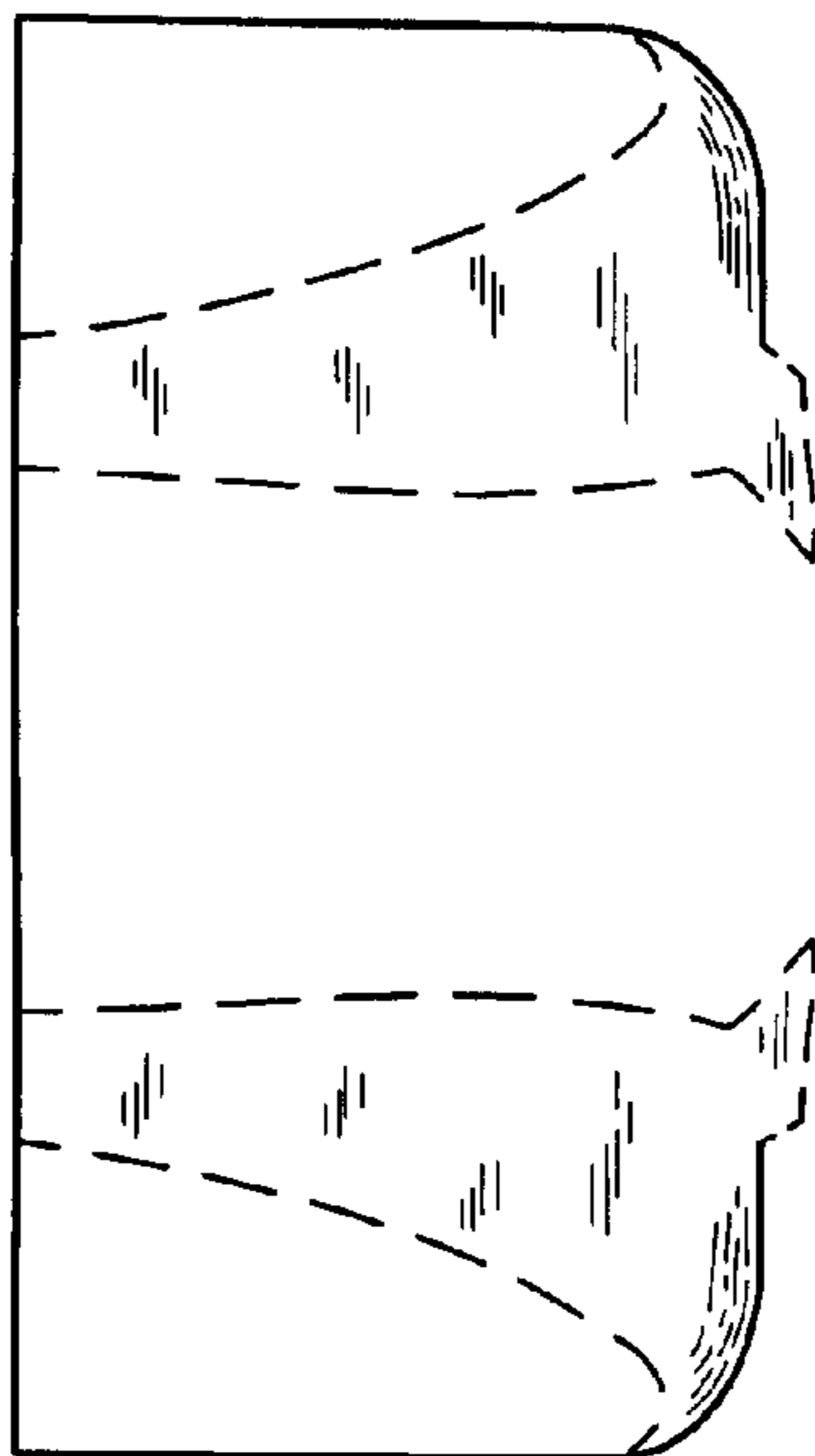


FIG. 9

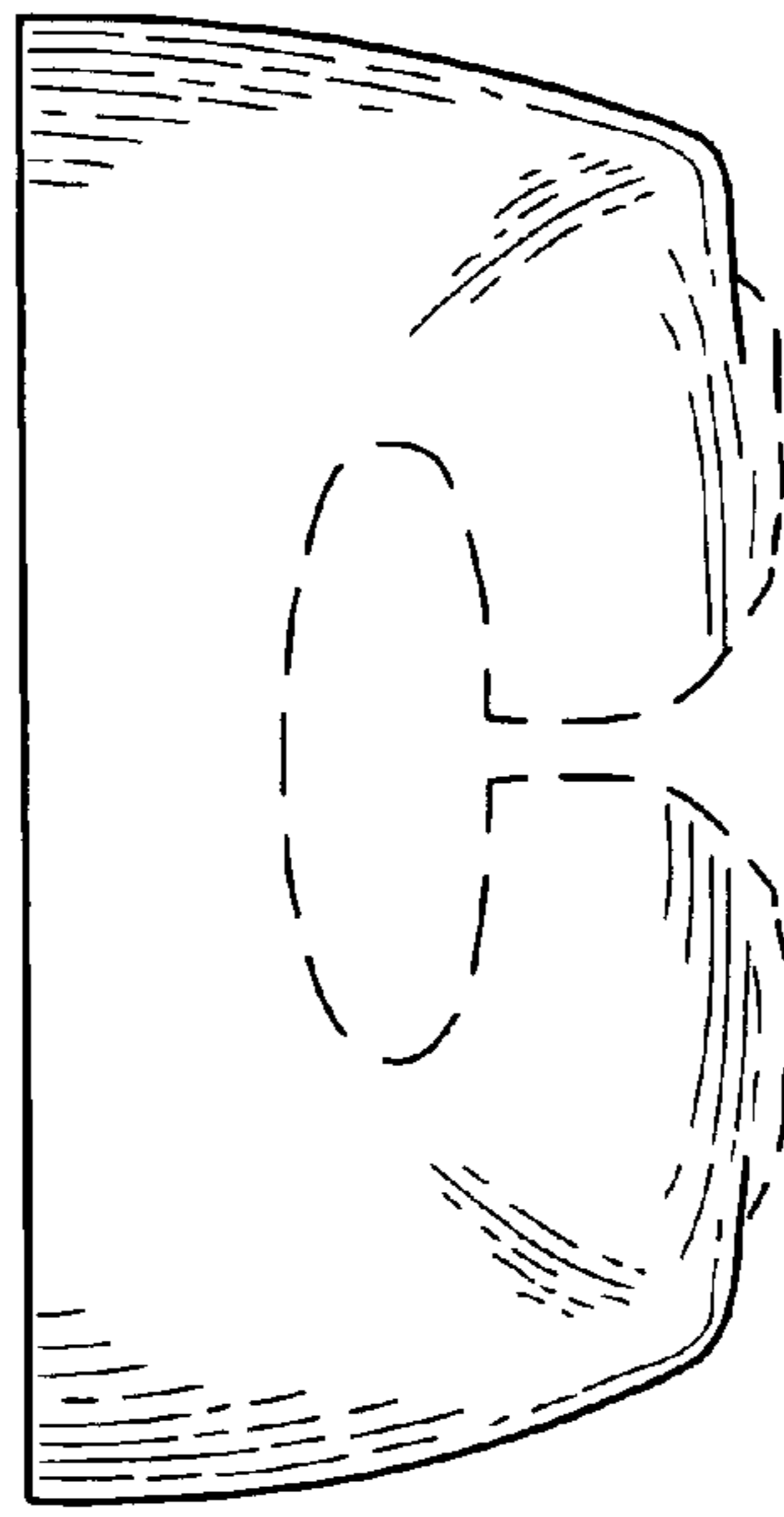


FIG. 10

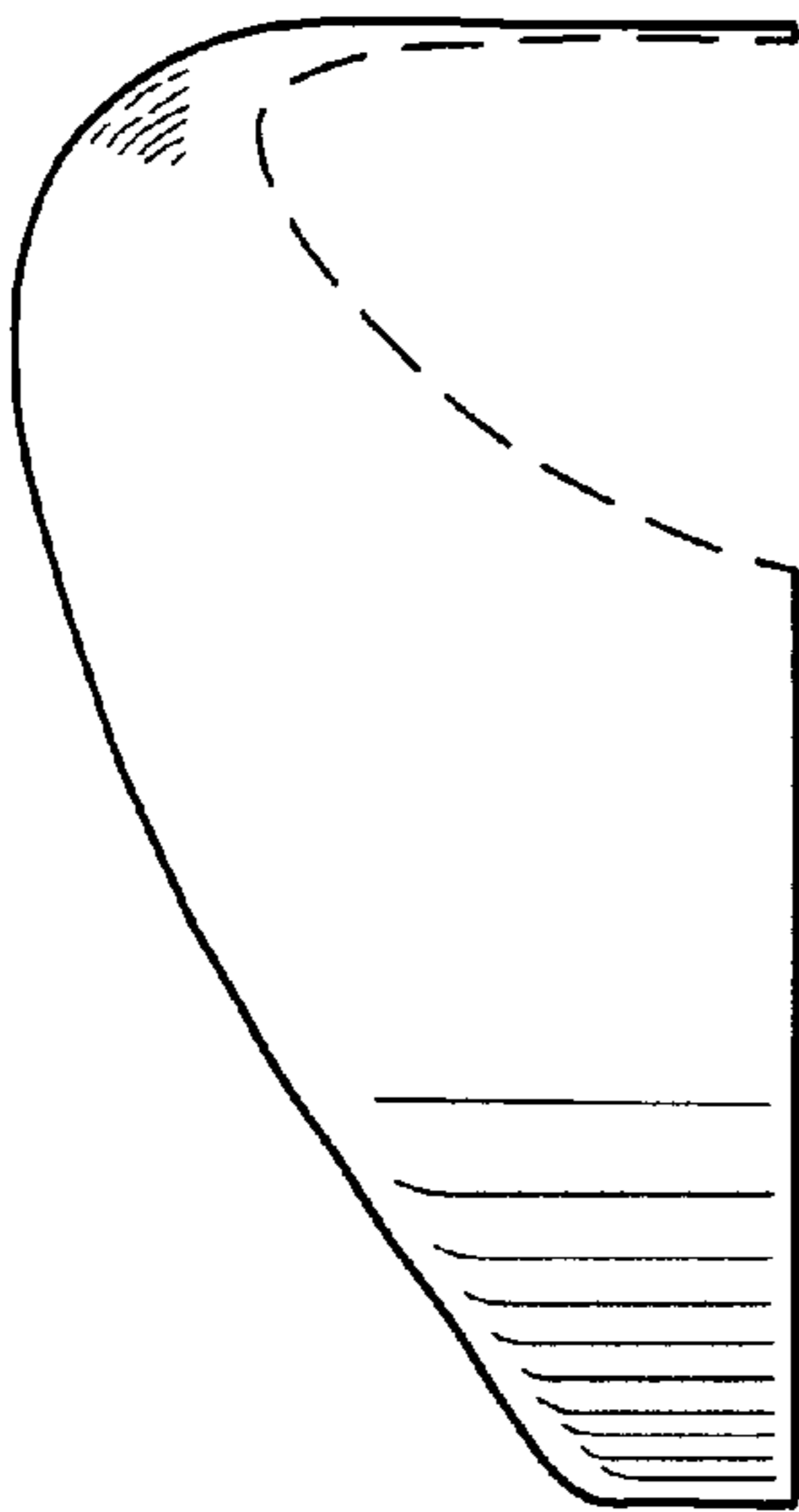


FIG. 11

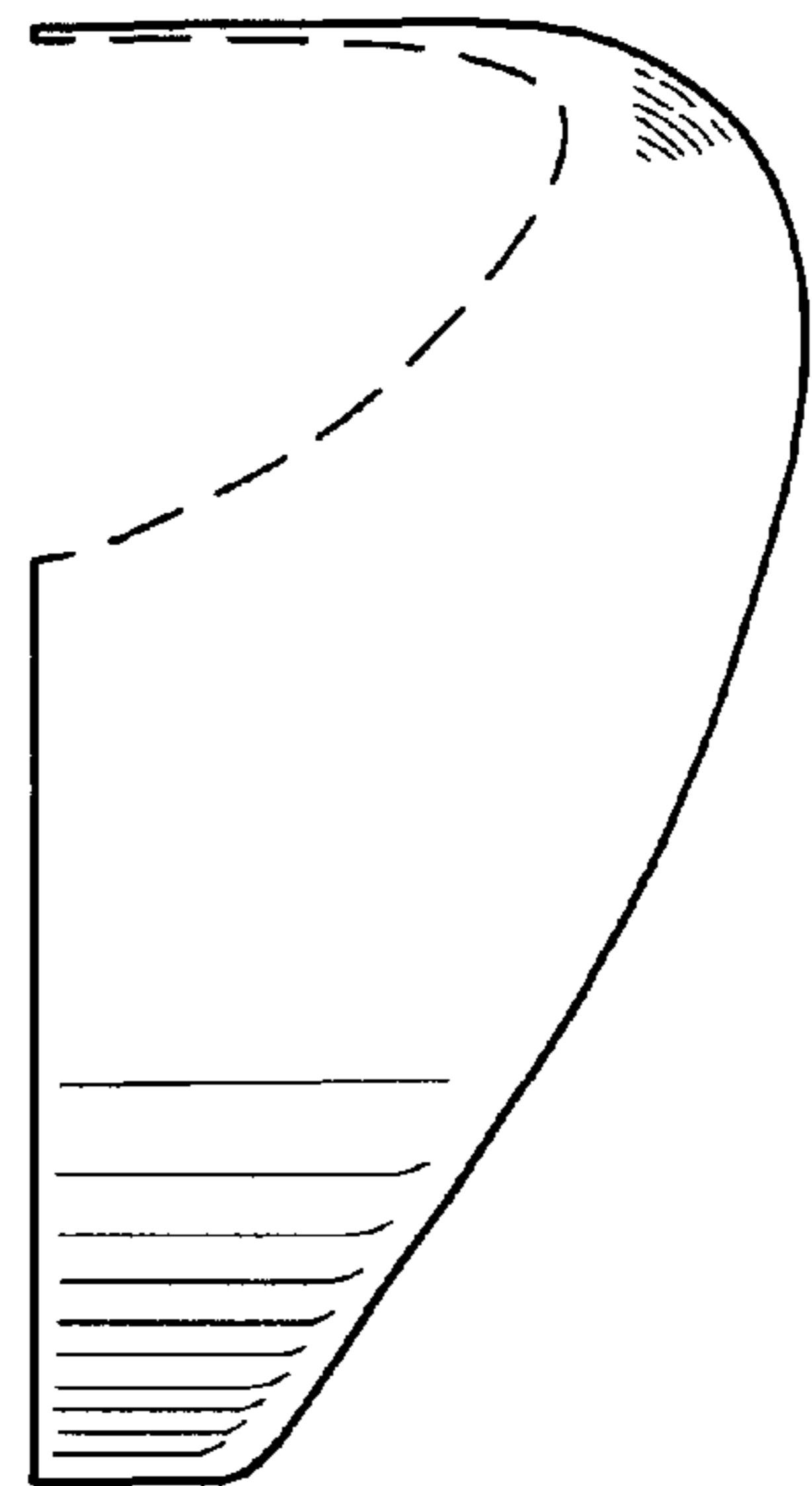


FIG. 12