



US00D485562S

(12) **United States Design Patent**
Goto

(10) **Patent No.:** **US D485,562 S**

(45) **Date of Patent:** **** Jan. 20, 2004**

(54) **INTERFACE UNIT FOR A COMPUTER**

(75) **Inventor:** **Teiyu Goto, Tokyo (JP)**

(73) **Assignee:** **Sony Computer Entertainment Inc., Tokyo (JP)**

(**) **Term:** **14 Years**

(21) **Appl. No.:** **29/175,354**

(22) **Filed:** **Feb. 4, 2003**

Related U.S. Application Data

(62) Division of application No. 29/139,247, filed on Mar. 28, 2001, now Pat. No. Des. 474,185.

(30) **Foreign Application Priority Data**

Nov. 10, 2000 (JP) 2000-032093
Nov. 10, 2000 (JP) 2000-032094

(51) **LOC (7) Cl.** **14-02**

(52) **U.S. Cl.** **D14/439; D14/357; D14/433**

(58) **Field of Search** **D14/432, 433, D14/436, 439, 242, 357; D13/184, 199, 162; 360/99.01-99.12; 361/690-696, 728-736; 379/142.15**

(56) **References Cited**

U.S. PATENT DOCUMENTS

D327,879 S 7/1992 Lou

D348,873 S 7/1994 Mizusugi et al.
D368,266 S 3/1996 McClain et al.
D458,267 S 6/2002 Goto
D459,724 S 7/2002 Goto

OTHER PUBLICATIONS

International Computer Trade, Issue 183 (Mar. 1, 1999).
“The Key to Top Production Efficiency” Electronic Components, p. 60, (Mar. 2002).

Primary Examiner—Kay H. Chin
(74) *Attorney, Agent, or Firm*—Rader, Fishman & Grauer PLLC

(57) **CLAIM**

I claim the ornamental design for an interface unit for a computer, as shown.

DESCRIPTION

FIG. 1 is a rear perspective view of an interface unit for a computer showing my new design;
FIG. 2 is a rear elevational view thereof;
FIG. 3 is a left side elevational view thereof;
FIG. 4 is a right side elevational view thereof;
FIG. 5 is a top plan view thereof; and,
FIG. 6 is a bottom plan view thereof.

Portions in broken lines are for illustrative purposes only and forms no part of the claimed design.

1 Claim, 3 Drawing Sheets

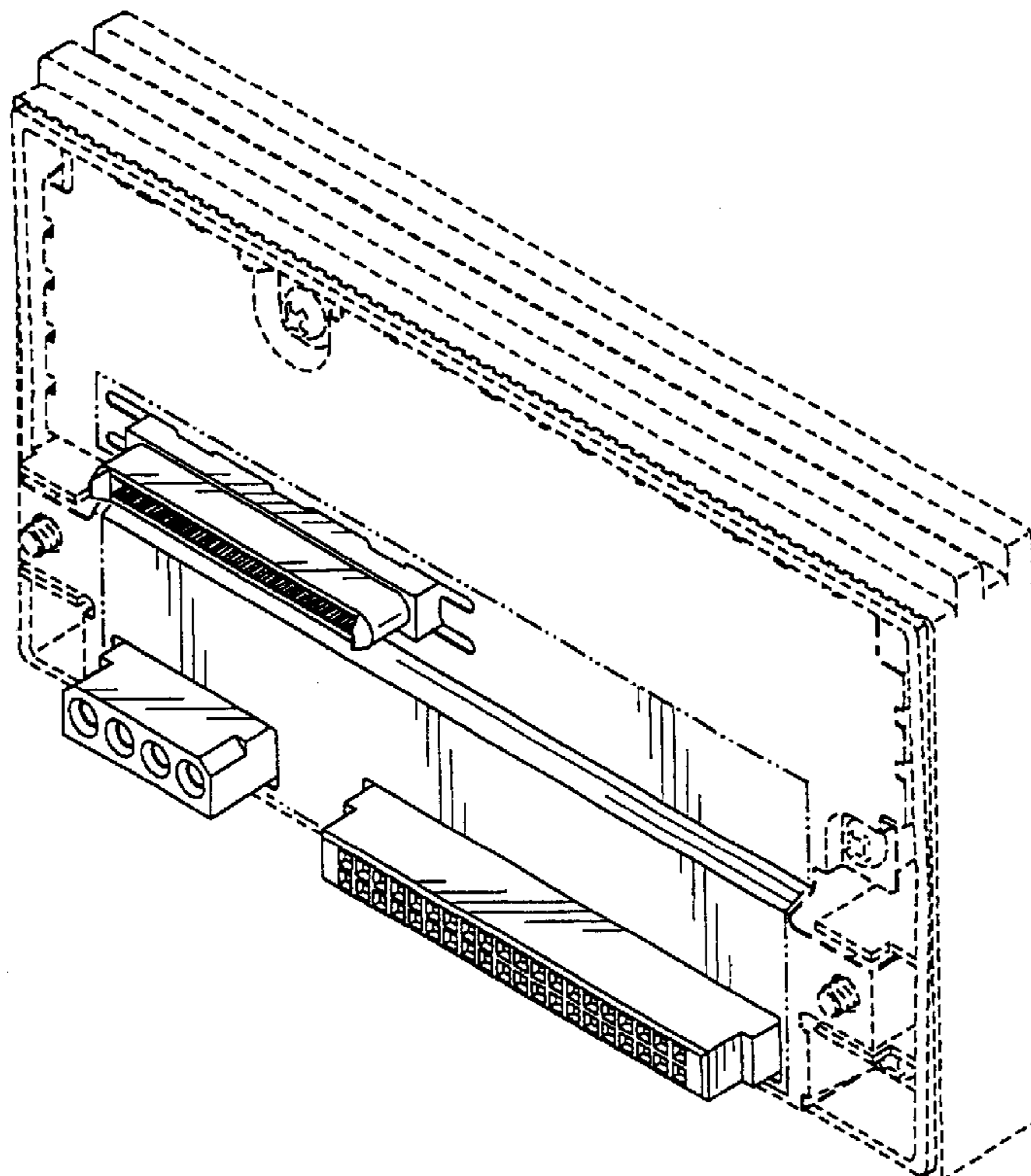


Fig. 1

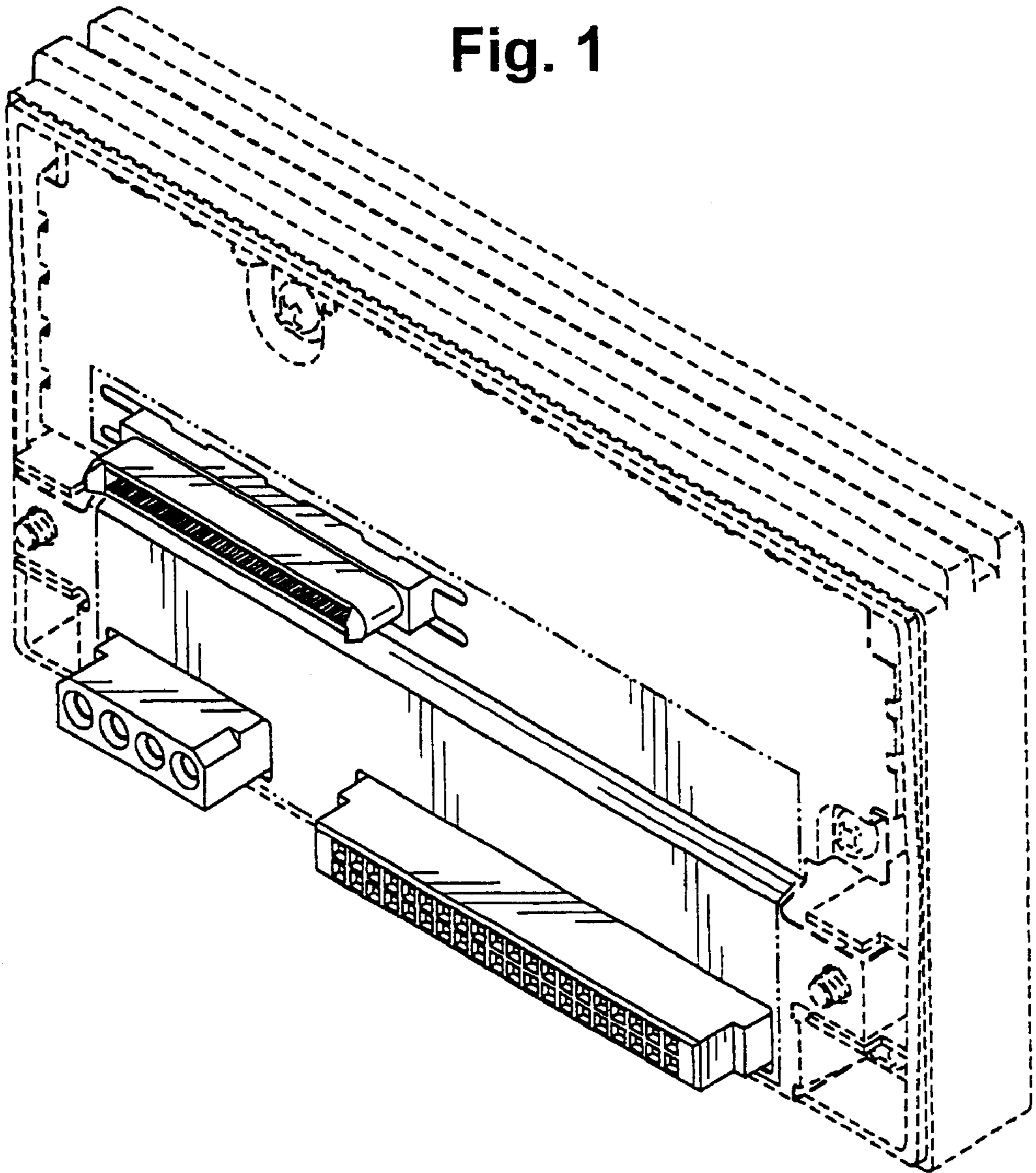


Fig. 2

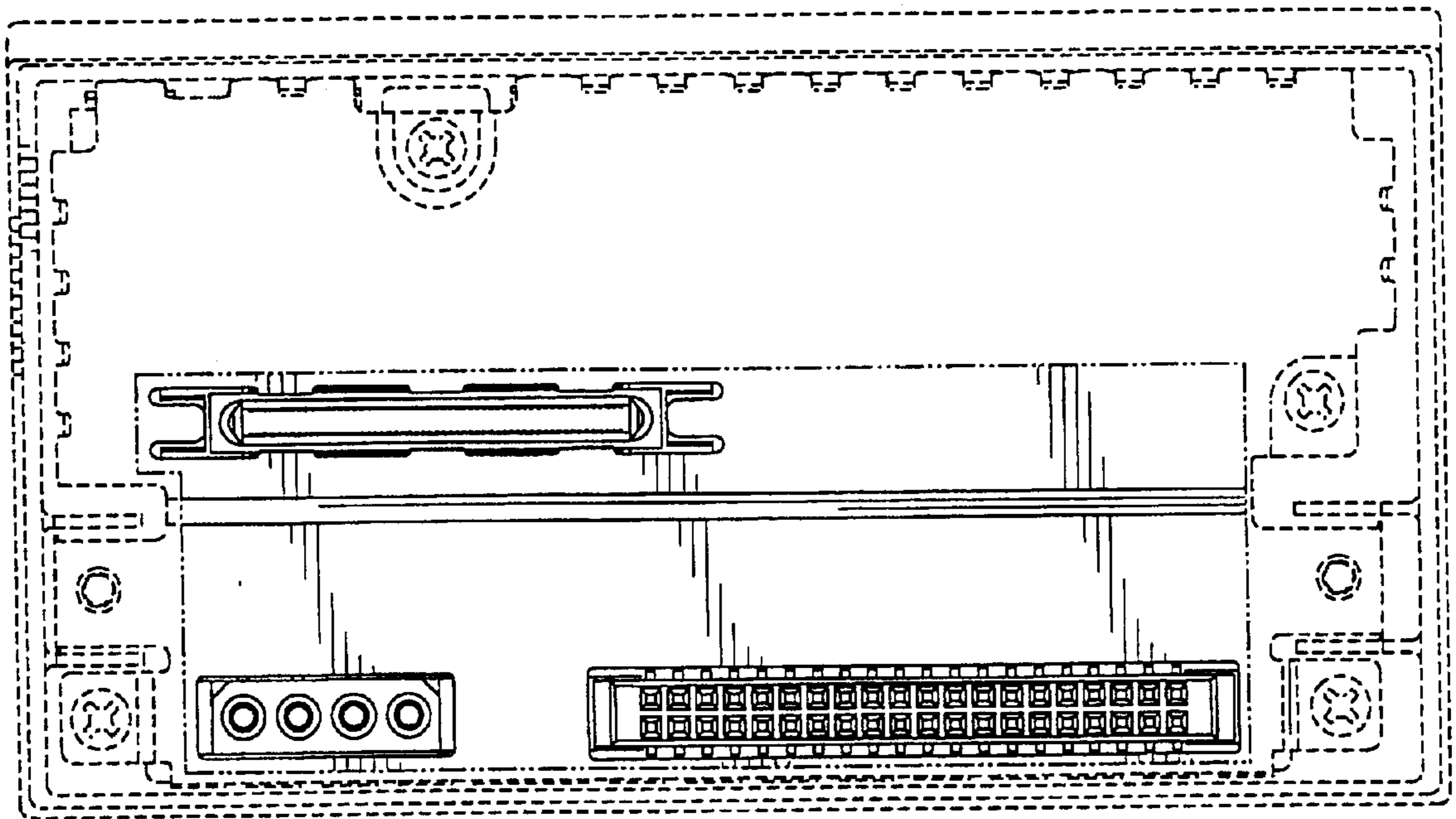


Fig. 3

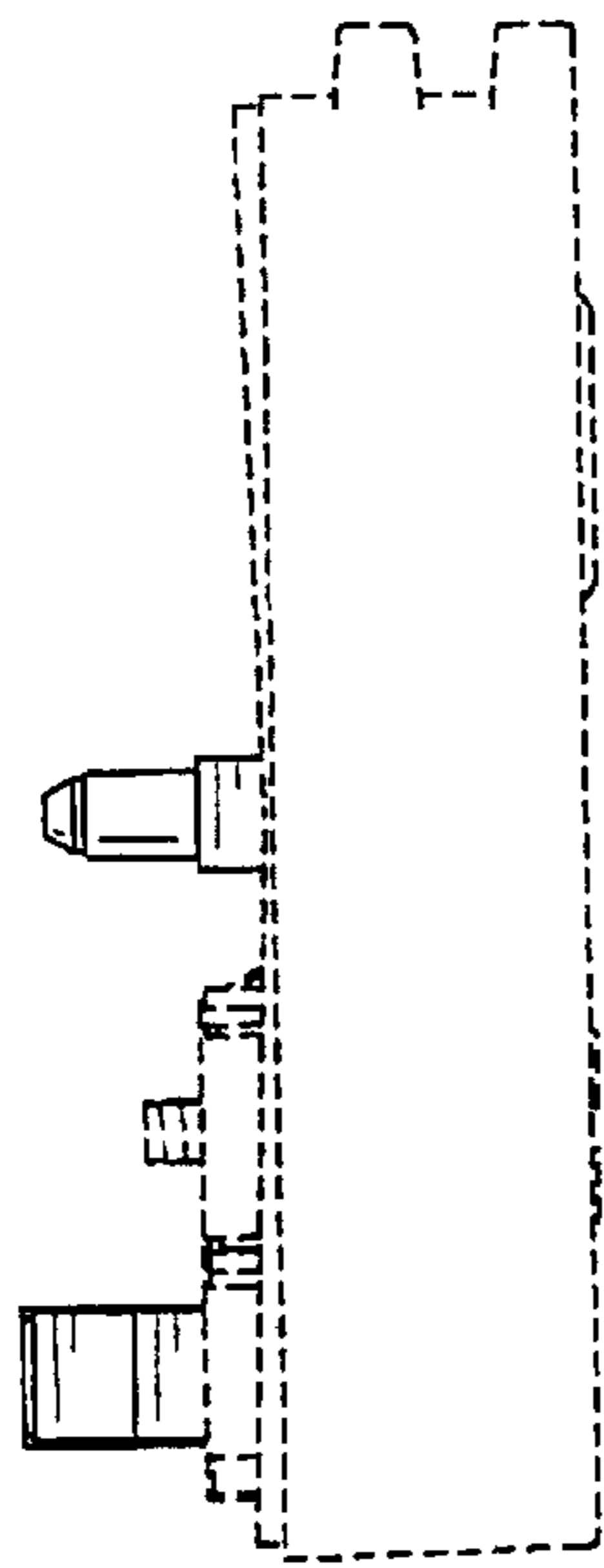


Fig 4

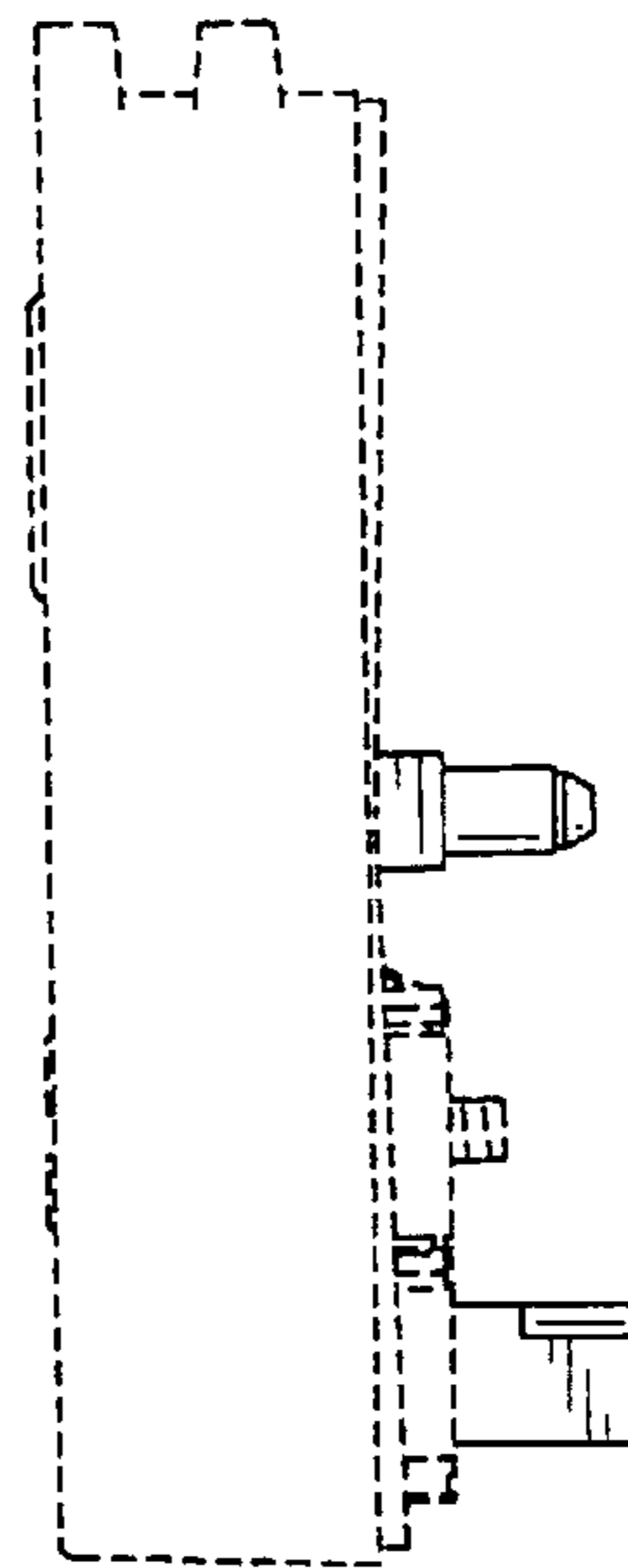


Fig. 5

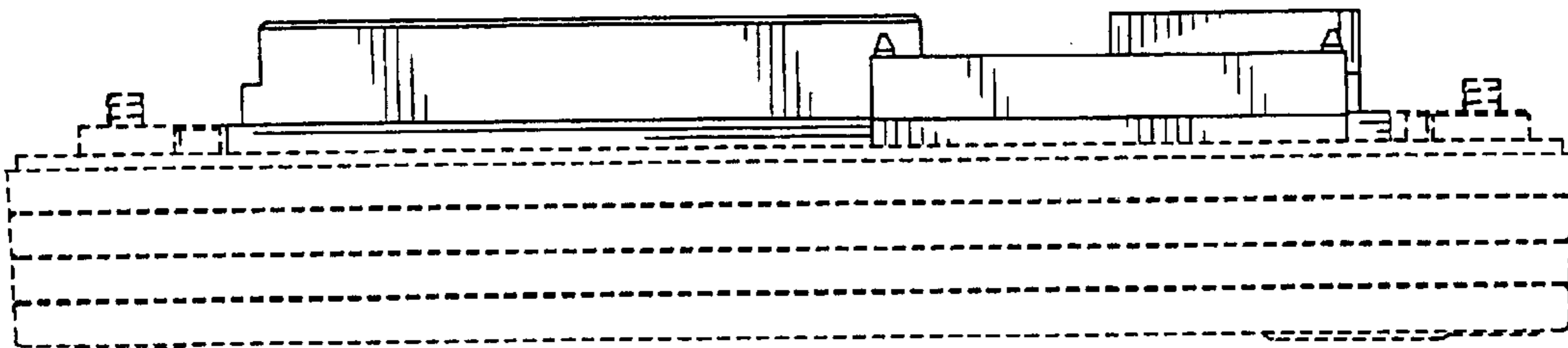


Fig. 6

