



US00D485560S

(12) **United States Design Patent**
Dearborn et al.

(10) **Patent No.:** **US D485,560 S**
(45) **Date of Patent:** **** Jan. 20, 2004**

- (54) **COMPUTER SYSTEM STATUS DISPLAY**
- (75) Inventors: **Timothy C. Dearborn**, Austin, TX
(US); **Shawn P. Hoss**, Round Rock, TX
(US)
- (73) Assignee: **Dell Products, L.P.**, Round Rock, TX
(US)
- (**) Term: **14 Years**
- (21) Appl. No.: **29/178,619**
- (22) Filed: **Mar. 28, 2003**

D411,178 S	6/1999	Ikenaga	D14/349
D412,497 S	8/1999	Lai	D14/445
5,954,827 A	9/1999	Frank et al.	714/48
D416,009 S	11/1999	Lai	D14/445
5,995,012 A	11/1999	Lee et al.	340/815.45
D431,243 S	9/2000	Oba	D14/351
D432,134 S	10/2000	Leman	D14/441
D435,559 S	* 12/2000	Tanaka	D14/444
D436,952 S	1/2001	Goto	D14/349
D436,953 S	1/2001	Matsuoka	D14/349
D437,325 S	* 2/2001	Searby et al.	D14/445
D440,572 S	4/2001	Jean et al.	D14/445
D476,009 S	* 6/2003	Dearborn et al.	D14/432
2002/0190868 A1	* 12/2002	Dearborn et al.	340/691.1

Related U.S. Application Data

- (62) Division of application No. 29/143,122, filed on Jun. 7, 2001, now Pat. No. Des. 476,009.
- (51) **LOC (7) Cl.** **14-02**
- (52) **U.S. Cl.** **D14/432**
- (58) **Field of Search** D14/441-446,
D14/239, 371, 432; D13/162, 184, 199;
312/223.2; 361/680-686, 690-696; 340/691.1,
815.45

(56) **References Cited**

U.S. PATENT DOCUMENTS

D360,411 S	* 7/1995	Sharp et al.	D14/445
5,519,832 A	5/1996	Warchol	395/183.22
5,880,955 A	3/1999	Matoba et al.	364/188

* cited by examiner

Primary Examiner—Freda Nunn

(74) *Attorney, Agent, or Firm*—Baker Botts L.L.P.

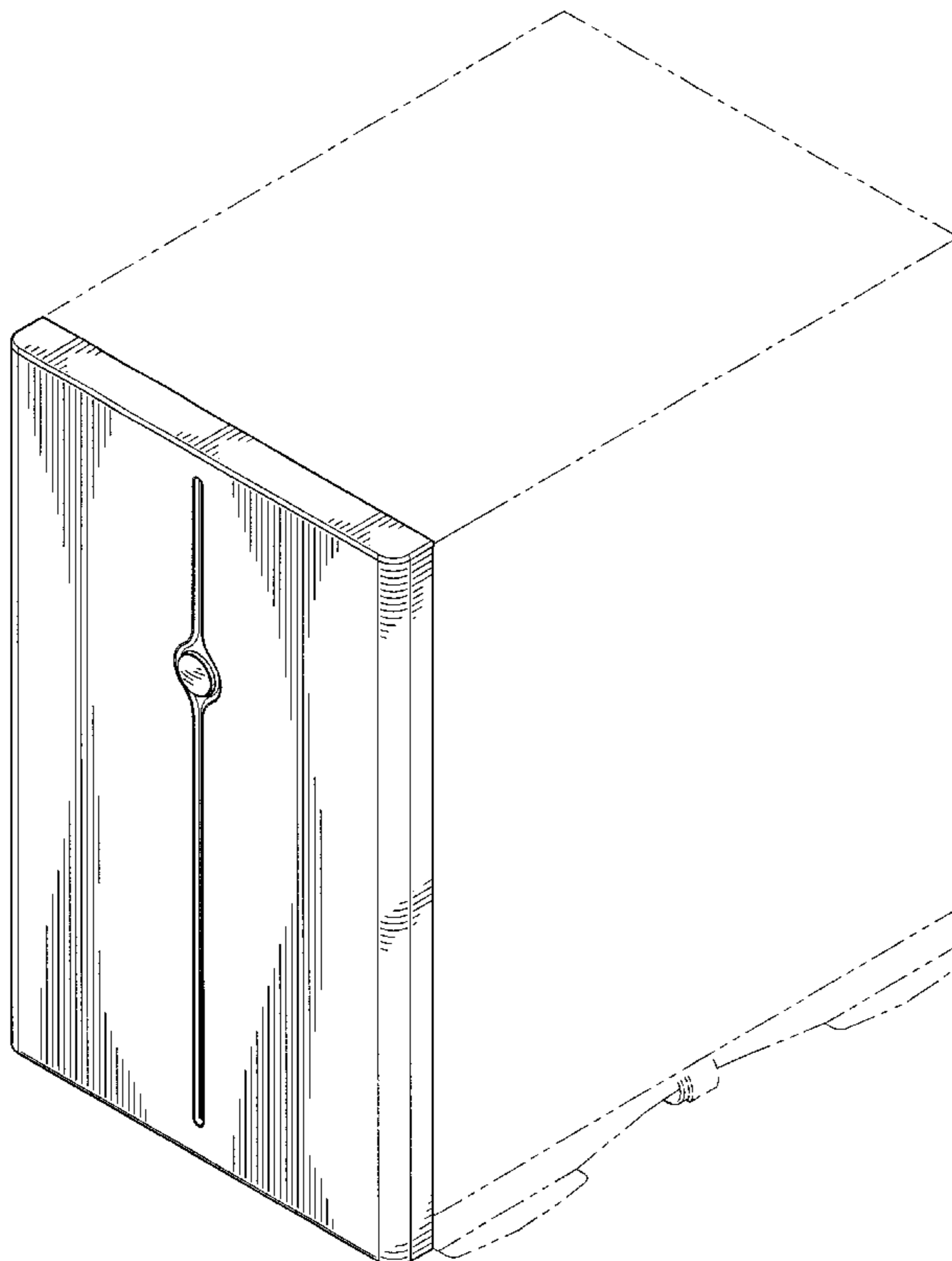
(57) **CLAIM**

The ornamental design for a computer system status display, as shown and described.

DESCRIPTION

FIG. 1 is a front elevational view of a computer system status display; and, FIG. 2 is a perspective view of the computer system status display wherein the computer system is shown in broken lines for illustrative purposes only and forms no part of the claimed design.

1 Claim, 2 Drawing Sheets



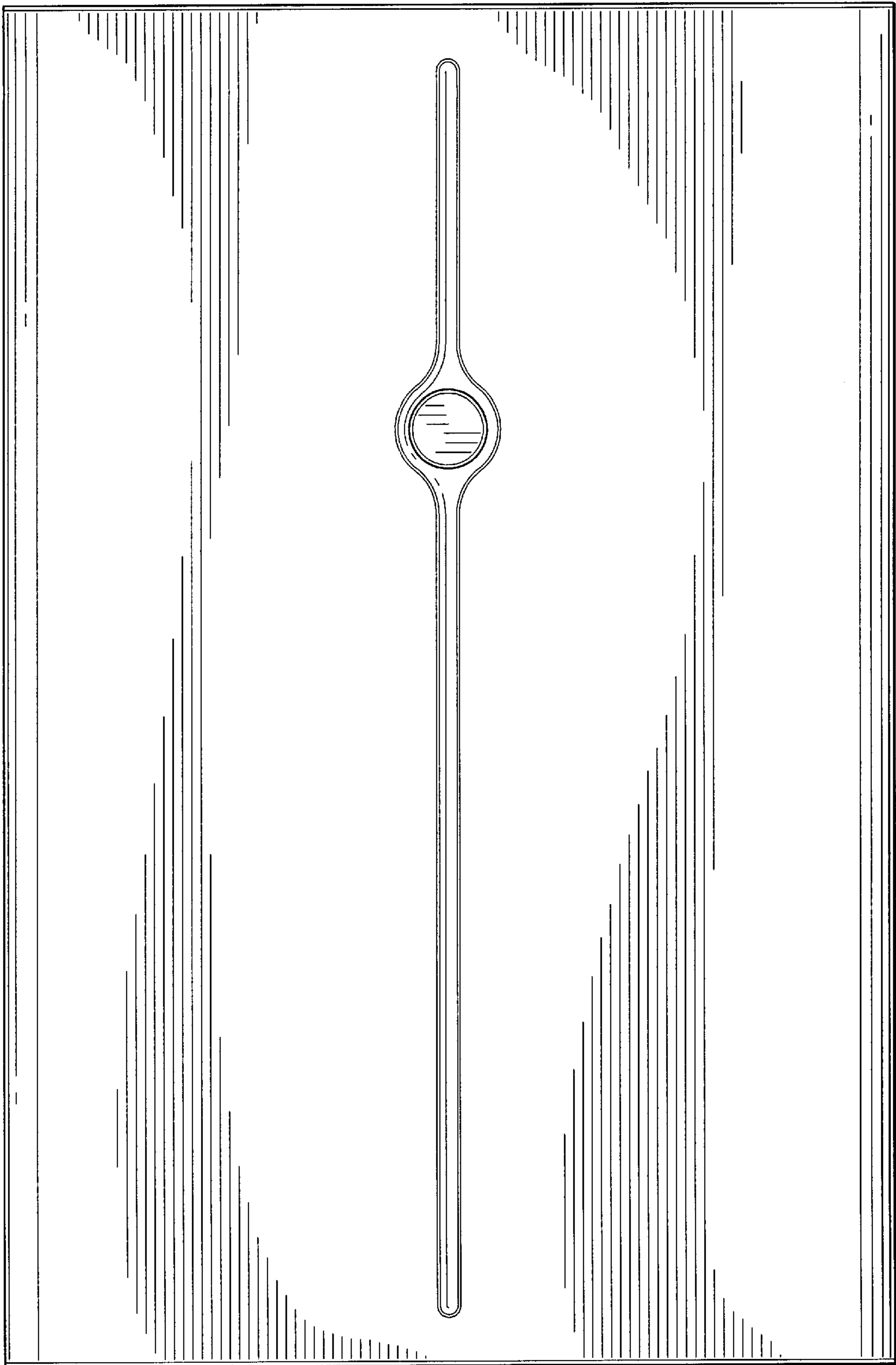


FIG. 1

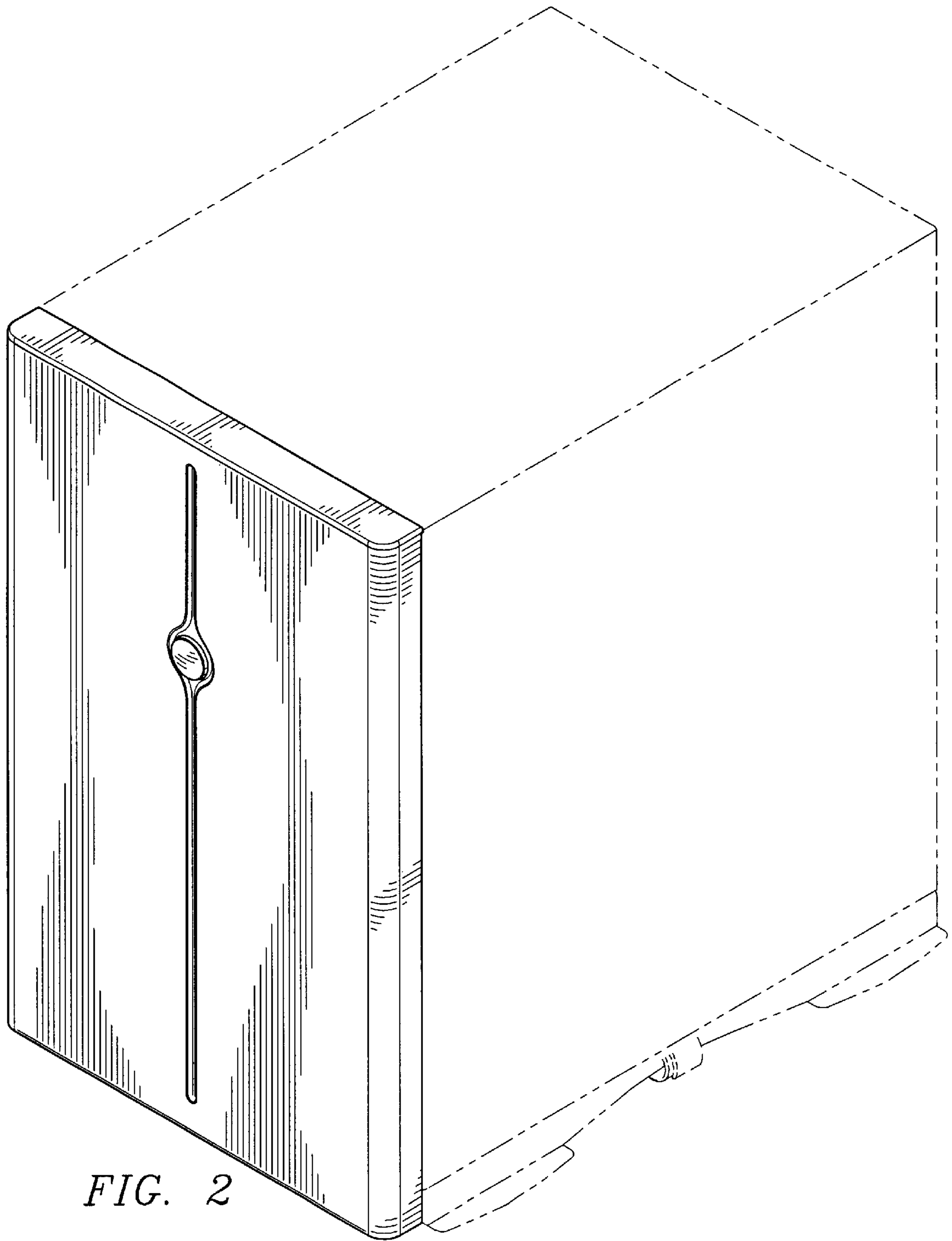


FIG. 2