



US00D48555S

(12) **United States Design Patent**
Yoneda

(10) **Patent No.:** **US D485,555 S**

(45) **Date of Patent:** **** Jan. 20, 2004**

(54) **COMPUTER**

(75) Inventor: **Naofumi Yoneda**, Tokyo (JP)

(73) Assignee: **Sony Corporation**, Tokyo (JP)

(**) Term: **14 Years**

(21) Appl. No.: **29/164,052**

(22) Filed: **Jul. 18, 2002**

(51) **LOC (7) Cl.** **14-02**

(52) **U.S. Cl.** **D14/323**

(58) **Field of Search** D14/315-327;
D18/1, 2, 7; 235/145 A, 145 R; 341/22,
23; 345/104, 156, 168, 169, 173; 361/680-686;
400/486, 489

(56) **References Cited**

U.S. PATENT DOCUMENTS

D382,547 S	8/1997	Soderburg	
D415,474 S	10/1999	Goto	D14/318
D417,204 S	* 11/1999	Liu et al.	D14/318
D417,658 S	12/1999	Goto	D14/318
D431,559 S	10/2000	Morooka	D14/318
D434,031 S	* 11/2000	Koike et al.	D14/318
6,205,021 B1	* 3/2001	Klein et al.	361/683

FOREIGN PATENT DOCUMENTS

JP	1119094 S	8/2001
JP	1122249 S	9/2001
JP	1145488 S	7/2002
JP	1128285 S	12/2002

OTHER PUBLICATIONS

Endo et al. "Think about Note Personal Computer," ASCII, vol. 24, No. 8, pp. 296 and 297 (Aug. 2000).

"The new laptops," Consumer Reports, vol. 65, No. 5, p. 12 (May 2002).

"hp omnibook xe3," PC Products Lineup, p. 10 (Jan. 2001).
Web Page "Sony Drive, Vaio notebook computer," <http://www.sony.co.jp/sd/products/Consmer/PCOM/PCG-QR1S/hard.html>, 7 sheets, Sony Marketing (Japan) Inc., (Oct. 2001).

* cited by examiner

Primary Examiner—Freda Nunn

(74) *Attorney, Agent, or Firm*—Rader, Fishman & Grauer PLLC

(57) **CLAIM**

The ornamental design for a computer, as shown and described.

DESCRIPTION

FIG. 1 is a perspective view of a computer showing my new design;

FIG. 2 is a front elevational view thereof wherein the screen portion is in the fully open position;

FIG. 3 is a rear elevational view thereof;

FIG. 4 is a left side elevational view thereof;

FIG. 5 is a right side elevational view thereof;

FIG. 6 is a top plan view thereof; and,

FIG. 7 is a bottom plan view thereof.

Portions in broken lines are for illustrative purposes only and form no part of claimed design.

1 Claim, 4 Drawing Sheets

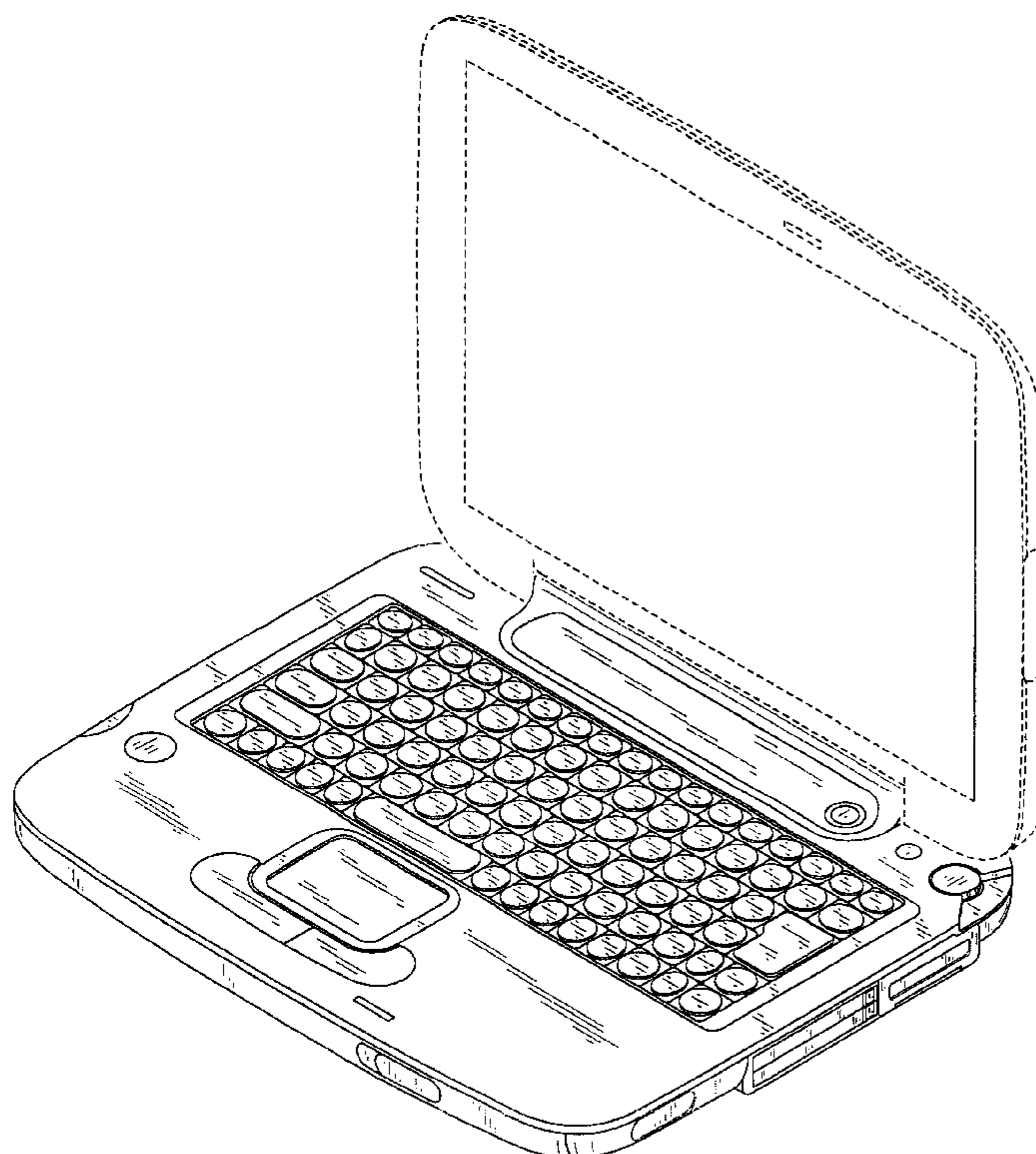


FIG. 1

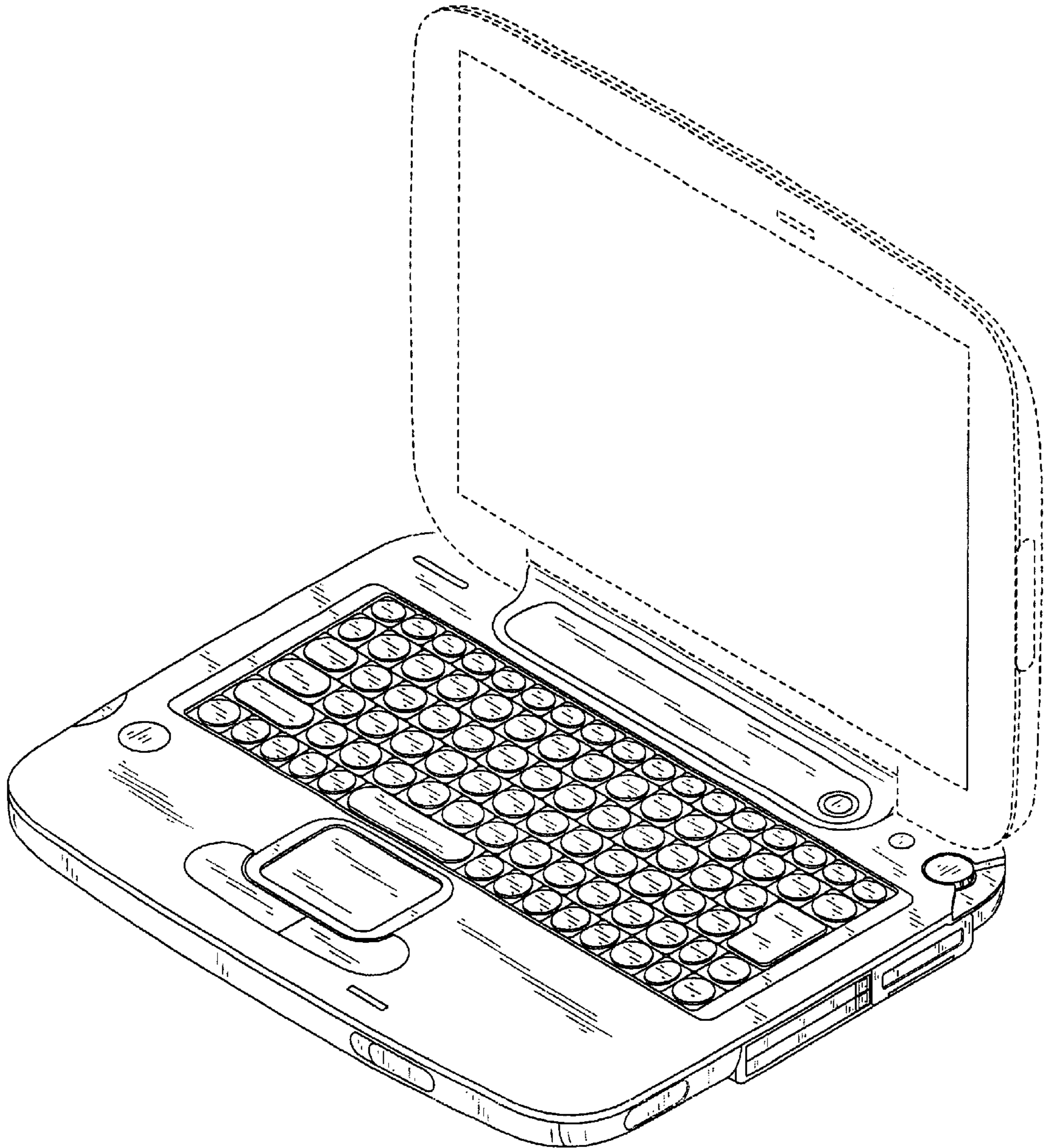


FIG.3

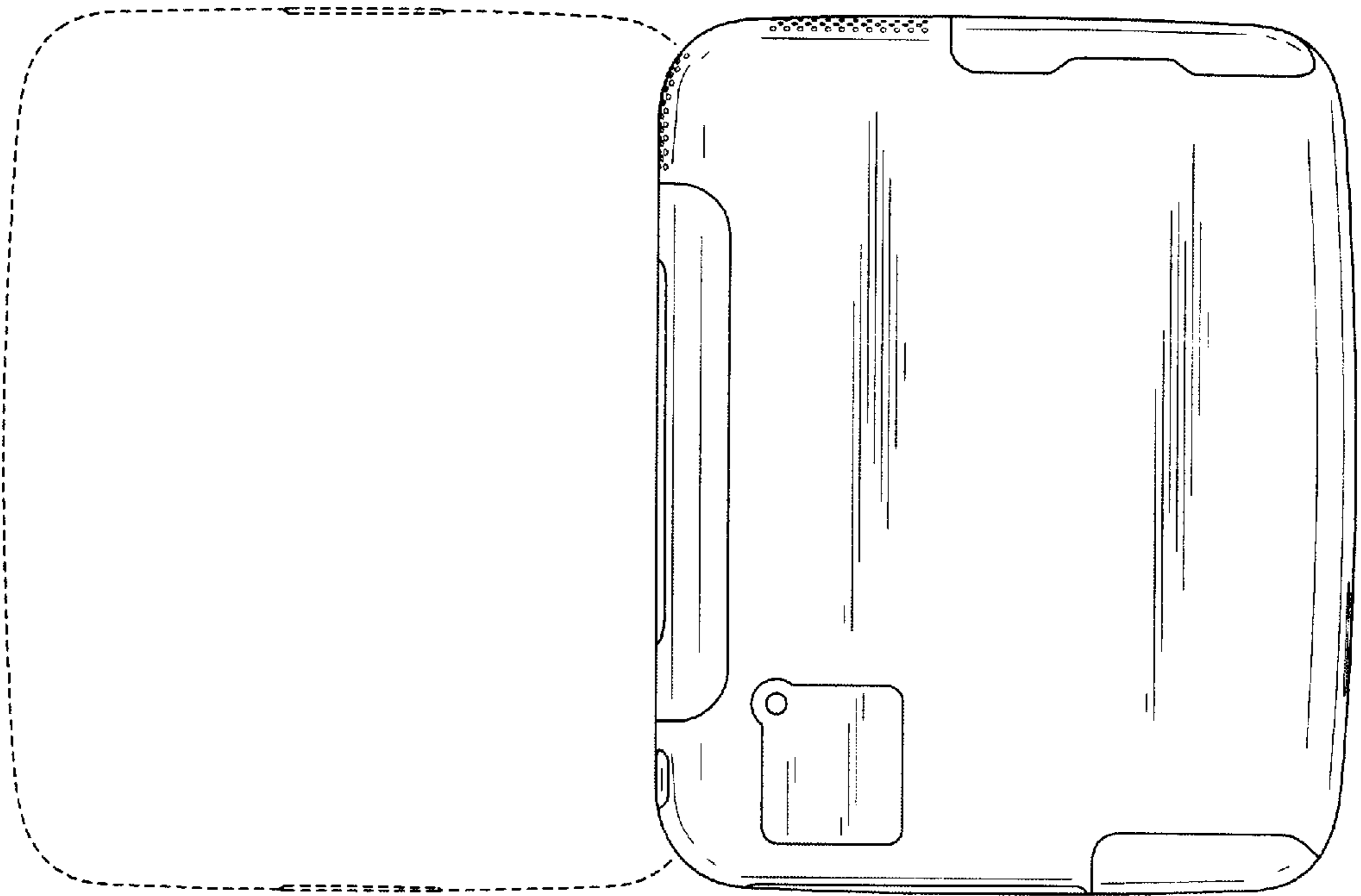


FIG.2

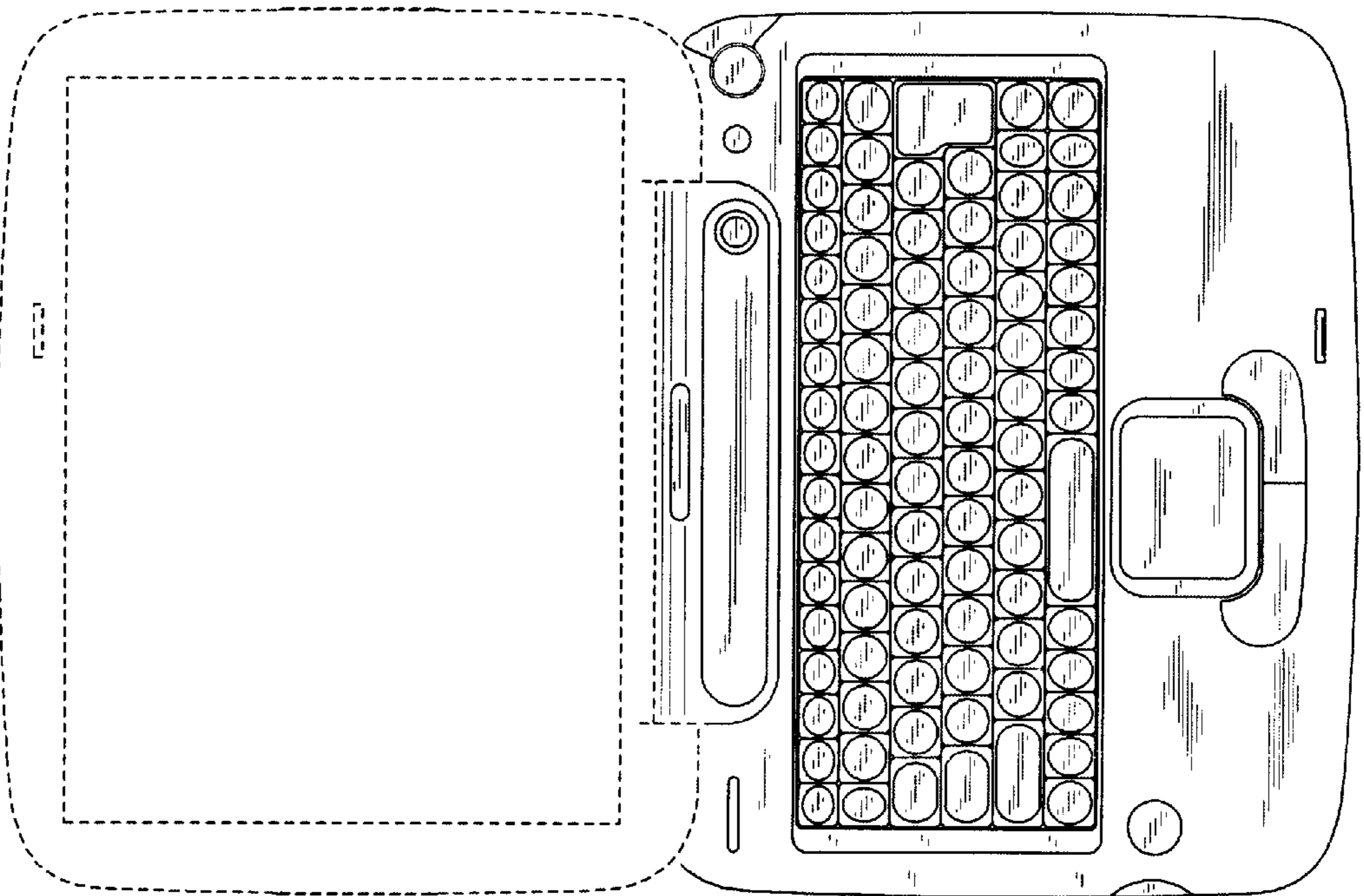


FIG.4

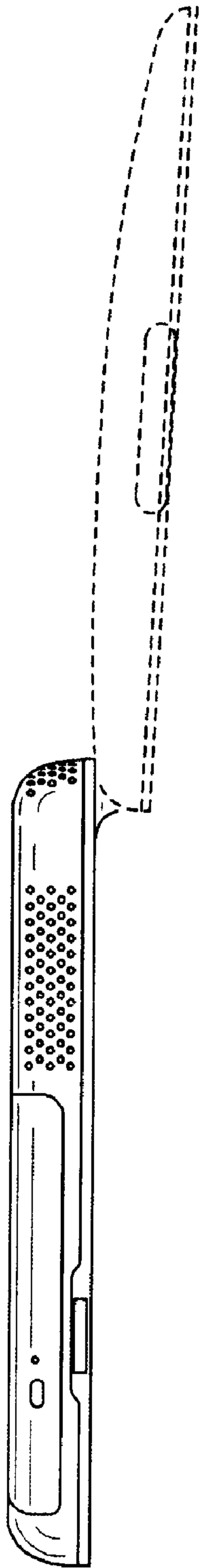


FIG.5

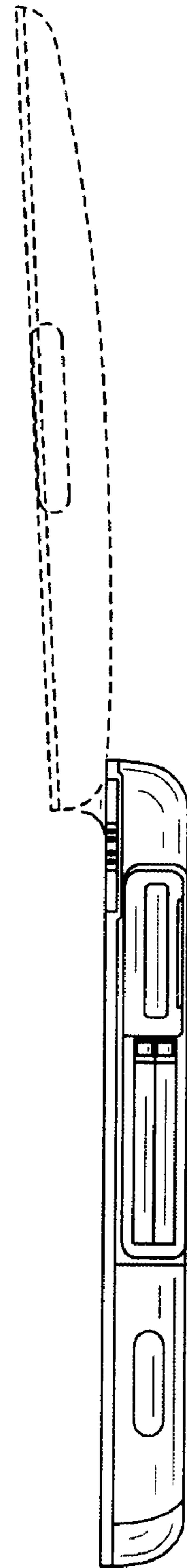


FIG.6

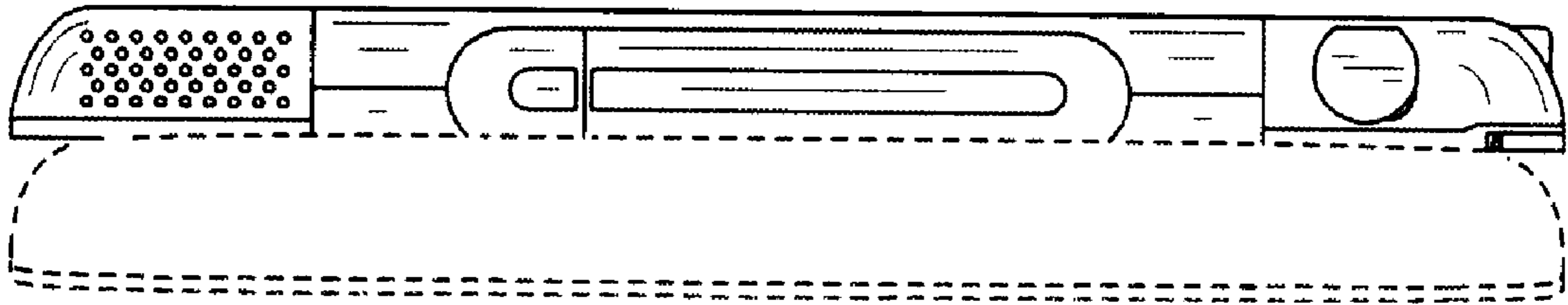


FIG.7

