



US00D485539S

(12) **United States Design Patent**  
**Goto et al.**

(10) **Patent No.: US D485,539 S**

(45) **Date of Patent: \*\* Jan. 20, 2004**

(54) **REAR PROJECTION TELEVISION**

D457,507 S \* 5/2002 Lim et al. .... D14/133  
D477,292 S \* 7/2003 Inoue et al. .... D14/129

(75) Inventors: **Masaaki Goto, Saijo (JP); Kazuhiko Maeda, Saijo (JP)**

**FOREIGN PATENT DOCUMENTS**

(73) Assignee: **Matsushita Electric Industrial Co., Ltd., Osaka (JP)**

JP D1098986 1/2001  
JP D1098986/1 10/2001

(\*\*) Term: **14 Years**

**OTHER PUBLICATIONS**

(21) Appl. No.: **29/178,228**

Copy of Catalog of Rear Projection Television <HD800 & DX800> by Sony in Sep. 2002.

(22) Filed: **Mar. 21, 2003**

Copy of Catalog of Rear Projection Television <AV-D50LA2> by JVC/Victor in Sep. 2002.

(30) **Foreign Application Priority Data**

Jan. 23, 2003 (JP) ..... 2003-001472

\* cited by examiner

(51) **LOC (7) Cl. .... 14-03**

*Primary Examiner*—Raphael Barkai

(52) **U.S. Cl. .... D14/128; D14/129**

(74) *Attorney, Agent, or Firm*—Brinks Hofer Gilson & Lione

(58) **Field of Search** ..... D14/125–134,  
D14/239, 371, 374–382; 312/7.2; 348/787,  
789, 836, 838, 180, 184, 325, 739; 353/47,  
74; 345/104, 133, 156, 168, 87, 173

(57) **CLAIM**

(56) **References Cited**

The ornamental design for a rear projection television, as shown and described.

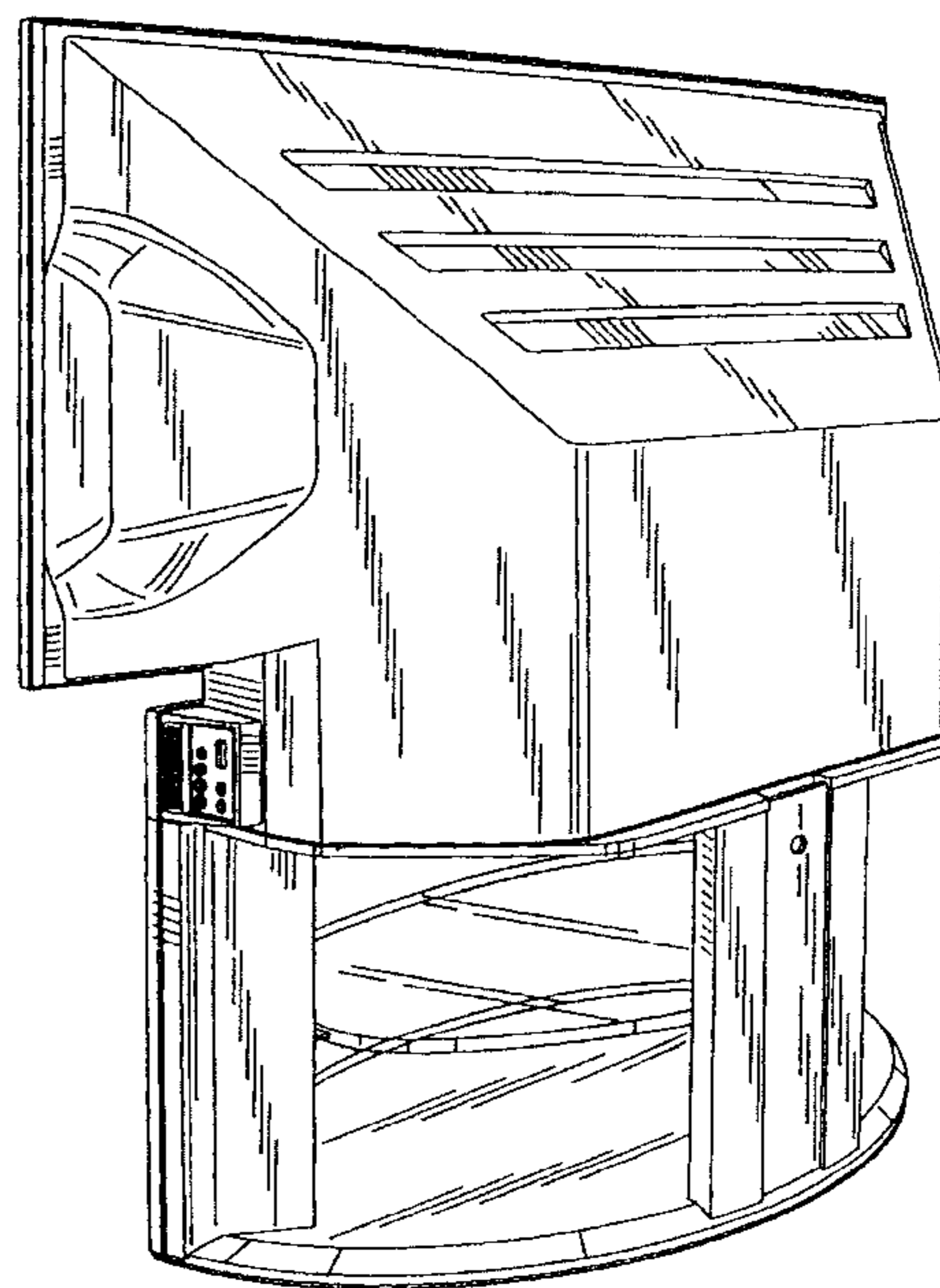
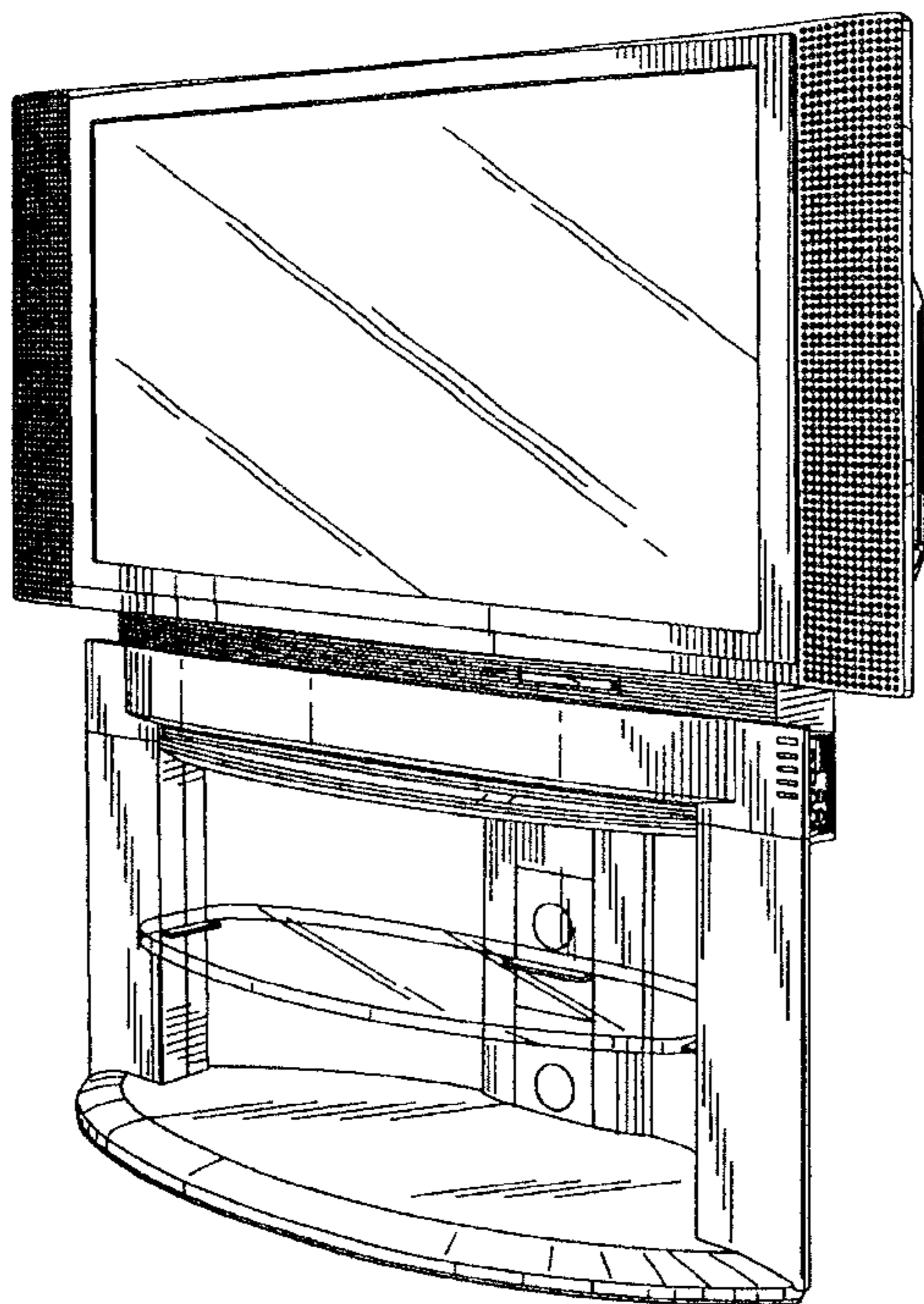
**U.S. PATENT DOCUMENTS**

**DESCRIPTION**

D308,378 S \* 6/1990 Shinoda et al. .... D14/133  
D342,507 S 12/1993 Bourgerie  
D368,087 S \* 3/1996 Gioscia ..... D14/128  
D394,057 S \* 5/1998 Bourgerie ..... D14/128  
D400,201 S \* 10/1998 Tsuge et al. .... D14/133  
D413,116 S \* 8/1999 Ishikawa ..... D14/128  
D418,832 S \* 1/2000 Tsuge ..... D14/128  
D431,232 S \* 9/2000 Yokoyama et al. .... D14/128  
D454,845 S \* 3/2002 Niitsu ..... D14/126

FIG. 1 is a front perspective view of a rear projection television of the present invention;  
FIG. 2 is a rear perspective view thereof;  
FIG. 3 is a top view thereof;  
FIG. 4 is a front view thereof;  
FIG. 5 is a bottom view thereof;  
FIG. 6 is a rear view thereof;  
FIG. 7 is a first side view thereof; and,  
FIG. 8 is a second side view thereof.

**1 Claim, 5 Drawing Sheets**



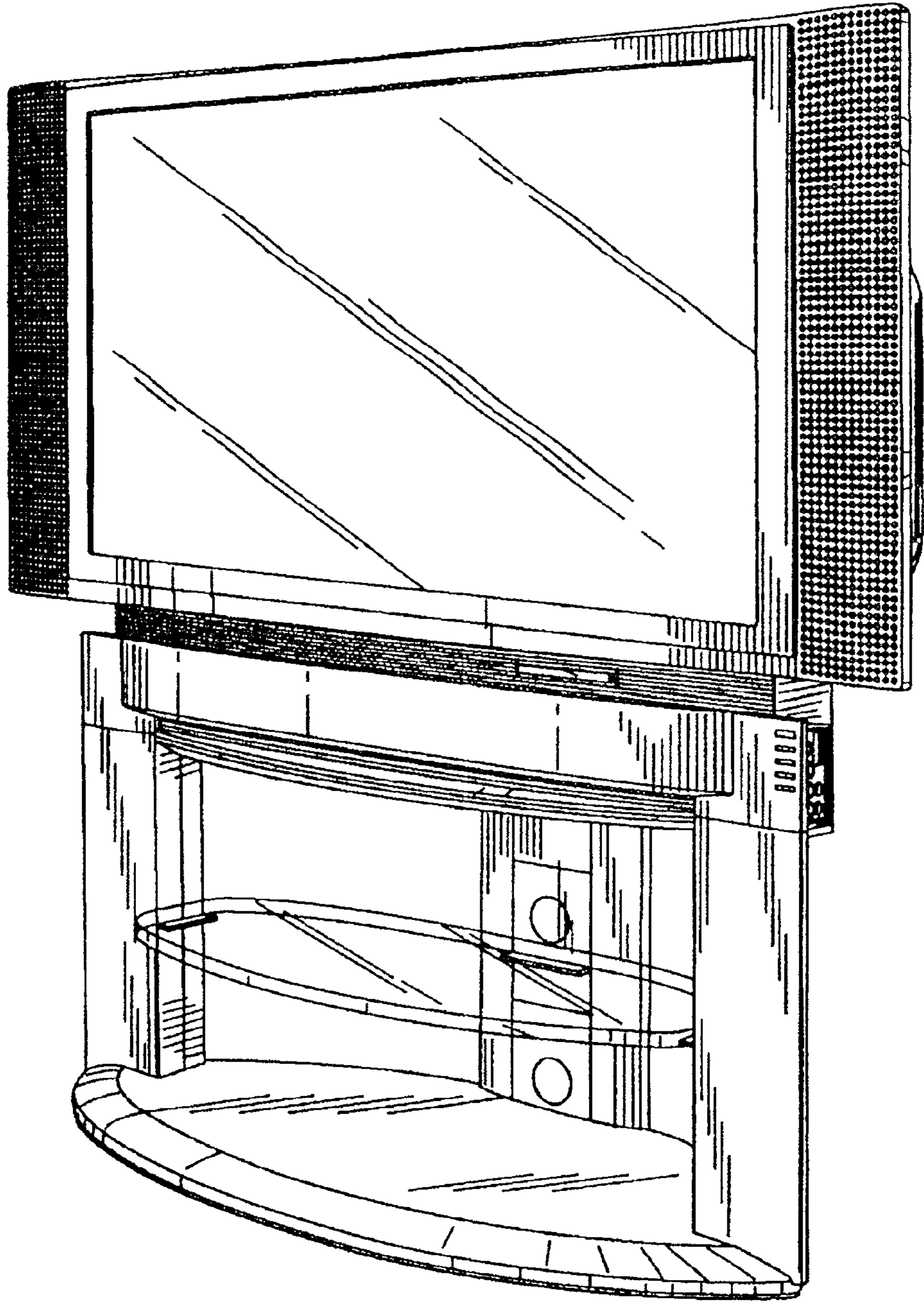


FIG. 1

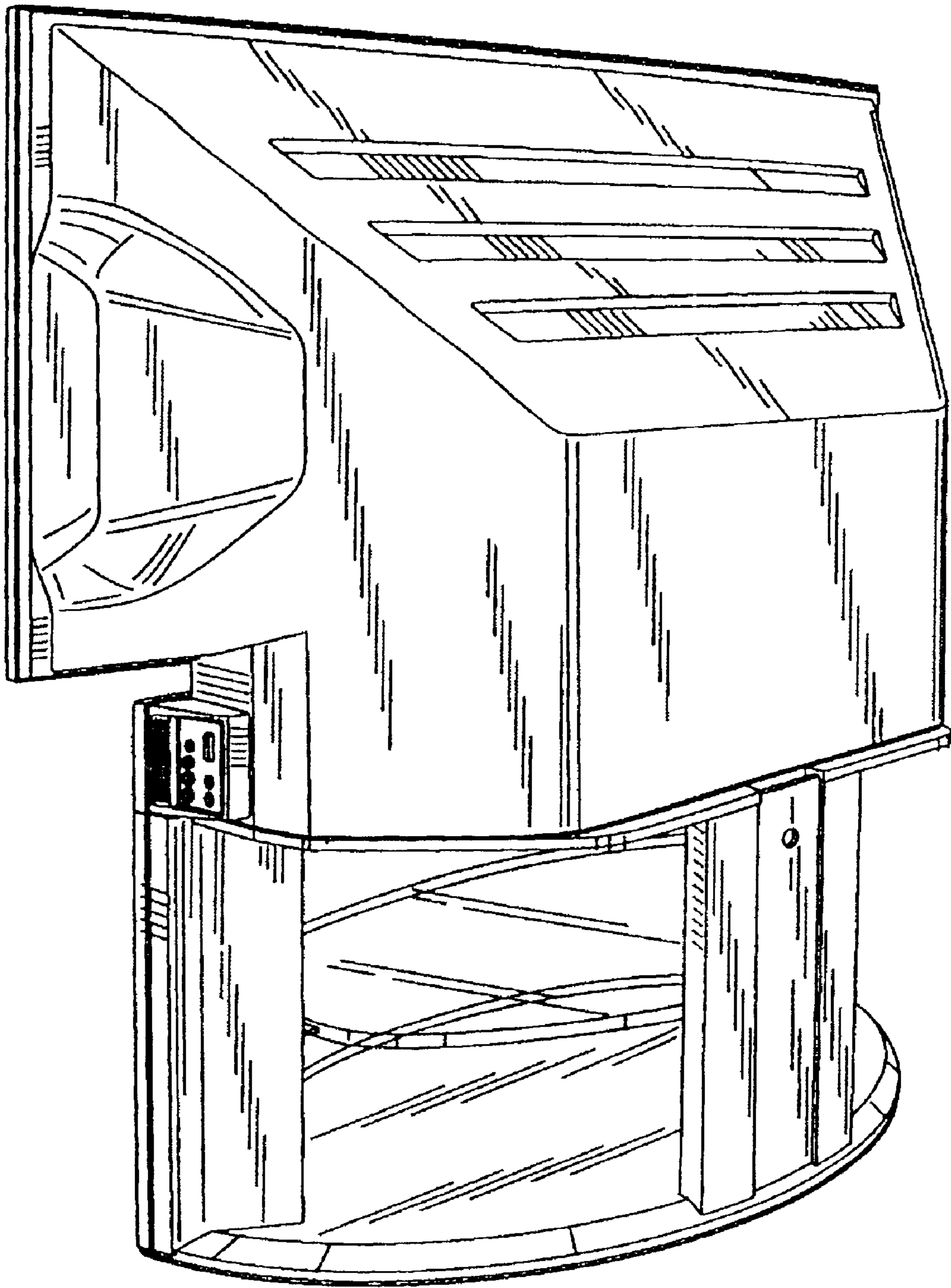


FIG. 2

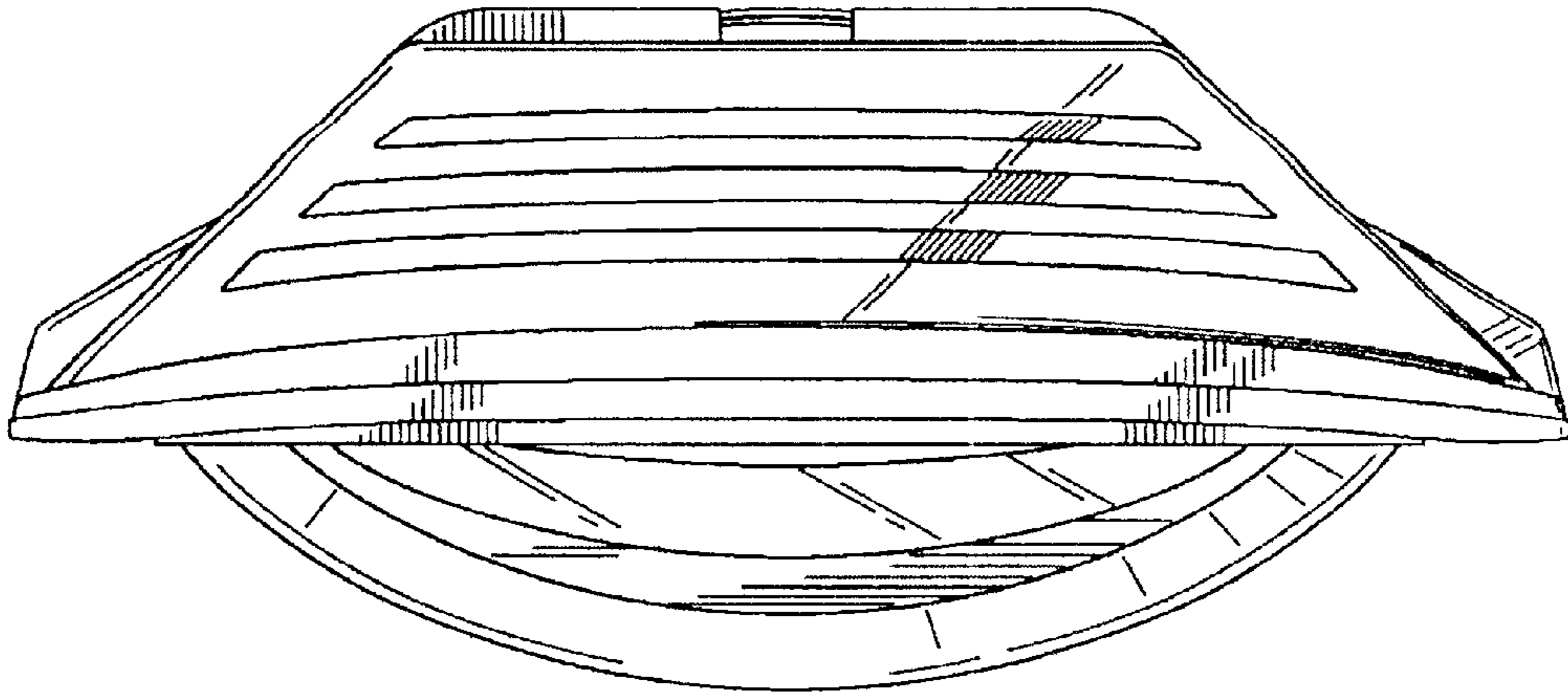


FIG. 3

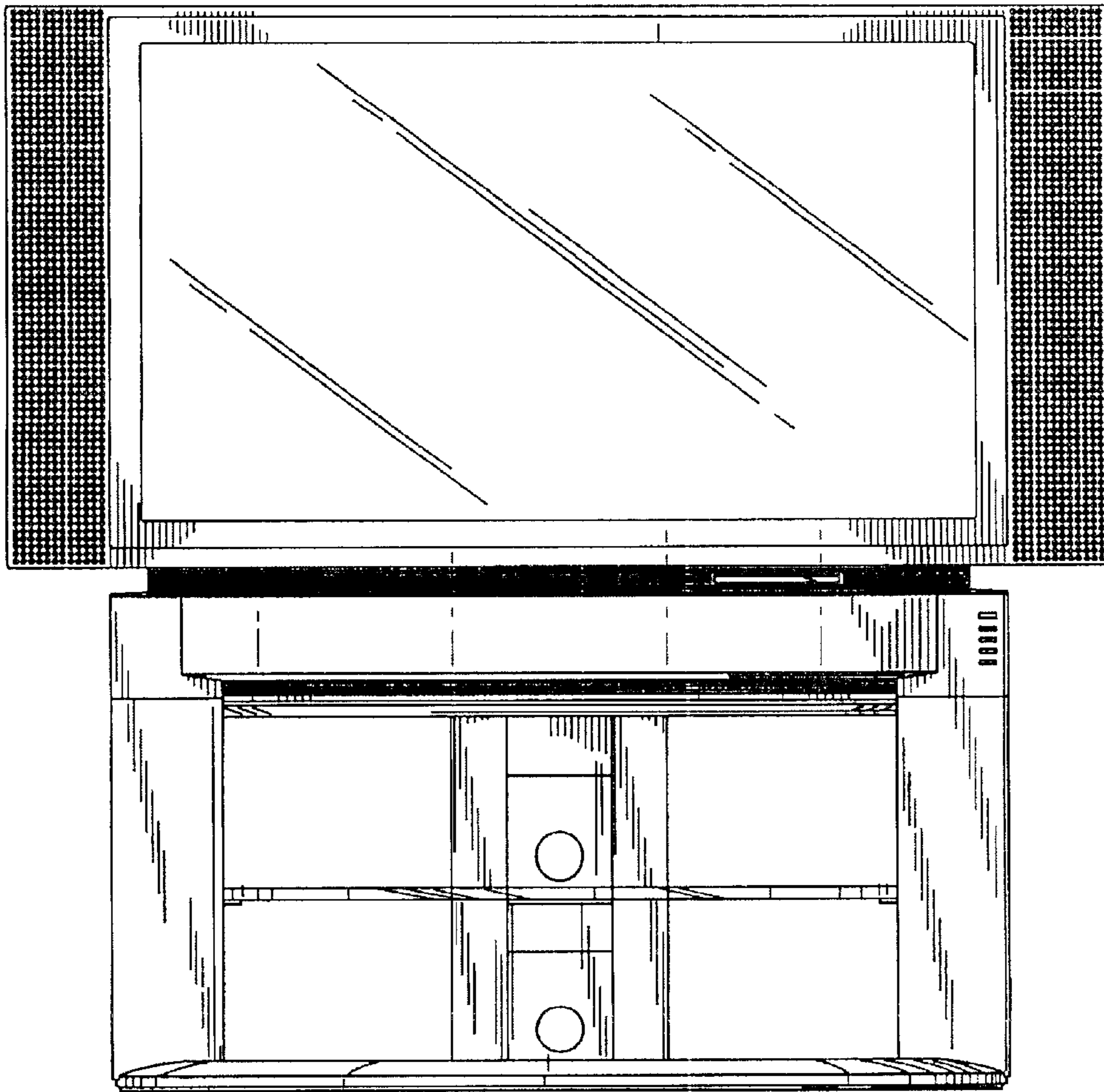


FIG. 4

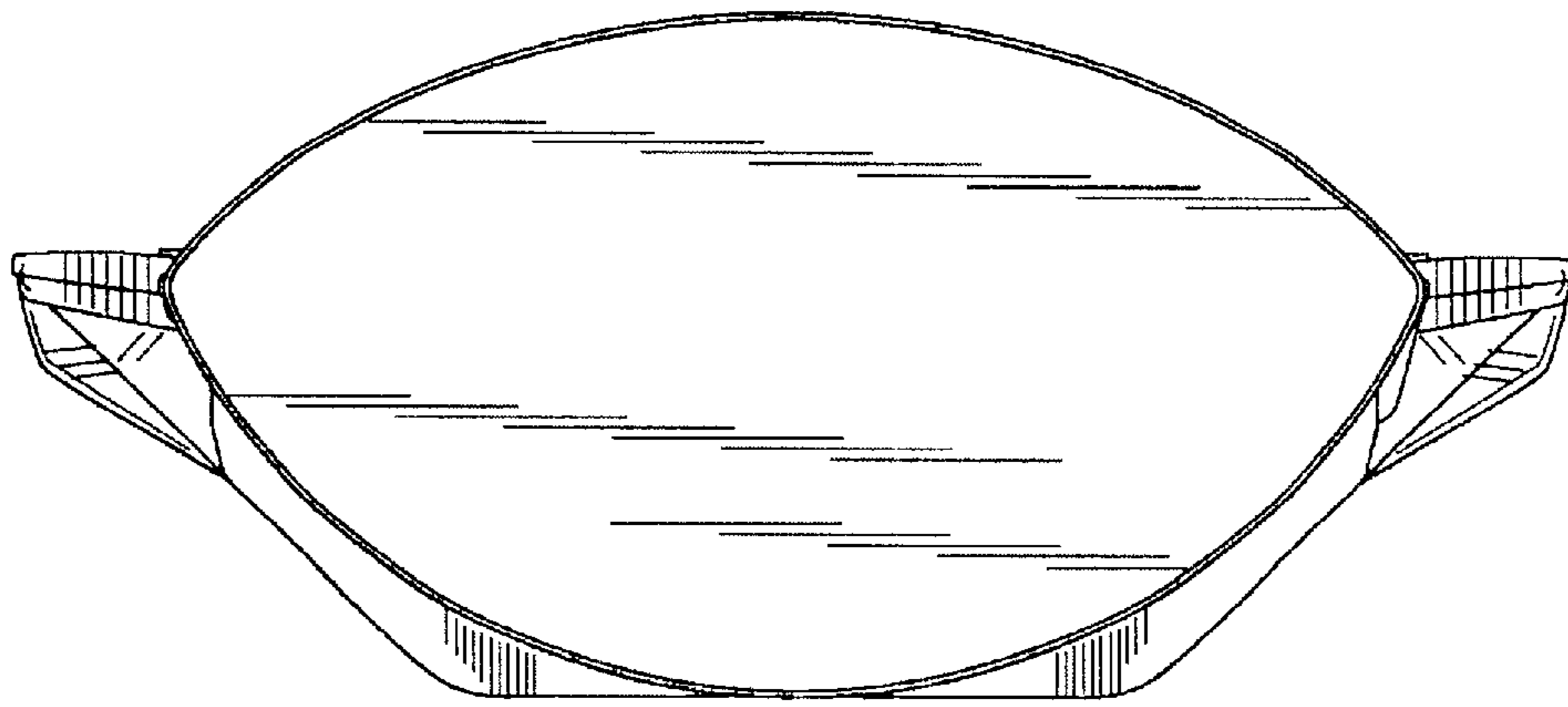


FIG. 5

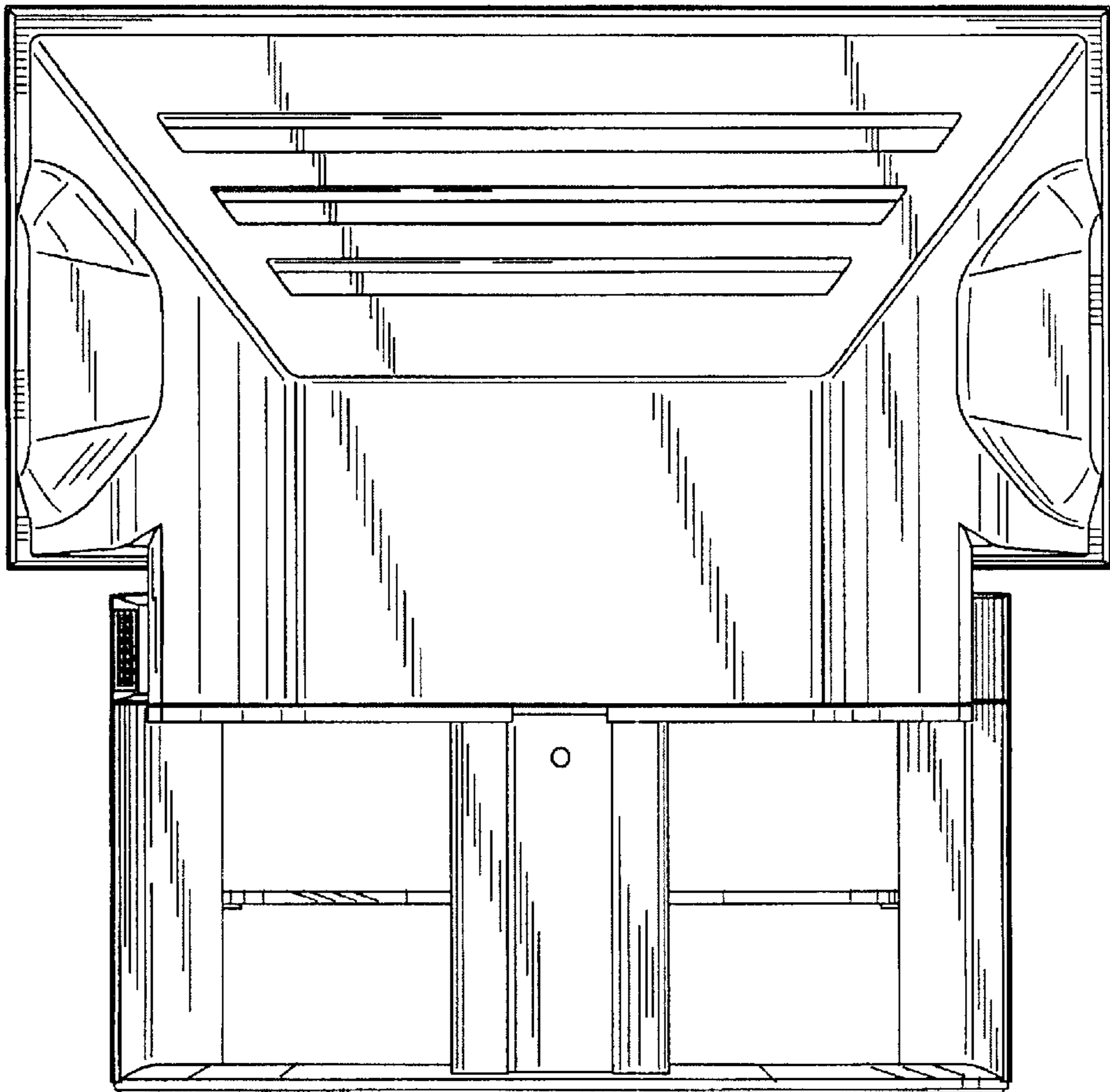


FIG. 6

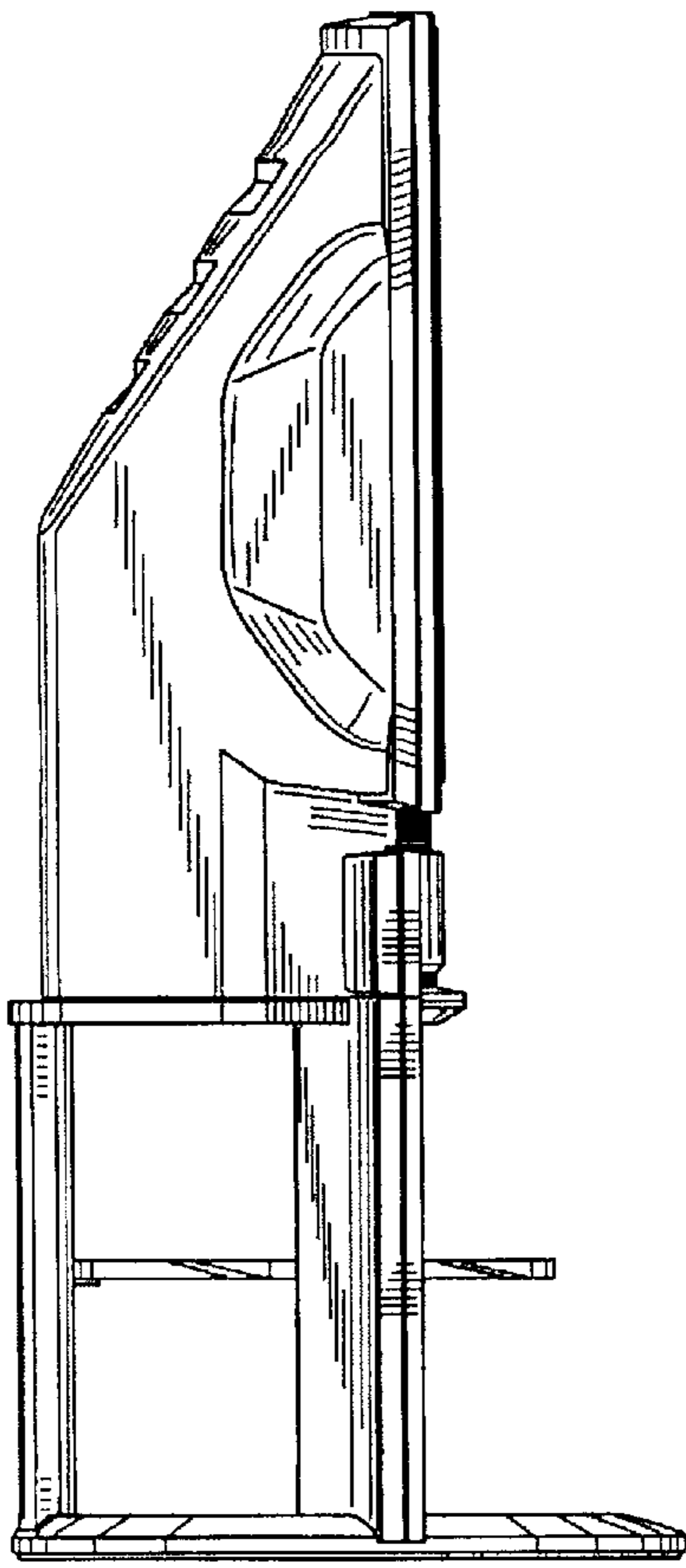


FIG. 7

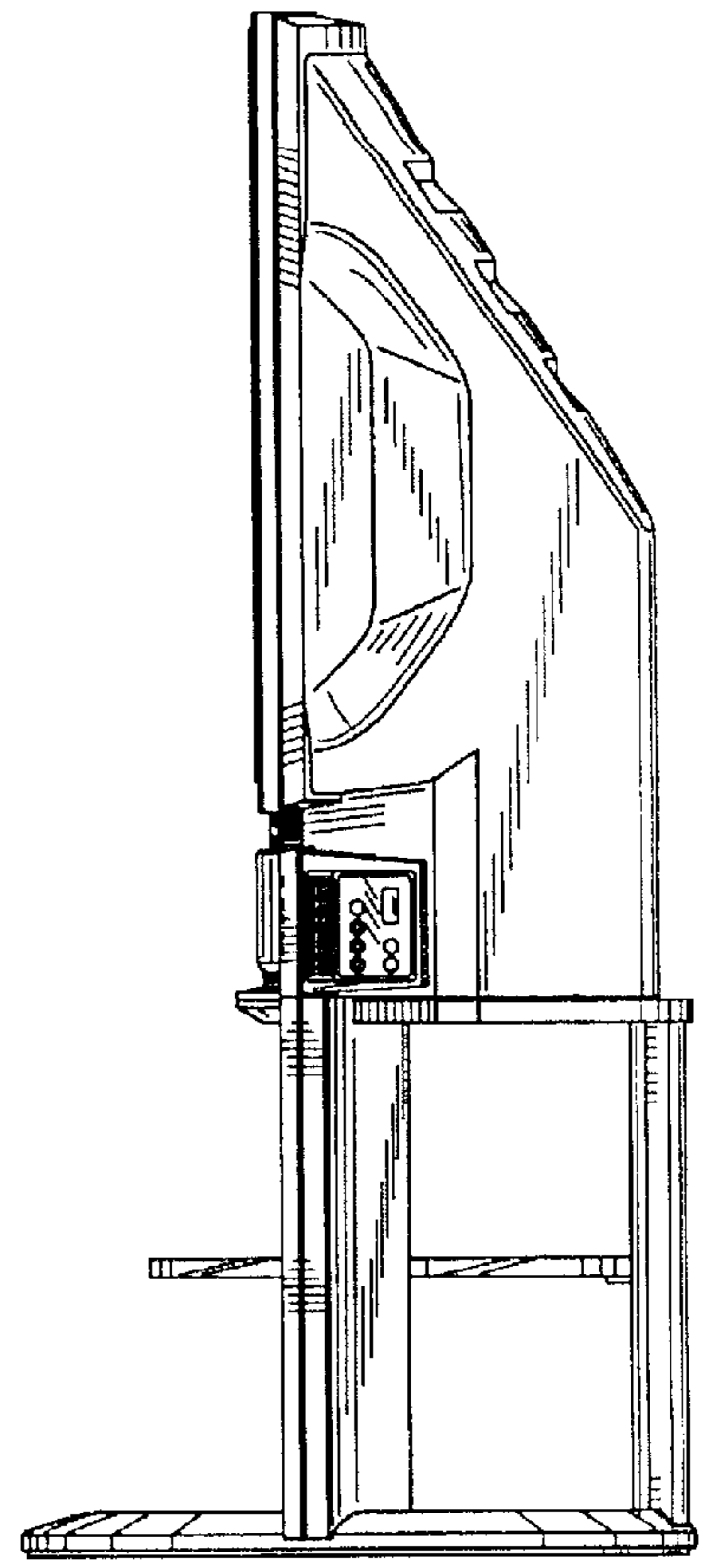


FIG. 8