



US00D485533S

(12) **United States Design Patent**
Lin et al.

(10) **Patent No.:** **US D485,533 S**

(45) **Date of Patent:** **** Jan. 20, 2004**

(54) **HYBRID CONNECTOR ASSEMBLY**

6,398,577 B1 * 6/2002 Simmel et al. 439/357
6,485,338 B1 * 11/2002 Wu 439/495 X

(75) Inventors: **San-Yiou Lin**, Taipei (TW); **Jin-Lin Yang**, Taipei (TW)

* cited by examiner

(73) Assignee: **Advanced Connectek, Inc.**, Taipei (TW)

Primary Examiner—Joel Sincavage
(74) *Attorney, Agent, or Firm*—Johnson, Lin & Associates; Chauncey B. Johnson, Esq.

(**) Term: **14 Years**

(57) **CLAIM**

(21) Appl. No.: **29/170,675**

The ornamental design for a hybrid connector assembly, as shown and described.

(22) Filed: **Nov. 12, 2002**

(30) **Foreign Application Priority Data**

DESCRIPTION

Jul. 25, 2002 (TW) 091303933

FIG. 1 is a front and lower right perspective view of a hybrid connector assembly showing our new design;

(51) **LOC (7) Cl.** **13-03**

FIG. 2 is a front view of the hybrid connector assembly shown in FIG. 1;

(52) **U.S. Cl.** **D13/147**

(58) **Field of Search** D13/147; 439/62, 439/260, 329, 395, 495, 422, 492, 499, 346, 353, 357, 569

FIG. 3 is a rear view of the hybrid connector assembly shown in FIG. 1. The broken lines in FIG. 3 are included for the purpose of illustrating portions of the hybrid connector assembly that form no part of the claimed design.

(56) **References Cited**

FIG. 4 is a left side view of the hybrid connector assembly shown in FIG. 1;

U.S. PATENT DOCUMENTS

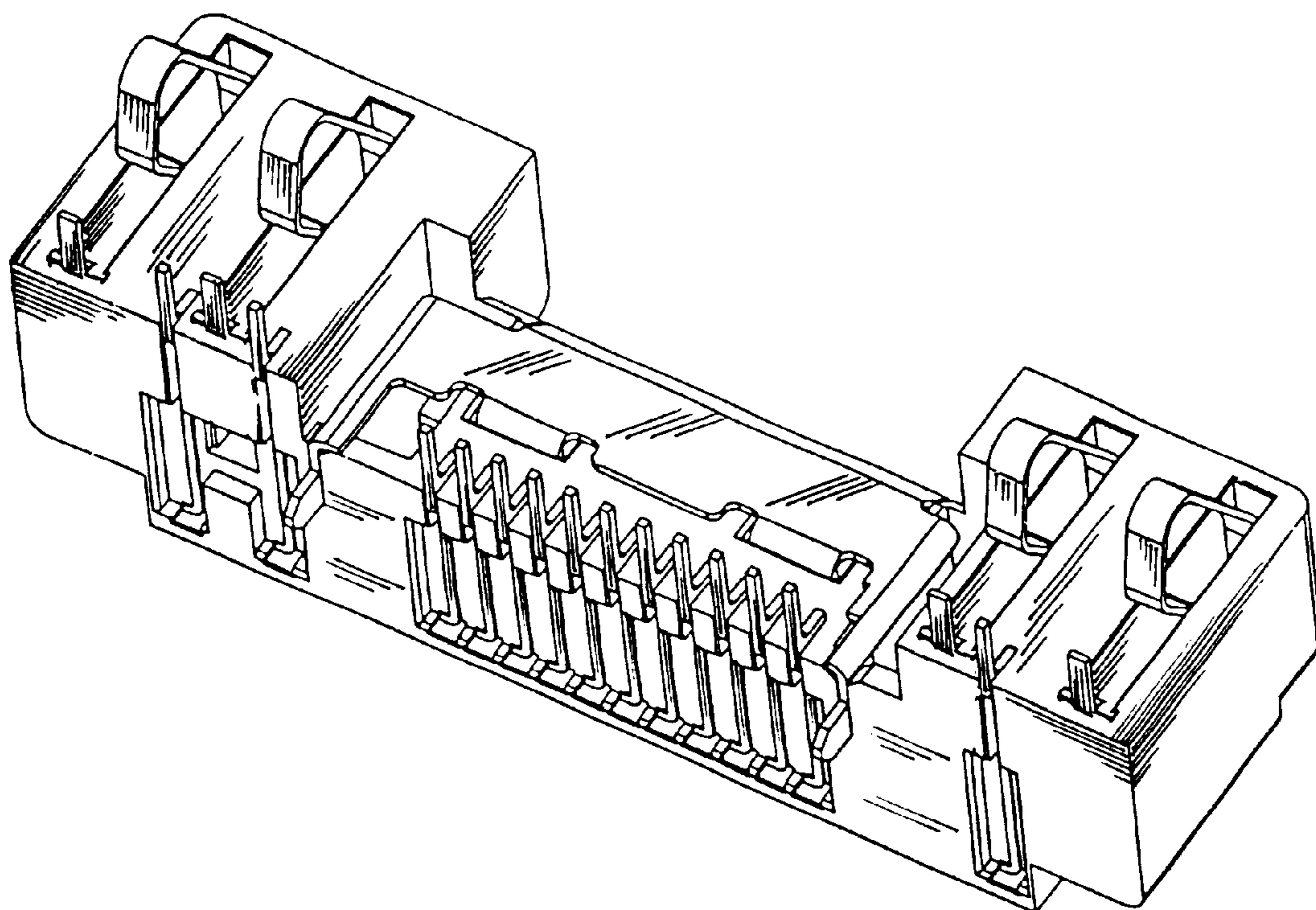
- 5,782,646 A * 7/1998 Broadfield et al. 439/346
- D416,229 S * 11/1999 Narumo et al. D13/147
- D416,538 S * 11/1999 Lok D13/147
- 6,071,141 A * 6/2000 Semmeling et al. 439/353
- D434,007 S * 11/2000 Feldt D13/147
- 6,231,390 B1 * 5/2001 Chang 439/607
- D453,145 S * 1/2002 Sato et al. D13/147
- 6,354,870 B1 * 3/2002 Timmerman 439/569

FIG. 5 is a right side view of the hybrid connector assembly shown in FIG. 1;

FIG. 6 is a top view of the hybrid connector assembly shown in FIG. 1; and,

FIG. 7 is a bottom view of the hybrid connector assembly shown in FIG. 1.

1 Claim, 4 Drawing Sheets



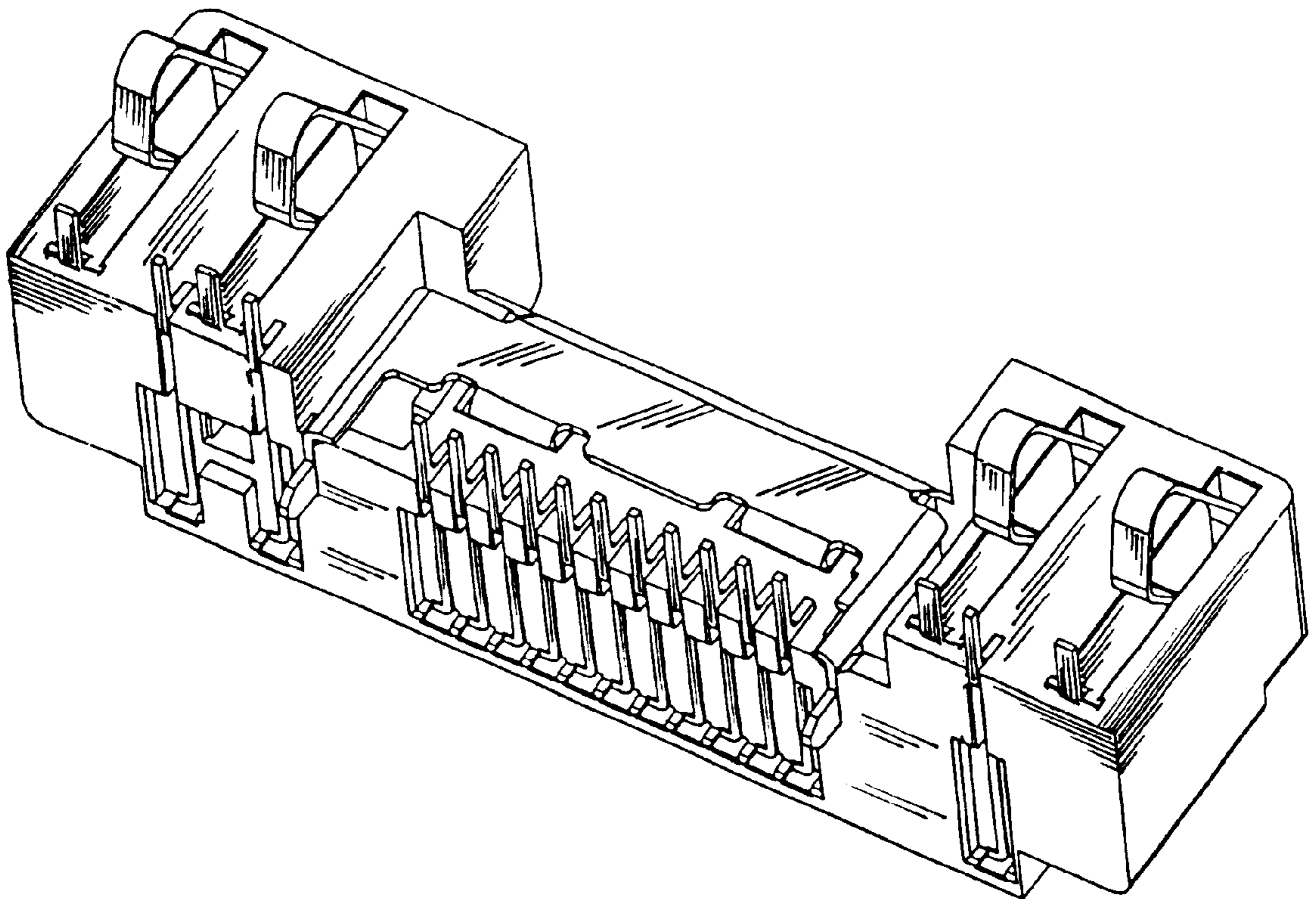


FIG. 1

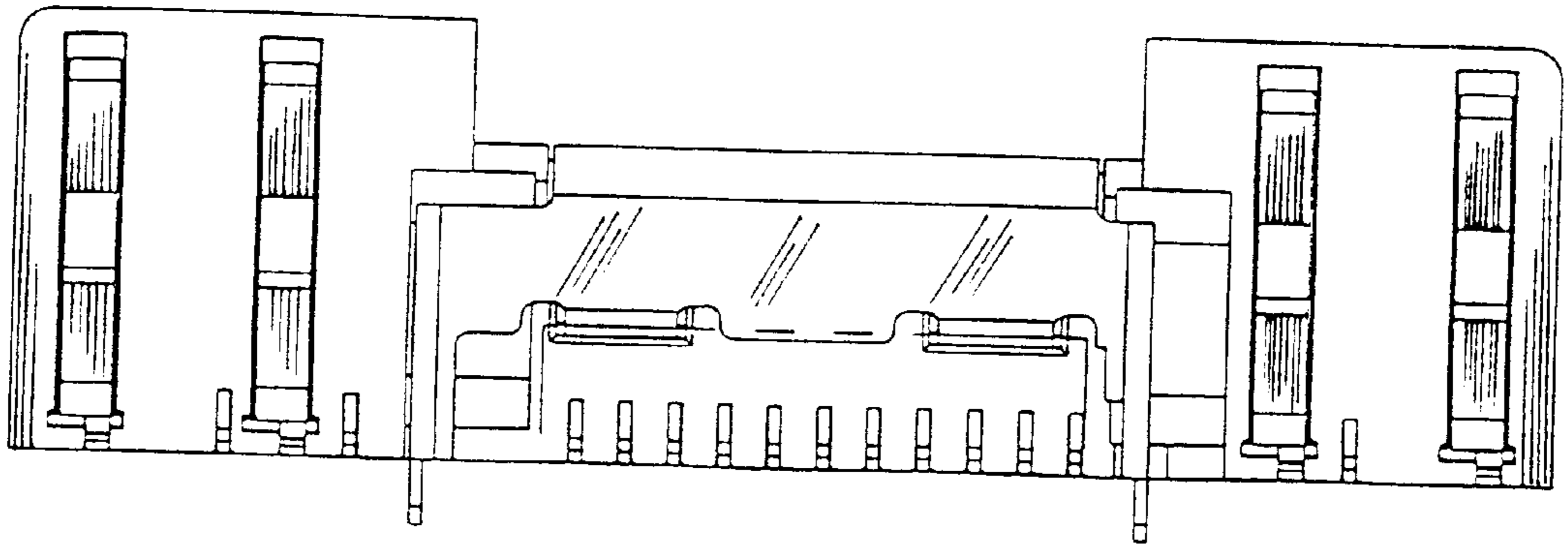


FIG. 2

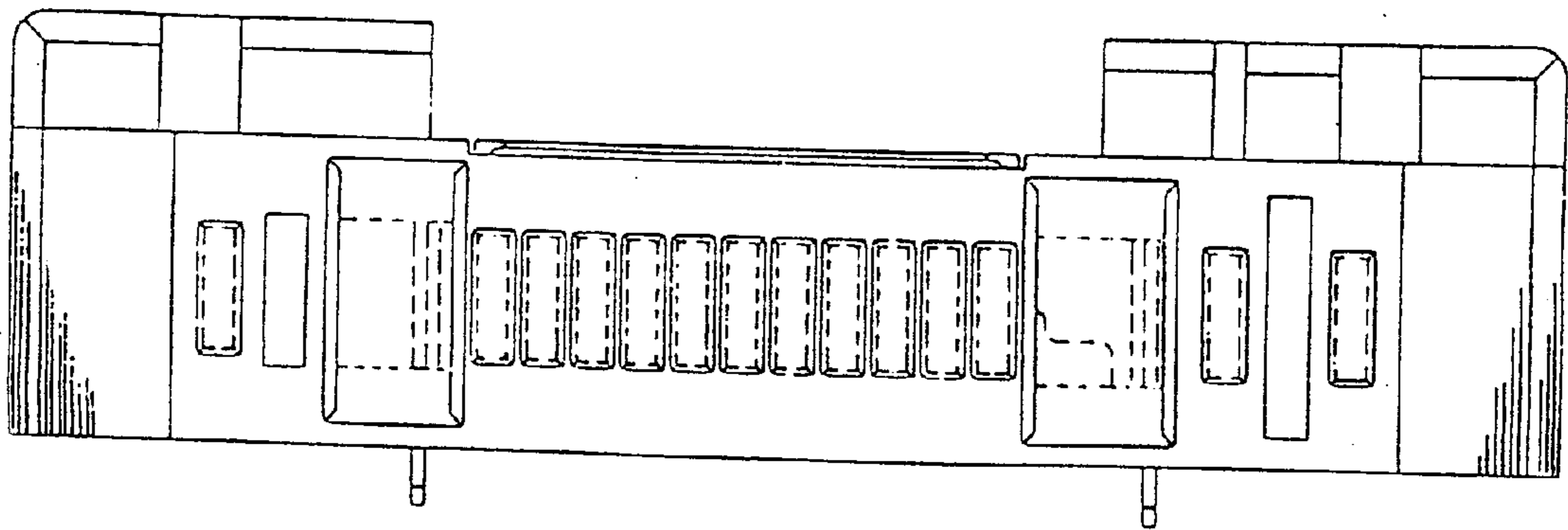


FIG. 3

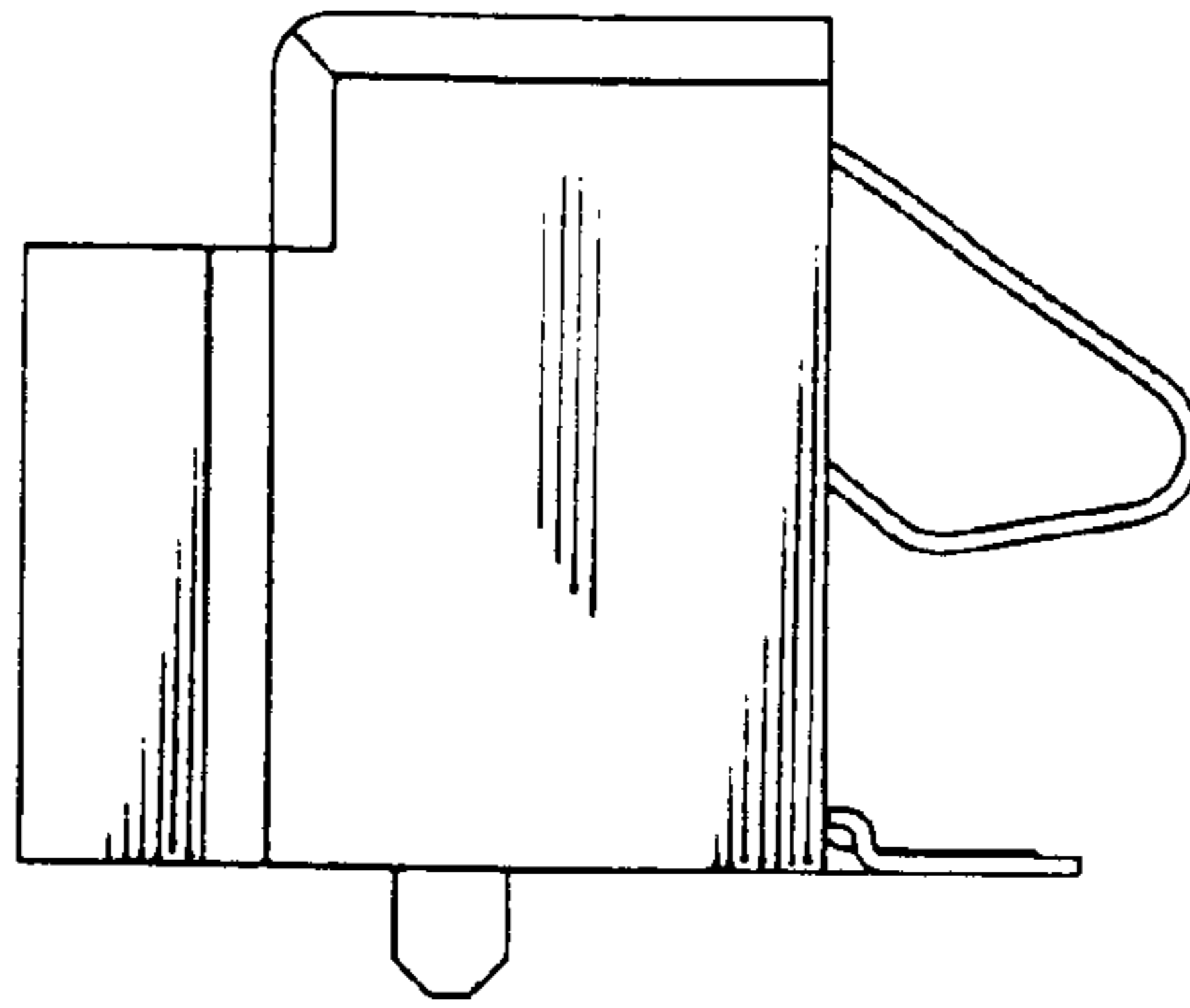


FIG. 4

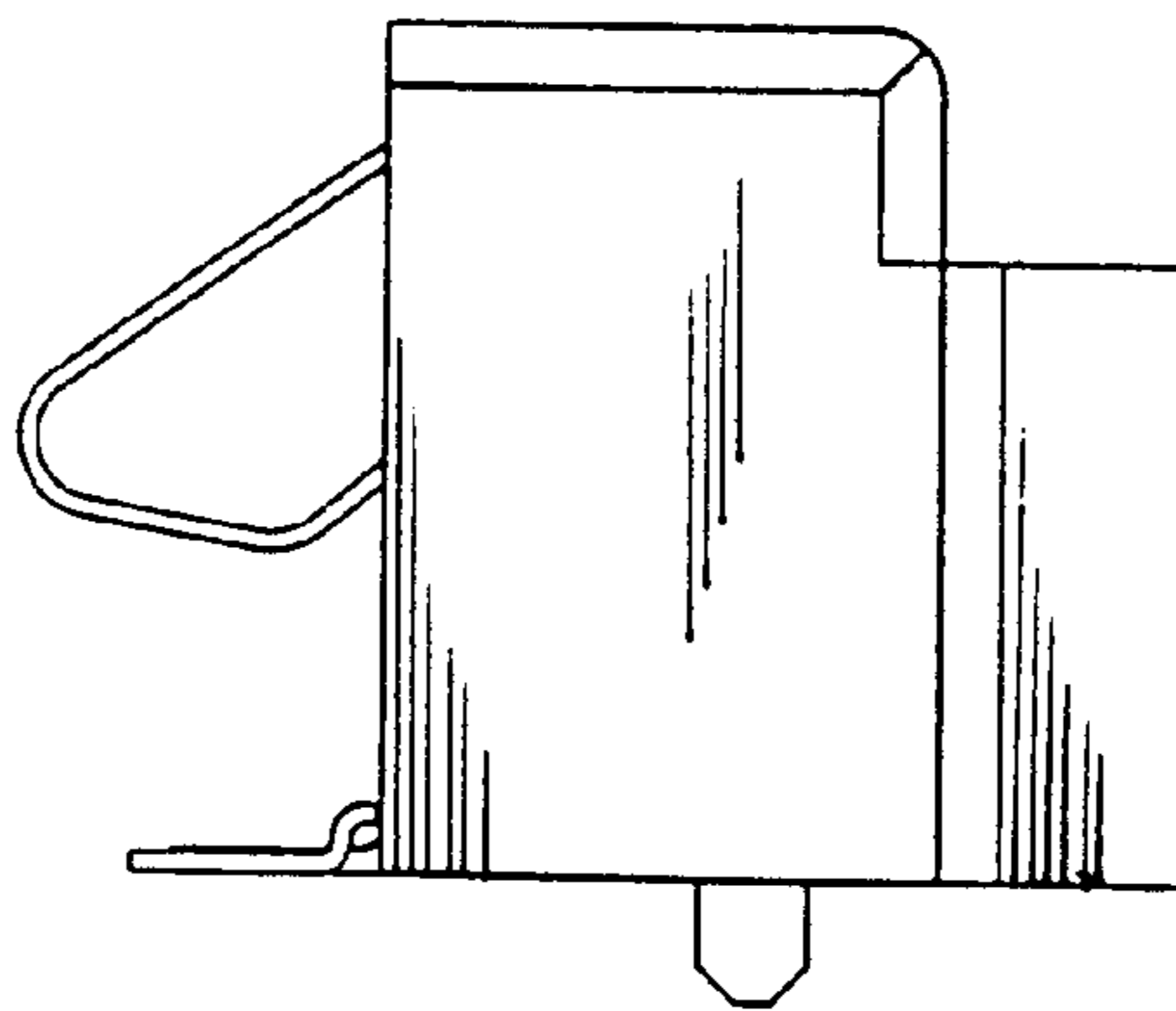


FIG. 5

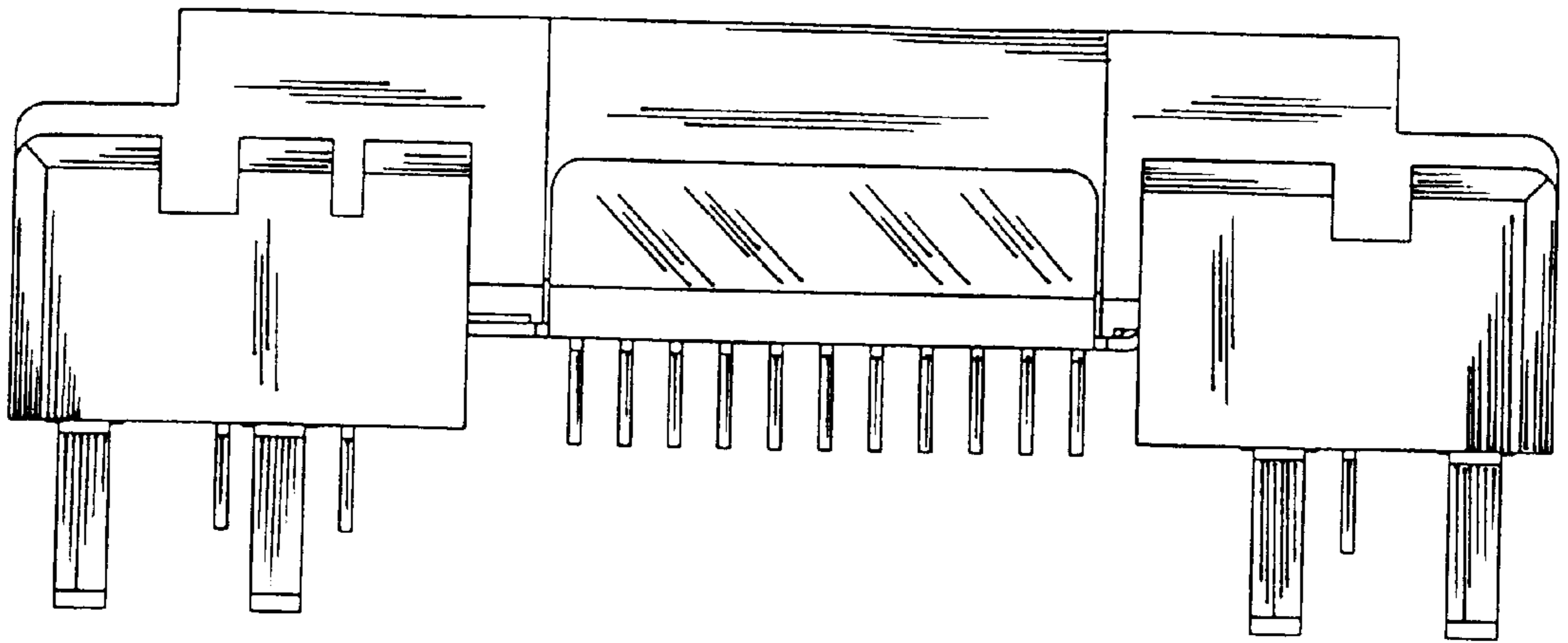


FIG. 6

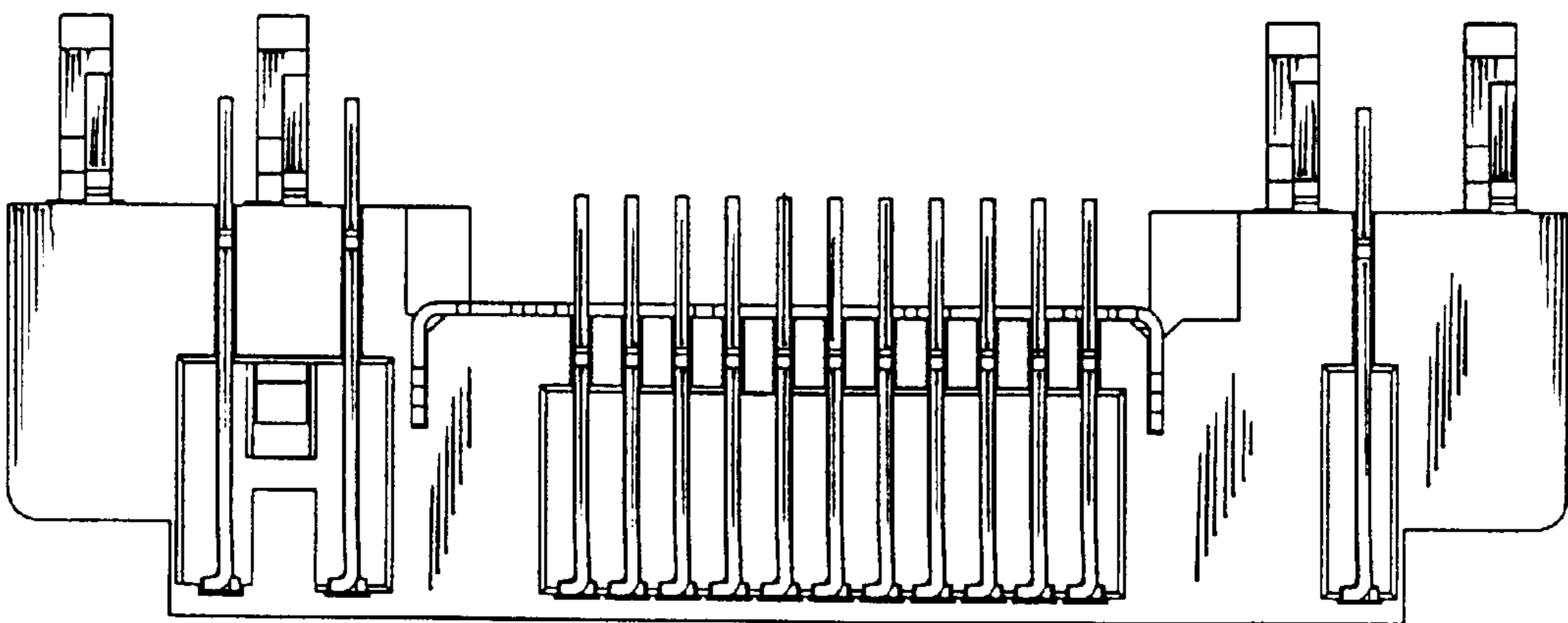


FIG. 7