



US00D485529S

(12) **United States Design Patent**
Schoenberger

(10) **Patent No.:** **US D485,529 S**

(45) **Date of Patent:** **** Jan. 20, 2004**

(54) **CONTOURED CARGO TRAY**

(75) **Inventor:** **James Schoenberger**, Sun Prairie, WI (US)

(73) **Assignee:** **Kolpin Outdoors, Inc.**, Fox Lake, WI (US)

(**) **Term:** **14 Years**

(21) **Appl. No.:** **29/170,015**

(22) **Filed:** **Oct. 30, 2002**

(51) **LOC (7) Cl.** **12-16**

(52) **U.S. Cl.** **D12/419**

(58) **Field of Search** D12/415, 419, D12/423-426.1; D7/505, 553.1-553.5, 601-602, 619, 701, 707, 708; D6/406.3, 406.6; 248/311.1-311.2; 296/37.1, 37.6-37.8, 37.13-37.16; 108/43-46, 132, 147, 157; 224/539, 544, 275, 926

(56) **References Cited**

U.S. PATENT DOCUMENTS

D168,480 S	*	12/1952	Shaeffer	D12/419
D352,213 S	*	11/1994	Keven	D7/701
D353,082 S	*	12/1994	Keven	D7/701
D359,425 S	*	6/1995	Meeker et al.	D7/708
5,620,123 A		4/1997	Brisbois		
5,634,408 A		6/1997	Jarkowski		
D388,050 S	*	12/1997	Diem	D12/419
D396,844 S	*	8/1998	Smith	D12/419
D397,278 S	*	8/1998	Wang	D7/701
D413,563 S	*	9/1999	Gravenstreter	D12/419
6,039,378 A		3/2000	Bailey		
D425,012 S	*	5/2000	Bergin	D12/419
D428,383 S	*	7/2000	Ozark et al.	D12/419

D435,196 S	*	12/2000	Gregor et al.	D7/552.1
D444,683 S	*	7/2001	Corrion	D7/701
D456,760 S	*	5/2002	Hoy	D12/419
6,398,283 B1		6/2002	Knudtson et al.		

OTHER PUBLICATIONS

2002 Kolpin Catalog.
2001 Kolpin Catalog.
2000 Kolpin Catalog.
1999 Kolpin Catalog.

* cited by examiner

Primary Examiner—Stacia Cadmus

(74) *Attorney, Agent, or Firm*—Brian G. Gilpin; Godfrey & Kahn, S.C.

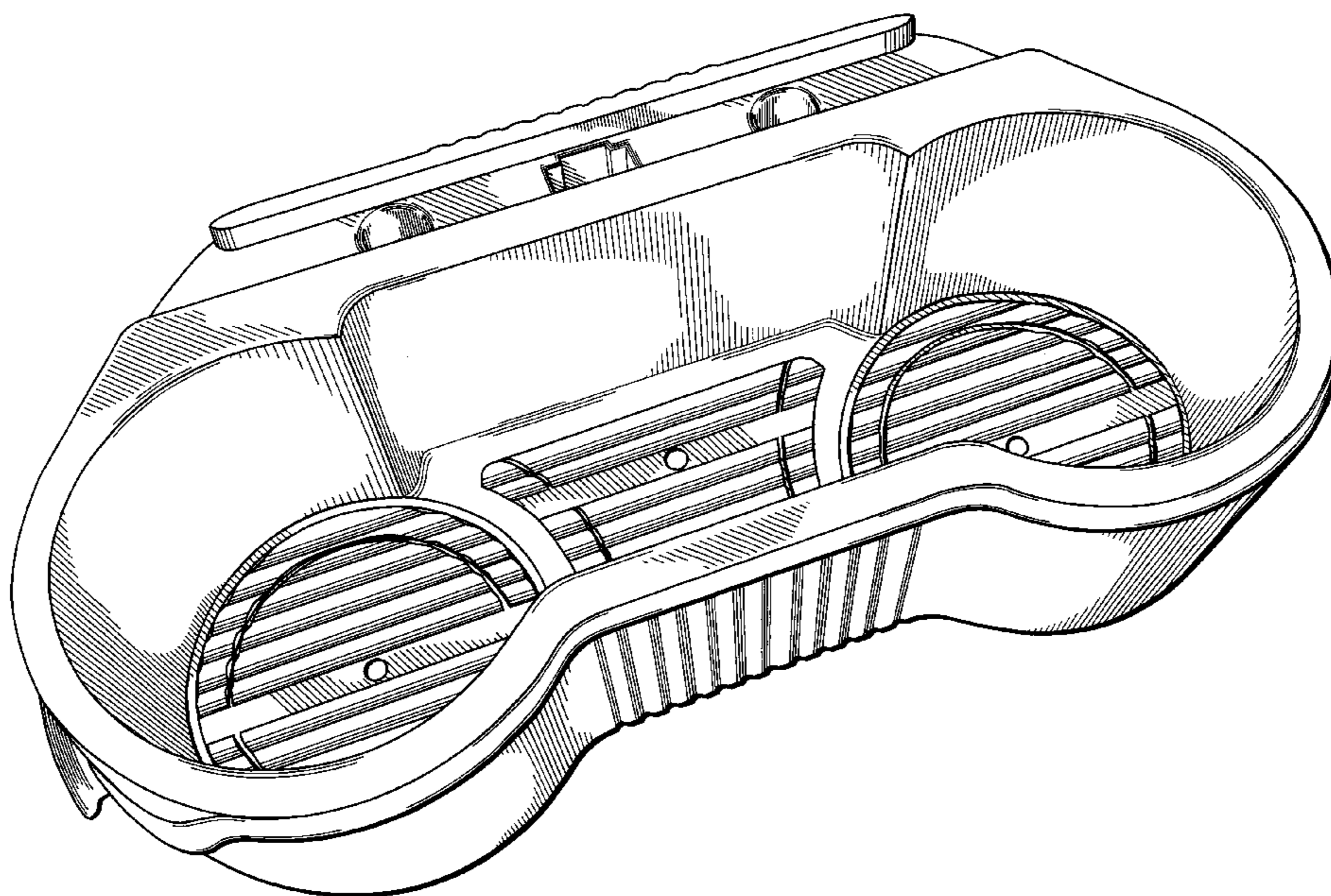
(57) **CLAIM**

The ornamental design for a contoured cargo tray, as shown and described.

DESCRIPTION

FIG. 1 is a perspective view of the contoured cargo tray showing the new design;
FIG. 2 is a top plan view of the contoured cargo tray showing the new design;
FIG. 3 is a front view of the contoured cargo tray showing the new design;
FIG. 4 is a bottom plan view of the contoured cargo tray showing the new design;
FIG. 5 is a rear view of the contoured cargo tray showing the new design;
FIG. 6 is a right side view of the contoured cargo tray showing the new design; and,
FIG. 7 is a left side view of the contoured cargo tray showing the new design.

1 Claim, 4 Drawing Sheets



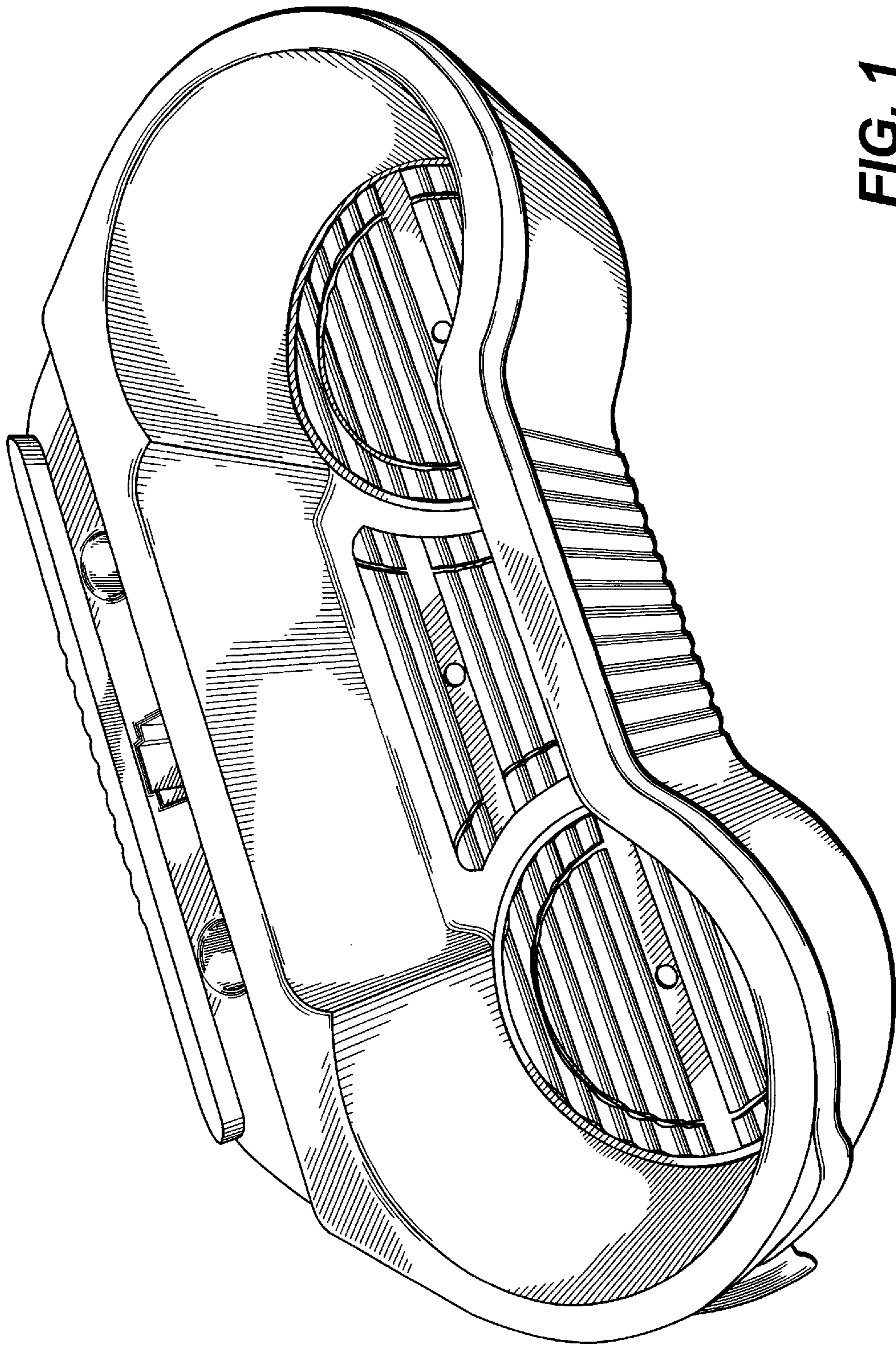


FIG. 1

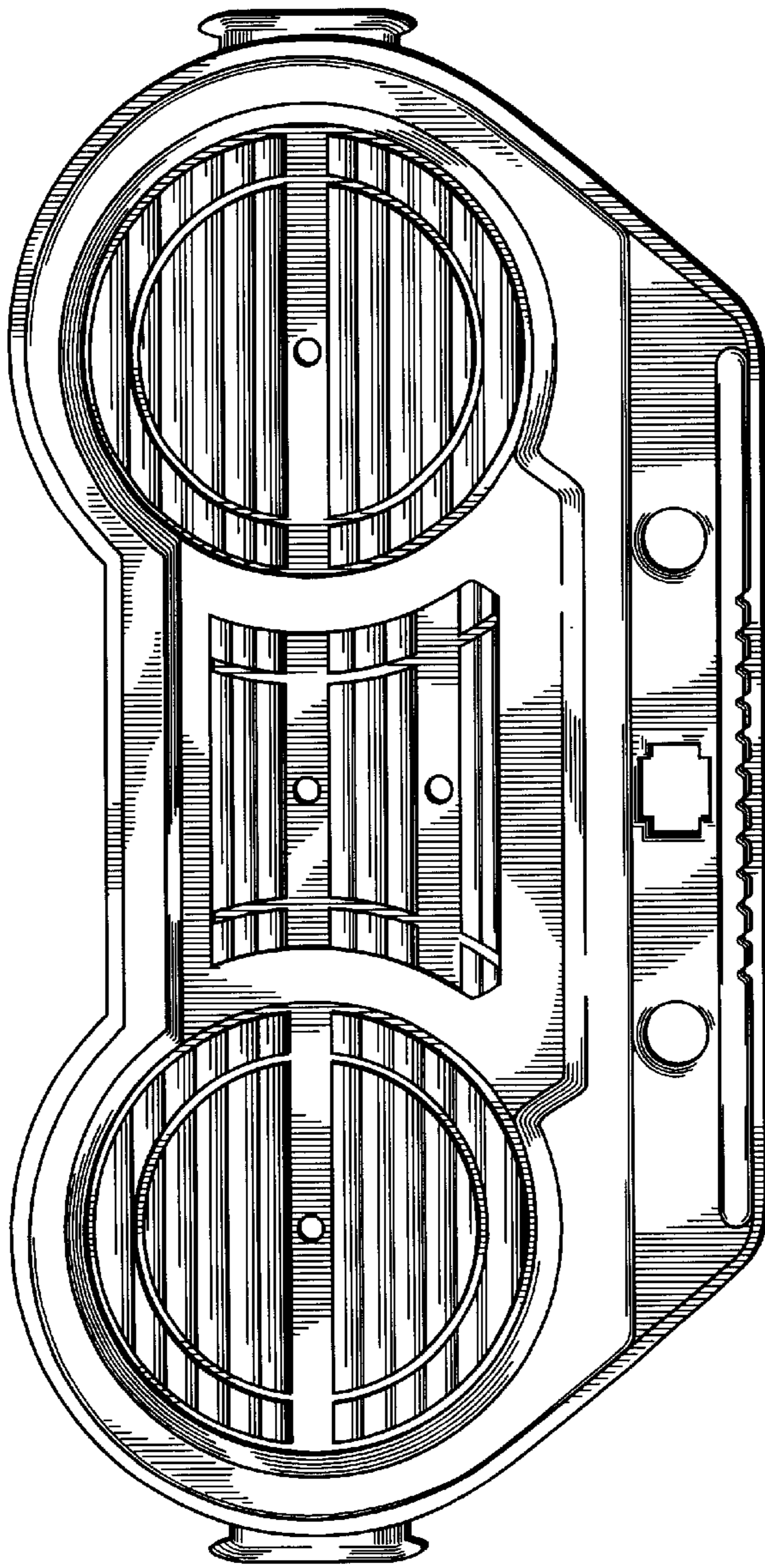


FIG. 2

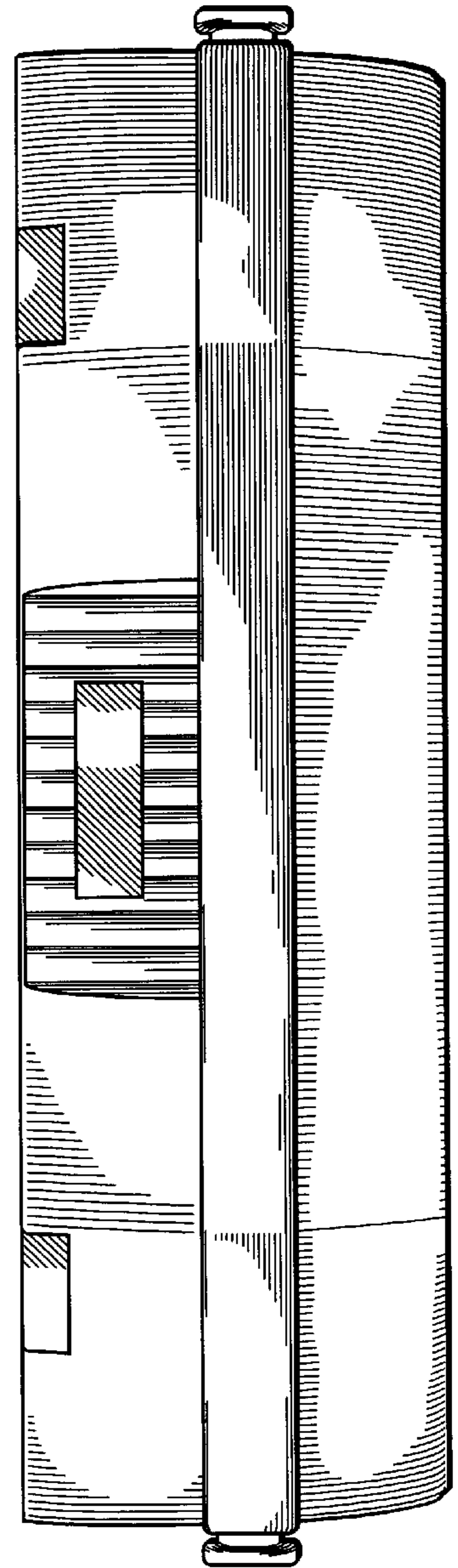


FIG. 3

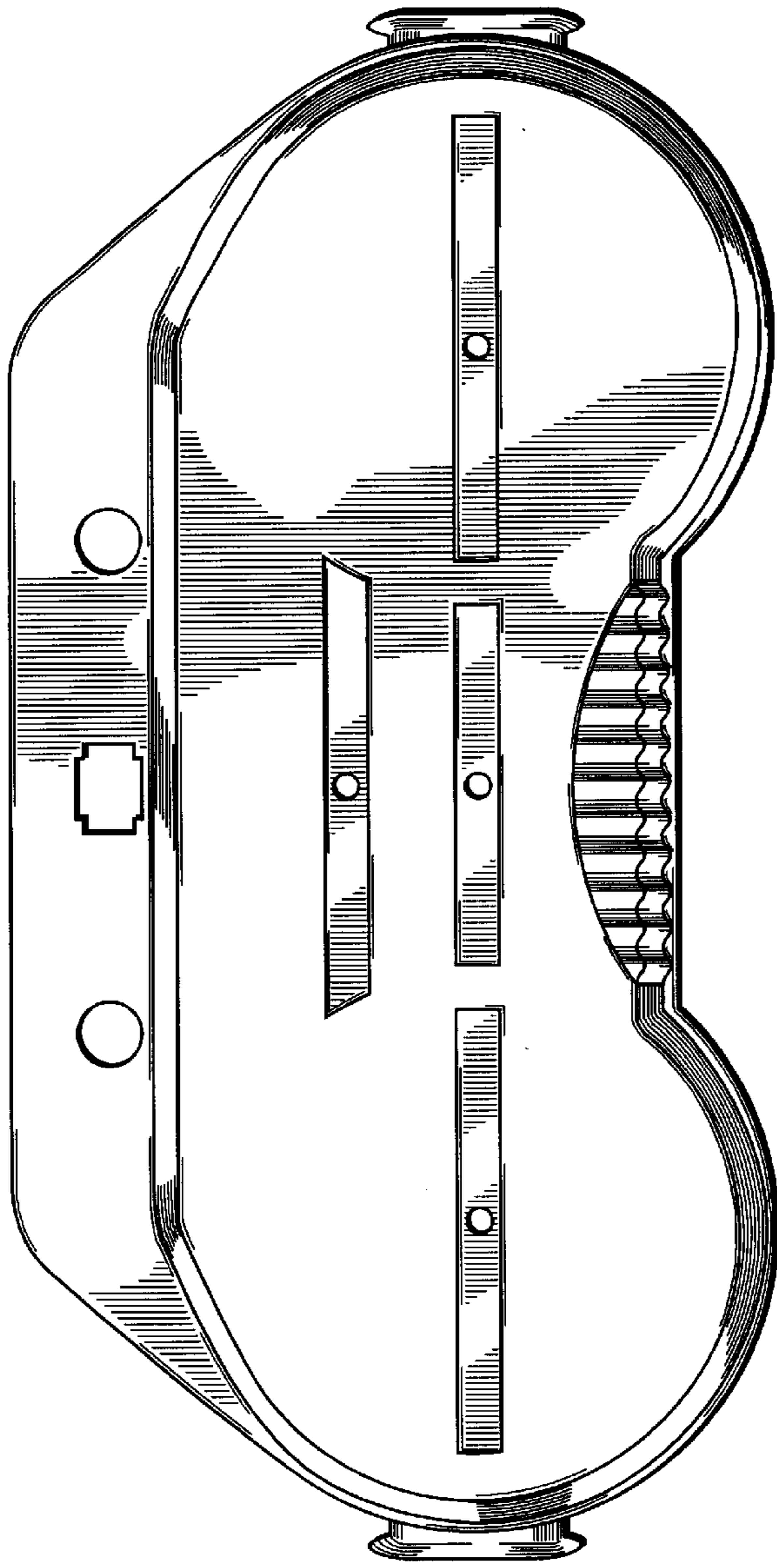


FIG. 4

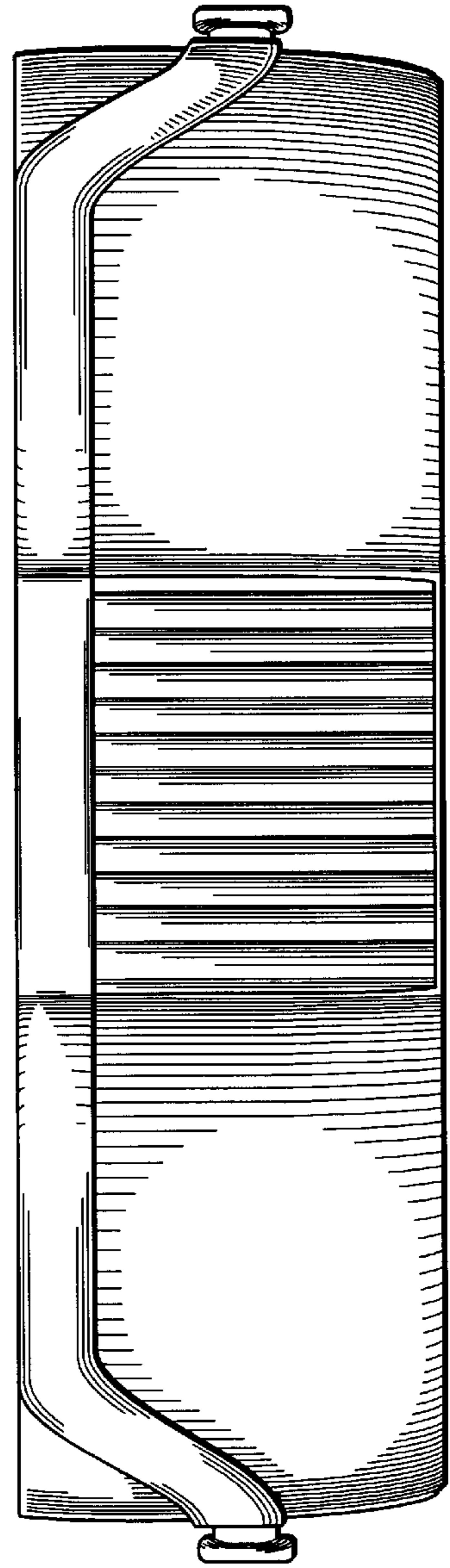


FIG. 5

FIG. 6

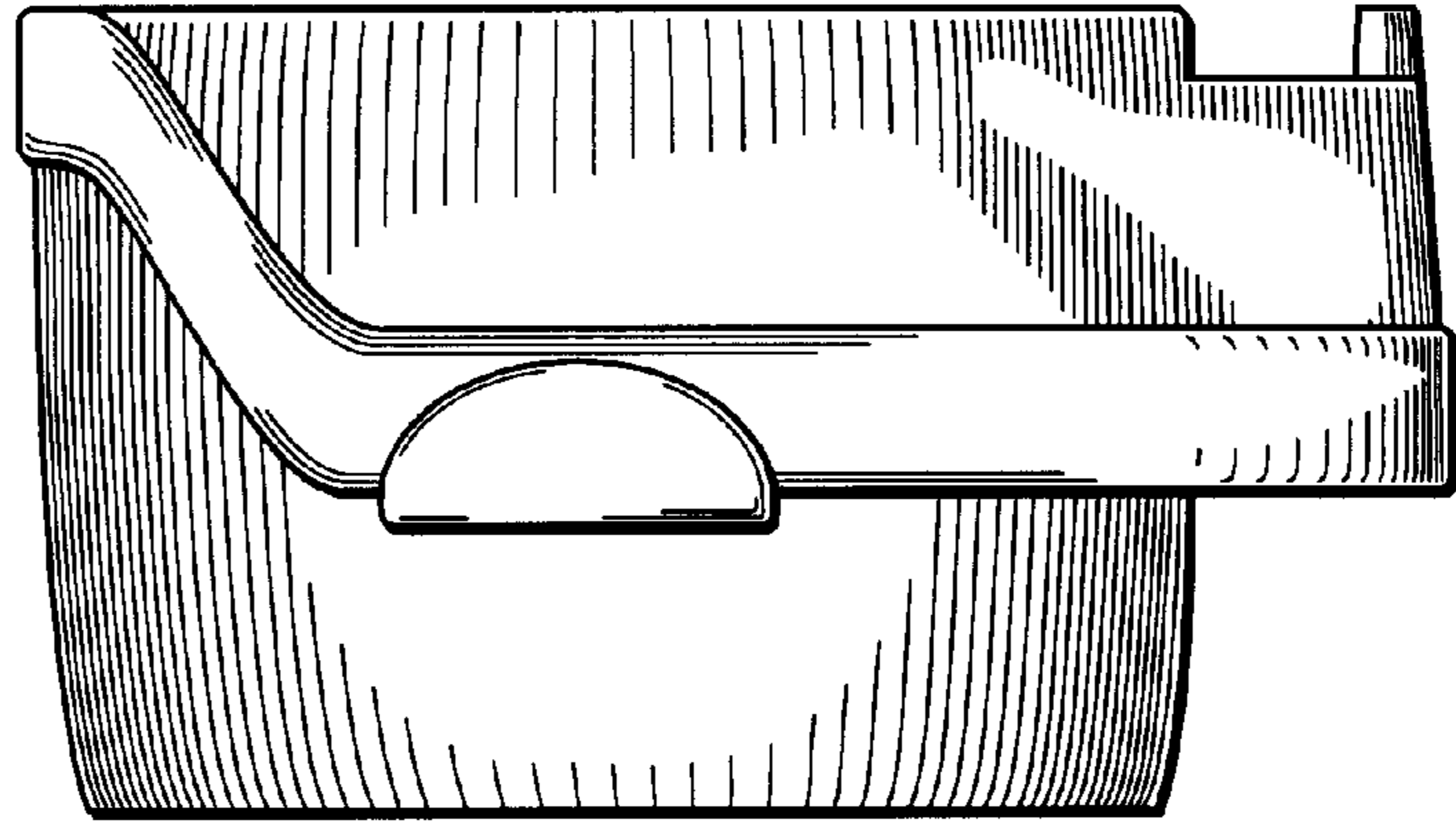


FIG. 7

