



US00D485524S

(12) **United States Design Patent**  
**Bhambra**

(10) **Patent No.:** **US D485,524 S**  
(45) **Date of Patent:** **\*\* Jan. 20, 2004**

(54) **FRONT FACE OF A VEHICLE WHEEL**

(75) **Inventor:** **Randjit Bhambra,**  
Tiefenbronn-Mühlhausen (DE)

(73) **Assignee:** **Dr. Ing. h.c.F. Porsche**  
**Aktiengesellschaft, Stuttgart (DE)**

(\*\*) **Term:** **14 Years**

(21) **Appl. No.:** **29/167,261**

(22) **Filed:** **Sep. 12, 2002**

(30) **Foreign Application Priority Data**

Mar. 15, 2002 (DE) ..... 4 02 02 549

(51) **LOC (7) Cl.** ..... **12-16**

(52) **U.S. Cl.** ..... **D12/209**

(58) **Field of Search** ..... D12/204-211;  
301/37.101, 64.101, 65

(56) **References Cited**

**U.S. PATENT DOCUMENTS**

D398,574 S	*	9/1998	McMath	.....	D12/211
D402,251 S	*	12/1998	Timm	.....	D12/211
D407,364 S	*	3/1999	Fisker	.....	D12/209
D412,480 S	*	8/1999	Hussaini et al.	.....	D12/209
D412,692 S	*	8/1999	Hussaini	.....	D12/209
D417,646 S	*	12/1999	Baumgartner	.....	D12/211
D419,942 S	*	2/2000	Lampkin	.....	D12/209

D421,417 S	*	3/2000	Weidhase	.....	D12/209
D422,258 S	*	4/2000	Hale, Jr.	.....	D12/211
D432,974 S	*	10/2000	Jablonski	.....	D12/211
D433,374 S	*	11/2000	Wang	.....	D12/209
D450,647 S	*	11/2001	Pfeiffer	.....	D12/211
D450,650 S	*	11/2001	Cinibulk	.....	D12/211
D454,527 S	*	3/2002	Bhambra	.....	D12/209
D465,757 S	*	11/2002	Kataoka	.....	D12/209
D466,853 S	*	12/2002	Maifrini	.....	D12/211
D467,213 S	*	12/2002	Pfeiffer et al.	.....	D12/211
D467,855 S	*	12/2002	Laengerer	.....	D12/209
D471,851 S	*	3/2003	McMath	.....	D12/209
D475,674 S	*	6/2003	Baumgartner	.....	D12/211

\* cited by examiner

*Primary Examiner*—Stacia Cadmus

(74) *Attorney, Agent, or Firm*—Crowell & Moring LLP

(57) **CLAIM**

The ornamental design for a front face of a vehicle wheel, as shown and described.

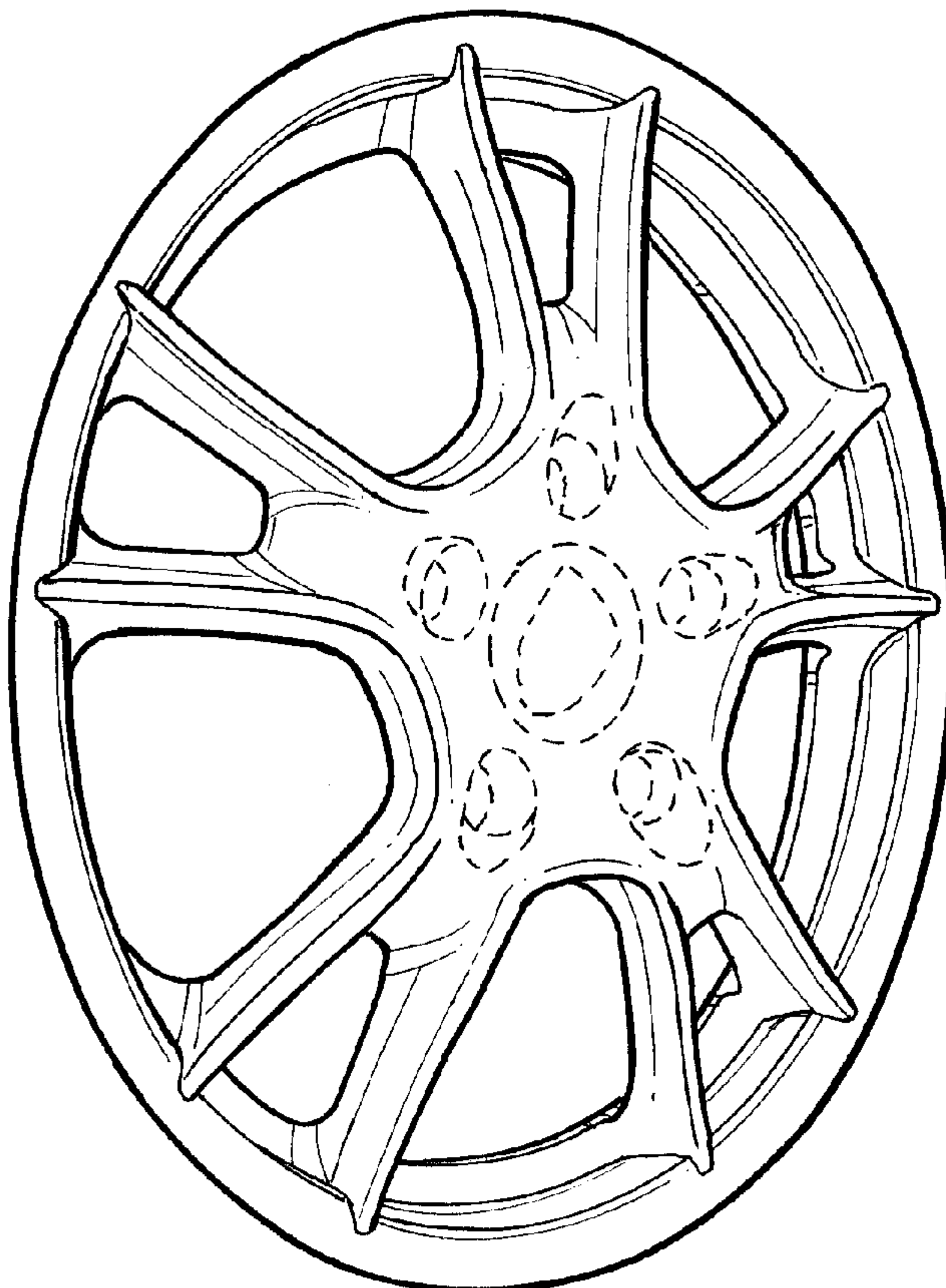
**DESCRIPTION**

FIG. 1 is a front view of a front face of a vehicle wheel according to my novel design; and,

FIG. 2 is a perspective view of the front face of a vehicle wheel according to my novel design.

The dash lines included depict environment and are not part of the claimed design.

**1 Claim, 1 Drawing Sheet**



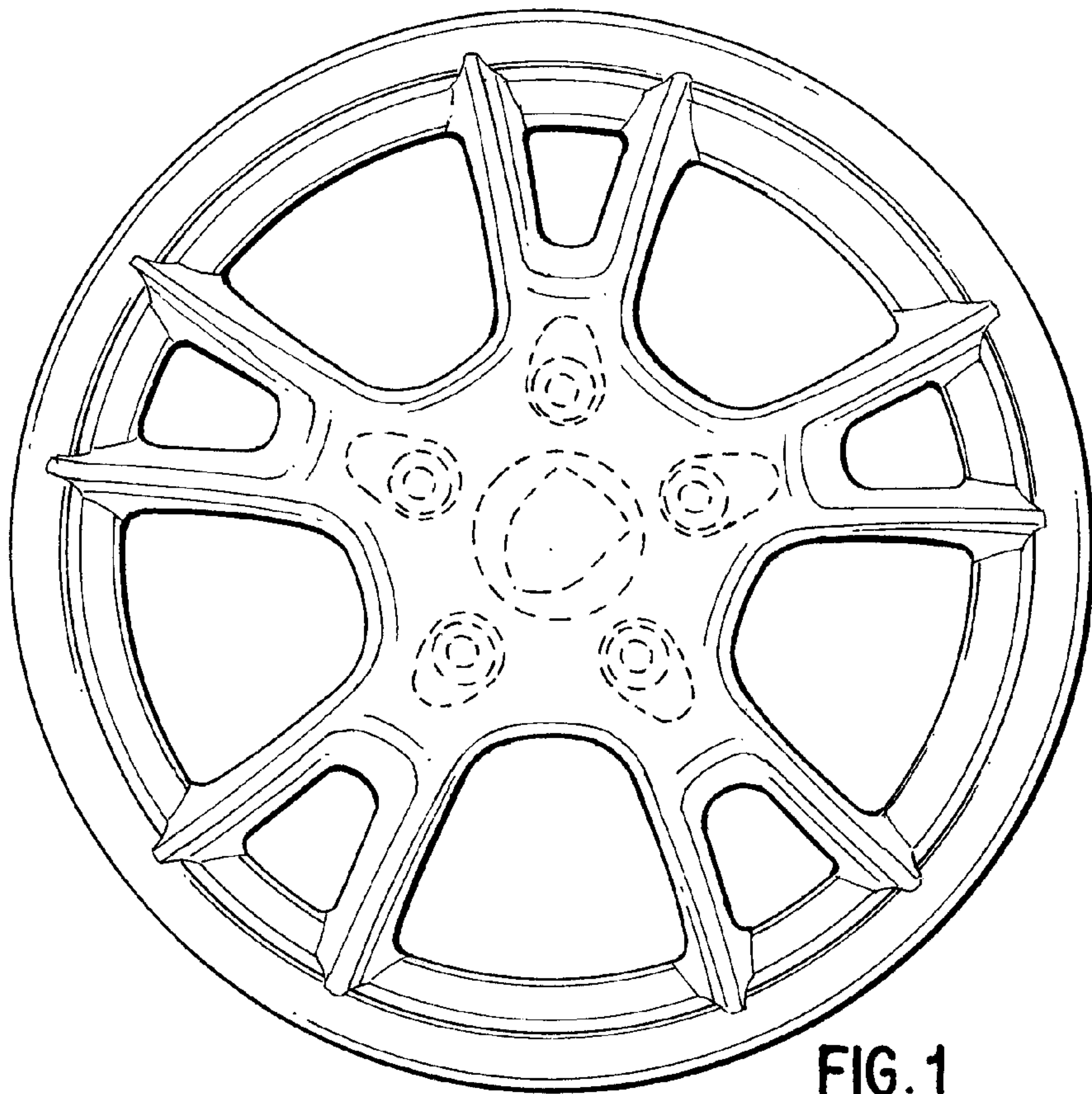


FIG. 1

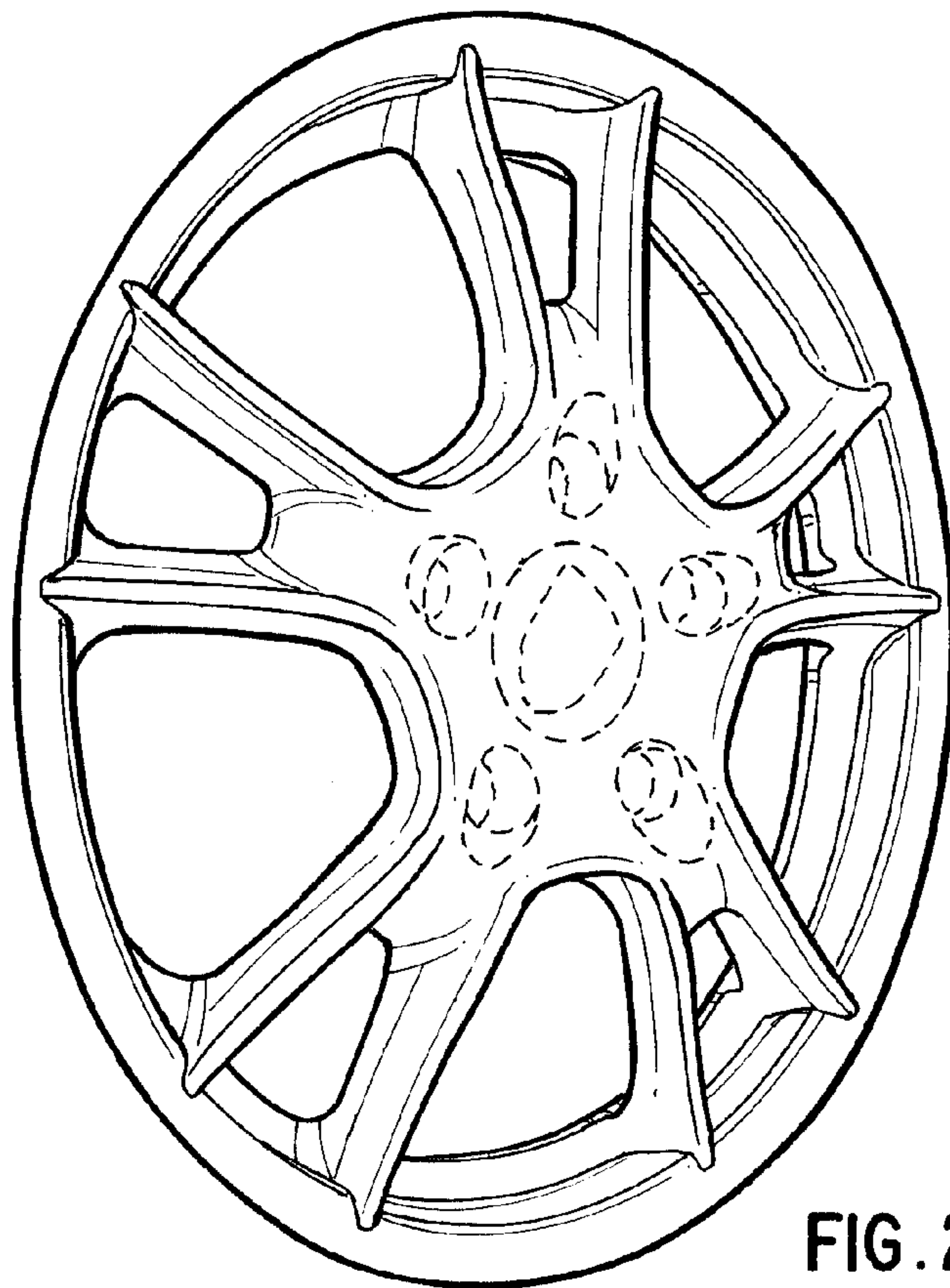


FIG. 2