



US00D485521S

(12) **United States Design Patent**
Kuo

(10) **Patent No.:** **US D485,521 S**

(45) **Date of Patent:** **** Jan. 20, 2004**

(54) **AUTOMOBILE REARVIEW MIRROR**

D464,922 S * 10/2002 Kuo D12/187
D468,670 S * 1/2003 Warming D12/187

(75) **Inventor:** **Fang-Mei Kuo, Yungkang (TW)**

* cited by examiner

(73) **Assignee:** **Aloha Auto Industry Co., Tainan (TW)**

Primary Examiner—Melody N. Brown

(**) **Term:** **14 Years**

(74) *Attorney, Agent, or Firm*—Alan D. Kamrath; Rider Bennett, LLP

(21) **Appl. No.:** **29/178,718**

(57) **CLAIM**

(22) **Filed:** **Mar. 31, 2003**

The ornamental design for an automobile rearview mirror, as shown and described.

(51) **LOC (7) Cl.** **12-16**

(52) **U.S. Cl.** **D12/187**

(58) **Field of Search** D12/187-189;
359/838-850, 864, 868-881; 248/475.1

DESCRIPTION

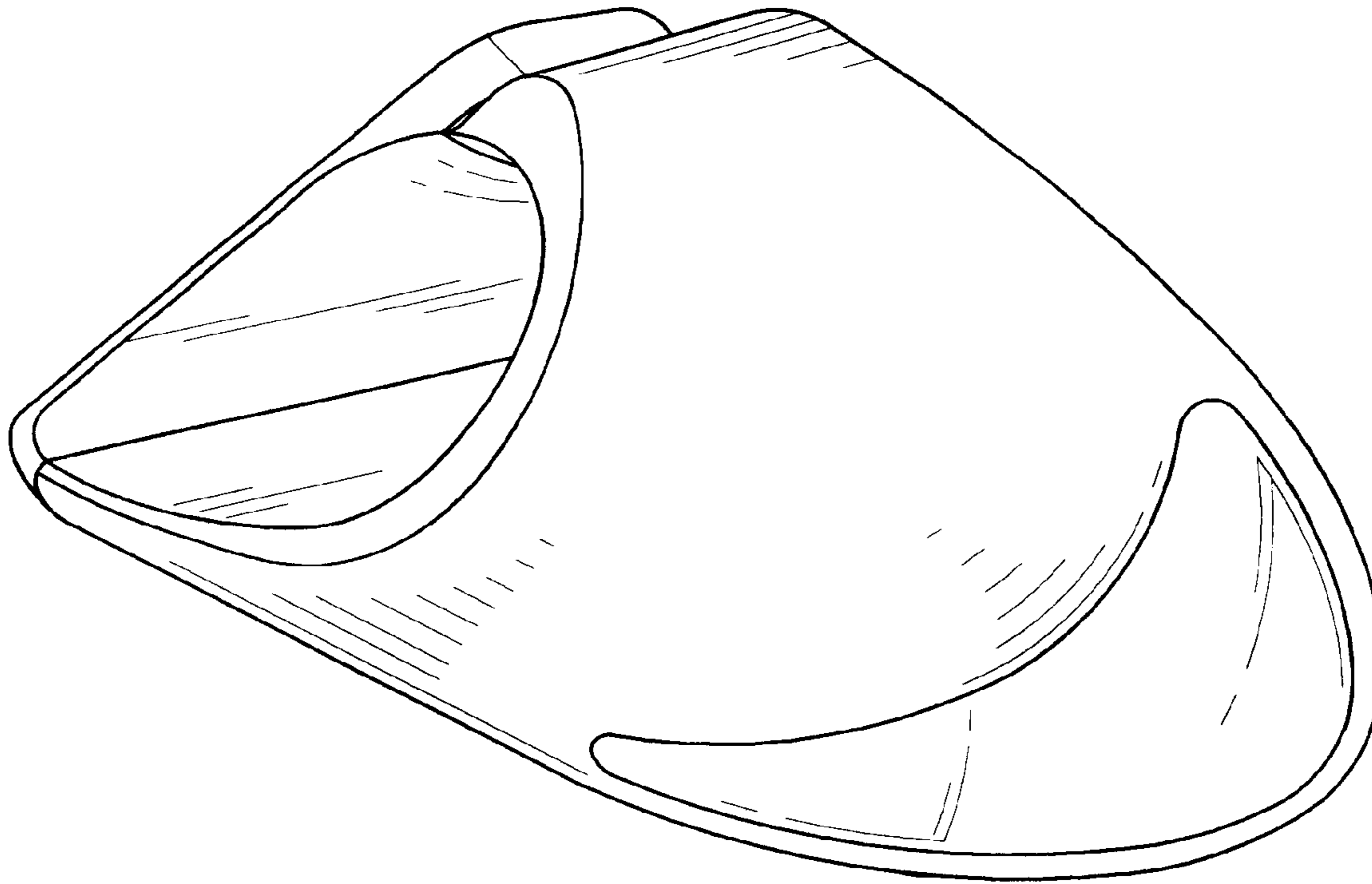
(56) **References Cited**

U.S. PATENT DOCUMENTS

- D410,421 S * 6/1999 Pfeiffer D12/187
- D445,386 S * 7/2001 Sacco et al. D12/187
- D449,262 S * 10/2001 Kuo D12/187
- D459,685 S * 7/2002 Huang D12/187
- D463,342 S * 9/2002 Sinkwitz D12/187
- D463,766 S * 10/2002 Murkett D12/187

FIG. 1 is a perspective view of an automobile rearview mirror showing my new design;
FIG. 2 is a front side elevational view thereof;
FIG. 3 is a rear side elevational view thereof;
FIG. 4 is a left side elevational view thereof;
FIG. 5 is a right side elevational view thereof;
FIG. 6 is a top plan view thereof; and,
FIG. 7 is a bottom plan view thereof.

1 Claim, 4 Drawing Sheets



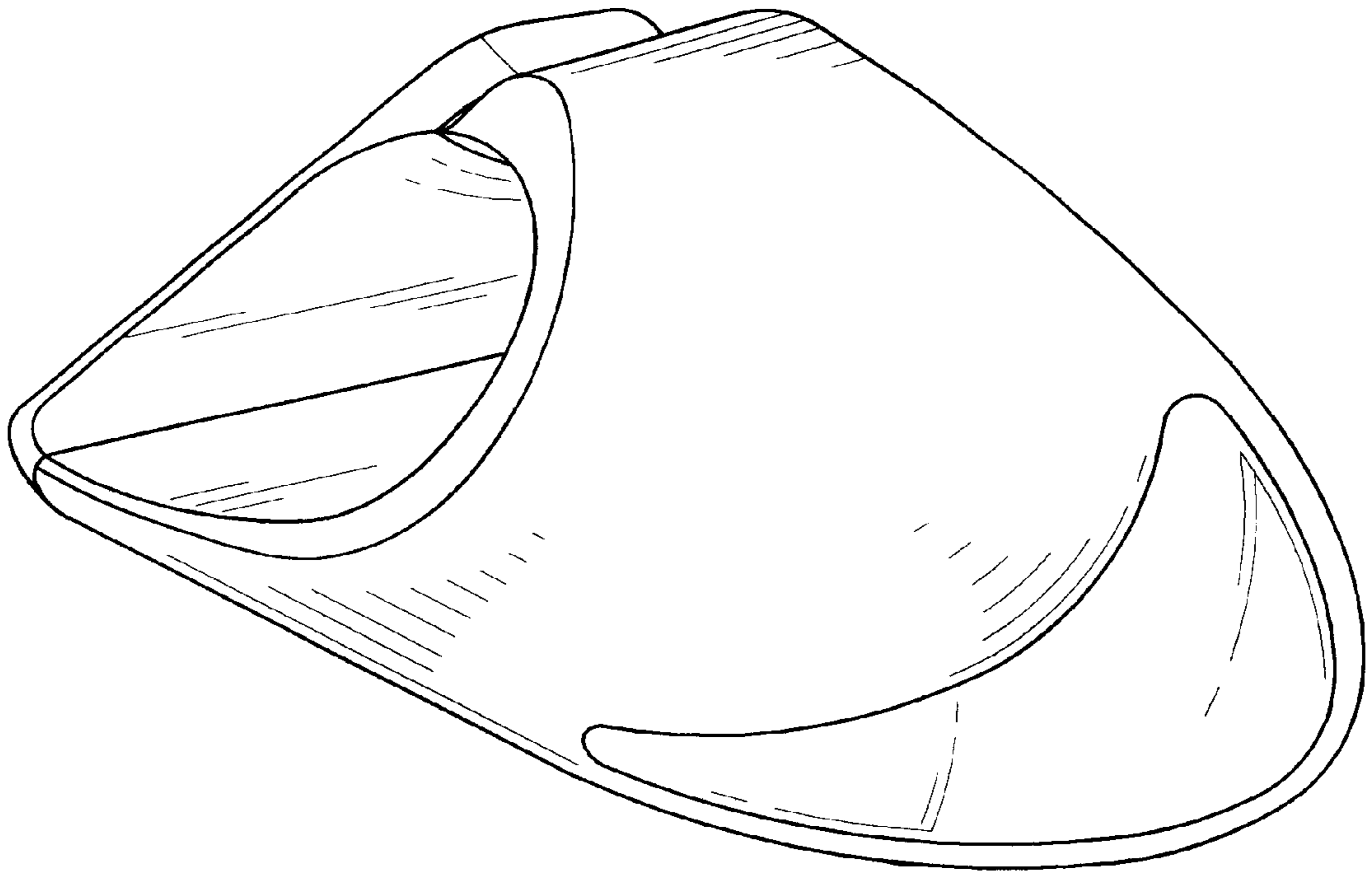


FIG. 1

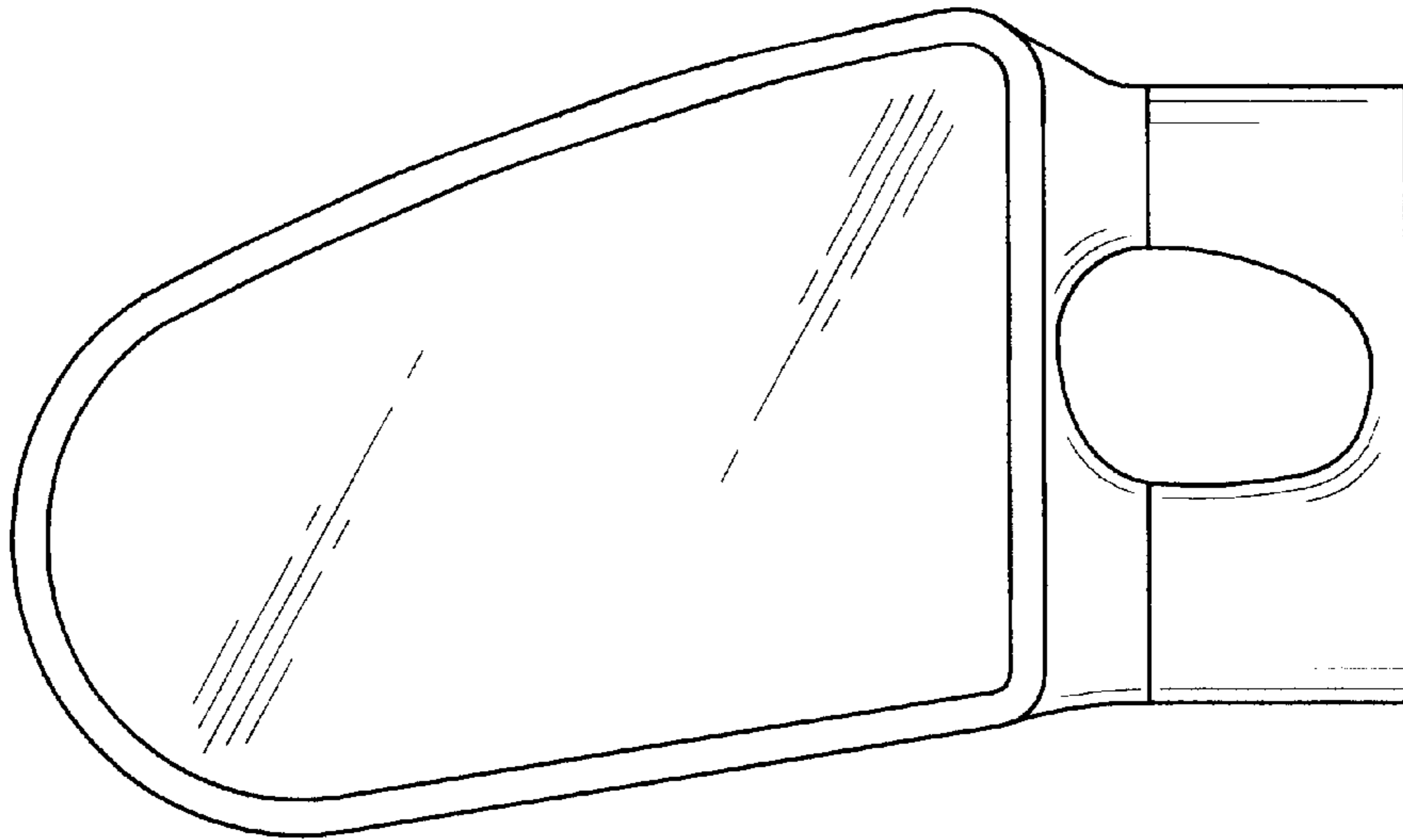


FIG. 2

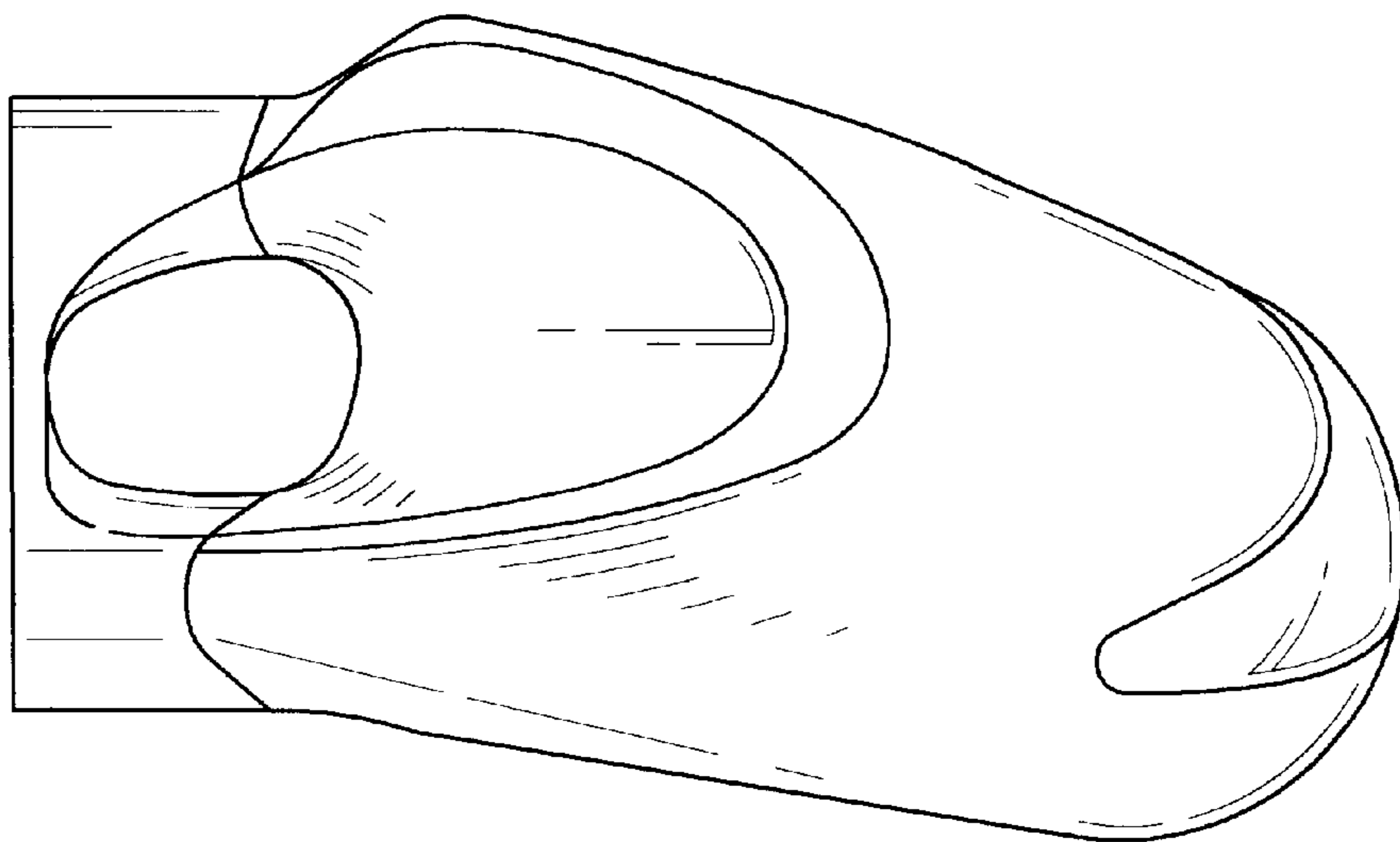


FIG. 3

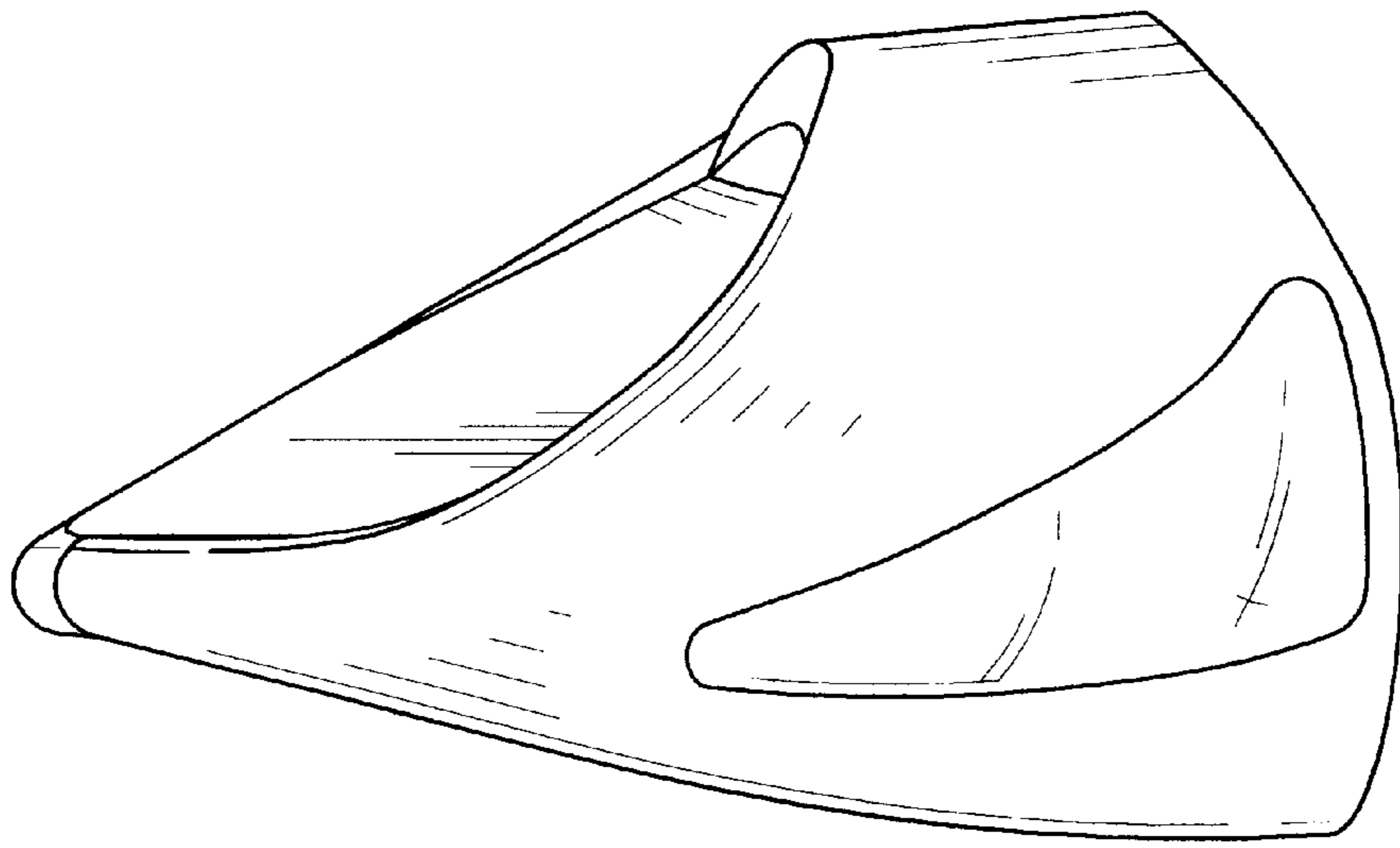


FIG. 4

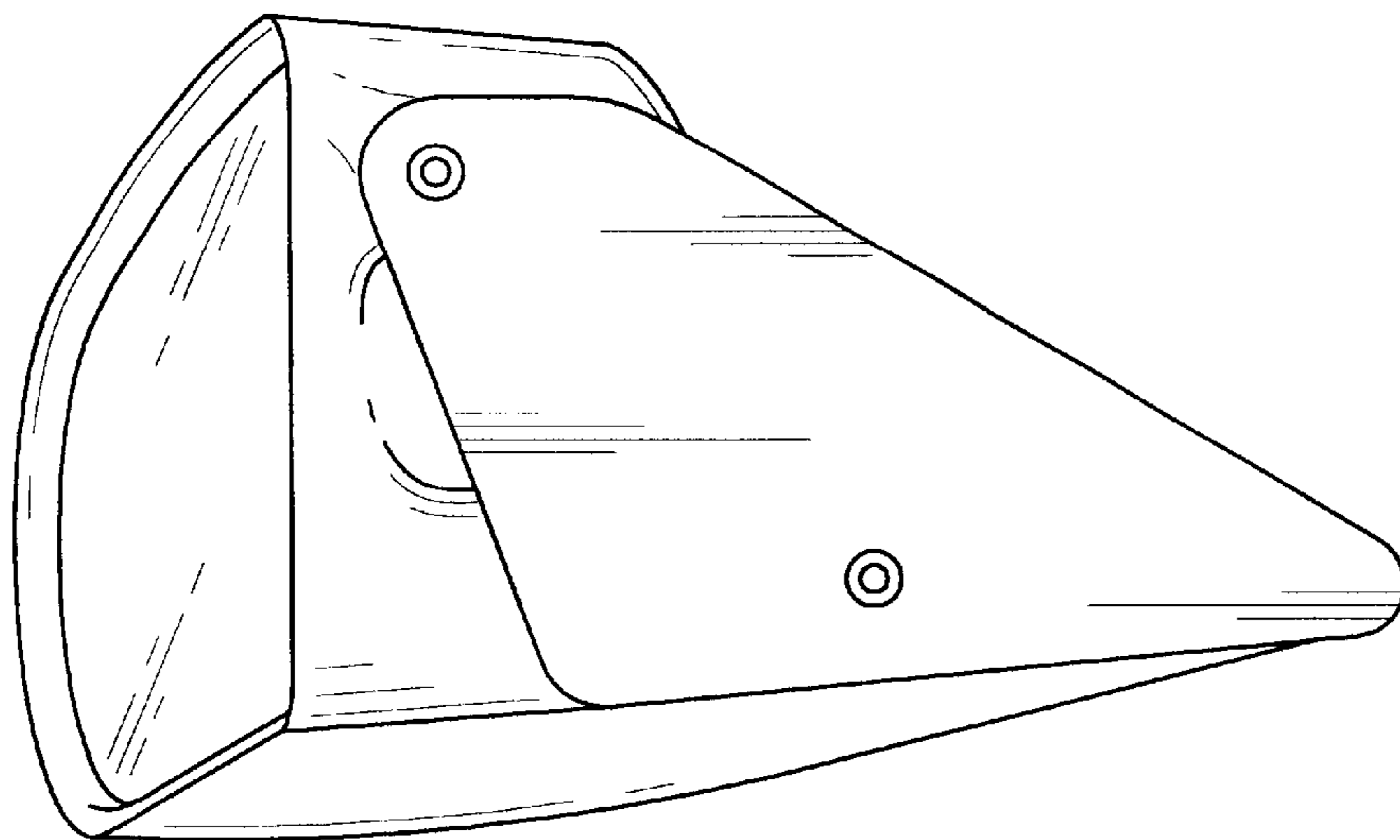


FIG. 5

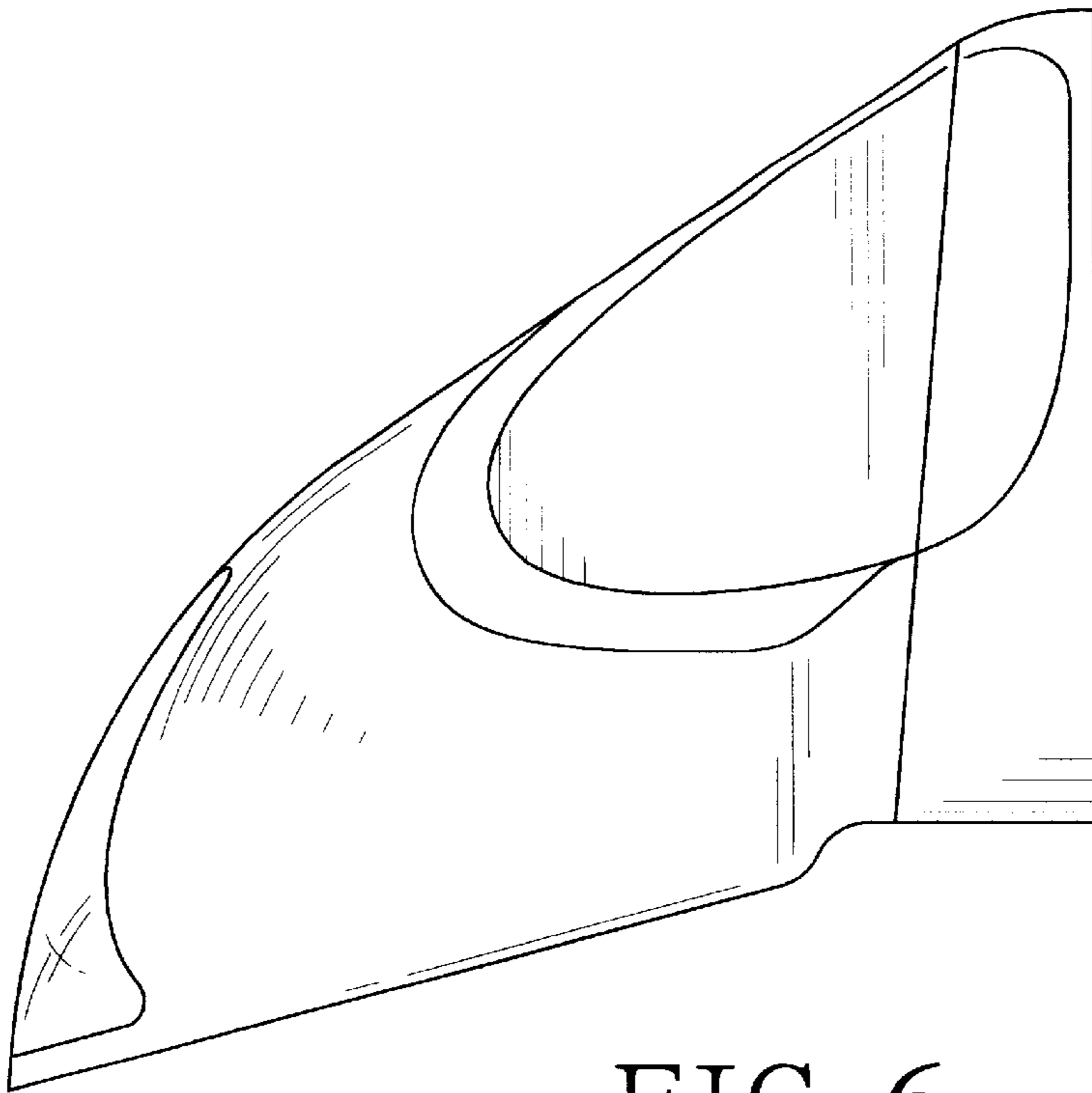


FIG. 6

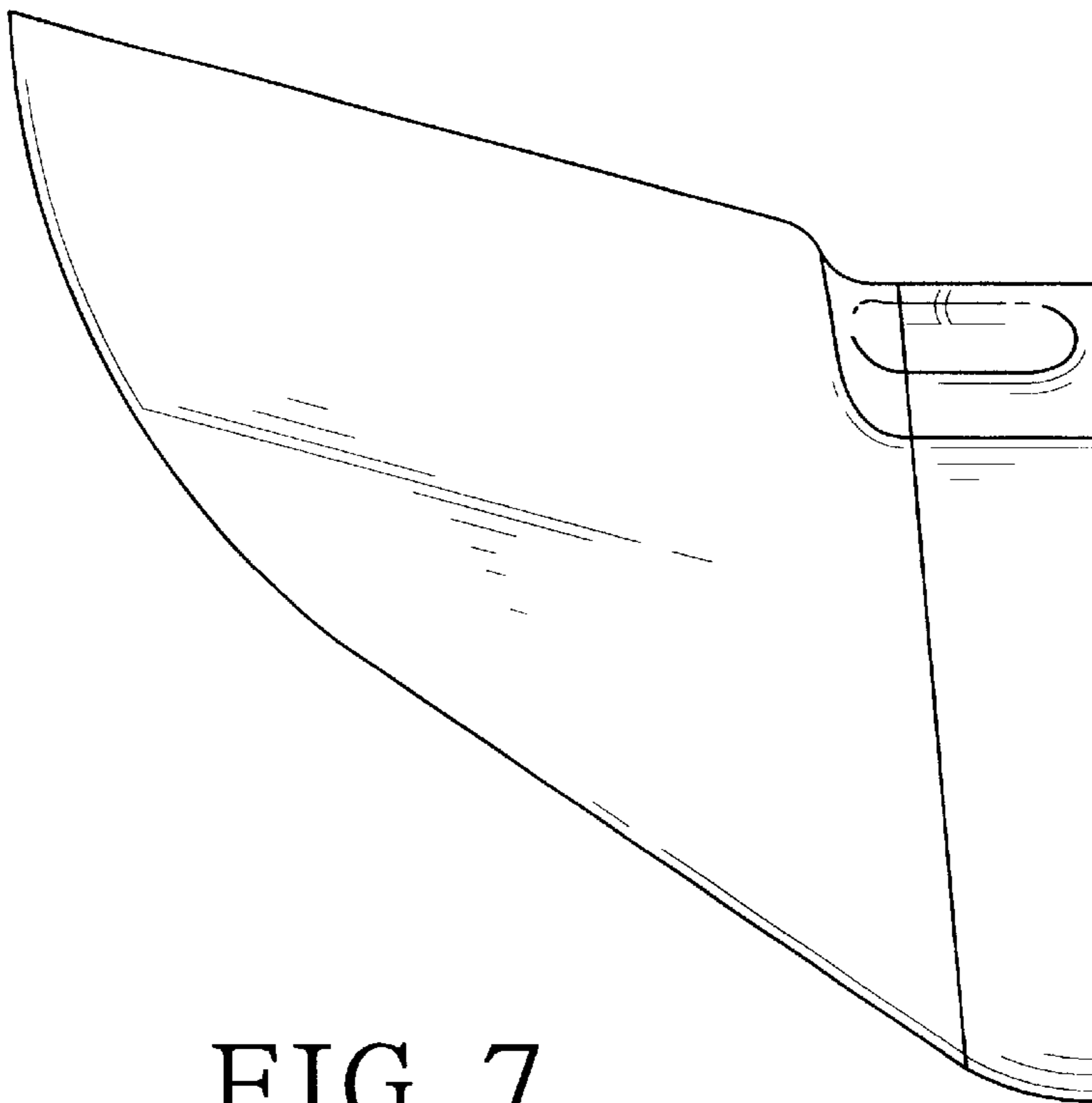


FIG. 7