



US00D485520S

(12) **United States Design Patent**  
**Song**

(10) **Patent No.:** **US D485,520 S**

(45) **Date of Patent:** **\*\* Jan. 20, 2004**

(54) **AUTOMOBILE REARVIEW MIRROR**

*Primary Examiner*—Melody N. Brown

(76) Inventor: **In Wha Song**, 11713 E. Firestone Blvd.  
#5, Norwalk, CA (US) 90650-2871

(57) **CLAIM**

(\*\*) Term: **14 Years**

The ornamental design for an automobile rearview mirror, as shown and described.

(21) Appl. No.: **29/174,133**

**DESCRIPTION**

(22) Filed: **Jan. 13, 2003**

(51) **LOC (7) Cl.** ..... **12-16**

(52) **U.S. Cl.** ..... **D12/187**

(58) **Field of Search** ..... D12/187-189;  
359/830-856, 864-881; 248/475.1, 476,  
481

FIG. 1 is a front perspective view of an automobile rearview mirror showing my new design as a flat mirror with a gradually curved left end thereof;

FIG. 2 is a front perspective view of an automobile rearview mirror showing a second embodiment of my new design;

FIG. 3 is a front elevational view of both FIGS. 1 and 2;

FIG. 4 is a rear elevational view of both FIGS. 1 and 2;

FIG. 5 is a top plan view of FIG. 1;

FIG. 6 is a bottom plan view of FIG. 1;

FIG. 7 is a top plan view of FIG. 2;

FIG. 8 is a bottom plan view of FIG. 2;

FIG. 9 is a left side elevational view of FIG. 1;

FIG. 10 is a right side elevational view of FIG. 1;

FIG. 11 is a left side elevational view of FIG. 2; and,

FIG. 12 is a right side elevational view of FIG. 2.

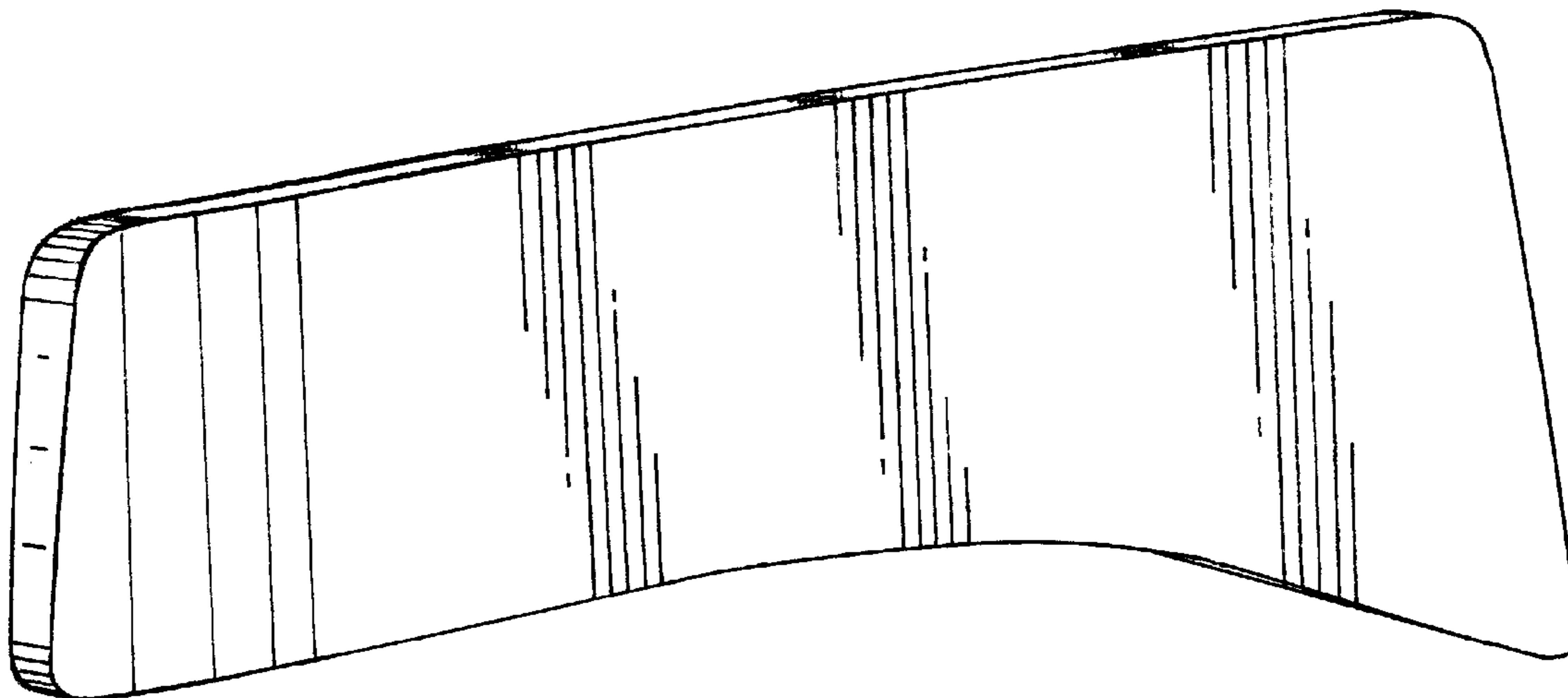
(56) **References Cited**

**U.S. PATENT DOCUMENTS**

3,063,344	A	*	11/1962	Smith	.....	359/871
D402,950	S	*	12/1998	Fitzpatrick	.....	D12/187
D410,883	S	*	6/1999	Song	.....	D12/187
D438,829	S	*	3/2001	Song	.....	D12/187
D450,641	S	*	11/2001	Song	.....	D12/187
D460,392	S	*	7/2002	Song	.....	D12/187
D464,920	S	*	10/2002	Song	.....	D12/187
D464,921	S	*	10/2002	Song	.....	D12/187

\* cited by examiner

**1 Claim, 4 Drawing Sheets**



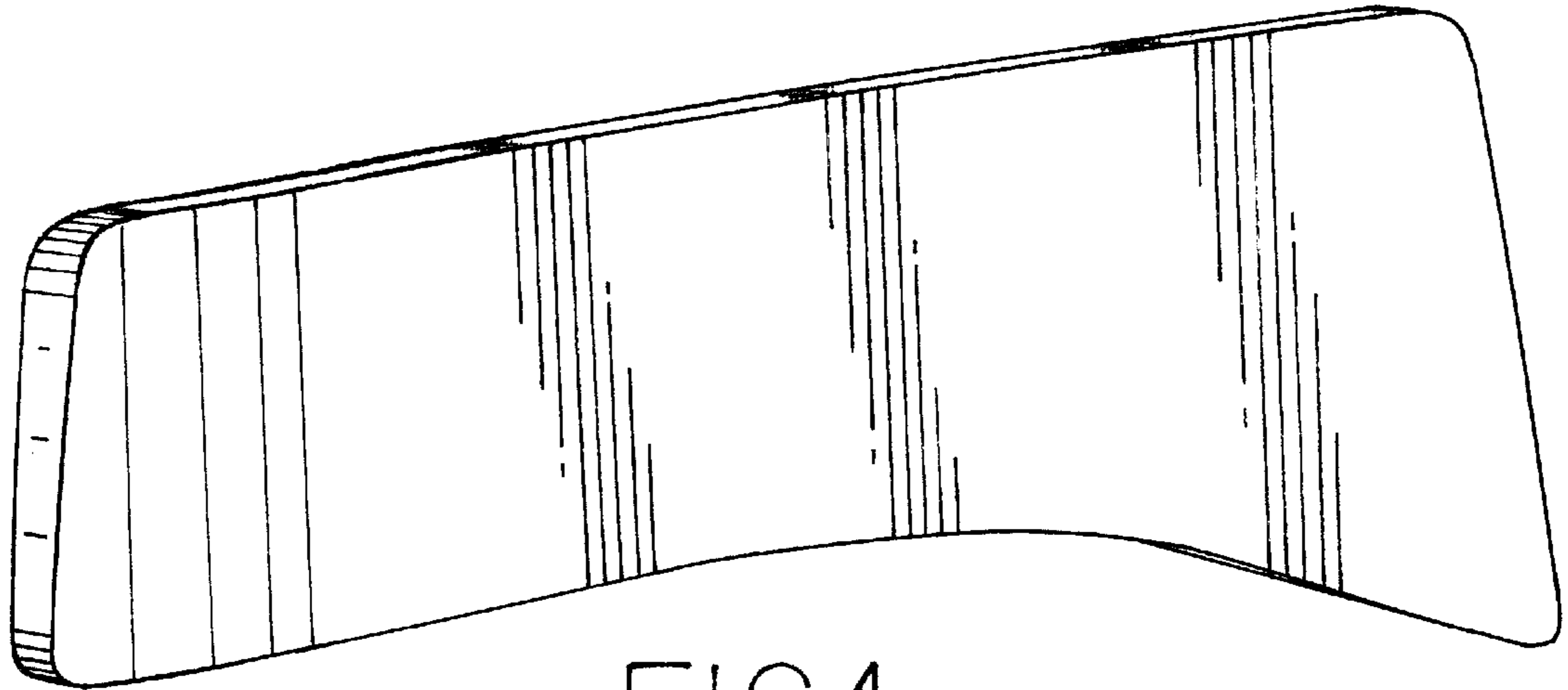


FIG.1

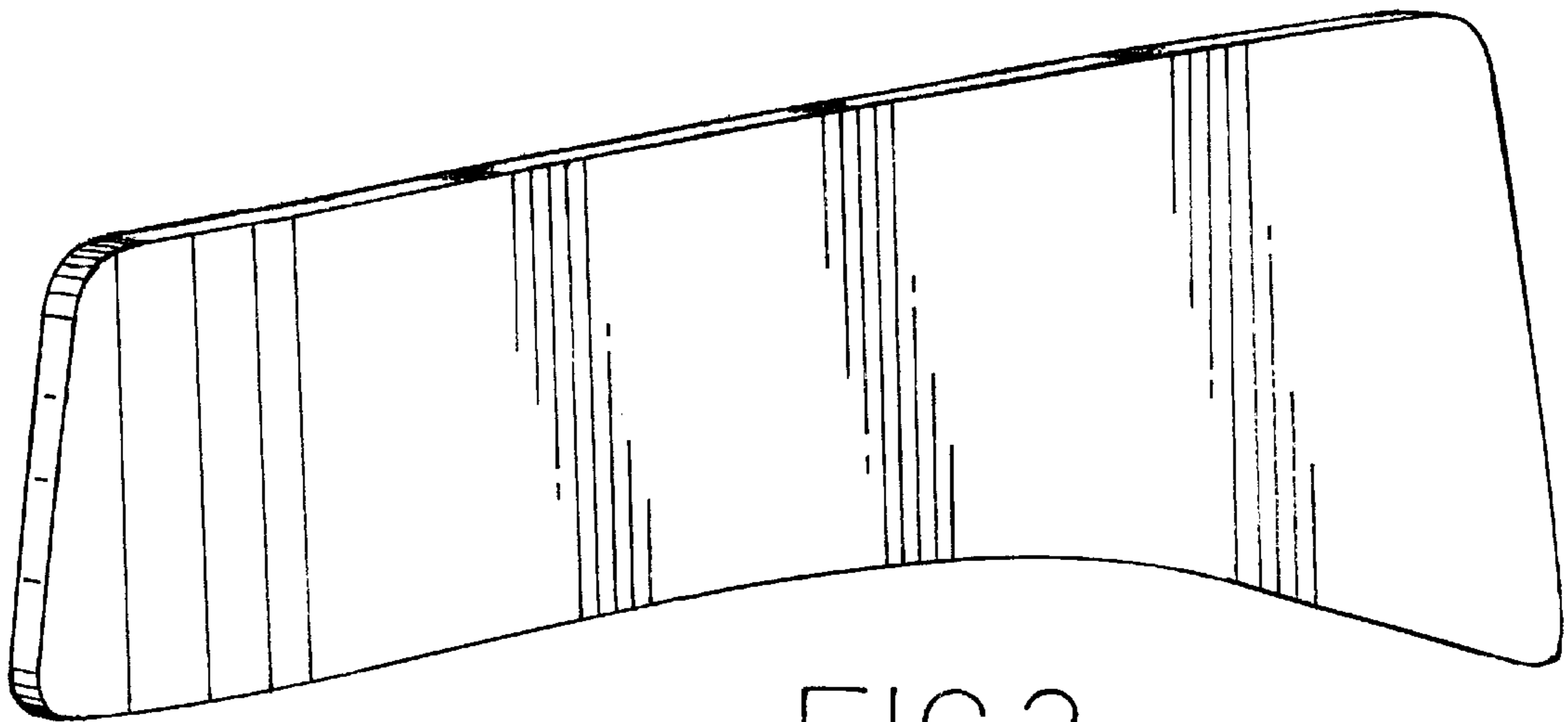
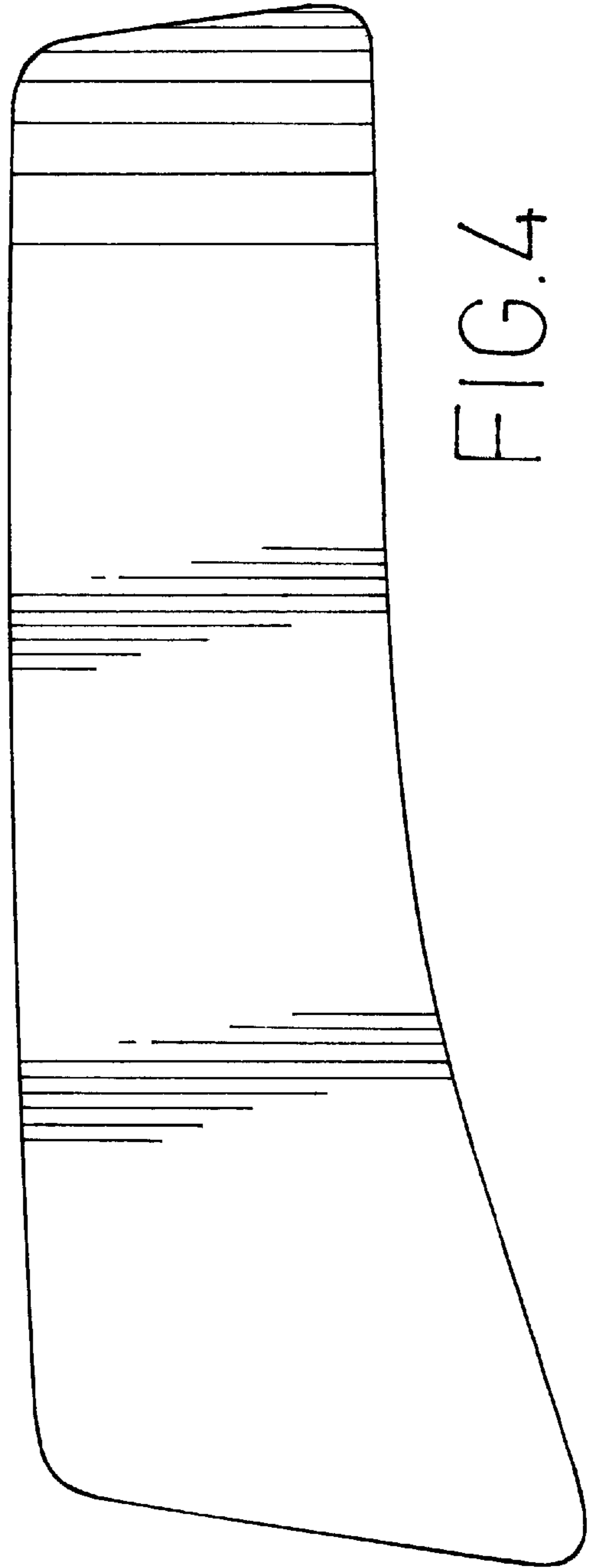
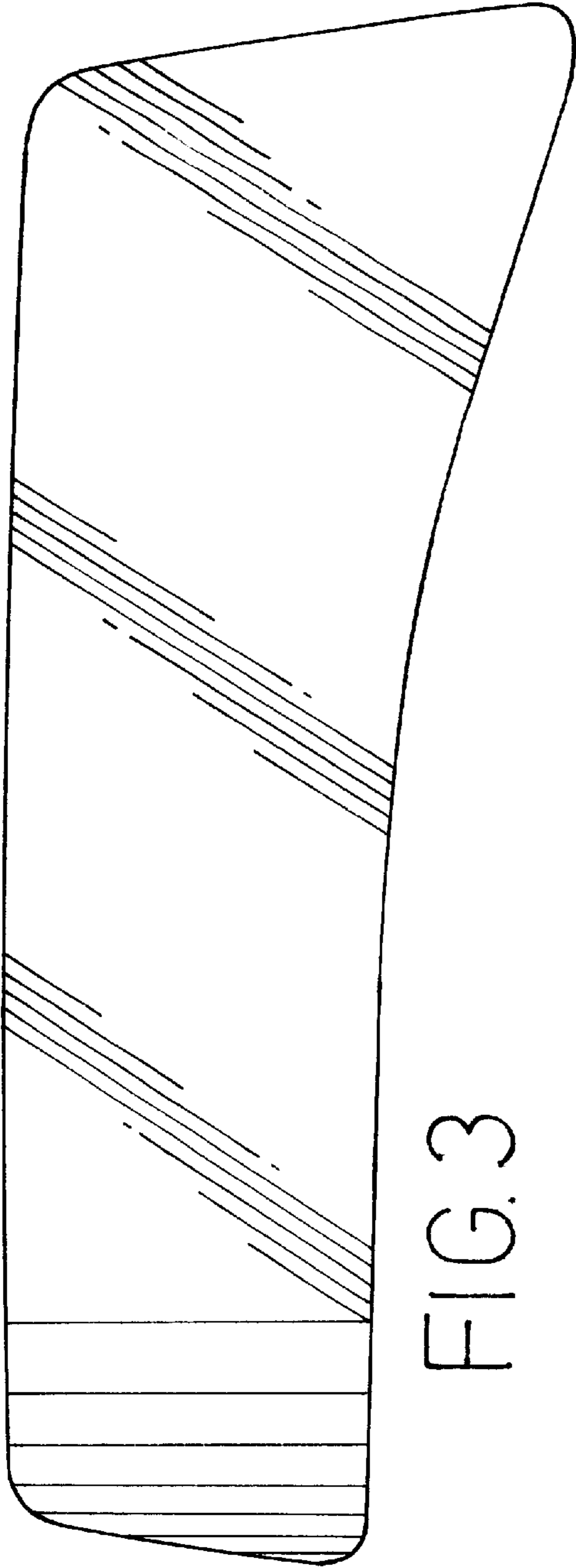


FIG.2



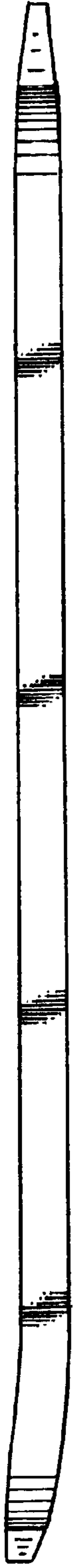


FIG. 5

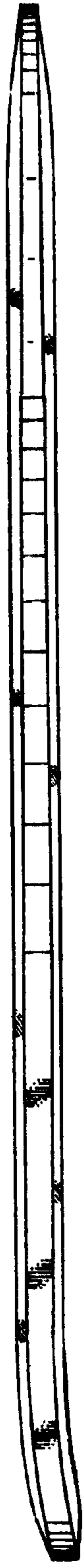


FIG. 6

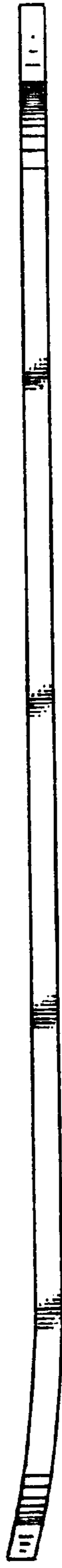


FIG. 7

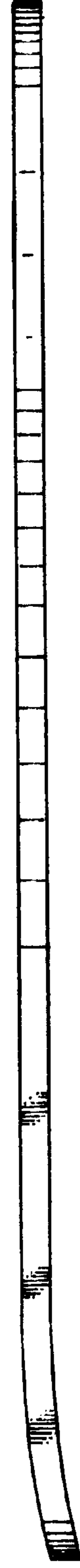


FIG. 8

FIG.9 FIG.10 FIG.11 FIG.12

