



US00D485518S

(12) **United States Design Patent**
Kraus et al.

(10) **Patent No.:** **US D485,518 S**

(45) **Date of Patent:** **** Jan. 20, 2004**

(54) **STEERING WHEEL**

(75) Inventors: **Ulrich Kraus**, Villingen-Schwenningen (DE); **Gert-Dieter Tuzar**, Obereschach (DE)

(73) Assignee: **Siemens AG**, Munich (DE)

(**) Term: **14 Years**

(21) Appl. No.: **29/182,216**

(22) Filed: **May 22, 2003**

(30) **Foreign Application Priority Data**

Nov. 27, 2002 (DE) 402 09 941

(51) **LOC (7) Cl.** **12-16**

(52) **U.S. Cl.** **D12/176**

(58) **Field of Search** D12/175, 176;
74/552, 558, 558.5

(56) **References Cited**

U.S. PATENT DOCUMENTS

D342,474 S * 12/1993 Oki D12/176

D394,092 S * 5/1998 Kato D21/566
D398,569 S * 9/1998 Sacco et al. D12/176
D420,963 S * 2/2000 Conterno D12/176
D467,529 S * 12/2002 Ramos et al. D12/176
D476,607 S * 7/2003 Stern et al. D12/176
D479,168 S * 9/2003 Faust et al. D12/176

* cited by examiner

Primary Examiner—Melody N. Brown

(74) *Attorney, Agent, or Firm*—Jacob Eisenberg; Siemens Schweiz AG

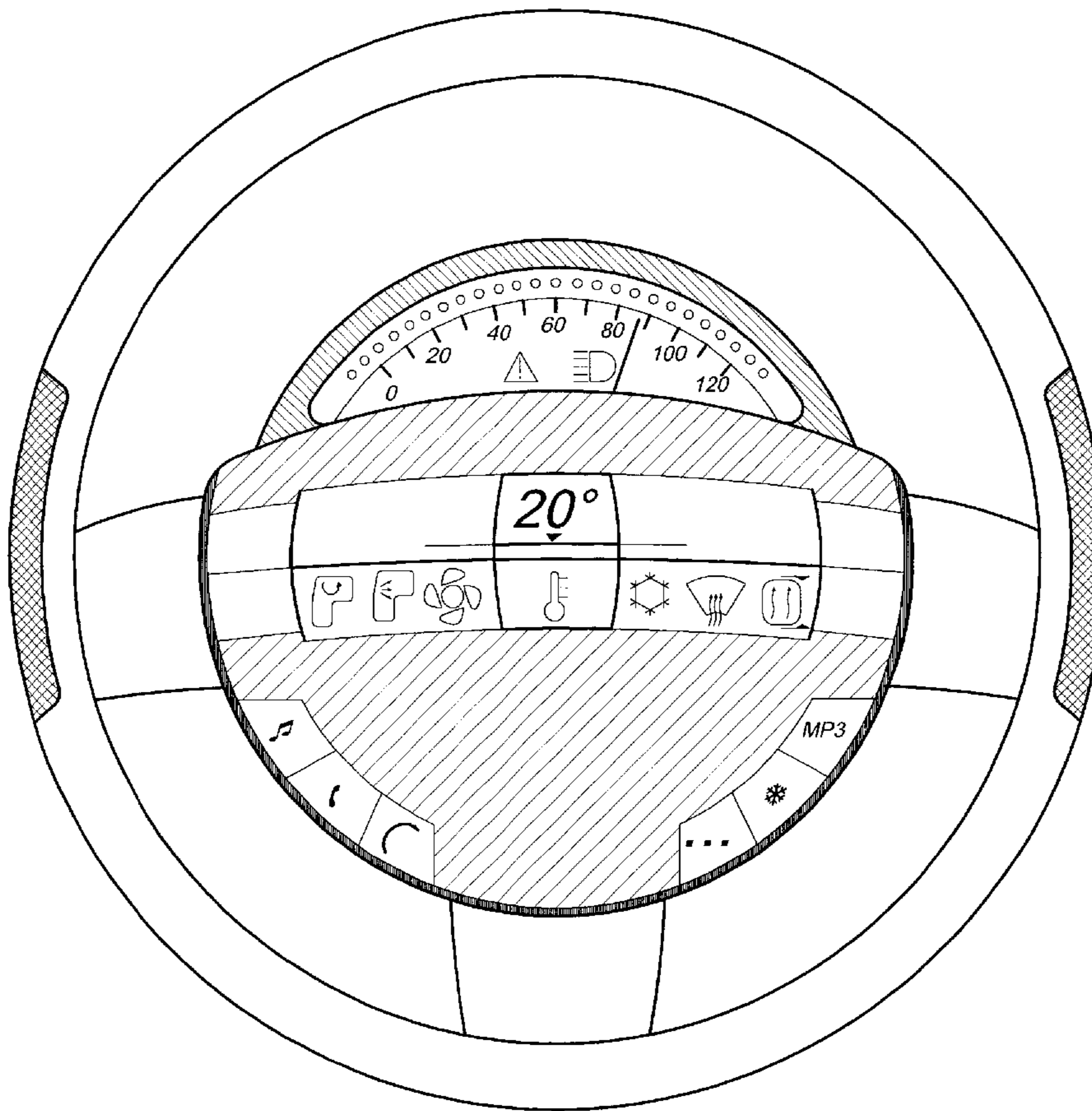
(57) **CLAIM**

The ornamental design for a steering wheel, as shown.

DESCRIPTION

FIG. 1 is a front view of an embodiment of a steering wheel;
FIG. 2 is a back view thereof;
FIG. 3 is a bottom view thereof;
FIG. 4 is a top view thereof;
FIG. 5 is a view from the left side thereof; and,
FIG. 6 is a view from the bottom side thereof.

1 Claim, 6 Drawing Sheets



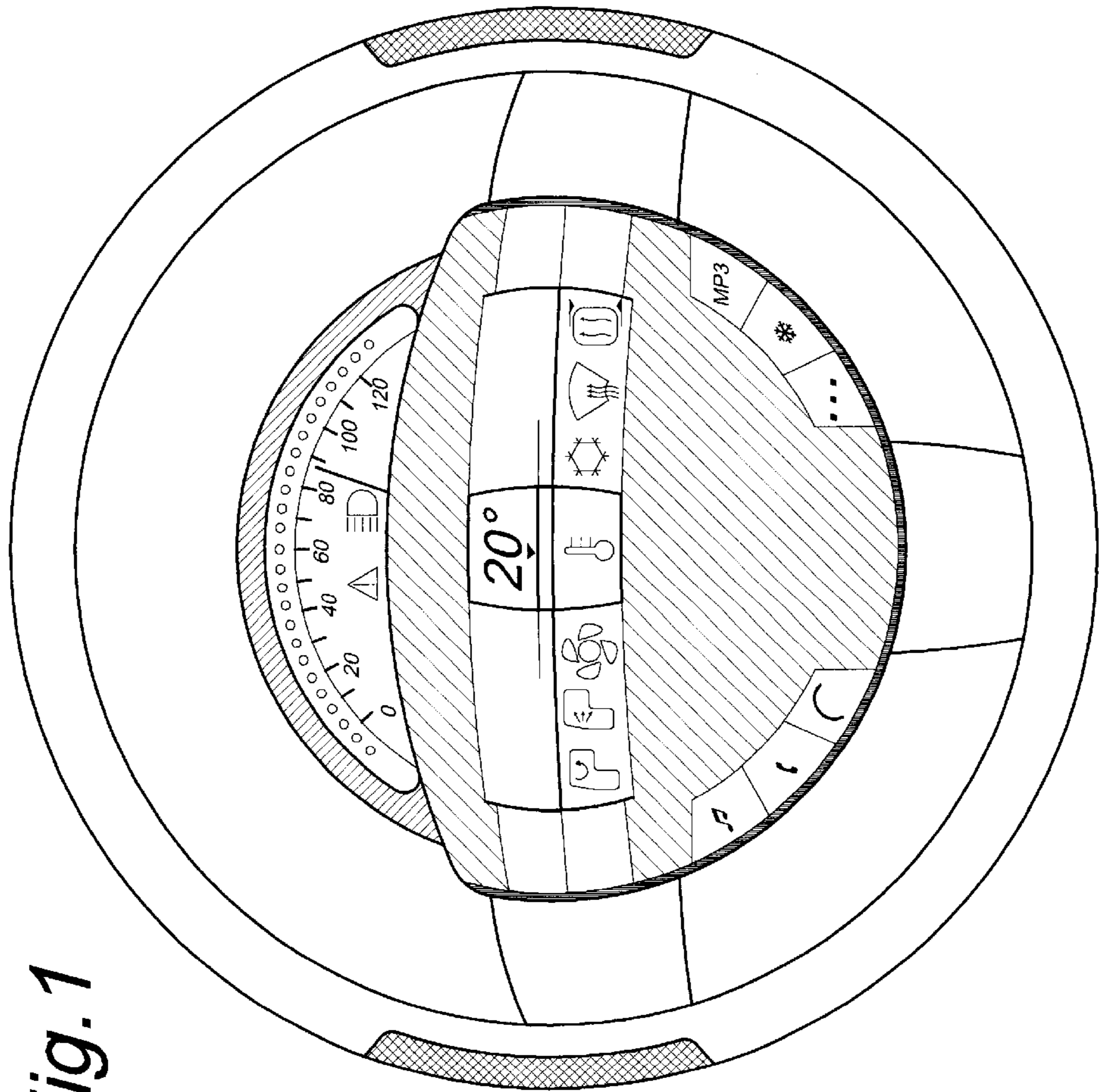


Fig. 1

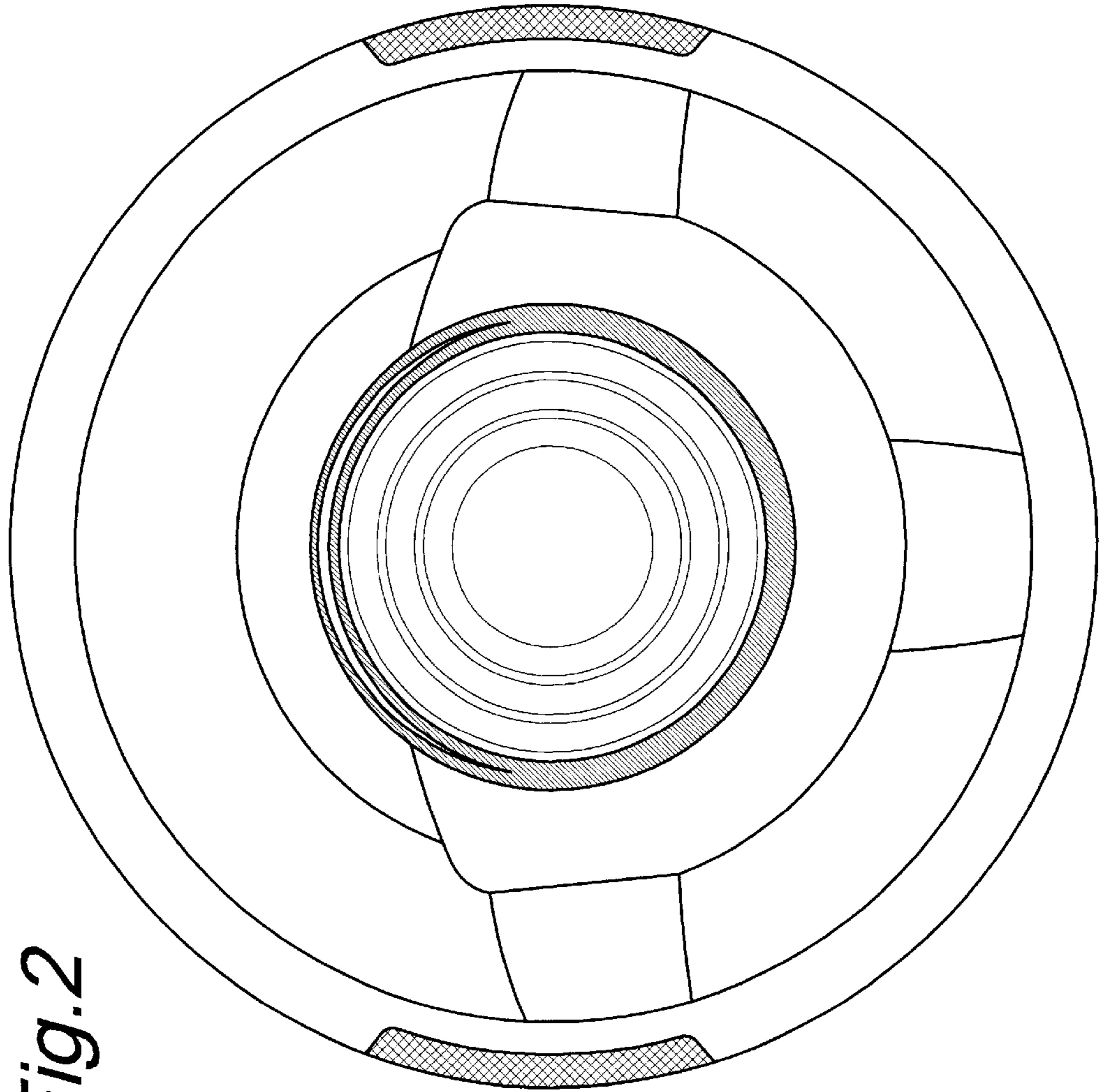


Fig. 2

Fig. 3

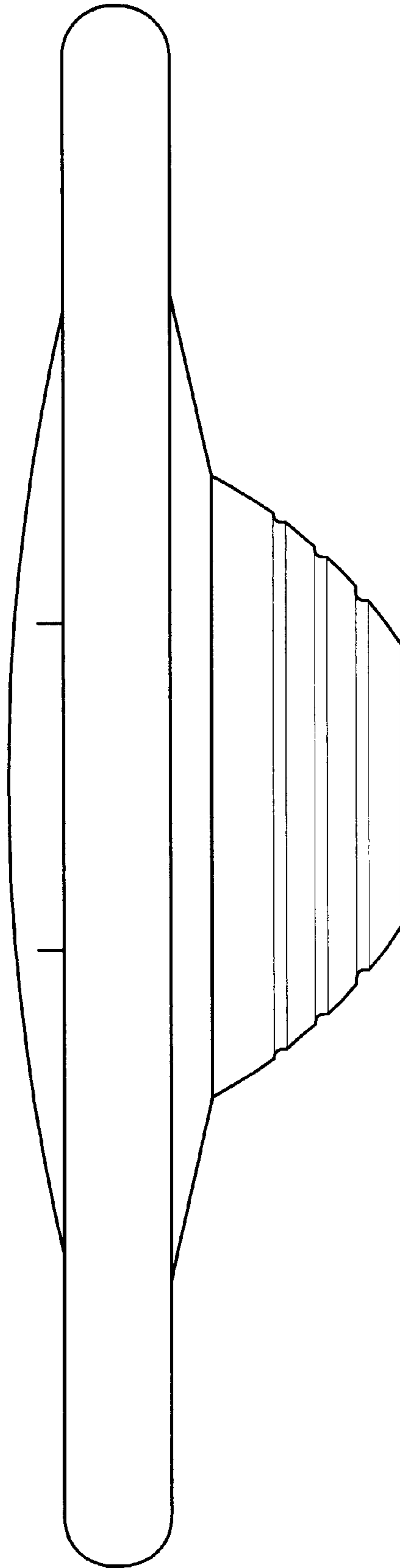


Fig. 4

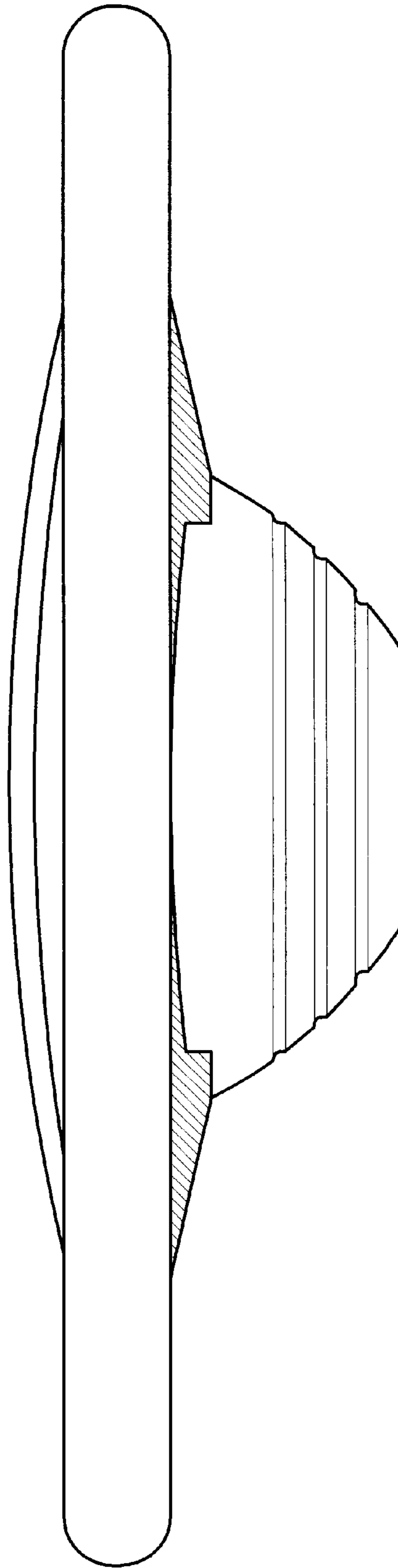


Fig. 5

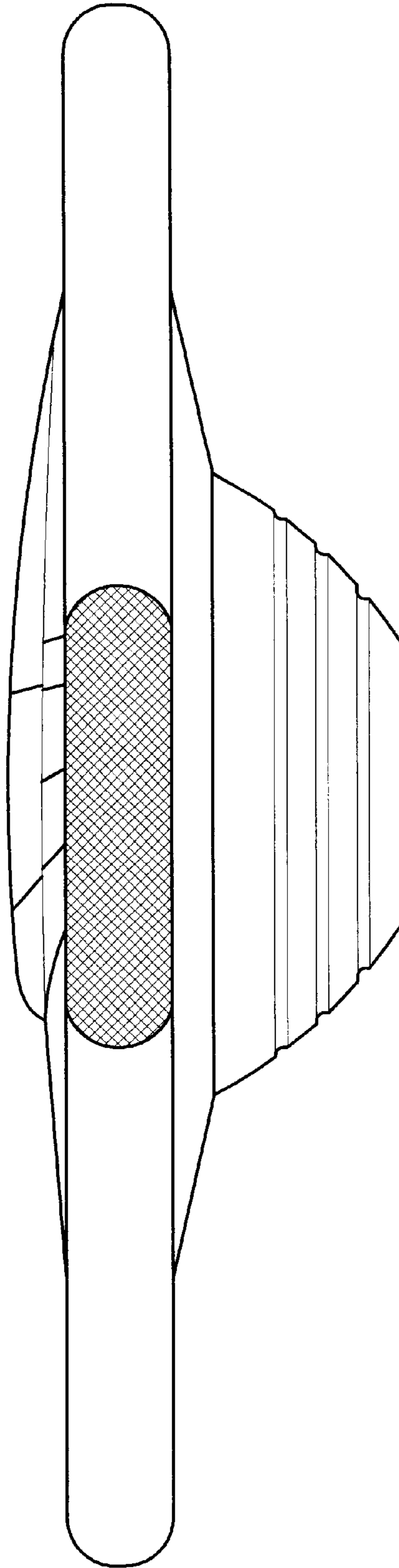


Fig. 6

