



US00D485516S

(12) **United States Design Patent**  
**McCoy et al.**

(10) **Patent No.:** **US D485,516 S**

(45) **Date of Patent:** **\*\* Jan. 20, 2004**

(54) **EXTENDED ACCESSORY SUPPORT FOR VEHICLE**

(75) Inventors: **Richard W. McCoy**, Granger, IN (US);  
**Jason R. Moldthan**, Osceola, IN (US)

(73) Assignee: **Cequent Towing Products, Inc.**,  
Plymouth, MI (US)

(\*\*) Term: **14 Years**

(21) Appl. No.: **29/183,261**

(22) Filed: **Jun. 9, 2003**

(51) **LOC (7) Cl.** ..... **12-16**

(52) **U.S. Cl.** ..... **D12/162**

(58) **Field of Search** ..... D12/162, 400,  
D12/161; 280/491.1-491.5, 414.1-414.3,  
482, 415.1, 416.1, 406, 476.1, 402, 490.1,  
493, 495, 500-501, 505, 511, 497; 296/26.08;  
224/511-512, 545-555, 564, 565, 519,  
528

(56) **References Cited**

**U.S. PATENT DOCUMENTS**

D243,000 S \* 1/1977 Carnes ..... D12/162

D365,072 S \* 12/1995 Vallance ..... D12/162  
D367,632 S \* 3/1996 Grieve ..... D12/162  
D458,196 S \* 6/2002 McCoy et al. .... D12/162  
D476,272 S \* 6/2003 Shaver et al. .... D12/162

\* cited by examiner

*Primary Examiner*—Stacia Cadmus

(74) *Attorney, Agent, or Firm*—King & Schickli, PLLC

(57) **CLAIM**

The ornamental design of an extended accessory support for vehicle, as shown and described.

**DESCRIPTION**

FIG. 1 is a perspective view of the extended accessory support for vehicle of the present invention; FIG. 2 is a front elevational view thereof; FIG. 3 is a left side elevational view thereof; FIG. 4 is a rear elevational view thereof; FIG. 5 is a right side elevational view thereof; FIG. 6 is a top plan view thereof; and, FIG. 7 is a bottom plan view thereof.

The broken line showing of environment is for illustrative purposes only and forms no part of the claimed design.

**1 Claim, 4 Drawing Sheets**

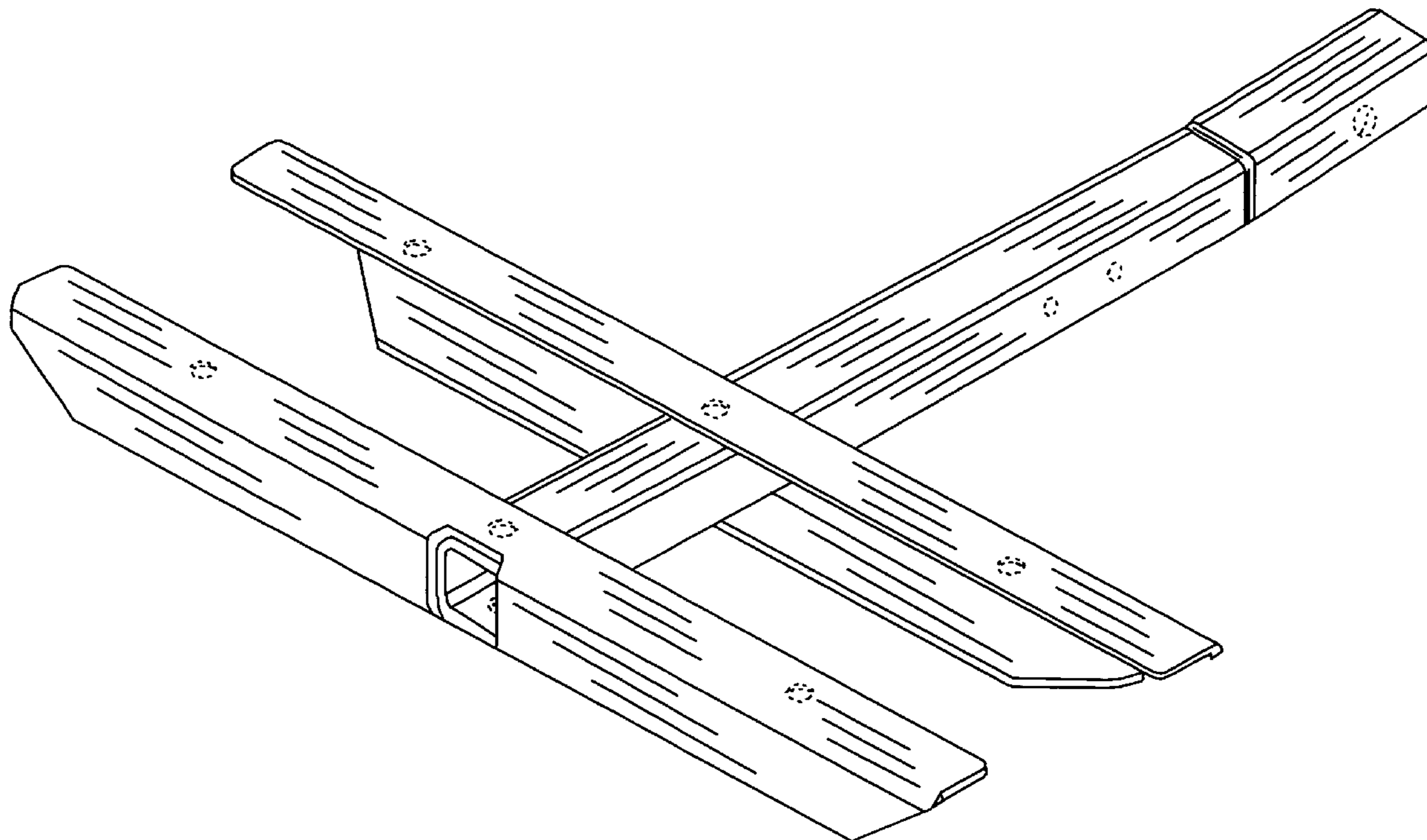


FIG. 1

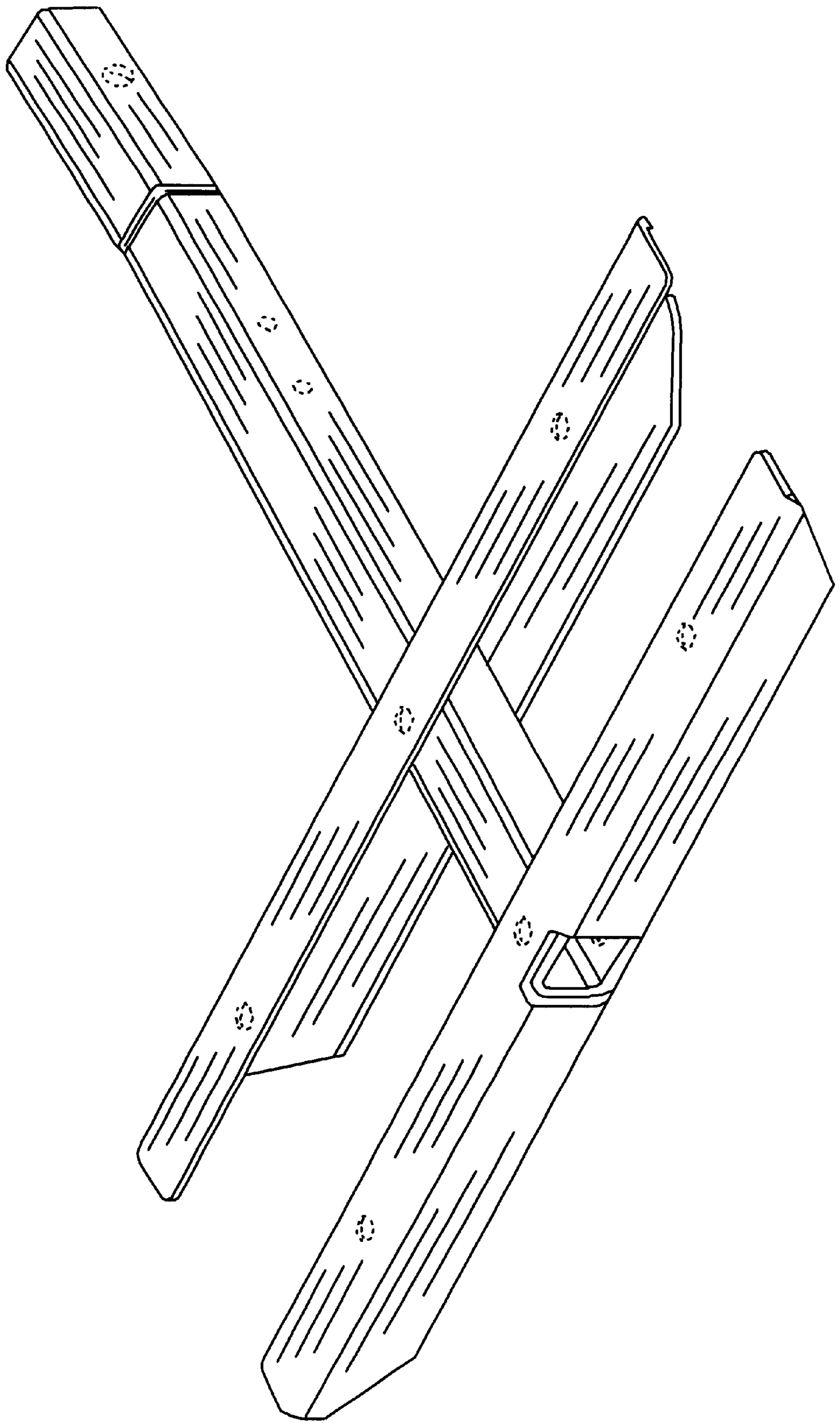


FIG. 2

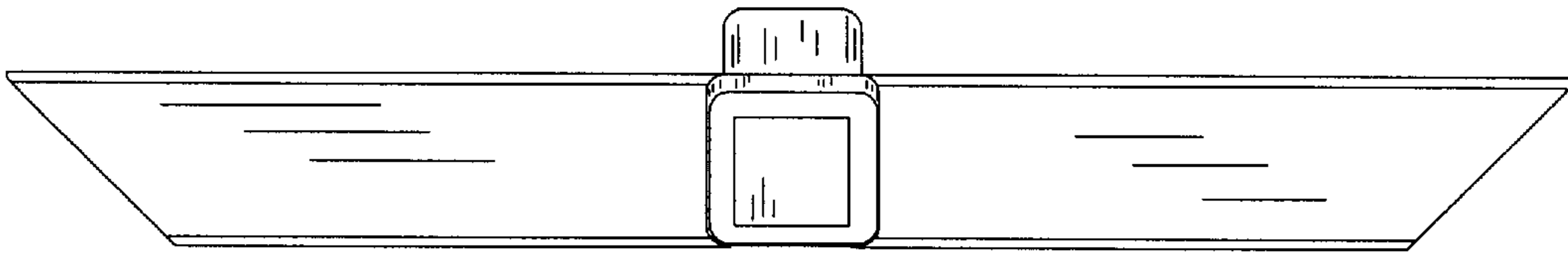


FIG. 3

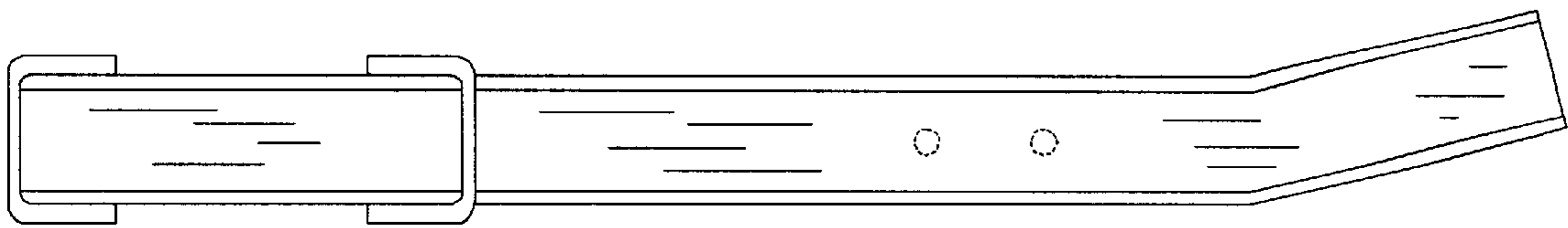


FIG. 4

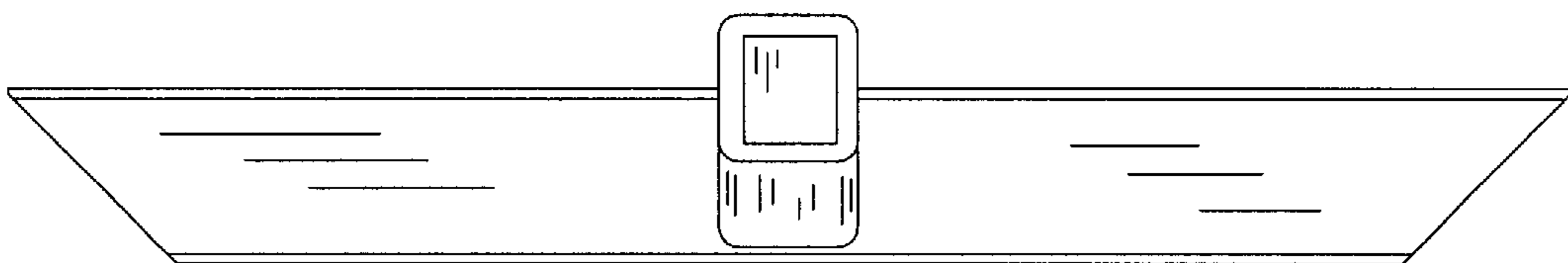


FIG. 5

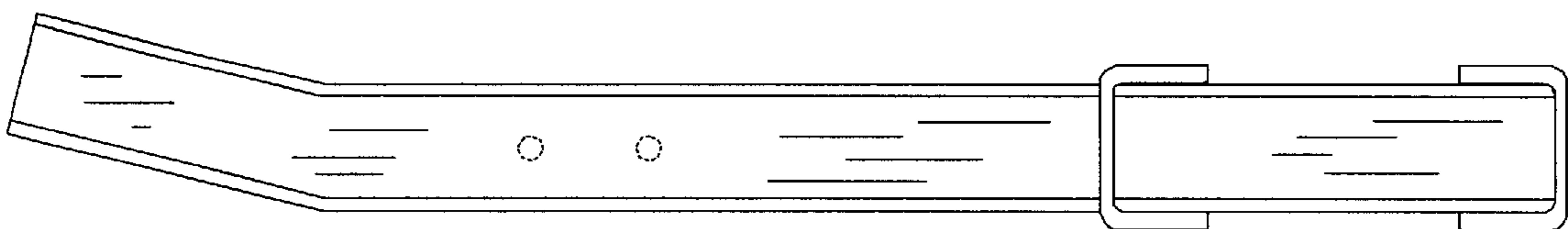


FIG. 6

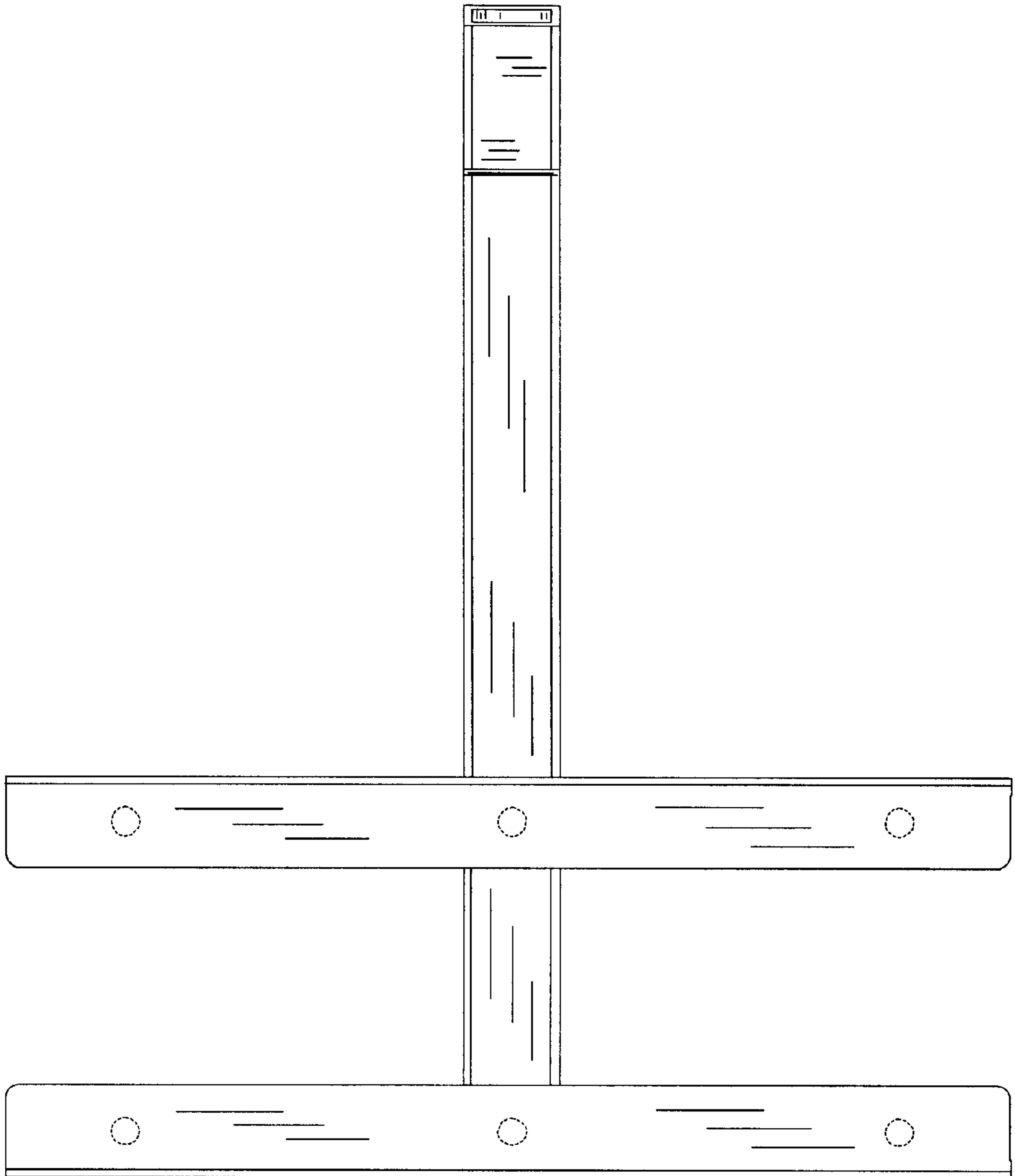


FIG. 7

