



US00D485513S

(12) **United States Design Patent**
de Oliveira

(10) **Patent No.:** **US D485,513 S**

(45) **Date of Patent:** **** Jan. 20, 2004**

(54) **TRICYCLE**

D337,973 S * 8/1993 Mariol D12/112

(75) **Inventor:** **Joaquim Matias de Oliveira,**
Guarulhos (BR)

* cited by examiner

(73) **Assignee:** **Magic Toys Do Brasil Inc. E**
Com.Ltda., Guarulhos (BR)

Primary Examiner—Alan P. Douglas

Assistant Examiner—Linda Brooks

(**) **Term:** **14 Years**

(74) *Attorney, Agent, or Firm*—Birch, Stewart, Kolasch &
Birch, LLP

(21) **Appl. No.:** **29/152,869**

(22) **Filed:** **Jan. 4, 2002**

(57) **CLAIM**

The ornamental design for a tricycle, substantially as shown
and described.

(30) **Foreign Application Priority Data**

Jul. 6, 2001 (BR) DI6101496

DESCRIPTION

(51) **LOC (7) Cl.** **12-11**

(52) **U.S. Cl.** **D12/112**

(58) **Field of Search** D12/110, 107,
D12/112, 113; 280/259, 267, 282; D21/431-435

FIG. 1 is a top plan view of the tricycle of the present
invention;

FIG. 2 is a rear view of the tricycle of the present invention;

FIG. 3 is a rear view of the tricycle of the present invention
from an elevational perspective;

FIG. 4 is a front view of the tricycle of the present invention;

FIG. 5 is a right side view of the tricycle of the present
invention, with the left side view being a mirror image
thereof;

FIG. 6 is a perspective view from the rear; and,

FIG. 7 is a perspective view from the front.

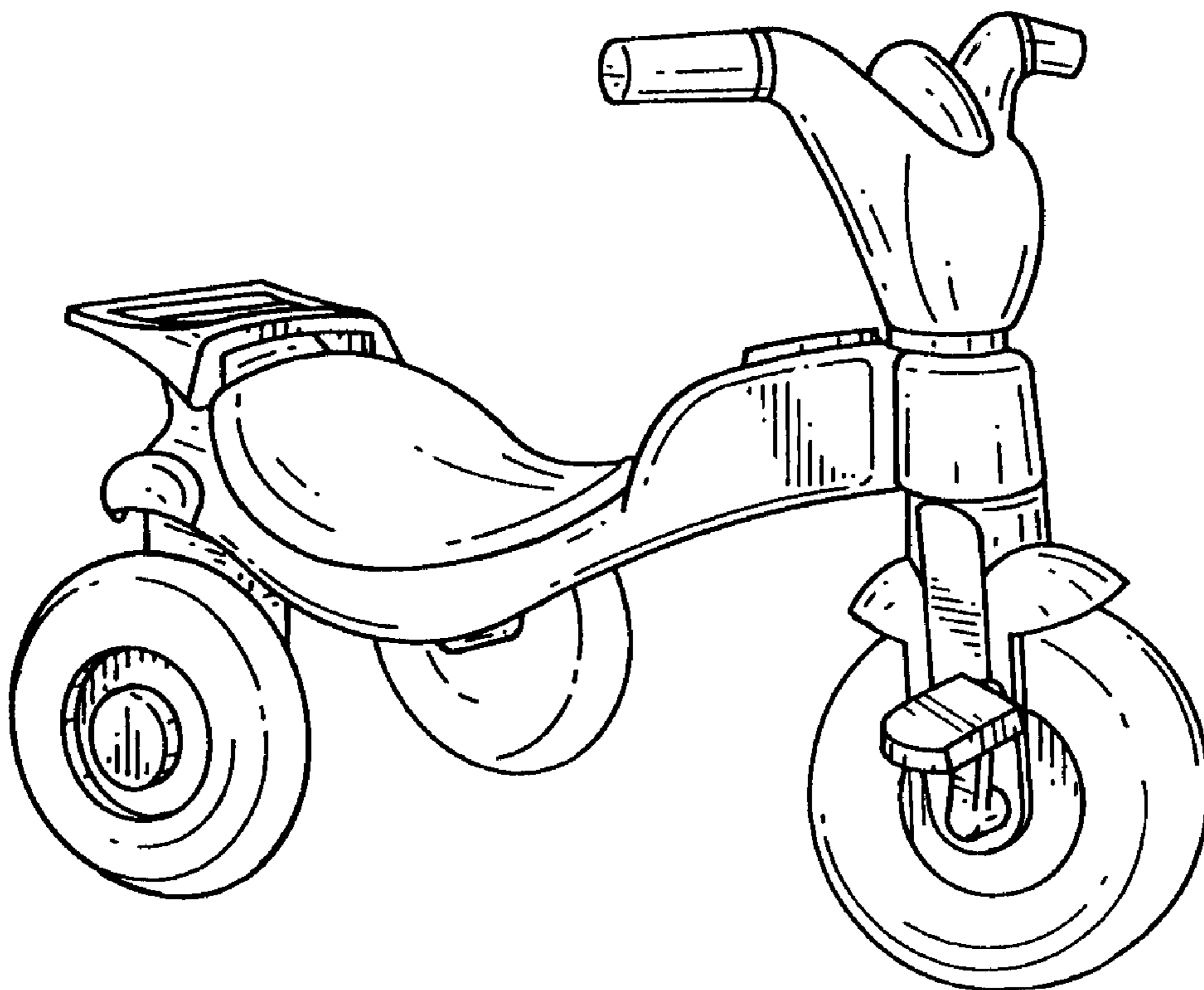
(56) **References Cited**

U.S. PATENT DOCUMENTS

D217,545 S * 5/1970 Plessinger D12/110

D281,963 S * 12/1985 Watanabe D12/110

1 Claim, 4 Drawing Sheets



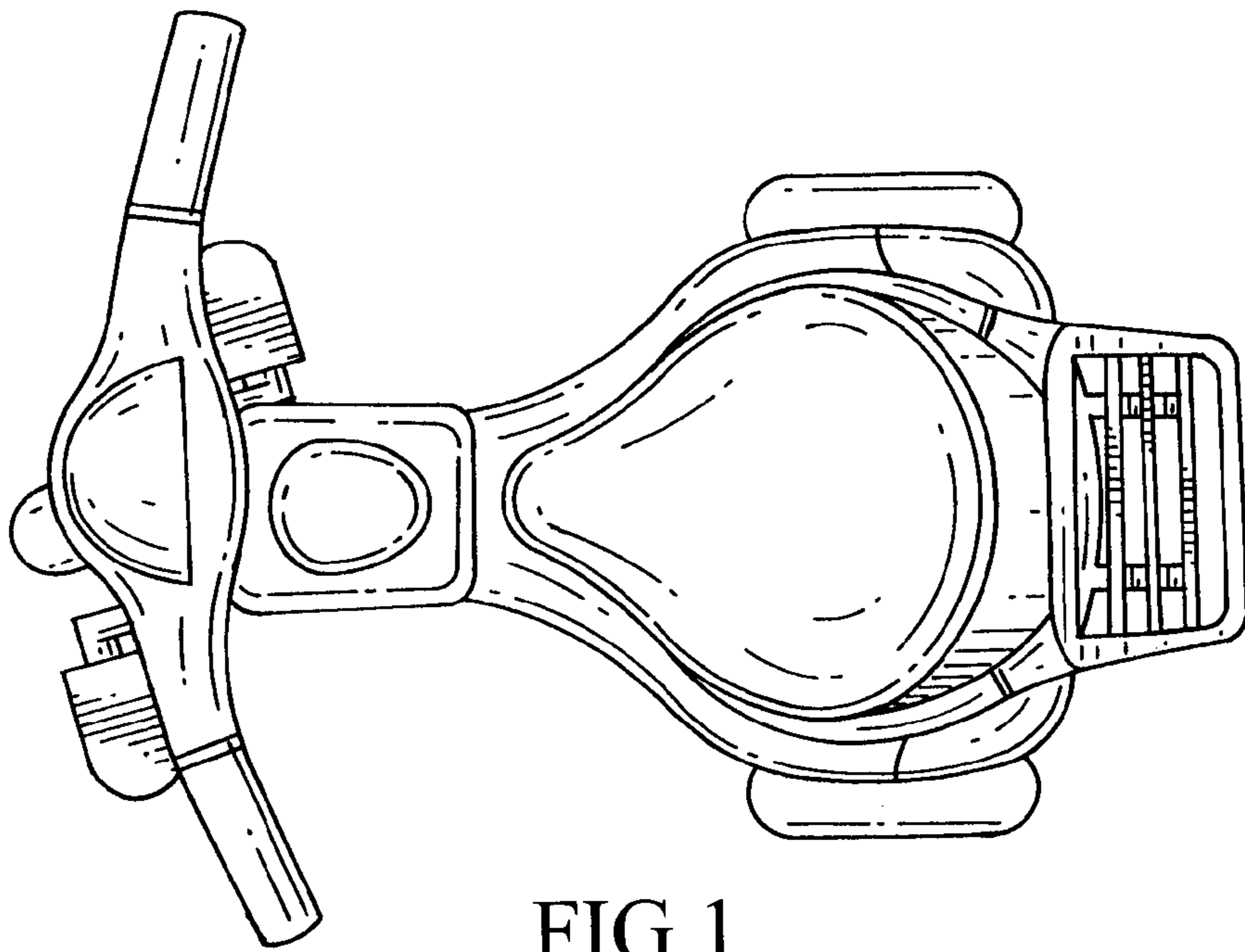


FIG.1

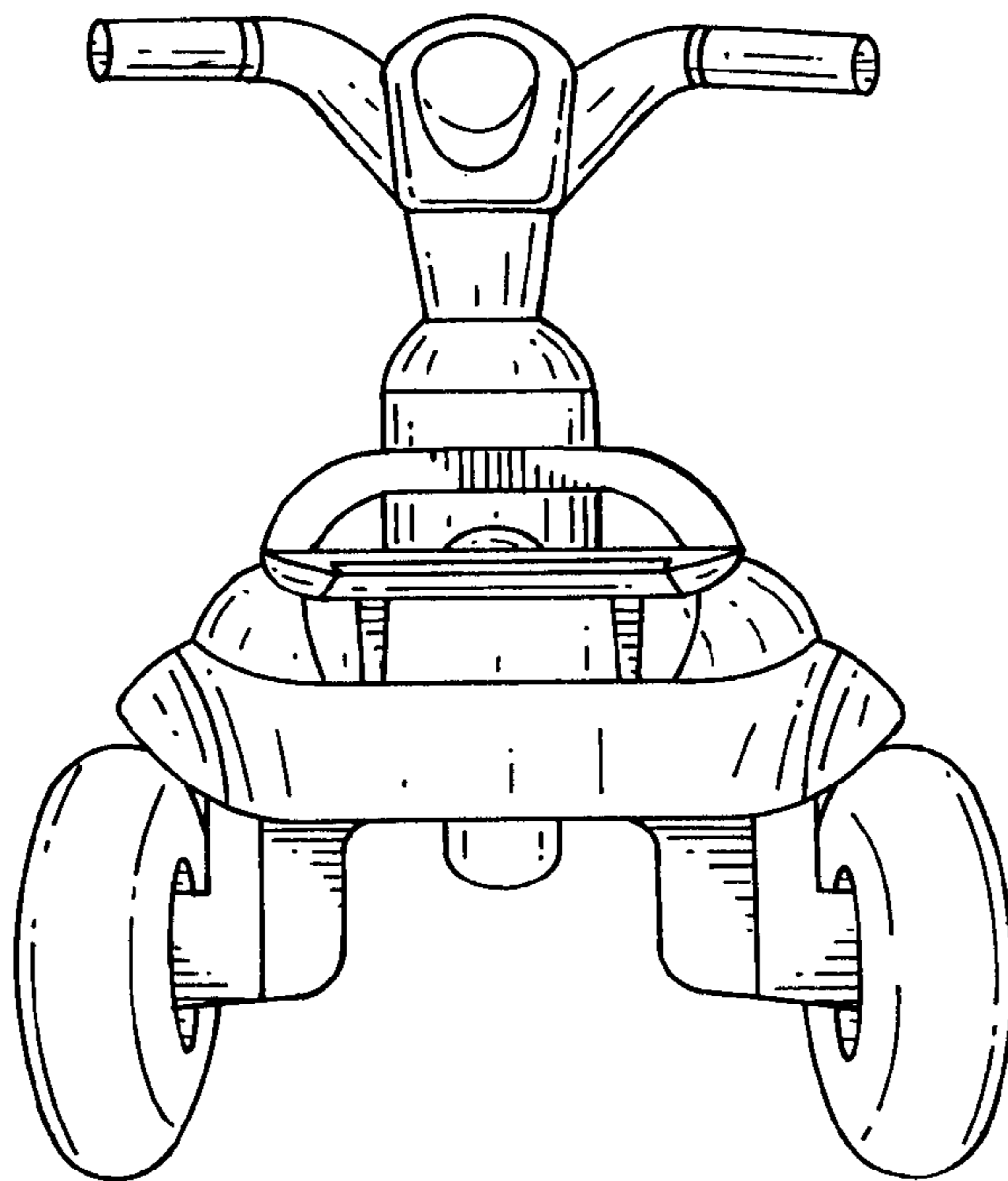


FIG.2

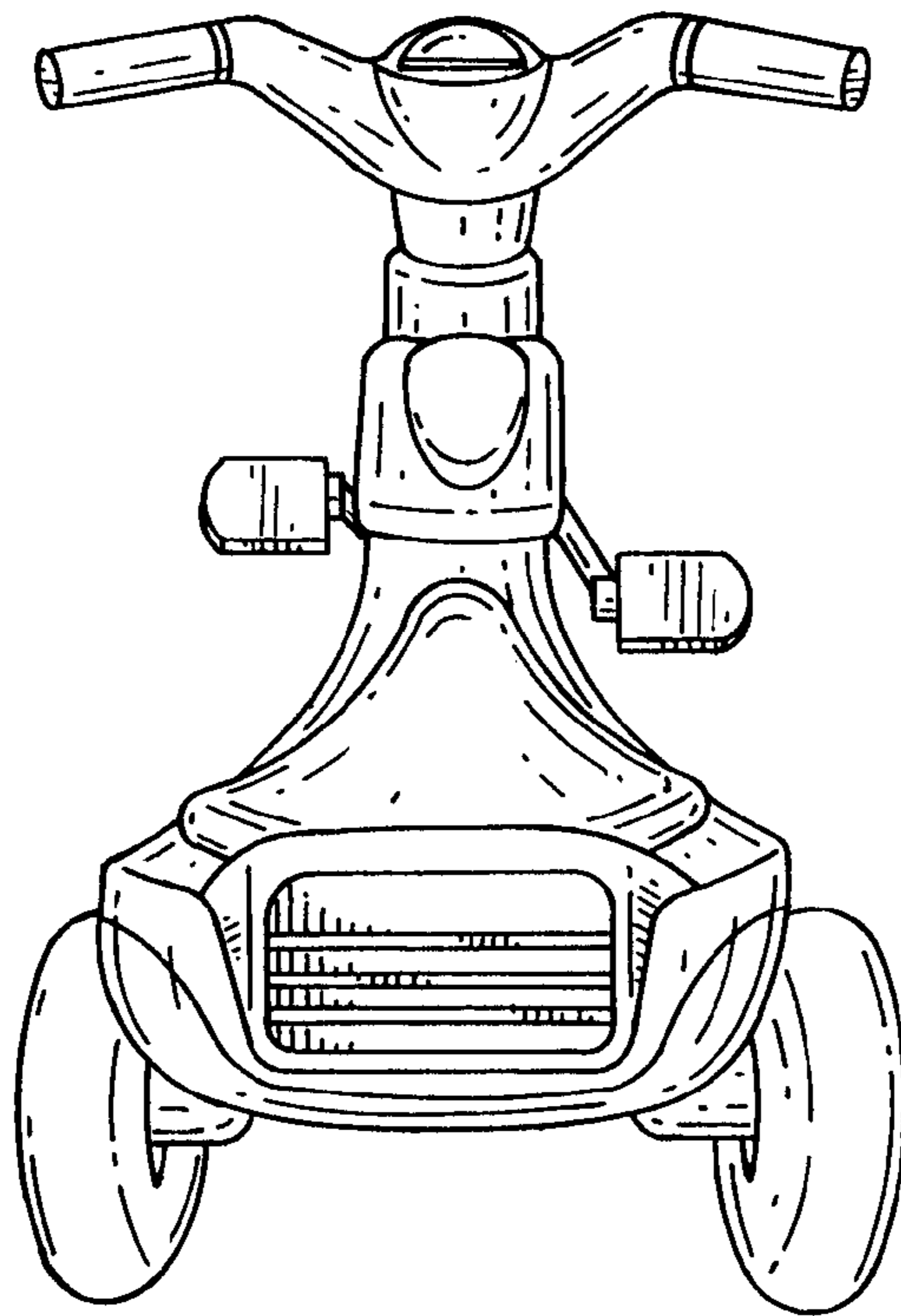


FIG.3

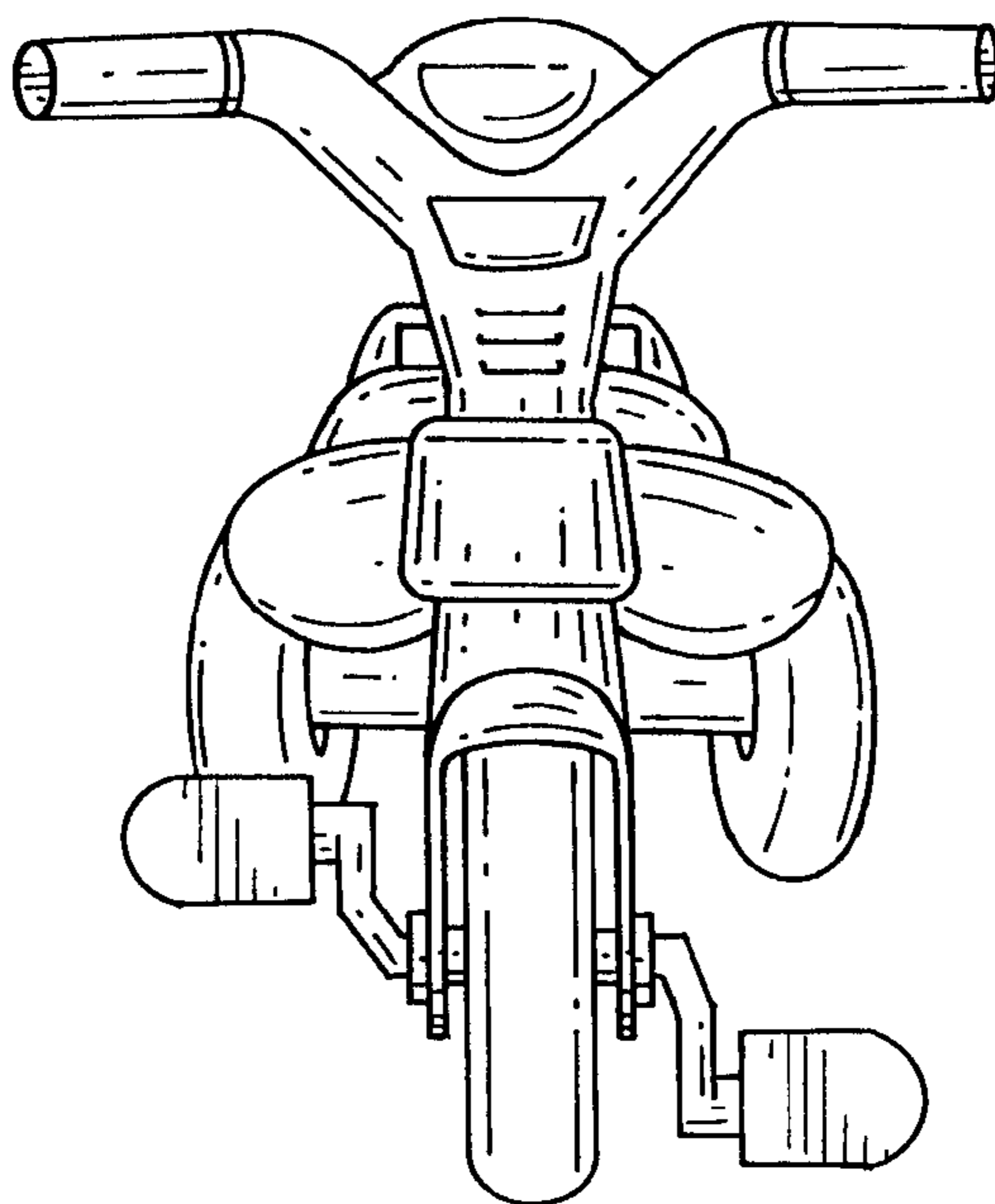


FIG.4

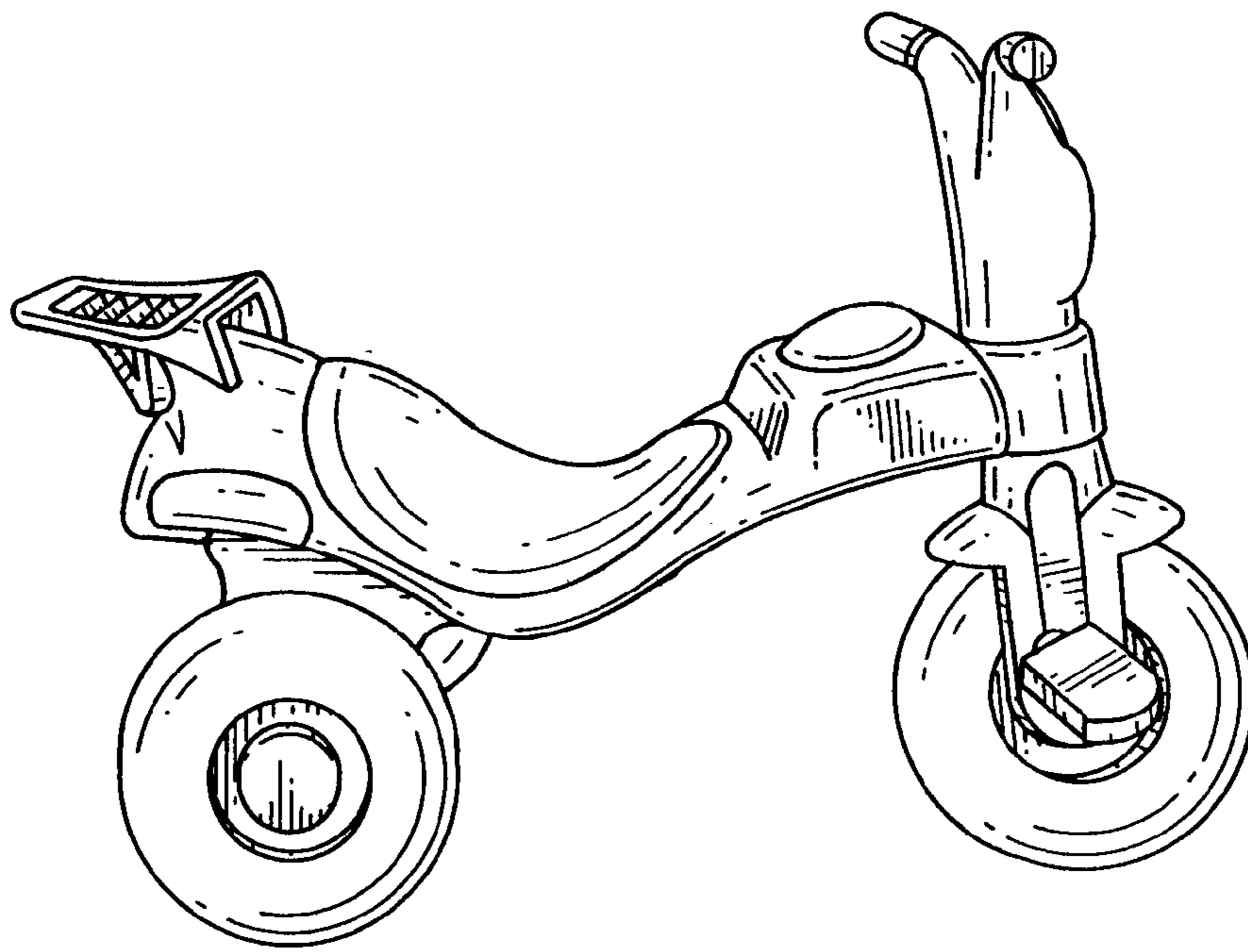


FIG.5

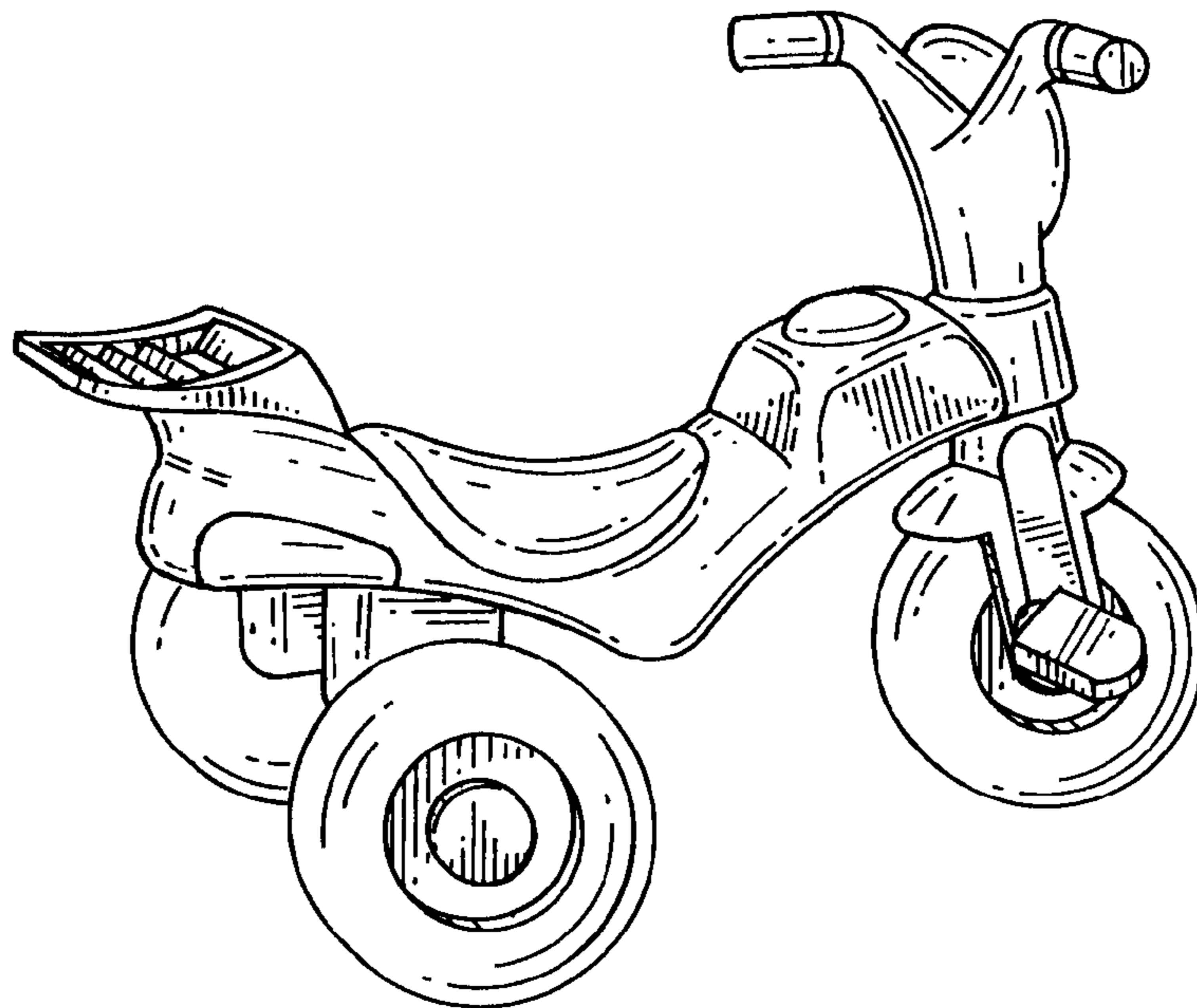


FIG.6

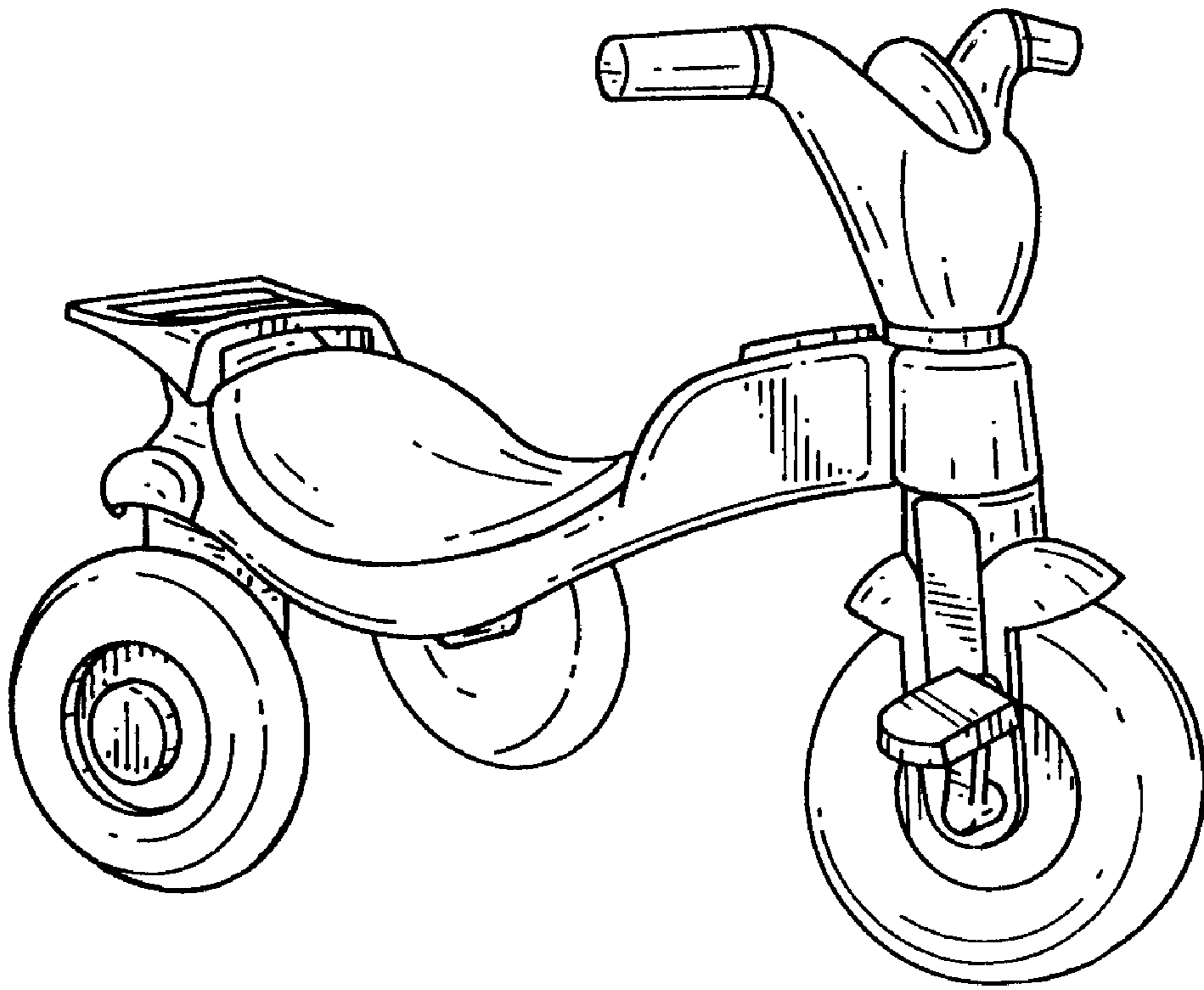


FIG. 7