



US00D485512S

(12) **United States Design Patent**  
**Liu**

(10) **Patent No.:** **US D485,512 S**

(45) **Date of Patent:** **\*\* Jan. 20, 2004**

(54) **FOLDABLE BICYCLE**

(76) Inventor: **Chong-Yong Liu**, No. 2, Alley 492, Hai Tian Rd. Sec. 2, Tainan City (TW)

(\*\*) Term: **14 Years**

(21) Appl. No.: **29/178,450**

(22) Filed: **Mar. 27, 2003**

(51) **LOC (7) Cl.** ..... **12-11**

(52) **U.S. Cl.** ..... **D12/111**

(58) **Field of Search** ..... D12/111; 280/274-280, 280/281.1, 283-288, 288.1-288.4

(56) **References Cited**

**U.S. PATENT DOCUMENTS**

D390,504 S \* 2/1998 Shih ..... D12/111  
5,813,683 A \* 9/1998 Kulhawik et al. .... 280/275

**OTHER PUBLICATIONS**

Bicycling May 1999 magazine, Montague® folding X-Series™ bicycle on p. 133.\*

\* cited by examiner

*Primary Examiner*—Alan P. Douglas

*Assistant Examiner*—Linda Brooks

(57) **CLAIM**

The ornamental design for a foldable bicycle, as shown and described.

**DESCRIPTION**

FIG. 1 is a perspective view of a foldable bicycle showing my design;

FIG. 2 is a front elevational view thereof;

FIG. 3 is a rear elevational view thereof;

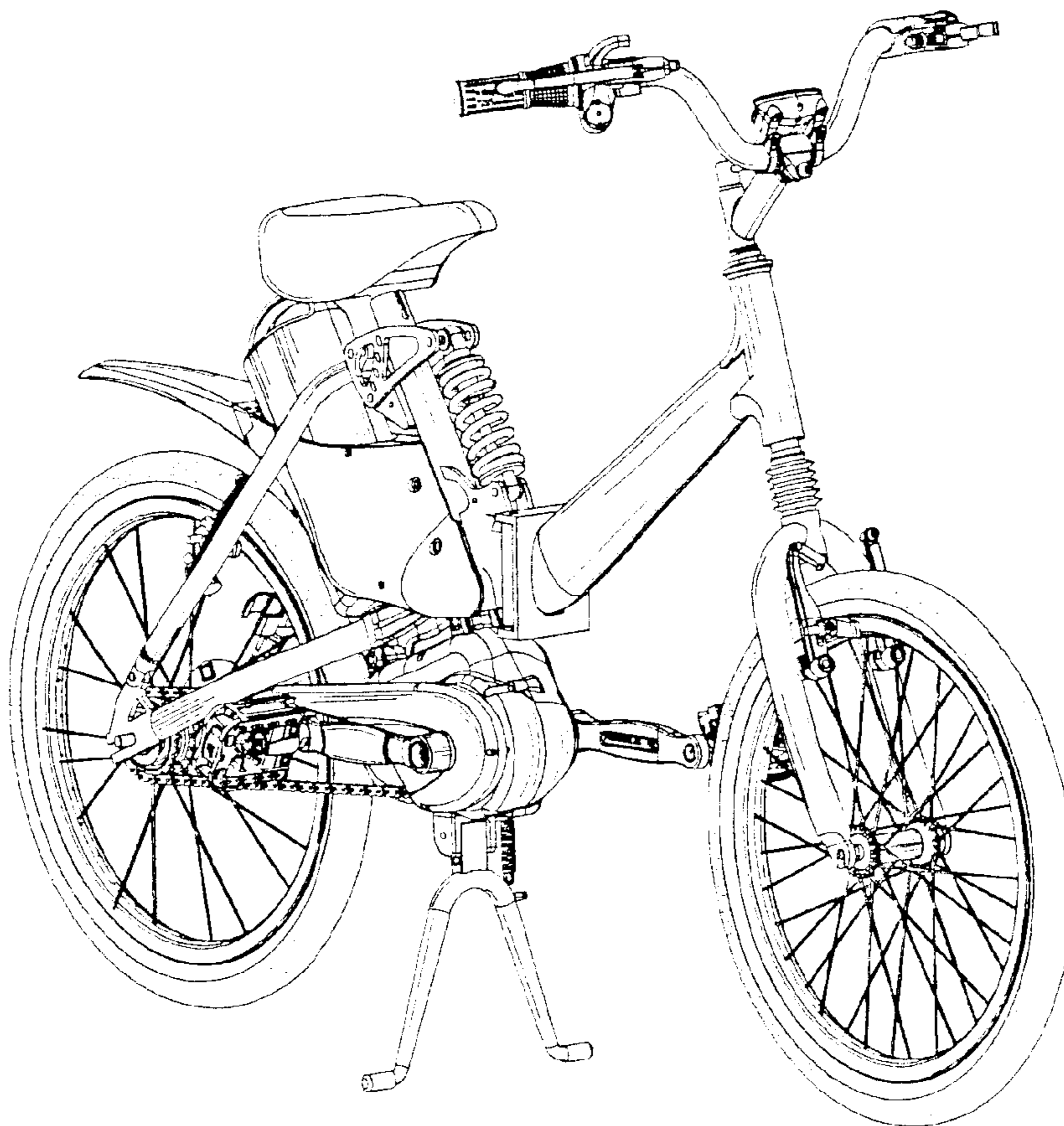
FIG. 4 is a left side elevational view thereof;

FIG. 5 is a right side elevational view thereof;

FIG. 6 is a top plan view thereof; and,

FIG. 7 is a bottom plan view thereof.

**1 Claim, 4 Drawing Sheets**



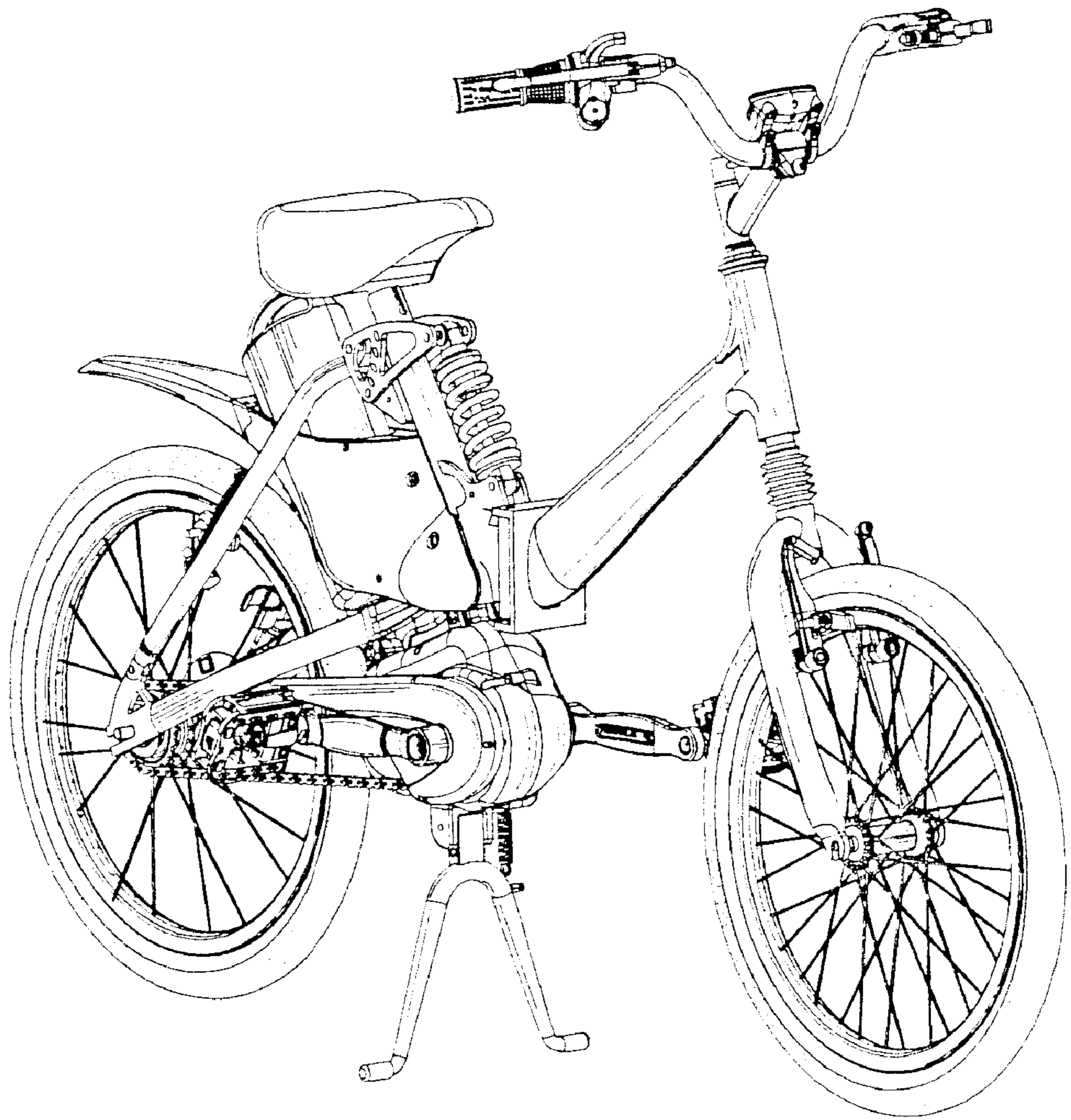


FIG. 1

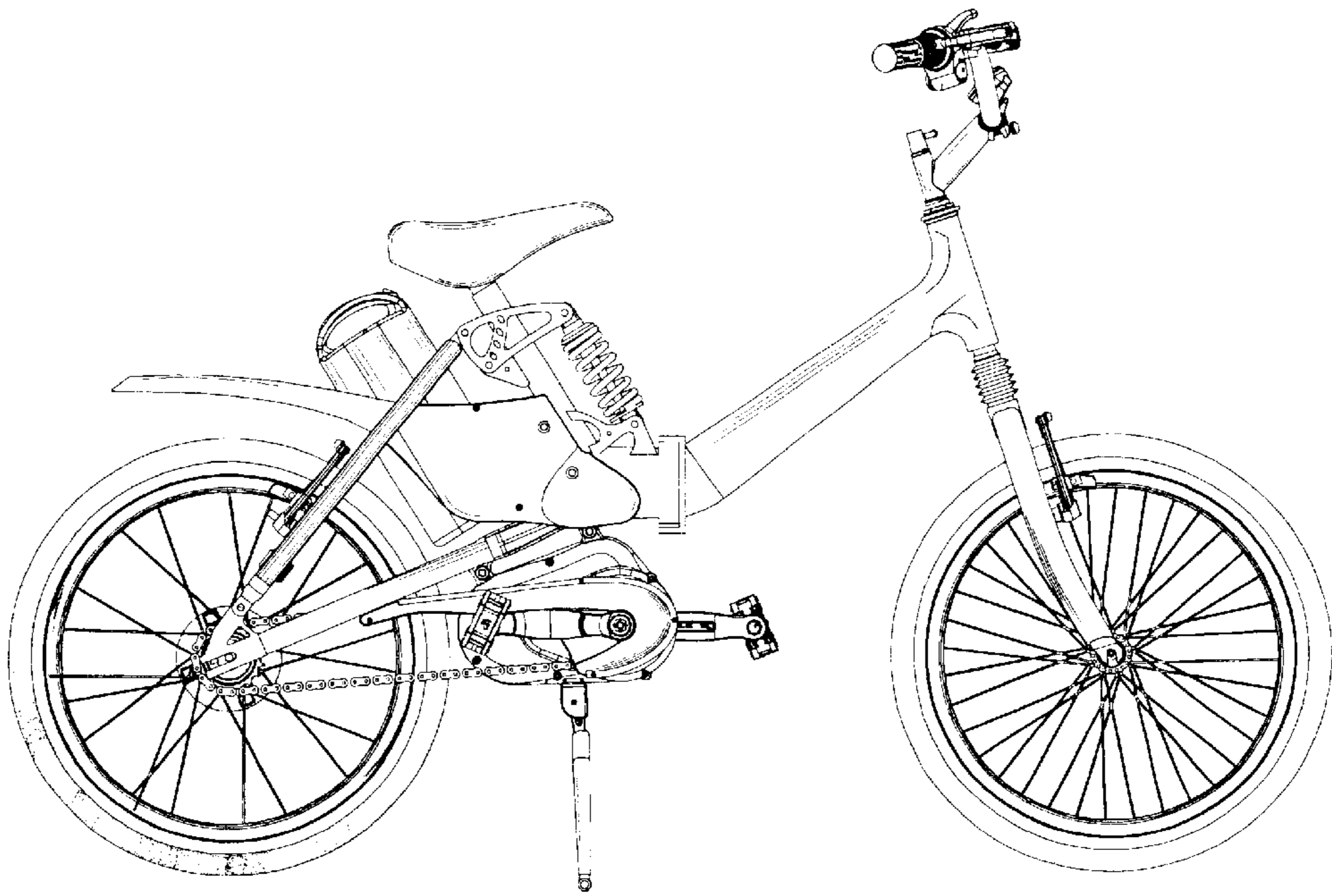


FIG. 2

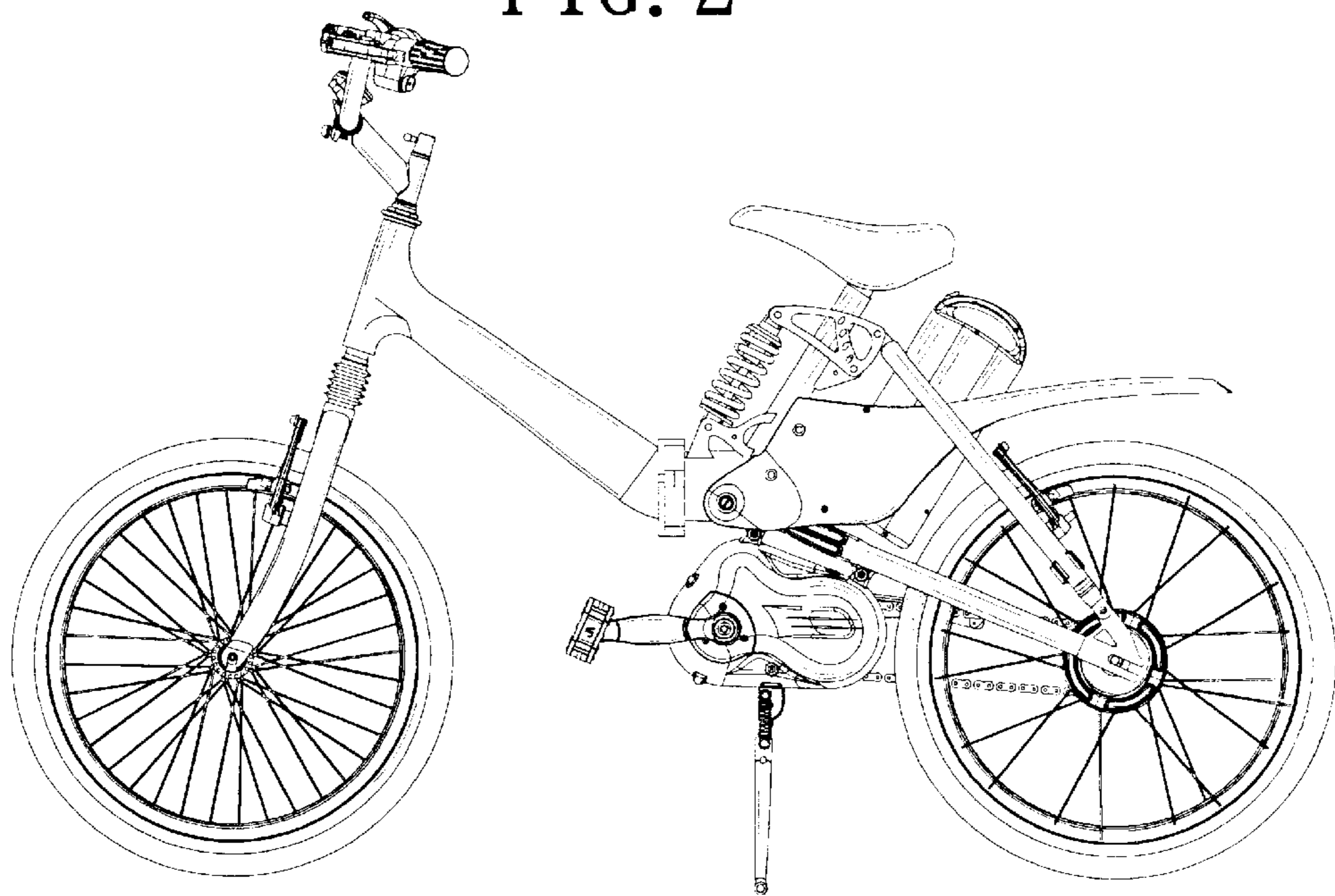


FIG. 3

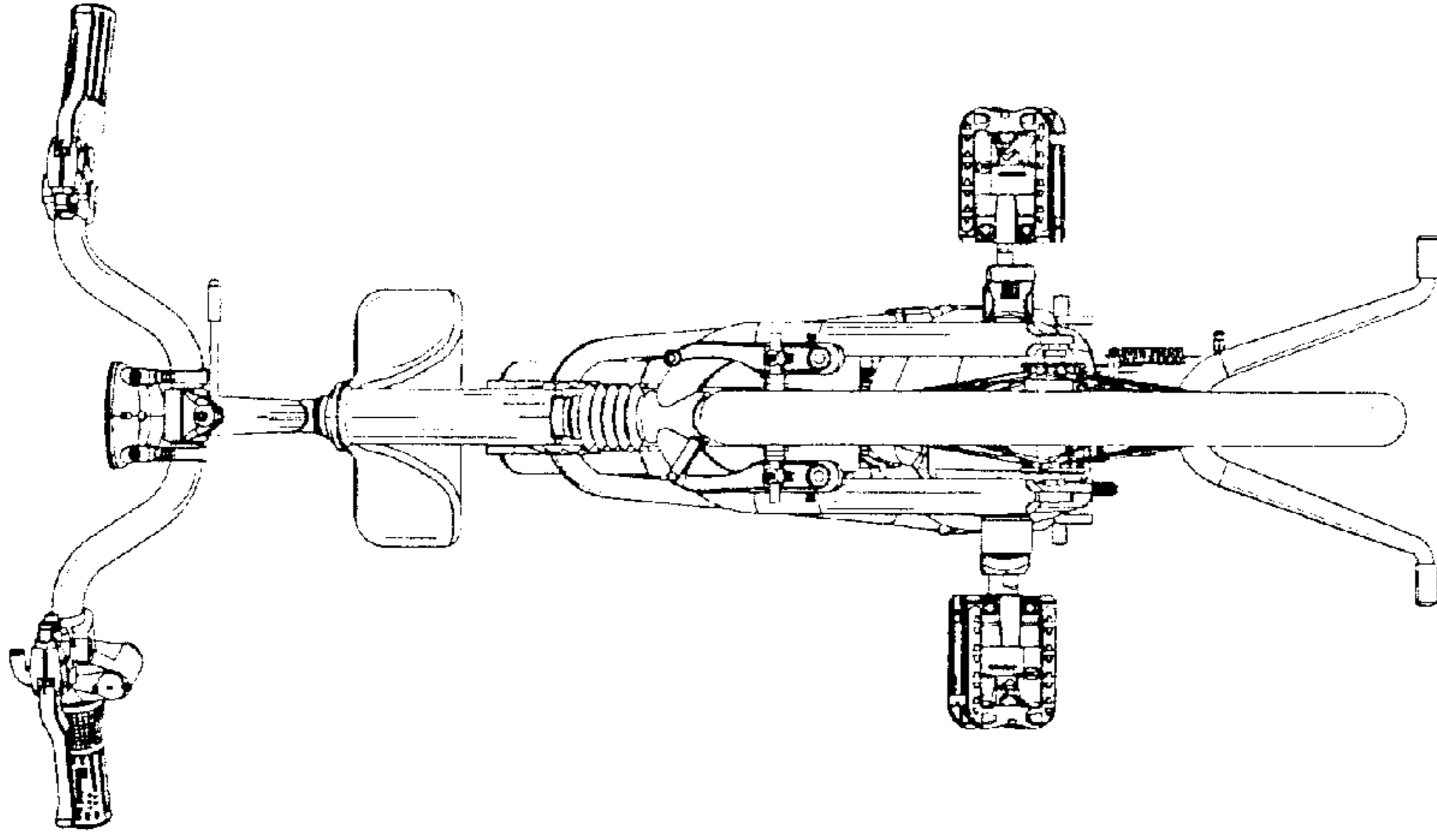


FIG. 5

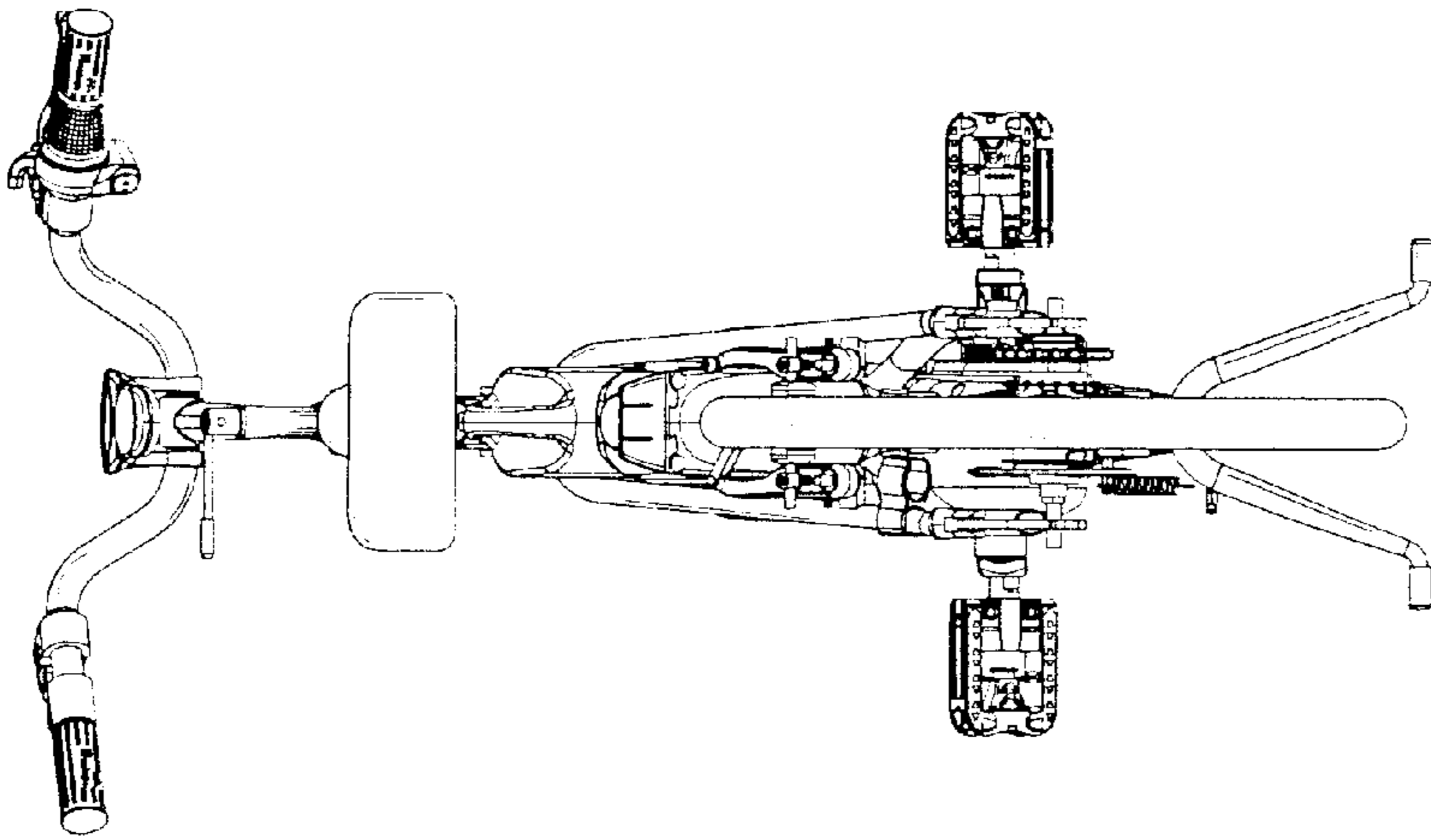


FIG. 4

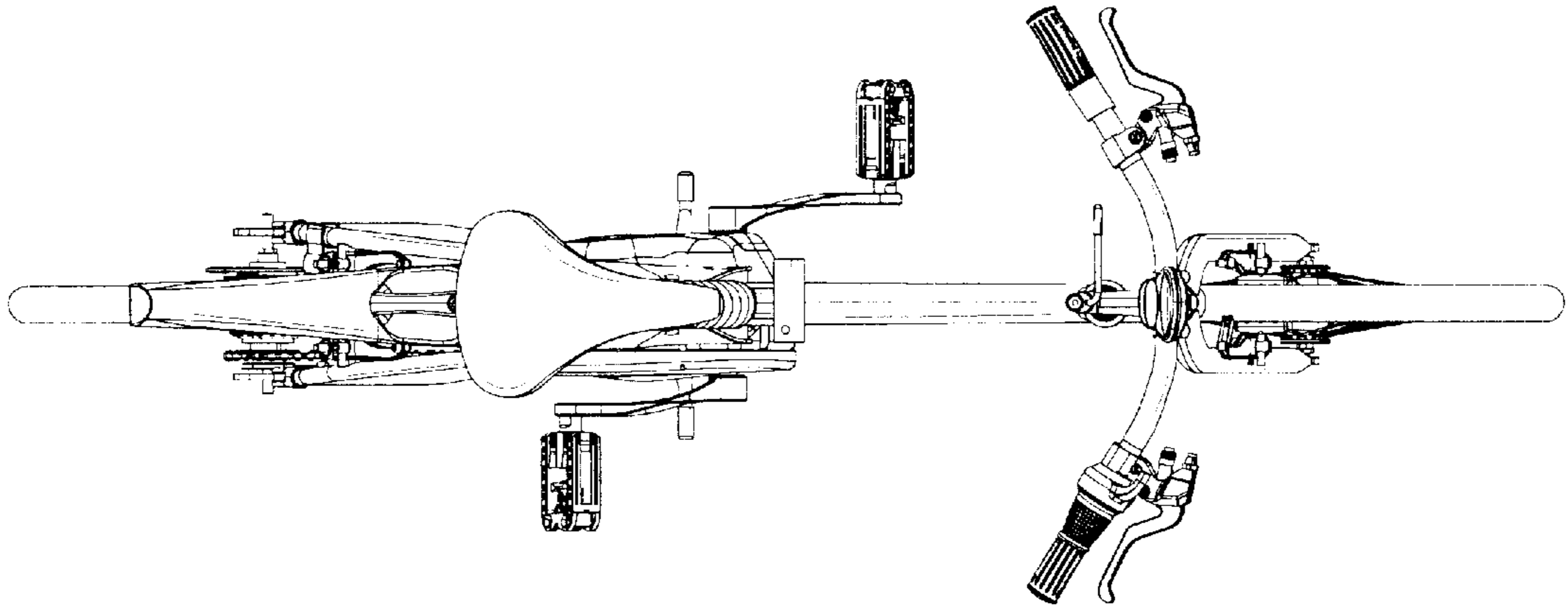


FIG. 6

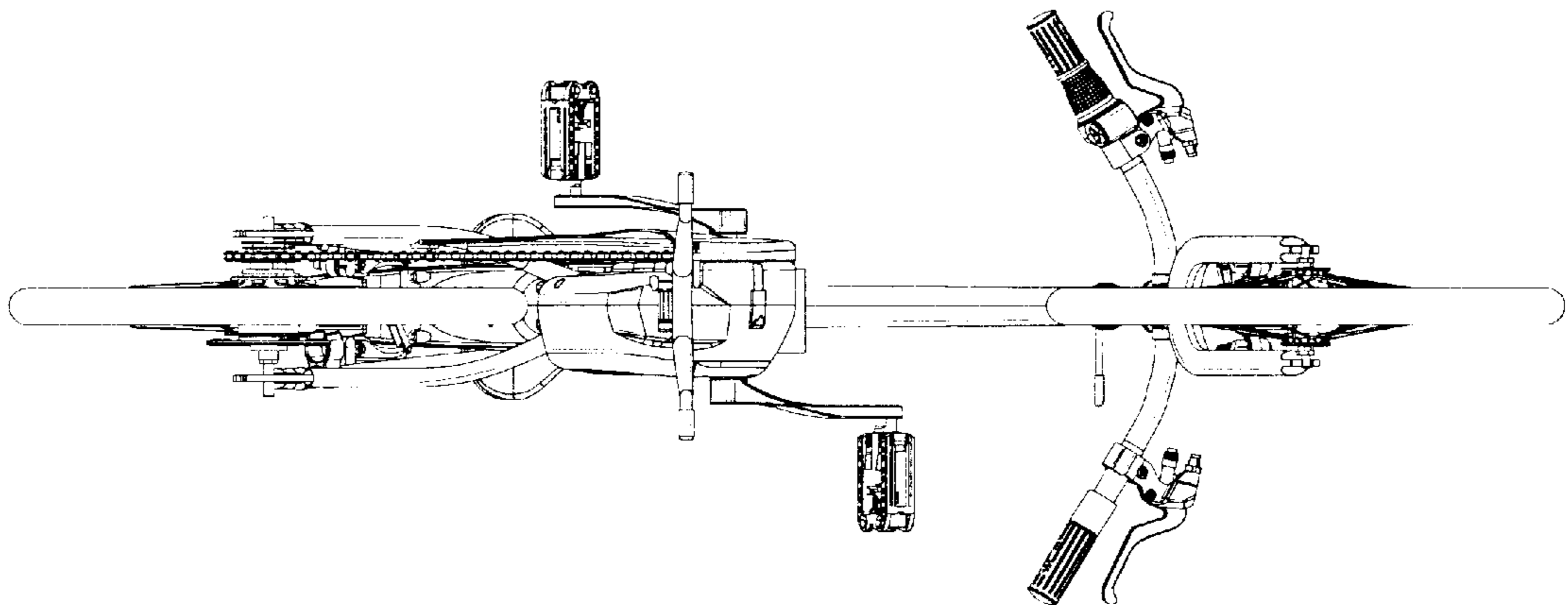


FIG. 7