



US00D485511S

(12) **United States Design Patent**
Rosencrans

(10) **Patent No.:** **US D485,511 S**

(45) **Date of Patent:** **** Jan. 20, 2004**

(54) **FOLDING PLASTIC NOVELTY ITEM**

(76) **Inventor:** **Ron J. Rosencrans**, 558 Riversville Rd., Greenwich, CT (US) 06831

(**) **Term:** **14 Years**

(21) **Appl. No.:** **29/180,063**

(22) **Filed:** **Apr. 18, 2003**

(51) **LOC (7) Cl.** **11-02**

(52) **U.S. Cl.** **D11/163; D21/558**

(58) **Field of Search** D11/131, 138, D11/142, 157, 163; D21/493, 533, 541, 552, 558, 495, 479; D9/307, 308; D3/271; D20/29, 35; 446/76, 78-80, 85, 88, 93-96, 108, 109, 112-116, 124, 128, 434, 487, 488; 229/116.1, 116.4, 922; 206/457

(56) **References Cited**

U.S. PATENT DOCUMENTS

D74,522 S	*	2/1928	Rozowsky	D9/308
D95,726 S	*	5/1935	Andrews	D9/308
2,311,123 A	*	2/1943	Osborne	446/434
4,304,066 A	*	12/1981	Brand et al.	446/434
D282,032 S	*	1/1986	Lemmeyer	D21/552 X
4,643,697 A	*	2/1987	Sheffer	446/488

4,646,959 A	*	3/1987	Sheffer	229/8
4,661,082 A	*	4/1987	Sheffer	446/488
4,807,802 A	*	2/1989	Williams	446/93 X
D334,222 S	*	3/1993	Krebs	D21/552
D439,151 S	*	3/2001	Davis	D9/308

* cited by examiner

Primary Examiner—Philip S. Hyder

Assistant Examiner—C Tuttle

(74) *Attorney, Agent, or Firm*—Gordon & Jacobson, P.C.

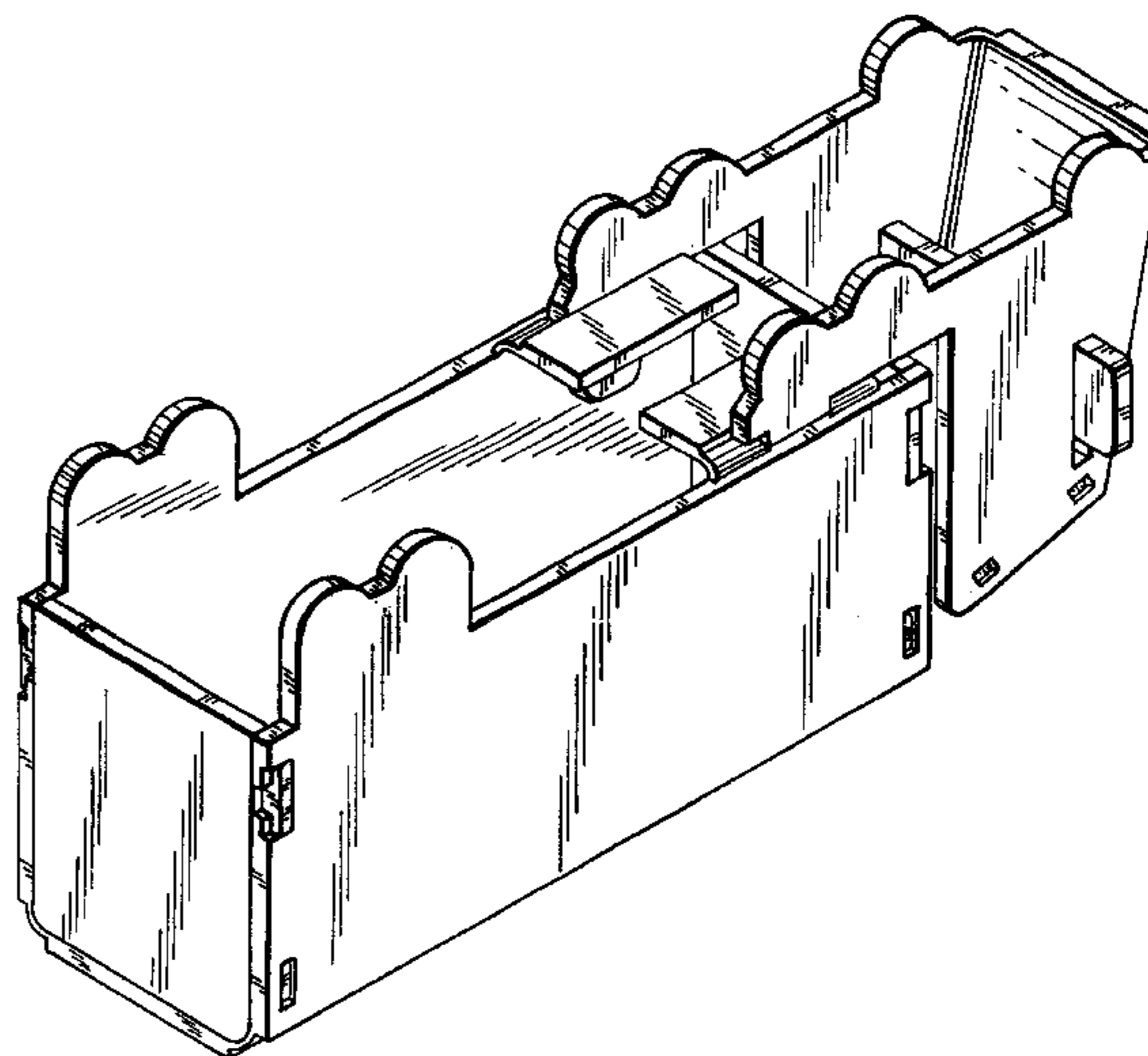
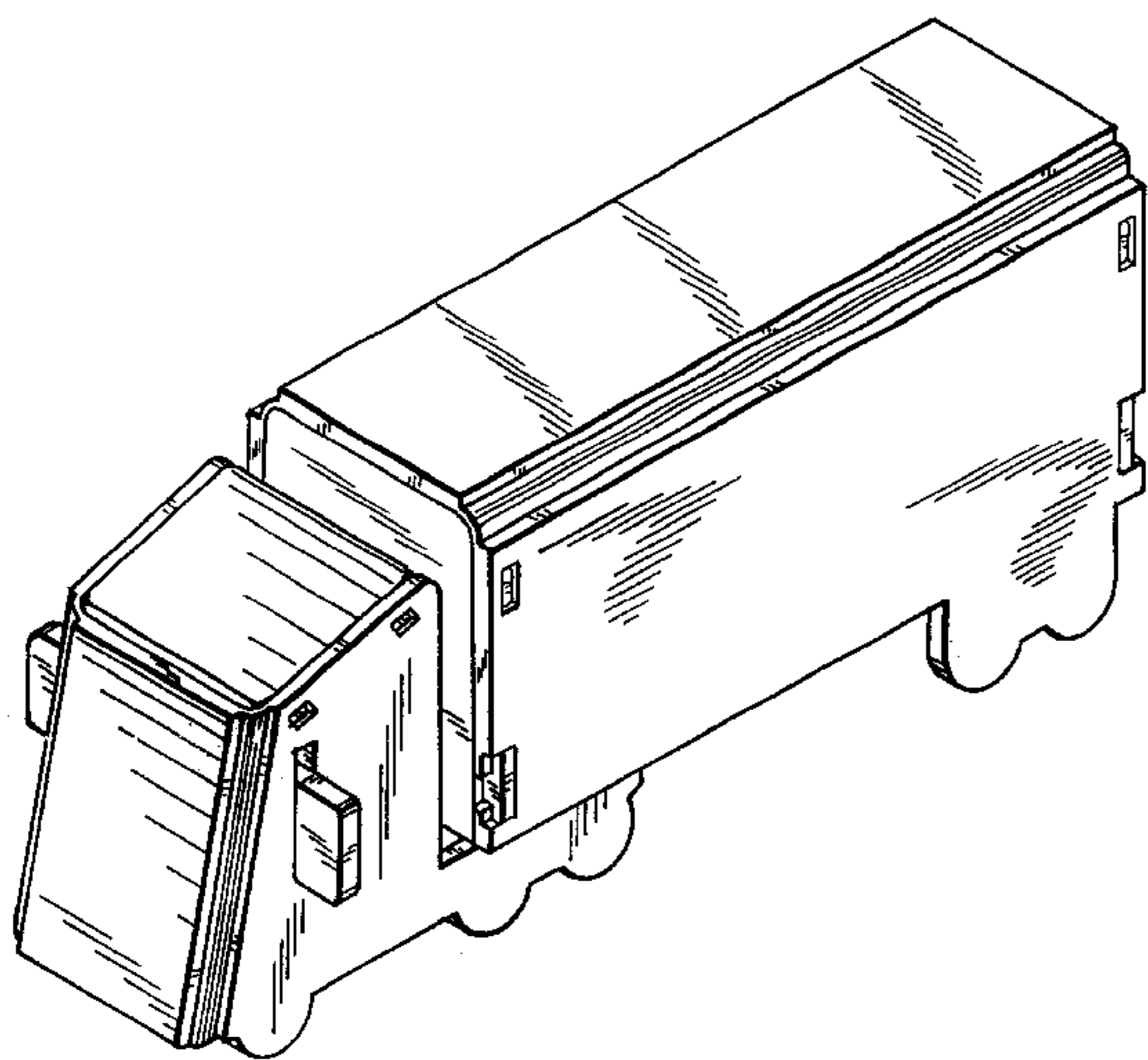
(57) **CLAIM**

The ornamental design for a folding plastic novelty item, as shown and described.

DESCRIPTION

FIG. 1 is a top perspective view of a folding plastic novelty item, showing my new design;
 FIG. 2 is a bottom perspective view thereof;
 FIG. 3 is a right side elevational view thereof, the left side being a mirror image;
 FIG. 4 is a top plan view thereof;
 FIG. 5 is a front elevational view thereof;
 FIG. 6 is a rear elevational view thereof; and,
 FIG. 7 is a bottom plan view thereof.

1 Claim, 4 Drawing Sheets



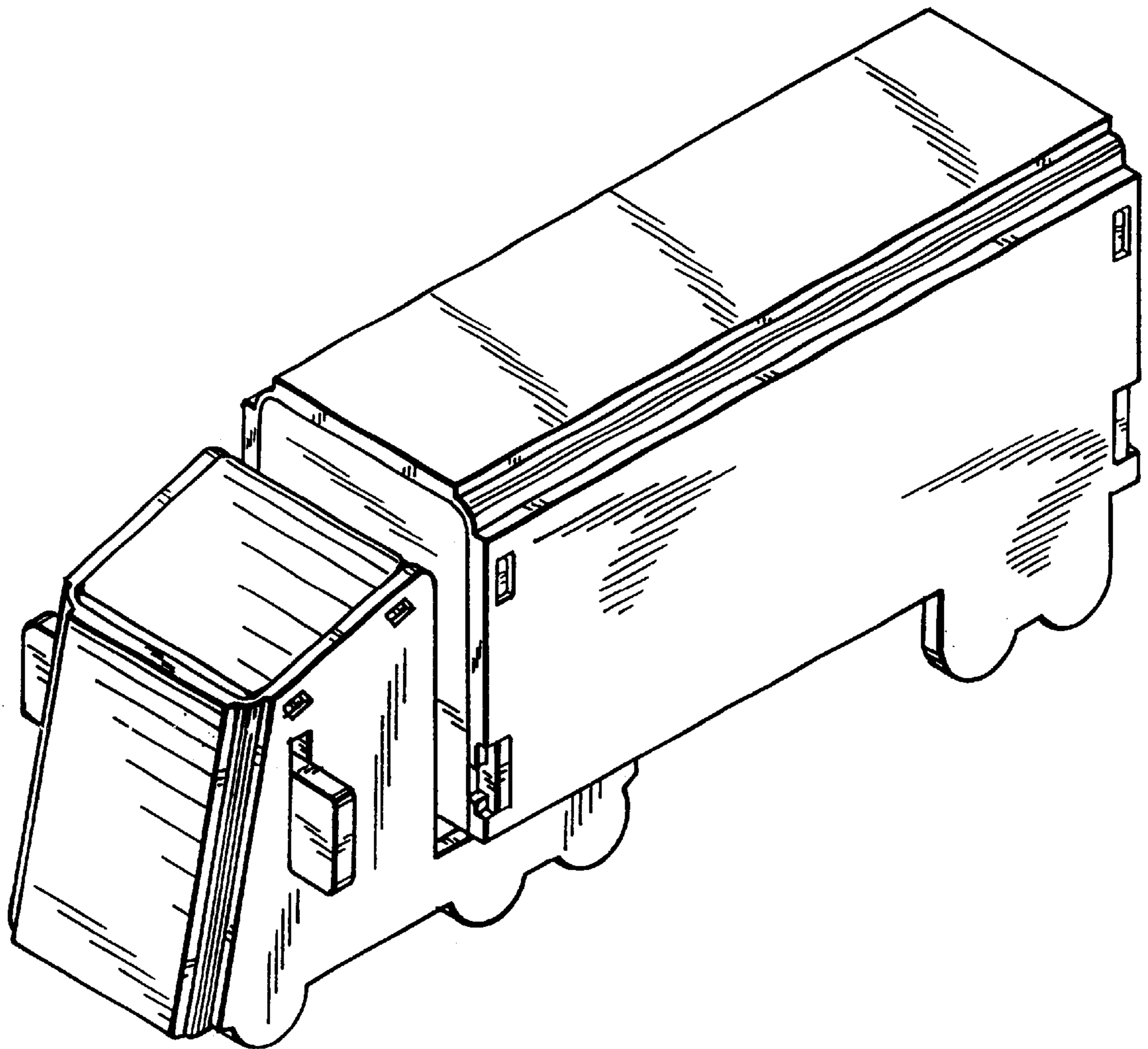


FIG. 1

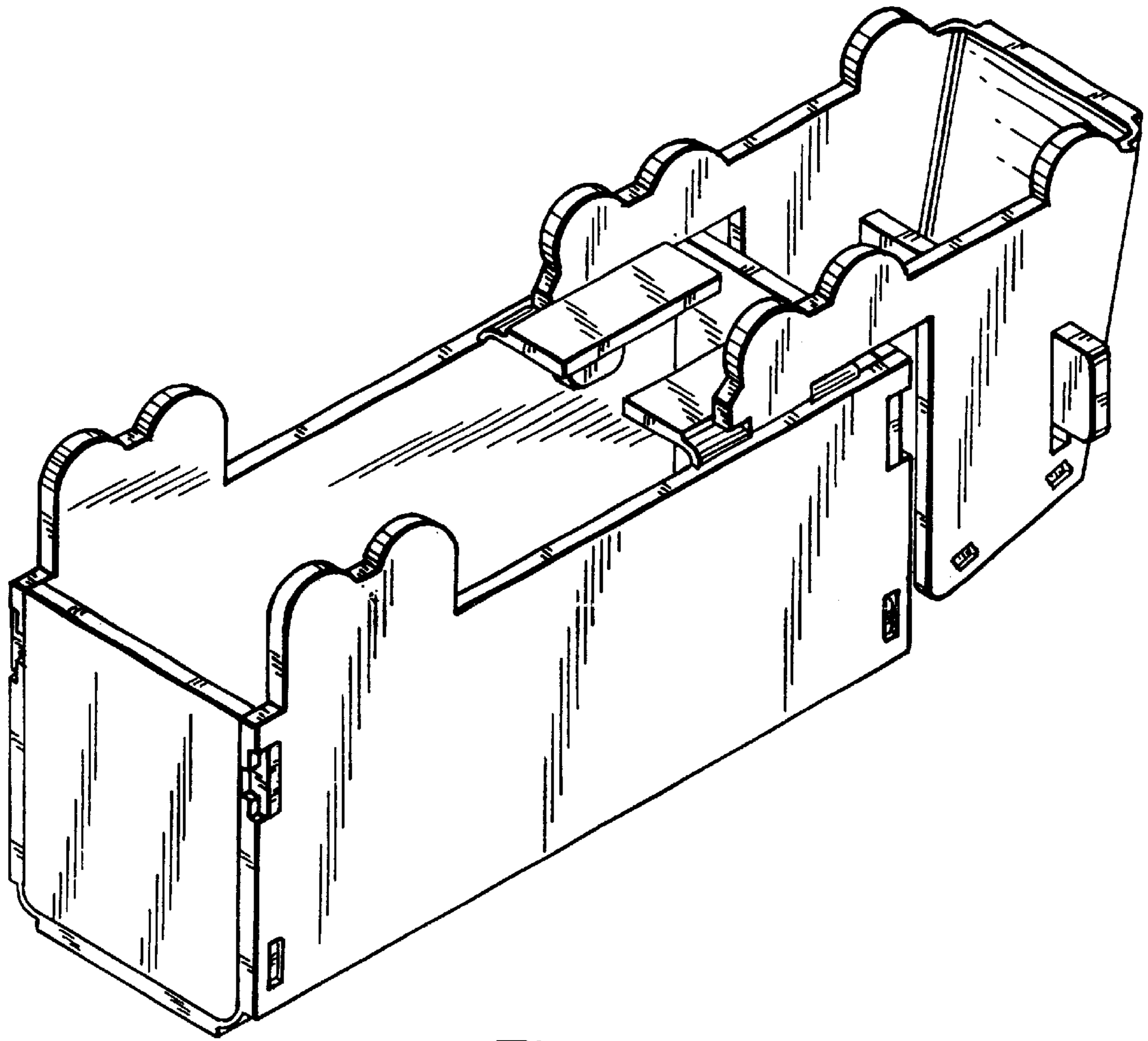


FIG. 2

FIG. 3

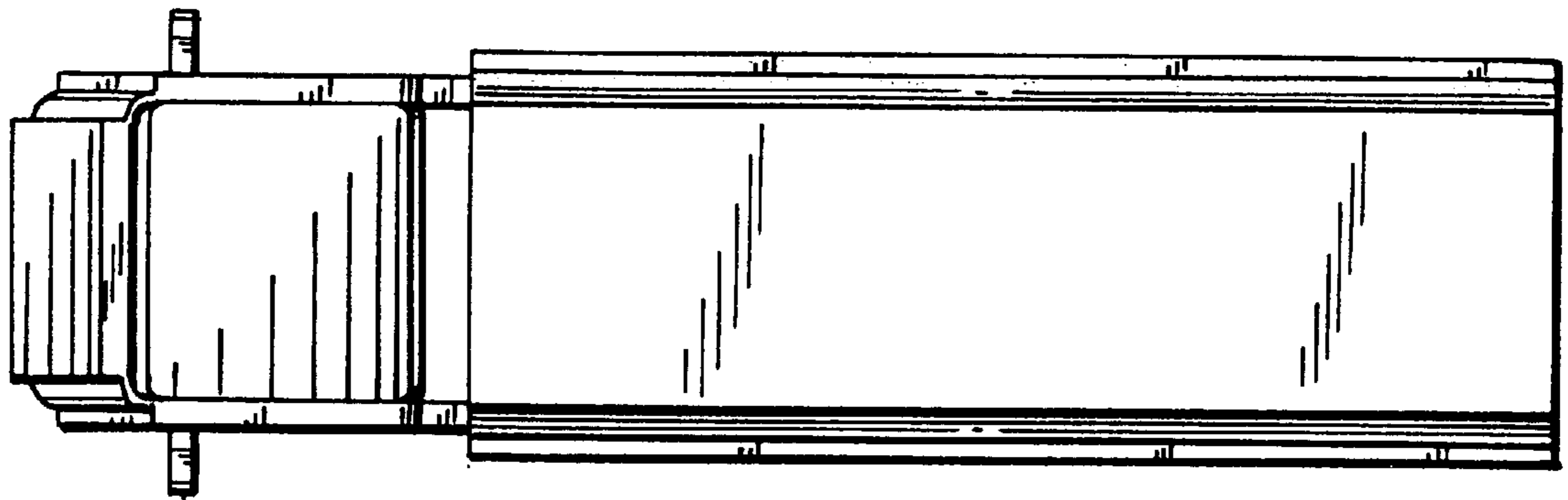
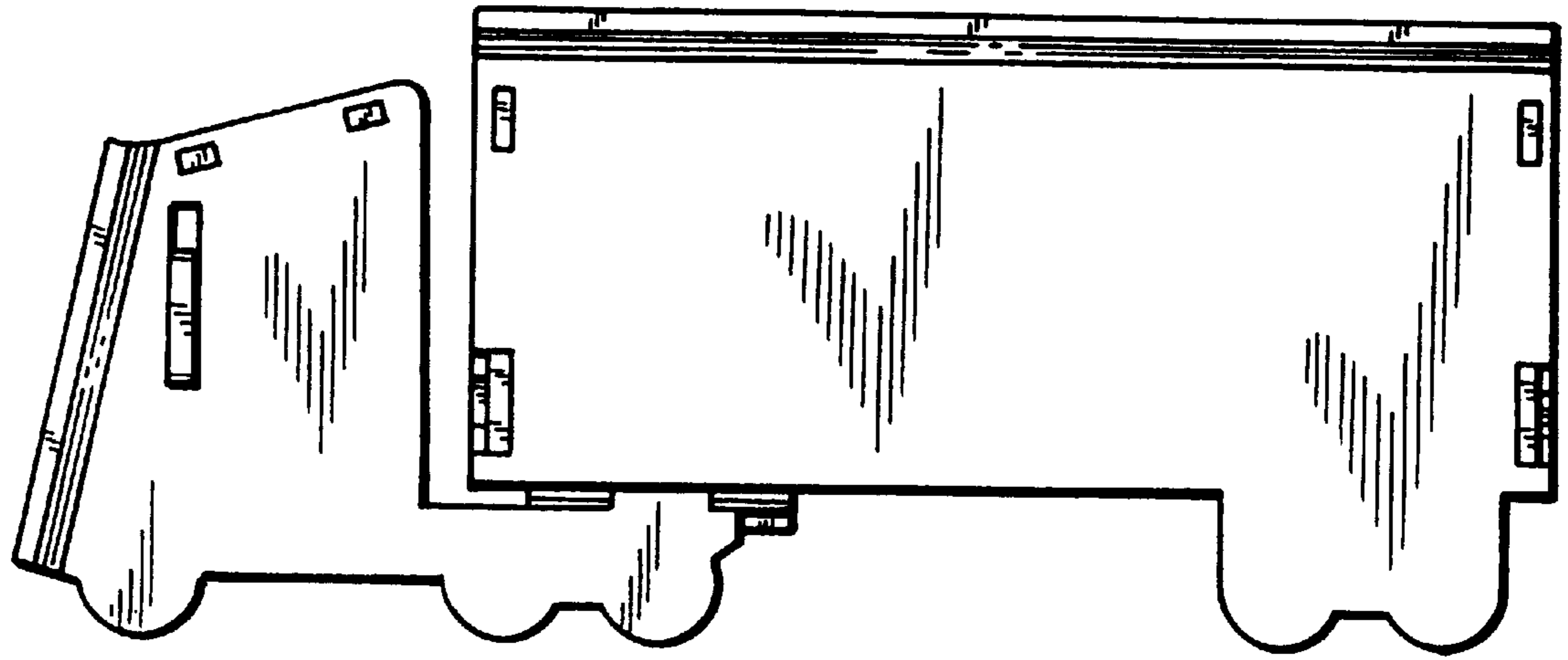


FIG. 4

FIG. 5

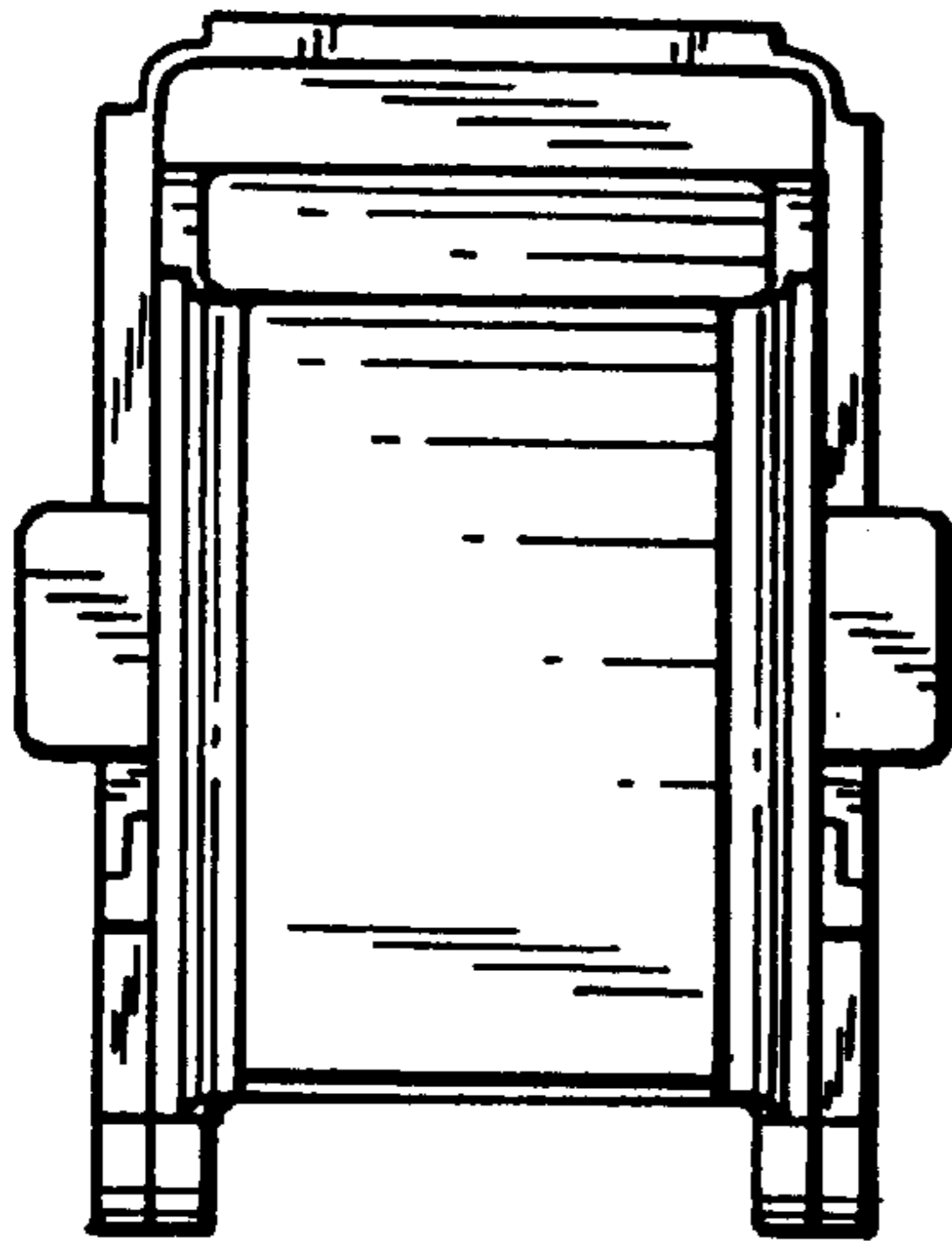


FIG. 6

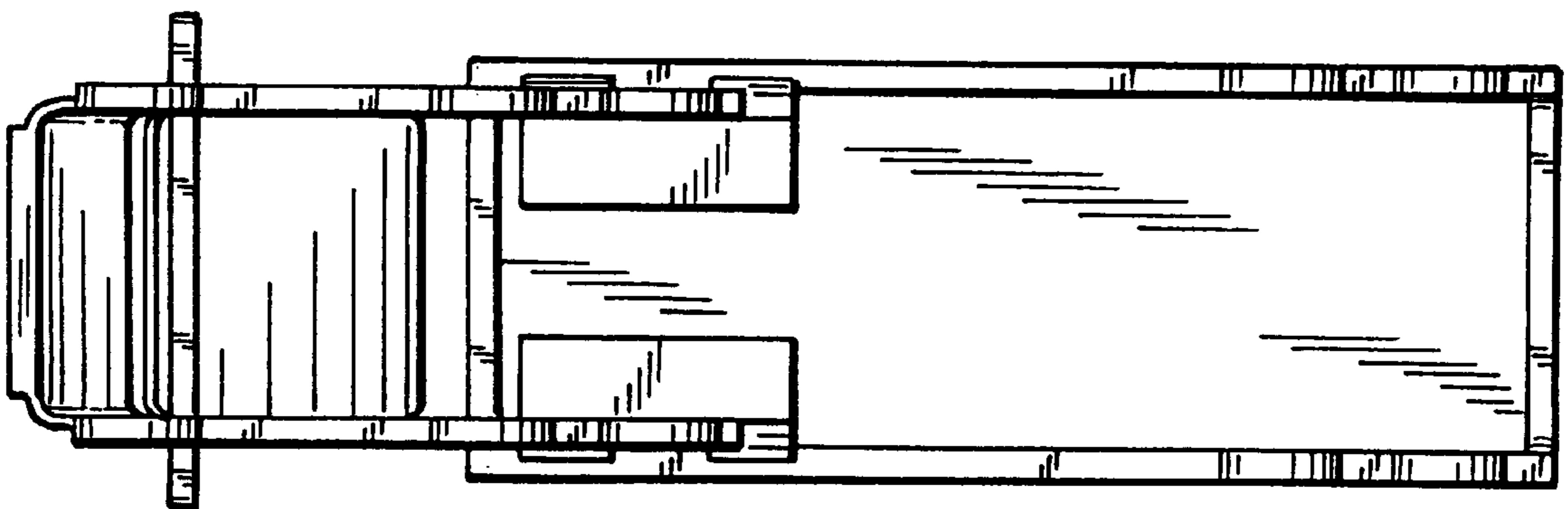
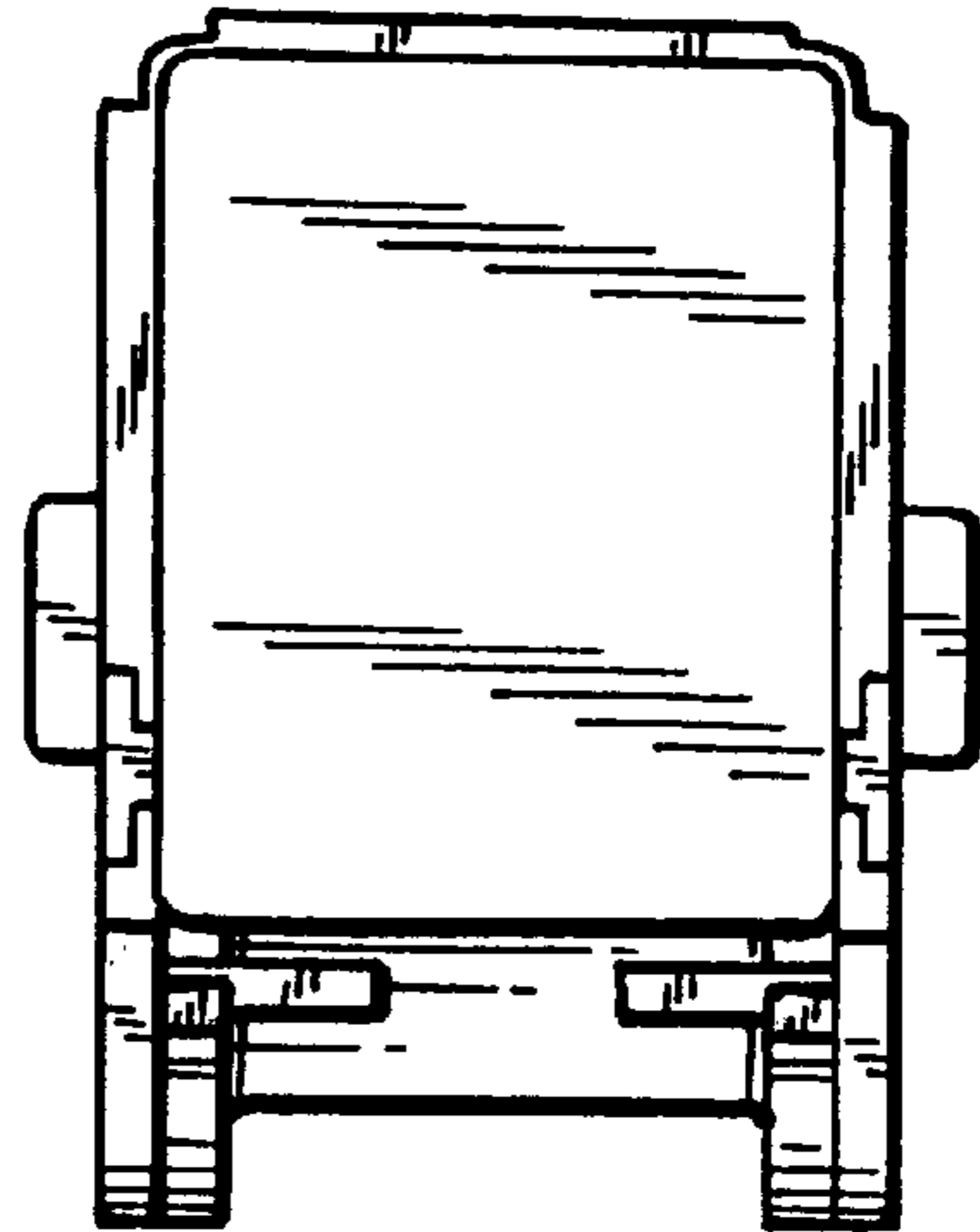


FIG. 7