



US00D485508S

(12) **United States Design Patent**
Hacmon

(10) **Patent No.:** **US D485,508 S**

(45) **Date of Patent:** **** Jan. 20, 2004**

(54) **PRECIOUS STONE**

D81,380 S * 6/1930 Dinhofer D11/90
D81,382 S * 6/1930 Dinhofer D11/90

(75) Inventor: **Joseph Hacmon, Ramat Gan (IL)**

* cited by examiner

(73) Assignee: **Australia Diamonds Ltd., Ramat Gan (IL)**

Primary Examiner—Ralf Seifert

(74) *Attorney, Agent, or Firm*—Kenyon & Kenyon

(**) Term: **14 Years**

(57) **CLAIM**

(21) Appl. No.: **29/178,230**

An ornamental design for a precious stone, as shown and described.

(22) Filed: **Mar. 21, 2003**

DESCRIPTION

(51) **LOC (7) Cl.** **11-01**

(52) **U.S. Cl.** **D11/90**

(58) **Field of Search** D11/1-2, 26-29,
D11/89-92; 63/26-28, 32

FIG. 1 is a top view of a precious stone showing my new design;

FIG. 2 is a front view thereof;

FIG. 3 is a side view thereof;

FIG. 4 is a bottom view thereof;

FIG. 5 is a first perspective view thereof; and,

FIG. 6 is a second perspective view thereof.

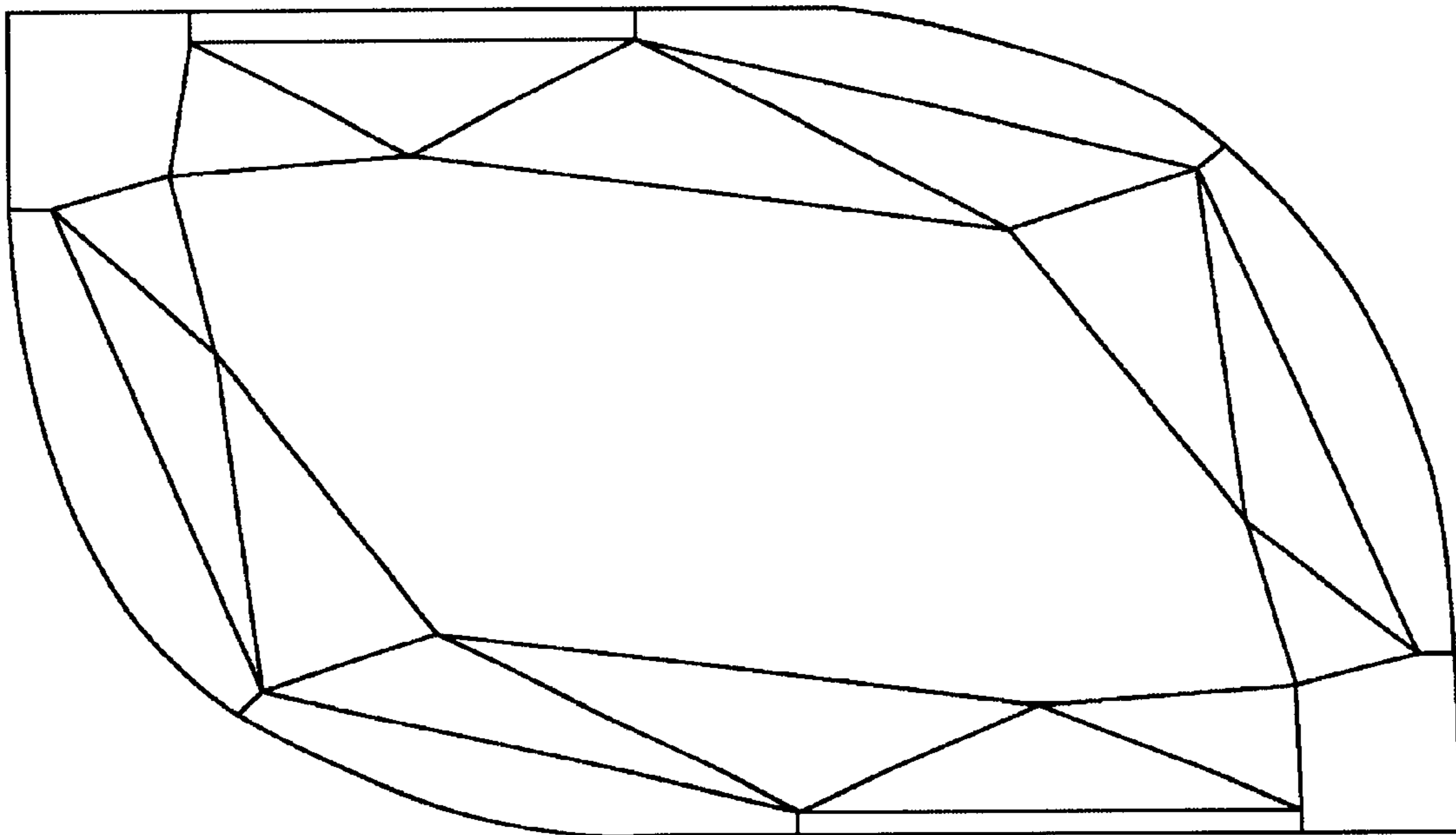
(56) **References Cited**

U.S. PATENT DOCUMENTS

D62,991 S * 9/1923 Heller D11/90

D62,992 S * 9/1923 Heller D11/90

1 Claim, 3 Drawing Sheets



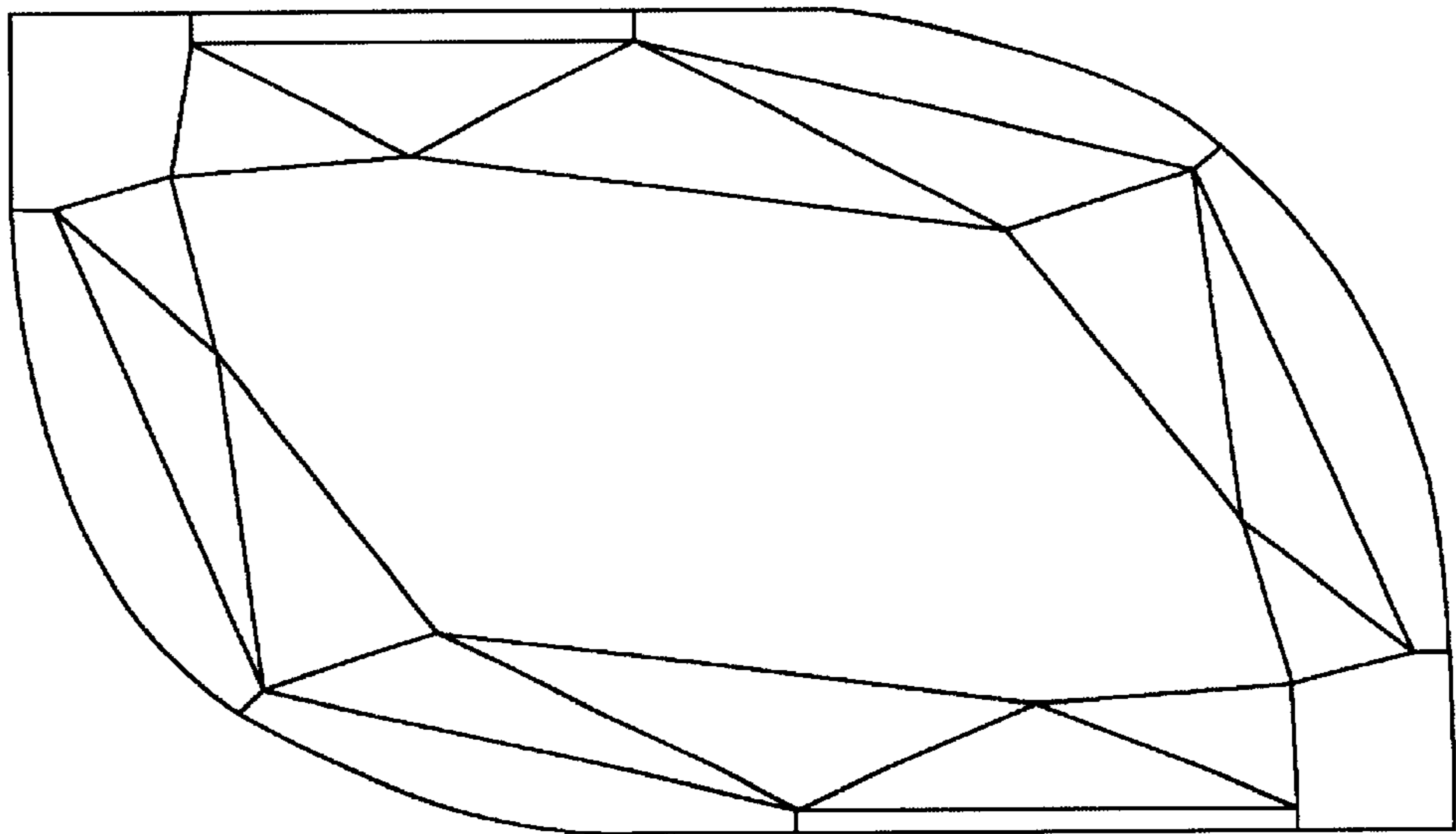


FIGURE 1

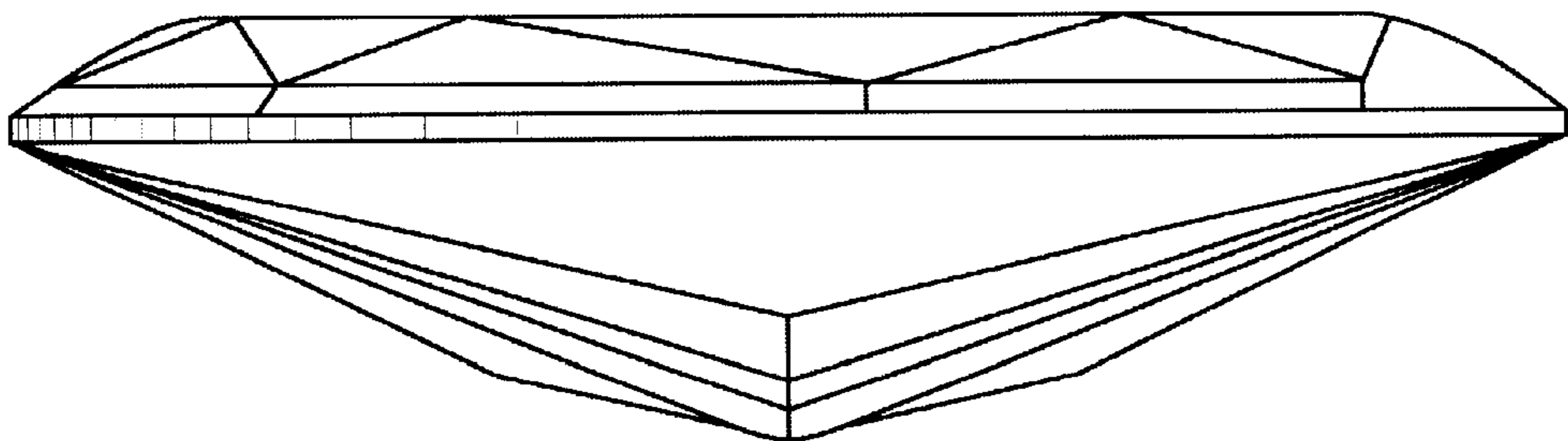


FIGURE 2

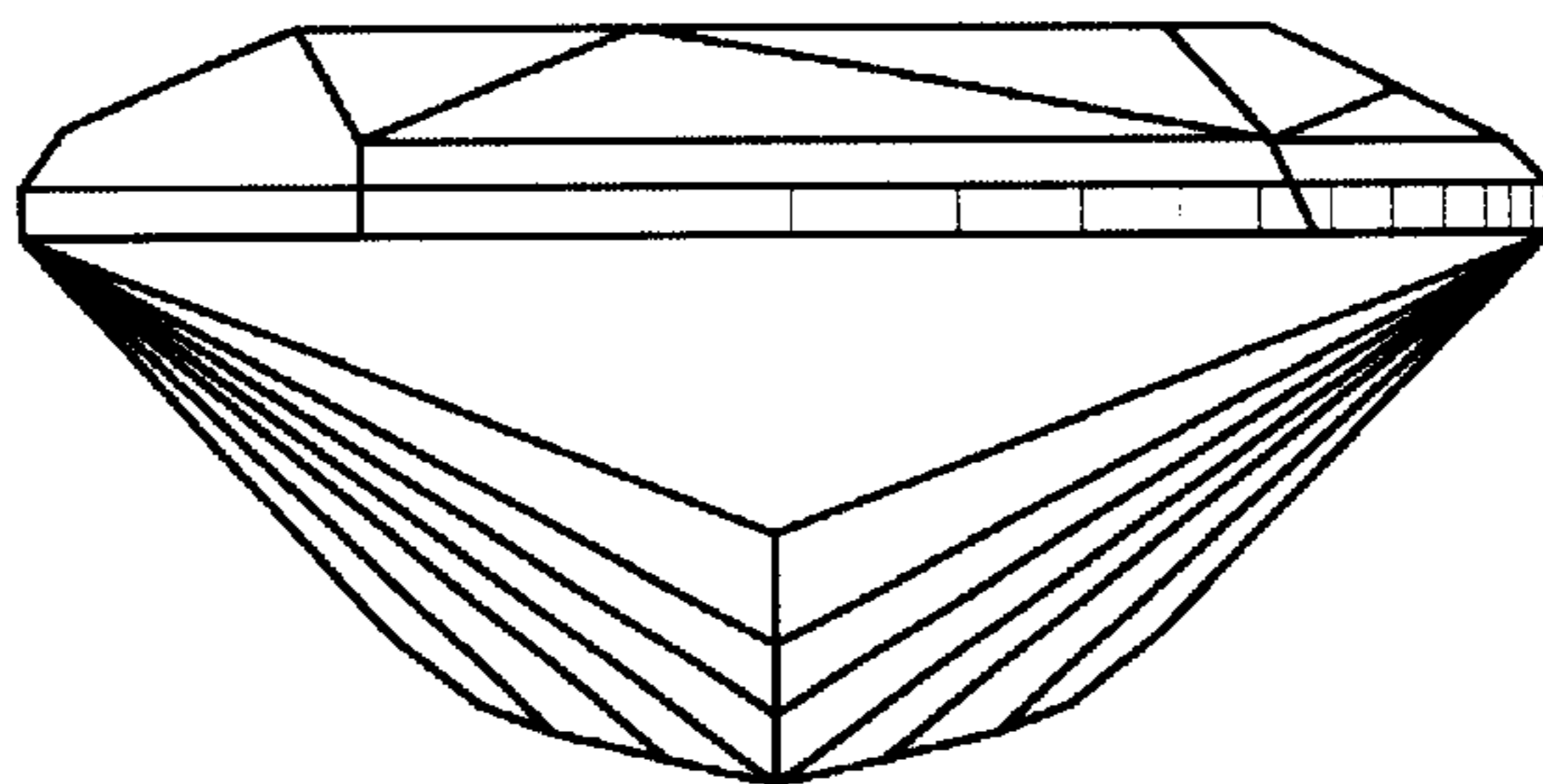


FIGURE 3

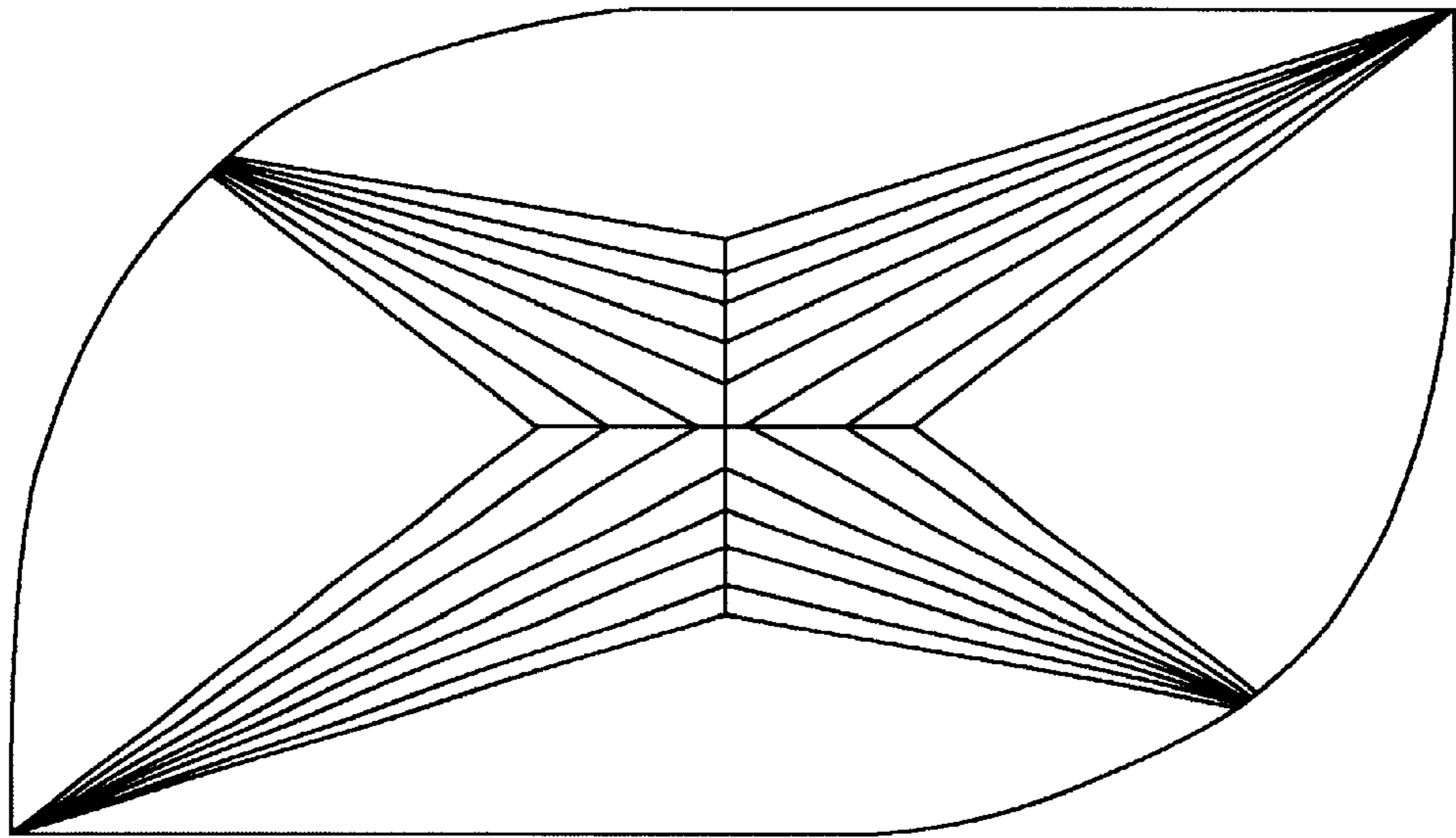


FIGURE 4

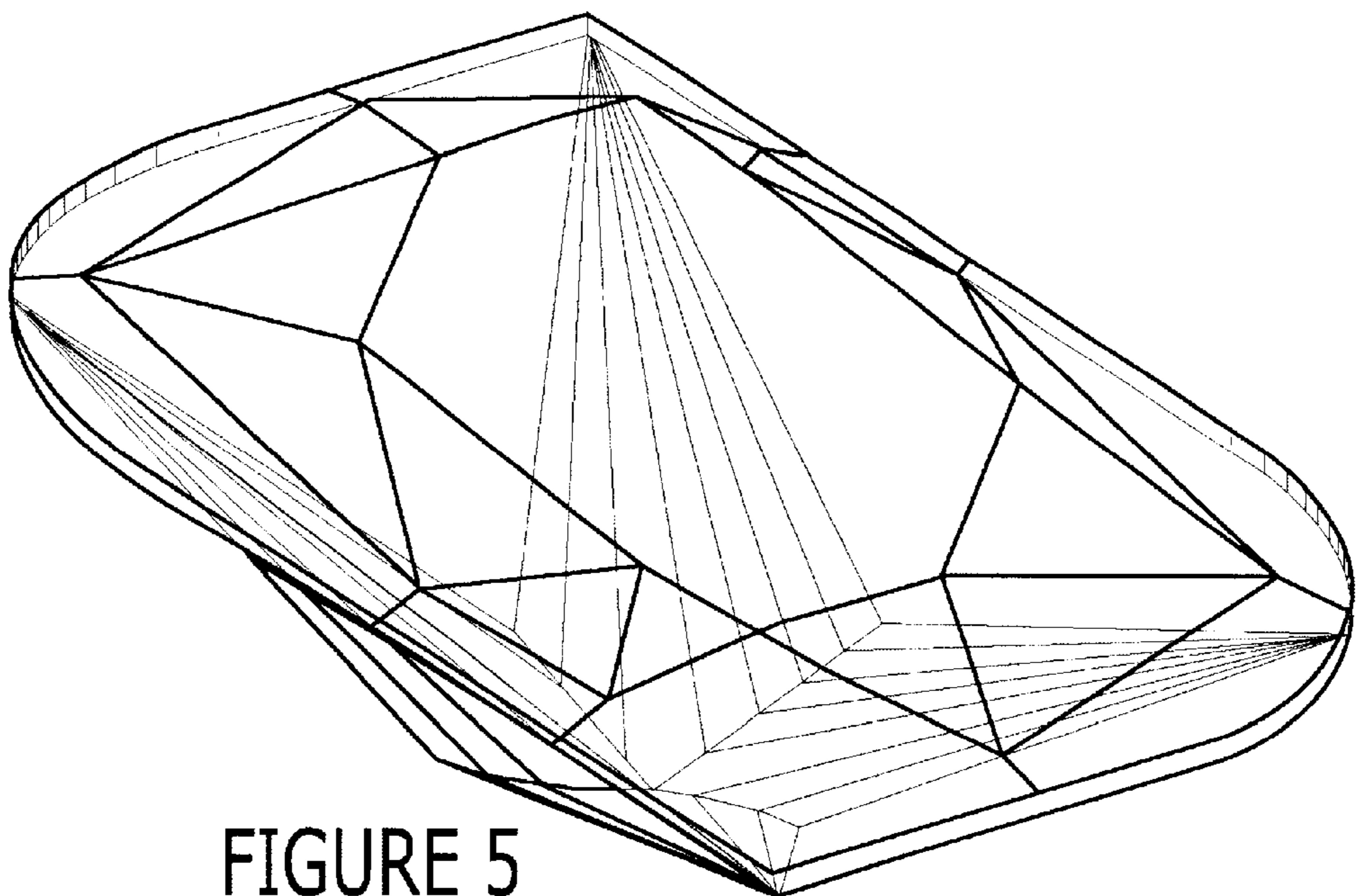


FIGURE 5

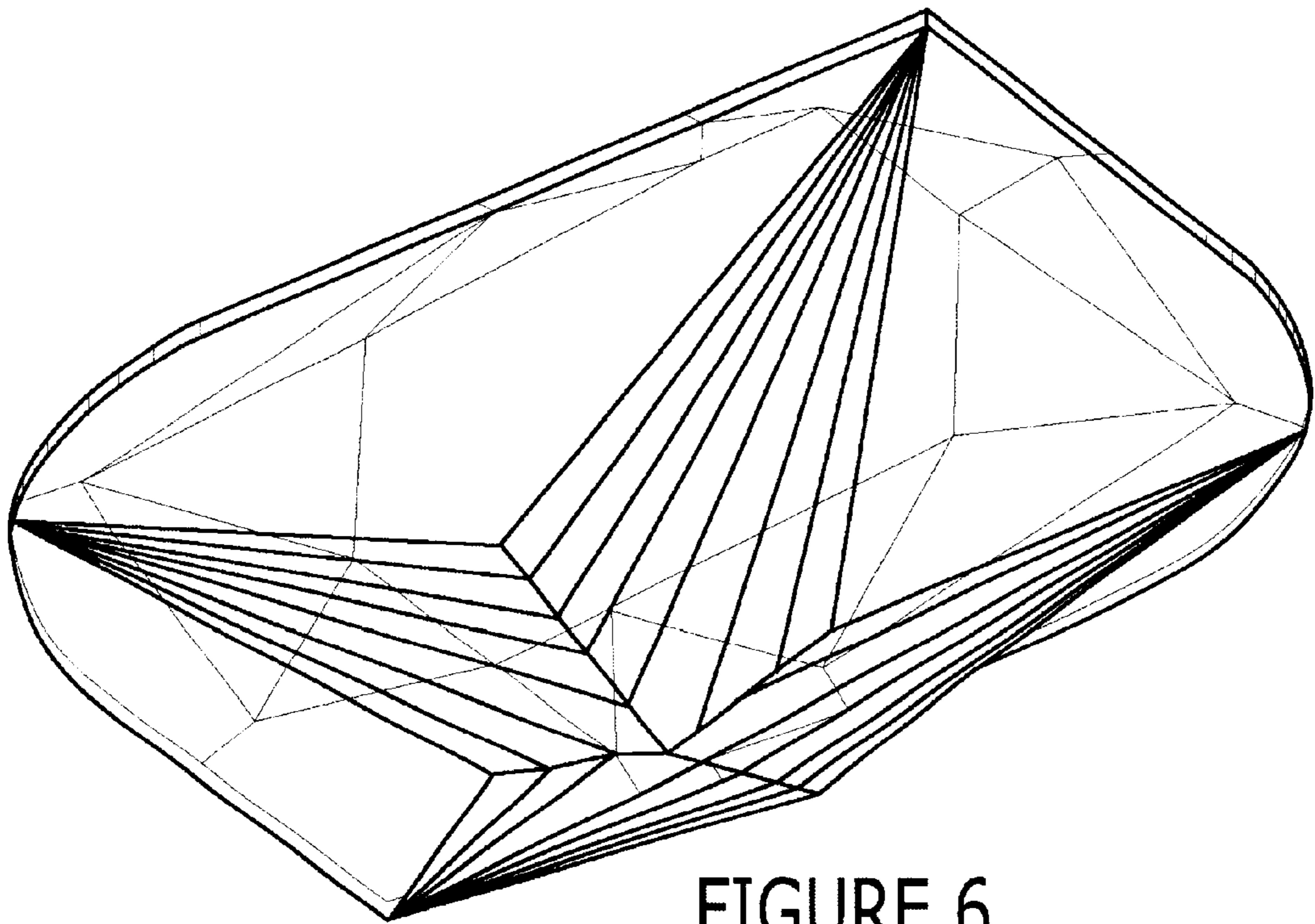


FIGURE 6