



US00D485502S

(12) **United States Design Patent**  
**Clivio**

(10) **Patent No.:** **US D485,502 S**

(45) **Date of Patent:** **\*\* Jan. 20, 2004**

(54) **WATER TIMER**

(75) Inventor: **Franco Clivio**, Erlenbach (CH)

(73) Assignee: **Gardena Manufacturing GmbH** (DE)

(\*\*) Term: **14 Years**

(21) Appl. No.: **29/176,051**

(22) Filed: **Feb. 14, 2003**

(30) **Foreign Application Priority Data**

Aug. 15, 2002 (DE) ..... 4 02 06 806

(51) **LOC (7) Cl.** ..... **10-03**

(52) **U.S. Cl.** ..... **D10/40**

(58) **Field of Search** ..... D10/1-40, 122-132;  
137/624.11, 624.18; 368/96-100, 107-121,  
276-277, 285, 316, 317, 10; 239/69, 7

(56) **References Cited**

**U.S. PATENT DOCUMENTS**

- 4,592,505 A \* 6/1986 Bruninga et al. .... 239/69
- 4,708,264 A \* 11/1987 Bruninga ..... 222/20
- 4,807,664 A \* 2/1989 Wilson et al. .... 137/624.11
- D365,771 S \* 1/1996 Clivio ..... D10/96
- D377,316 S \* 1/1997 Roman et al. .... D10/40
- 5,826,619 A \* 10/1998 Roman ..... 137/624.11

- D430,044 S \* 8/2000 Clivio ..... D10/40
- D431,195 S \* 9/2000 Clivio ..... D10/40
- 6,283,139 B1 \* 9/2001 Symonds et al. .... 137/78.3
- D467,187 S \* 12/2002 Clivio ..... D10/40

**OTHER PUBLICATIONS**

Gardena catalog "Handlerkatalog" 2002, published Oct. 2001, p. 24 and cover page.

\* cited by examiner

*Primary Examiner*—Nelson C. Holtje

(74) *Attorney, Agent, or Firm*—Akerman Senterfitt

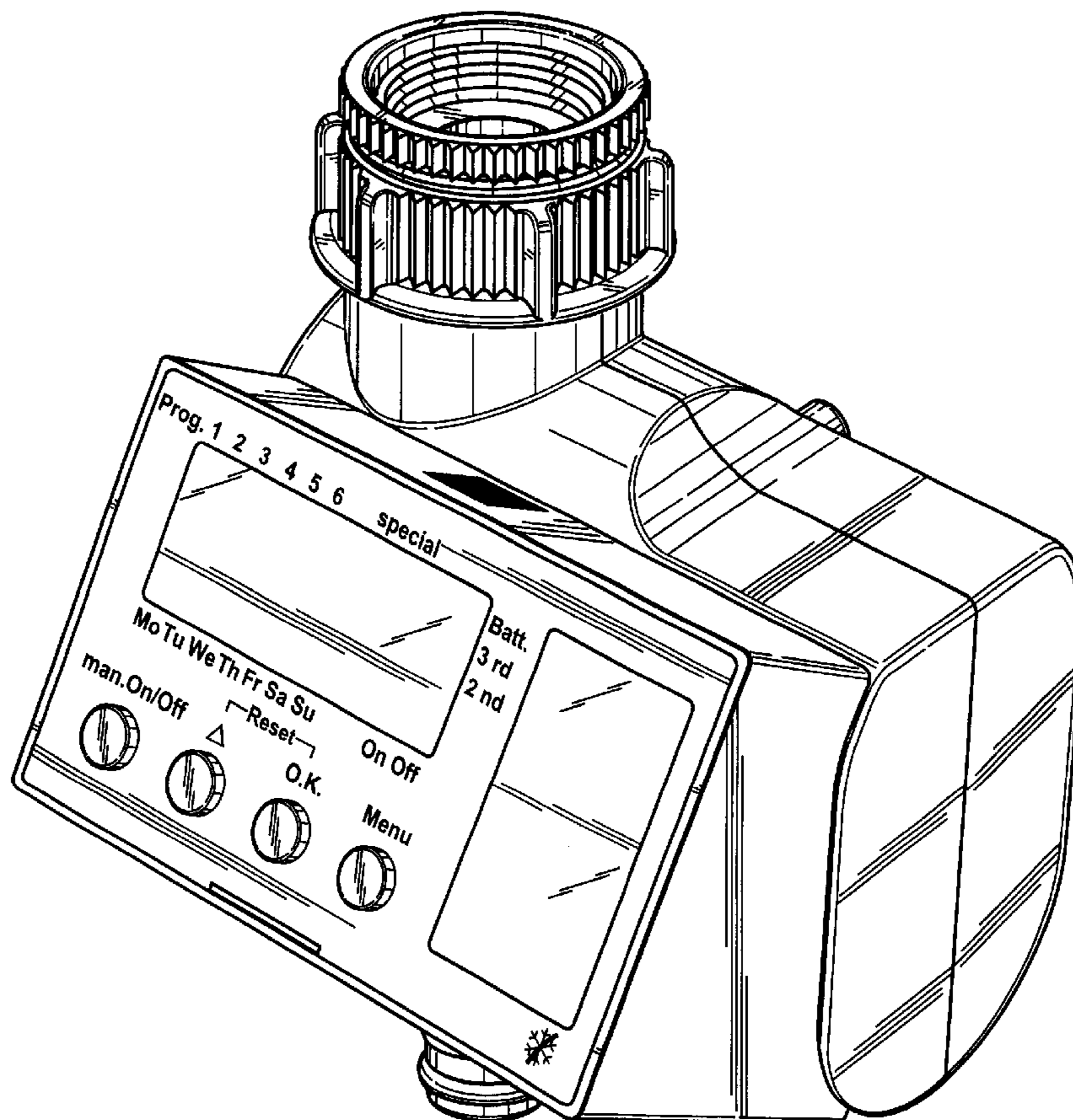
(57) **CLAIM**

The ornamental design for a water timer, as shown and described.

**DESCRIPTION**

- FIG. 1: is a side perspective view of the water timer showing my new design;
- FIG. 2: is a front elevation view thereof;
- FIG. 3: is a rear elevation view thereof;
- FIG. 4: is a side elevation view thereof;
- FIG. 5: is the opposite side elevation view thereof;
- FIG. 6: is a bottom plan view thereof; and,
- FIG. 7: is a top plan view thereof.

**1 Claim, 7 Drawing Sheets**



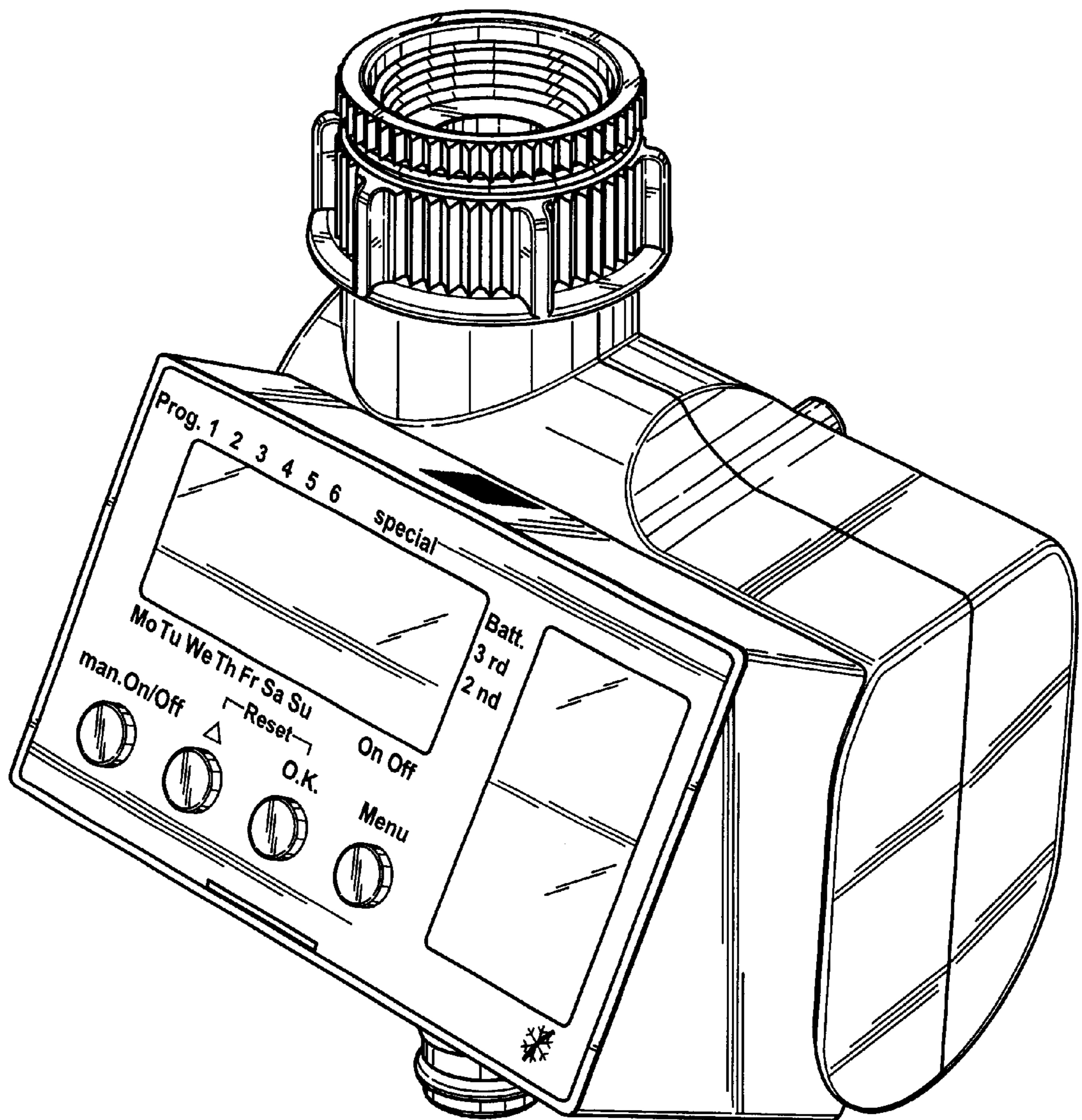
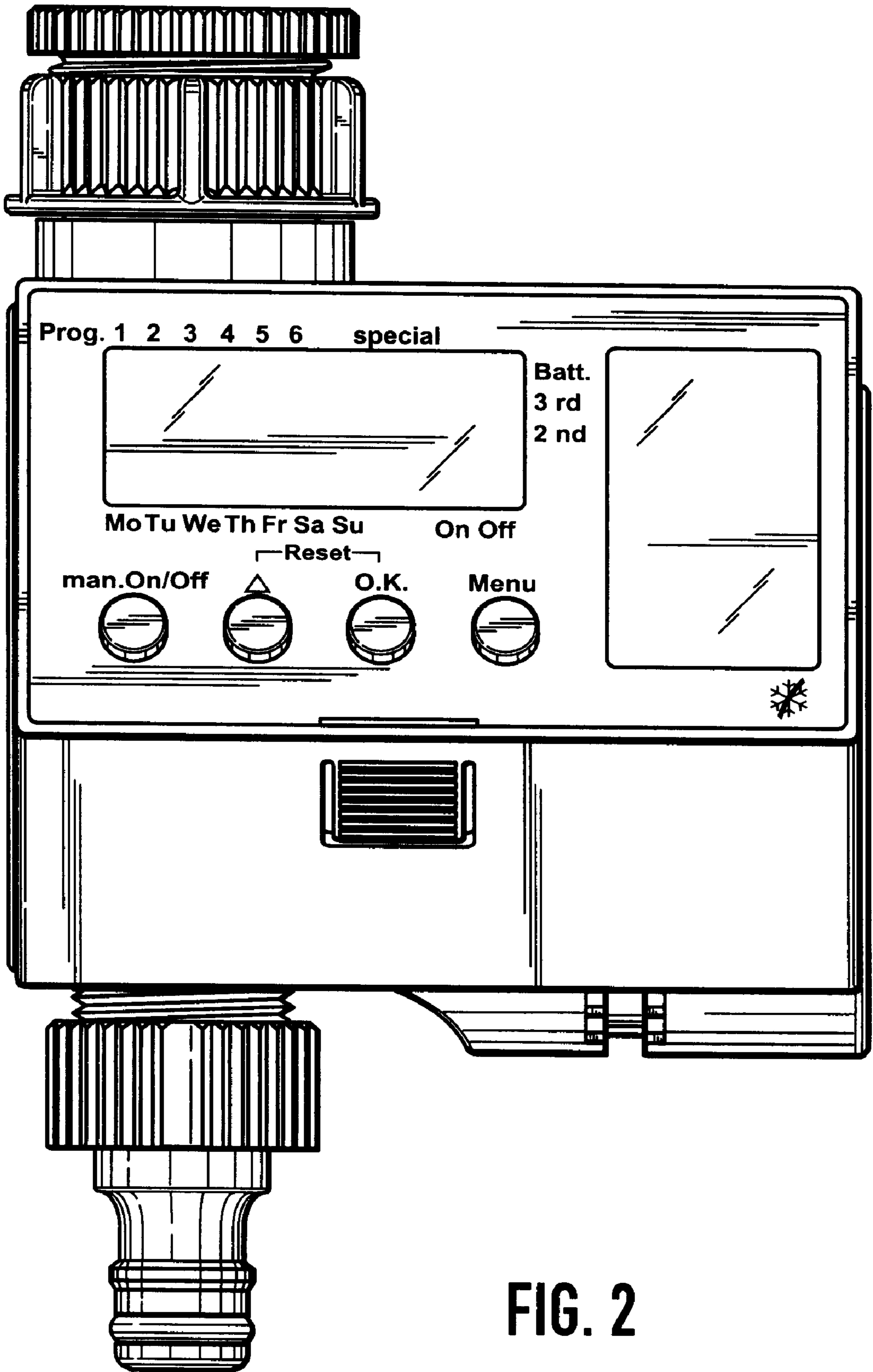
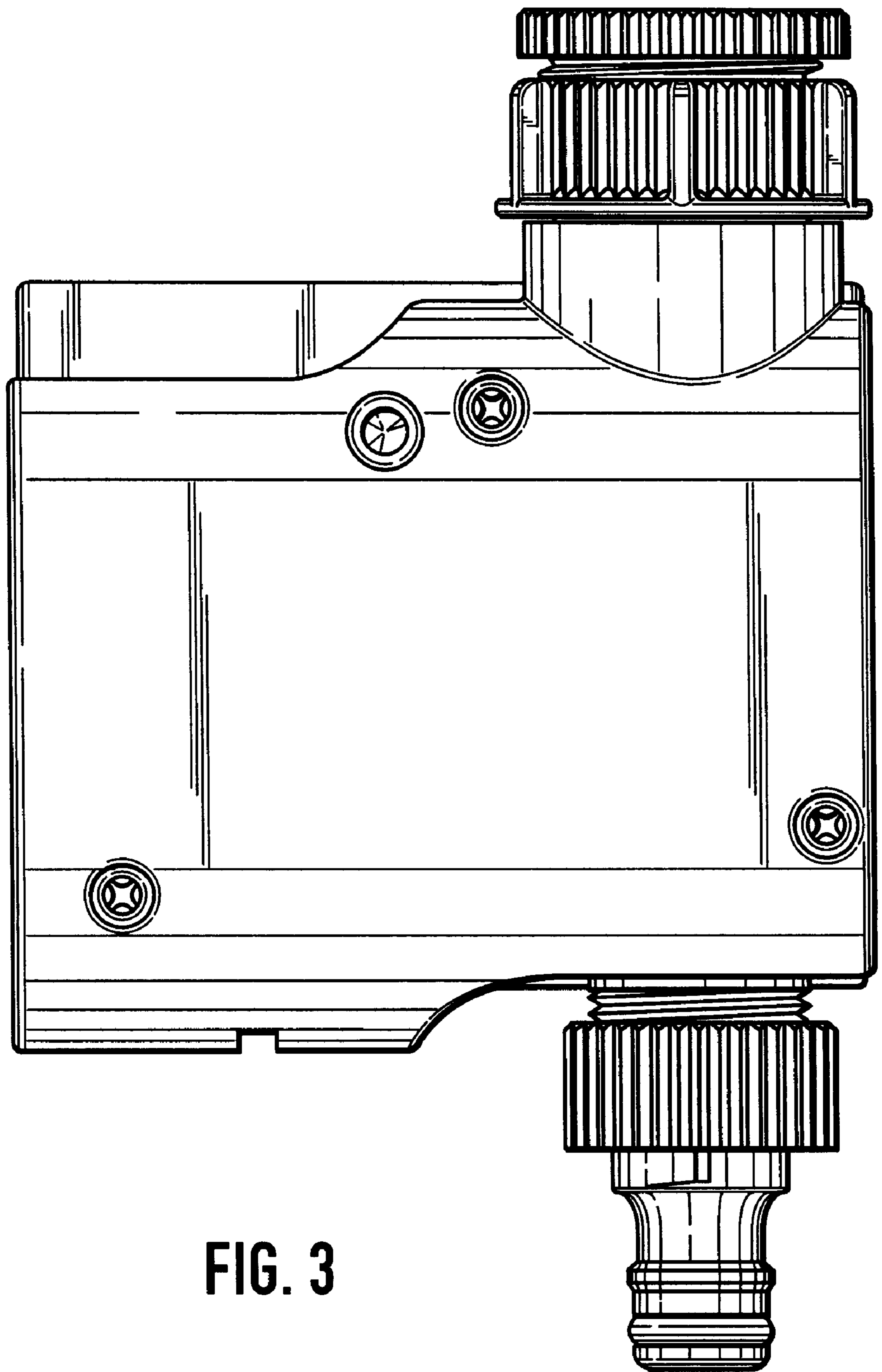


FIG. 1





**FIG. 3**

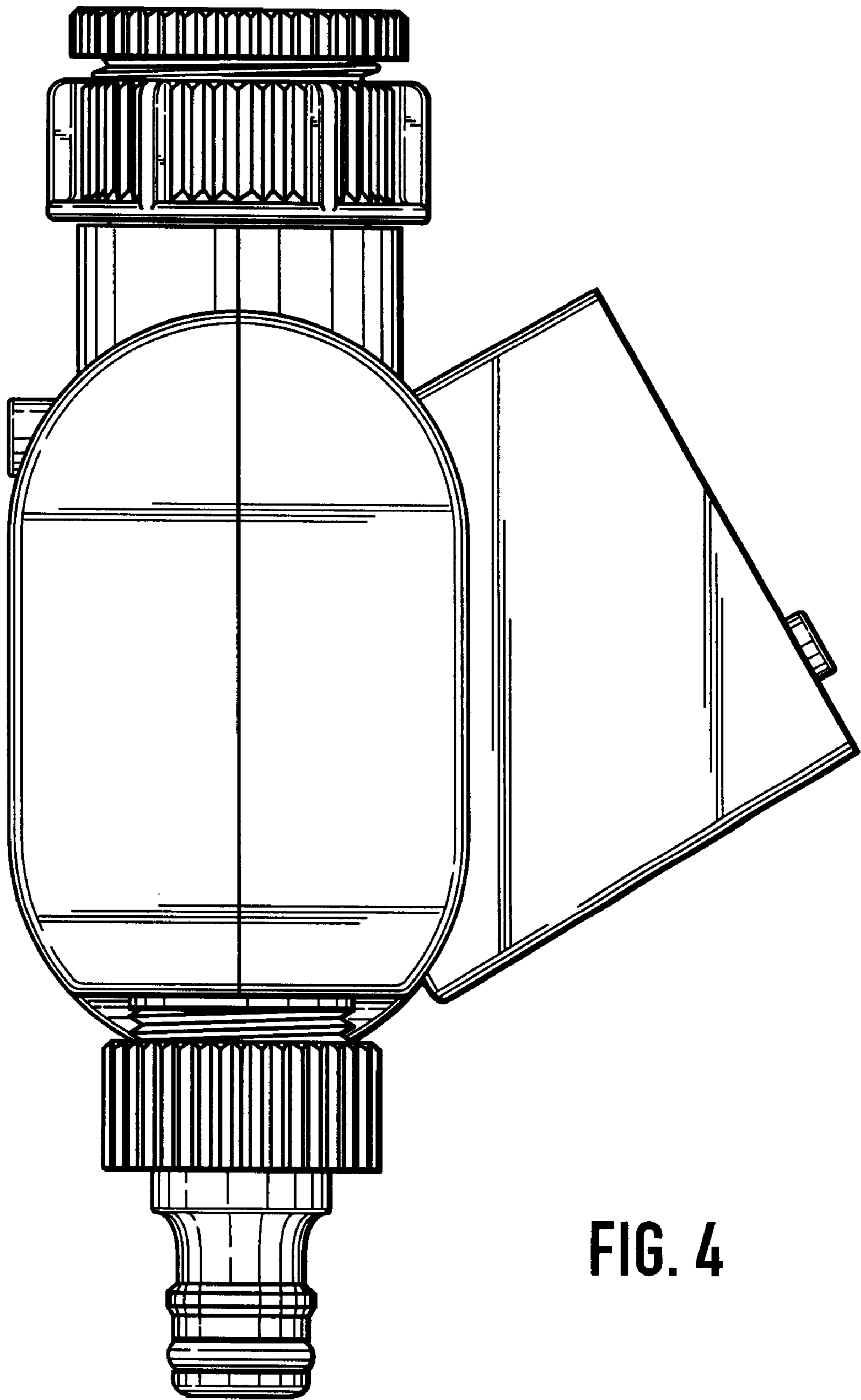


FIG. 4

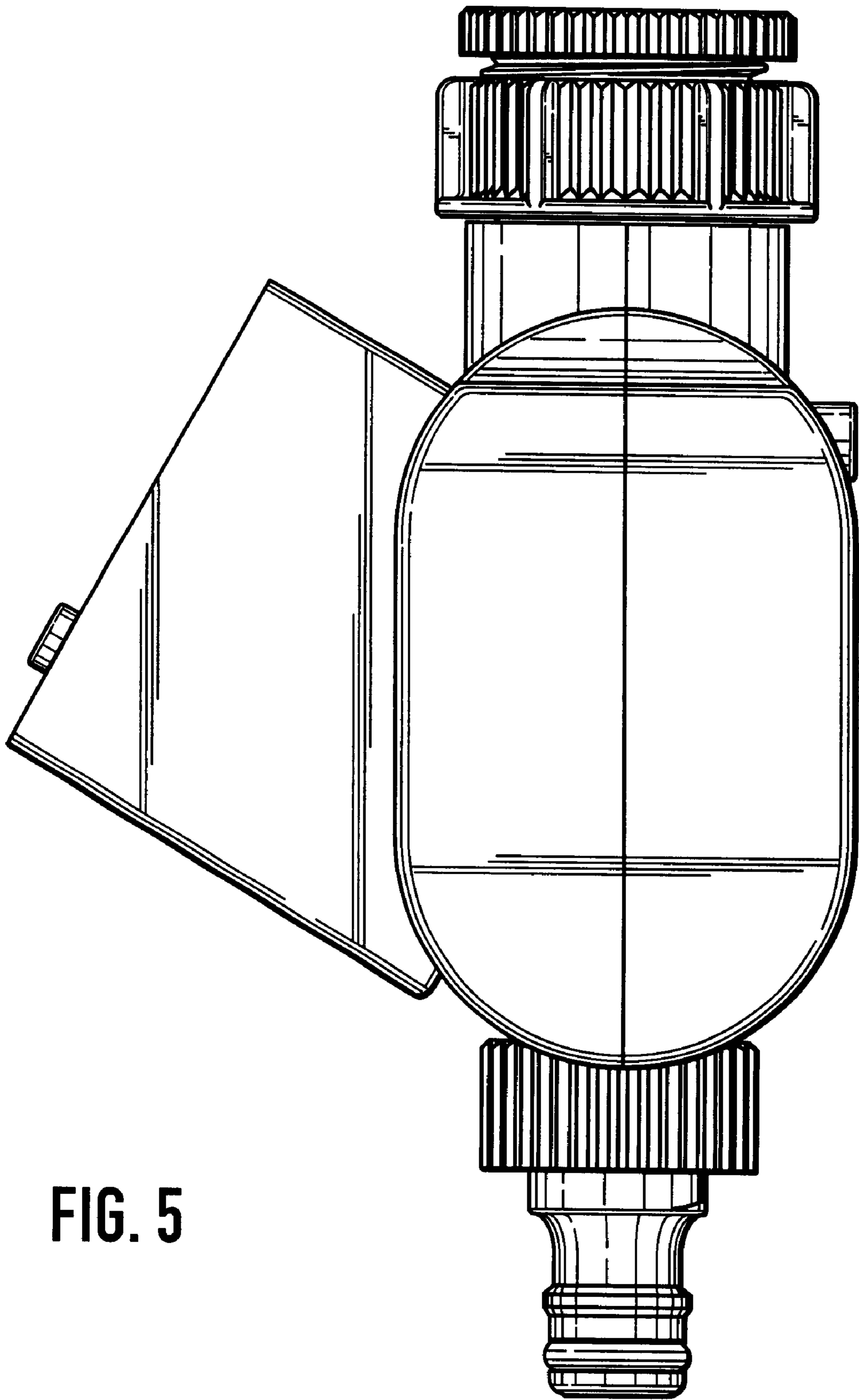


FIG. 5

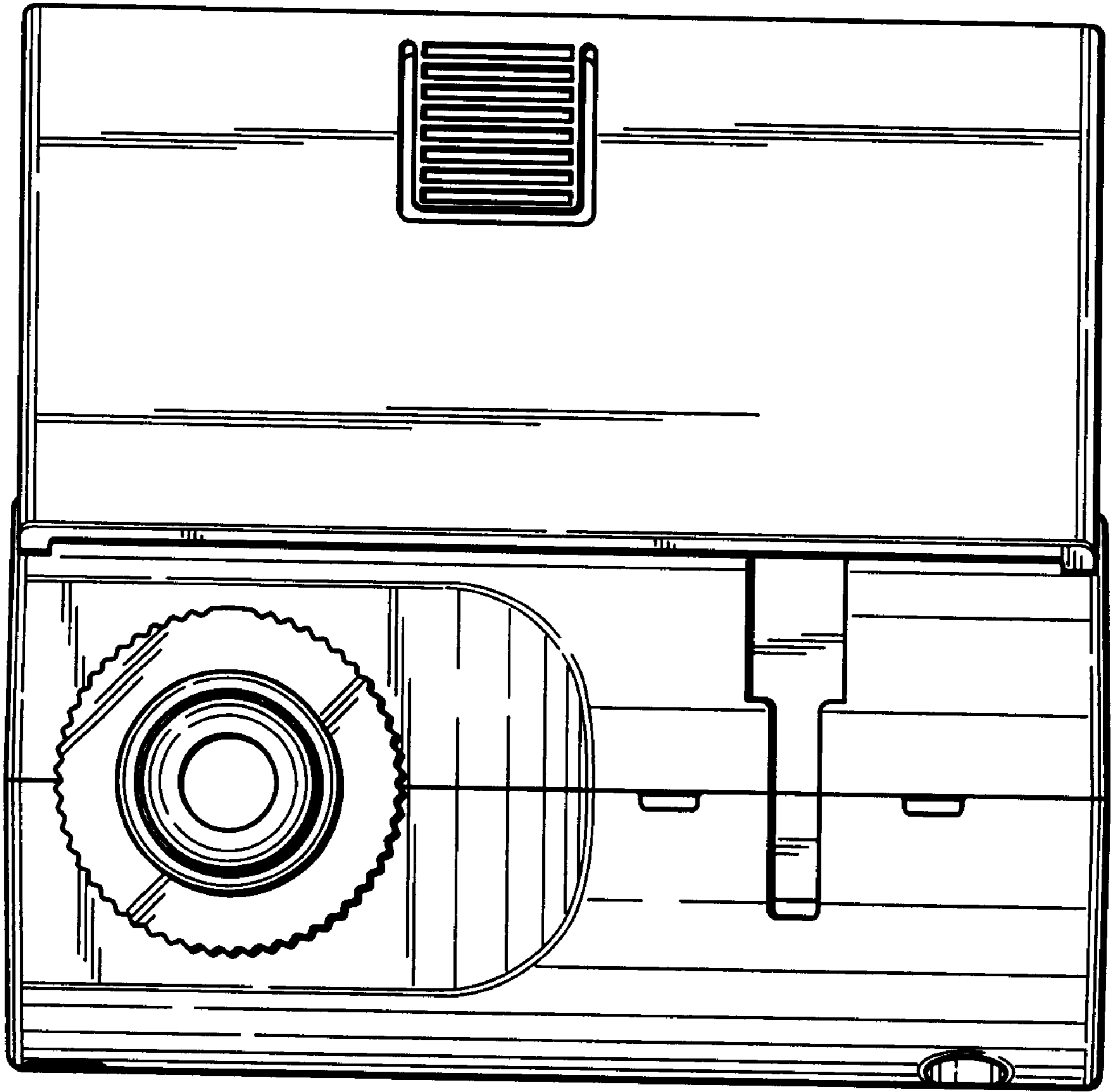


FIG. 6

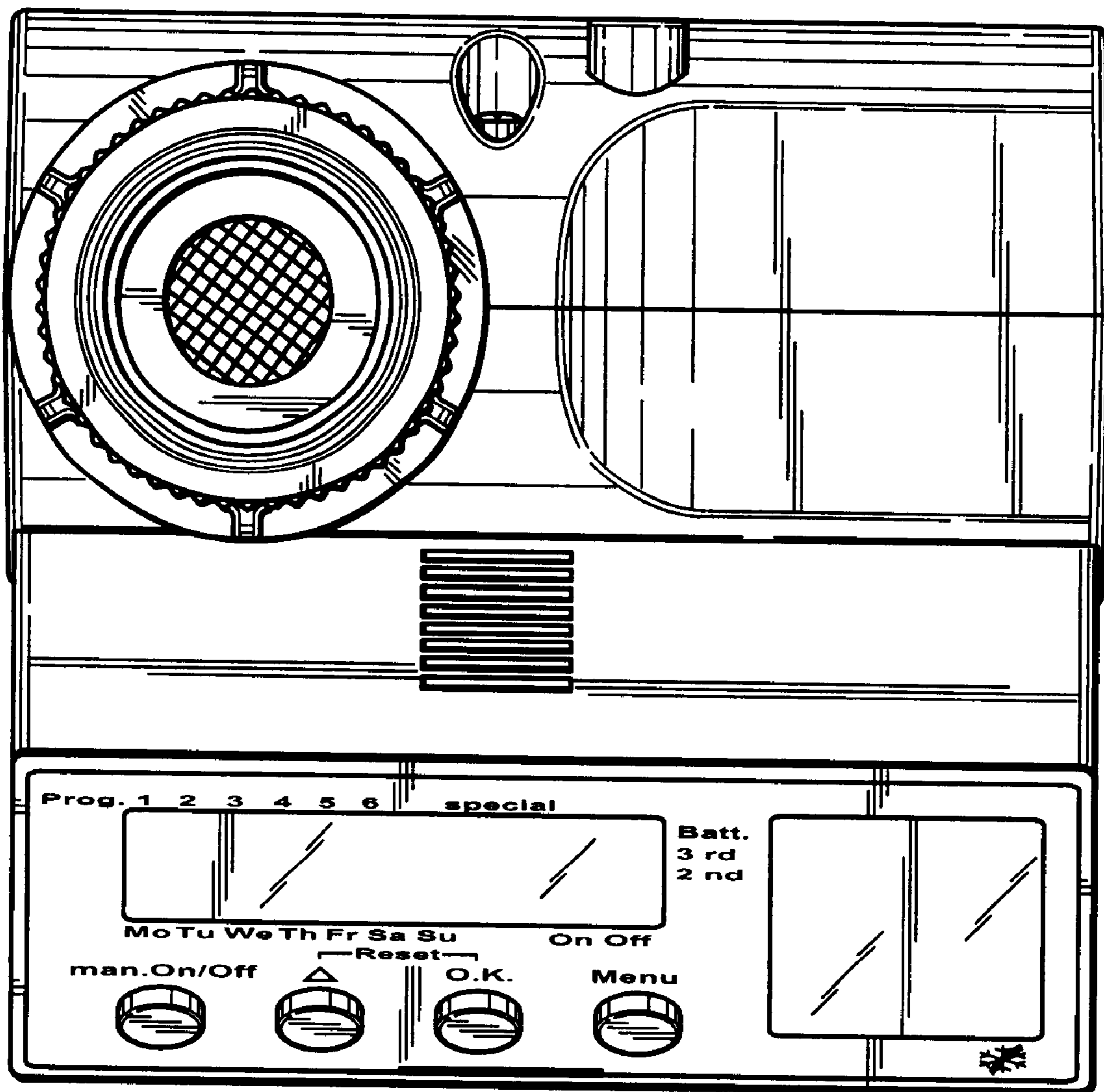


FIG. 7