



US00D485498S

(12) **United States Design Patent**
Tong

(10) **Patent No.:** **US D485,498 S**

(45) **Date of Patent:** **** Jan. 20, 2004**

(54) **MUSHROOM SHAPED ELECTRONIC DIGITAL CLOCK**

5,751,660 A * 5/1998 Chappell 368/10
D404,652 S * 1/1999 Werginz D10/6

(75) Inventor: **Terence Tong**, Kwun Tong (CN)

* cited by examiner

(73) Assignee: **Sweda Co. LLC**, Monrovia, CA (US)

Primary Examiner—Nelson C. Holtje

(**) Term: **14 Years**

(74) *Attorney, Agent, or Firm*—Alix, Yale & Ristas, LLP

(21) Appl. No.: **29/179,995**

(57) **CLAIM**

(22) Filed: **Apr. 17, 2003**

The ornamental design for a mushroom shaped electronic digital clock, as shown and described.

(30) **Foreign Application Priority Data**

DESCRIPTION

Nov. 7, 2002 (HK) 0211819

FIG. 1 is a front perspective view of the mushroom shaped electronic digital clock showing my new design;

(51) **LOC (7) Cl.** **10-01**

FIG. 2 is a front view of the mushroom shaped electronic digital clock of FIG. 1;

(52) **U.S. Cl.** **D10/15; D10/23**

FIG. 3 is a rear view of the mushroom shaped electronic digital clock of FIG. 1;

(58) **Field of Search** D10/1-40, 122-132;
368/280-282, 276-277, 28-30, 285, 239-242,
243-249, 82-84, 41-44

FIG. 4 is a left side view of the mushroom shaped electronic digital clock of FIG. 1;

(56) **References Cited**

FIG. 5 is a right side view of the mushroom shaped electronic digital clock of FIG. 1;

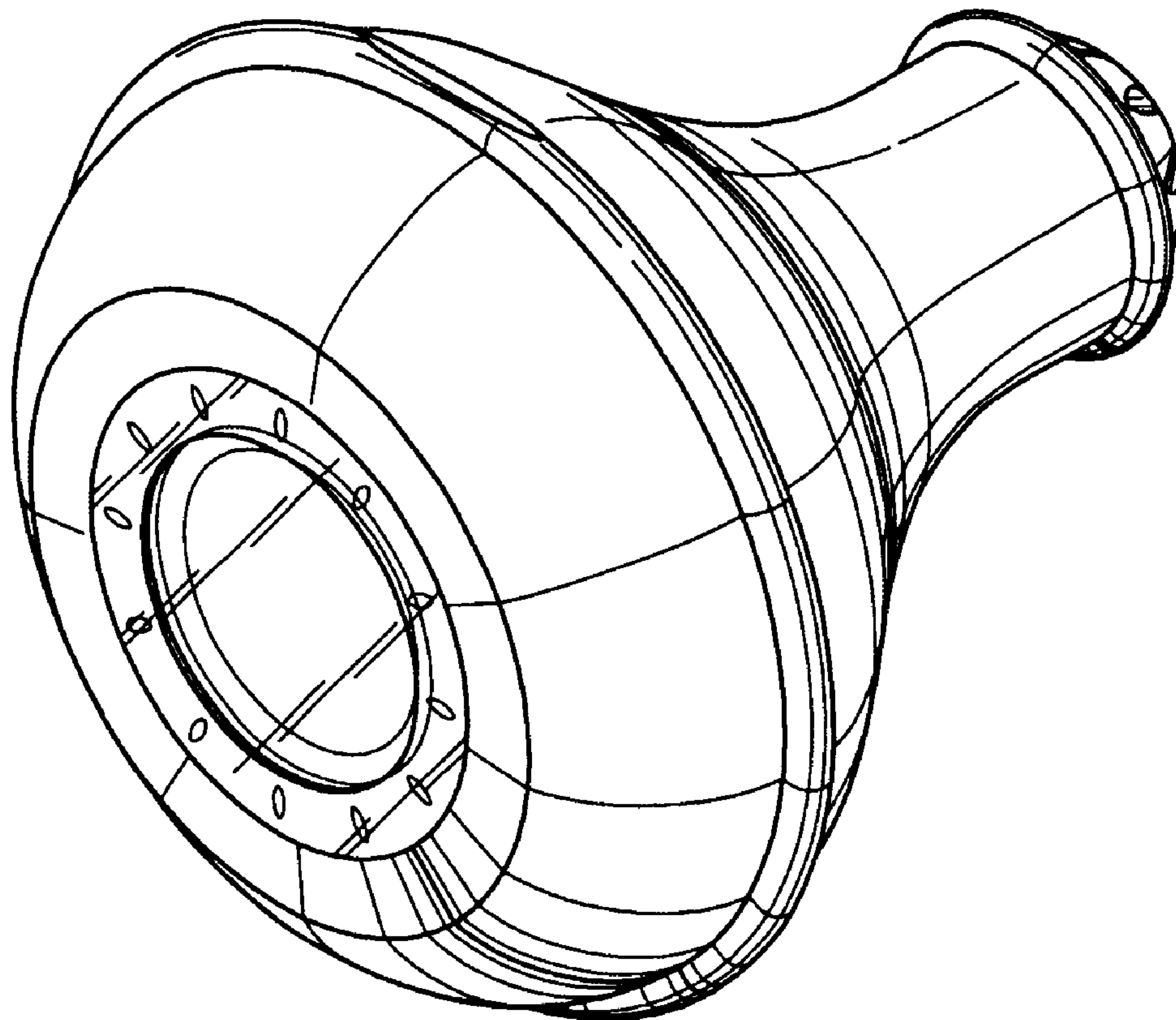
U.S. PATENT DOCUMENTS

FIG. 6 is a top plan view of the mushroom shaped electronic digital clock of FIG. 1; and,

D185,871 S * 8/1959 Rachow D10/23
D193,017 S * 6/1962 Marti D10/23
4,178,753 A * 12/1979 Schenker 368/10
D354,004 S * 1/1995 Brown D10/23

FIG. 7 is a bottom plan view of the mushroom shaped electronic digital clock of FIG. 1.

1 Claim, 4 Drawing Sheets



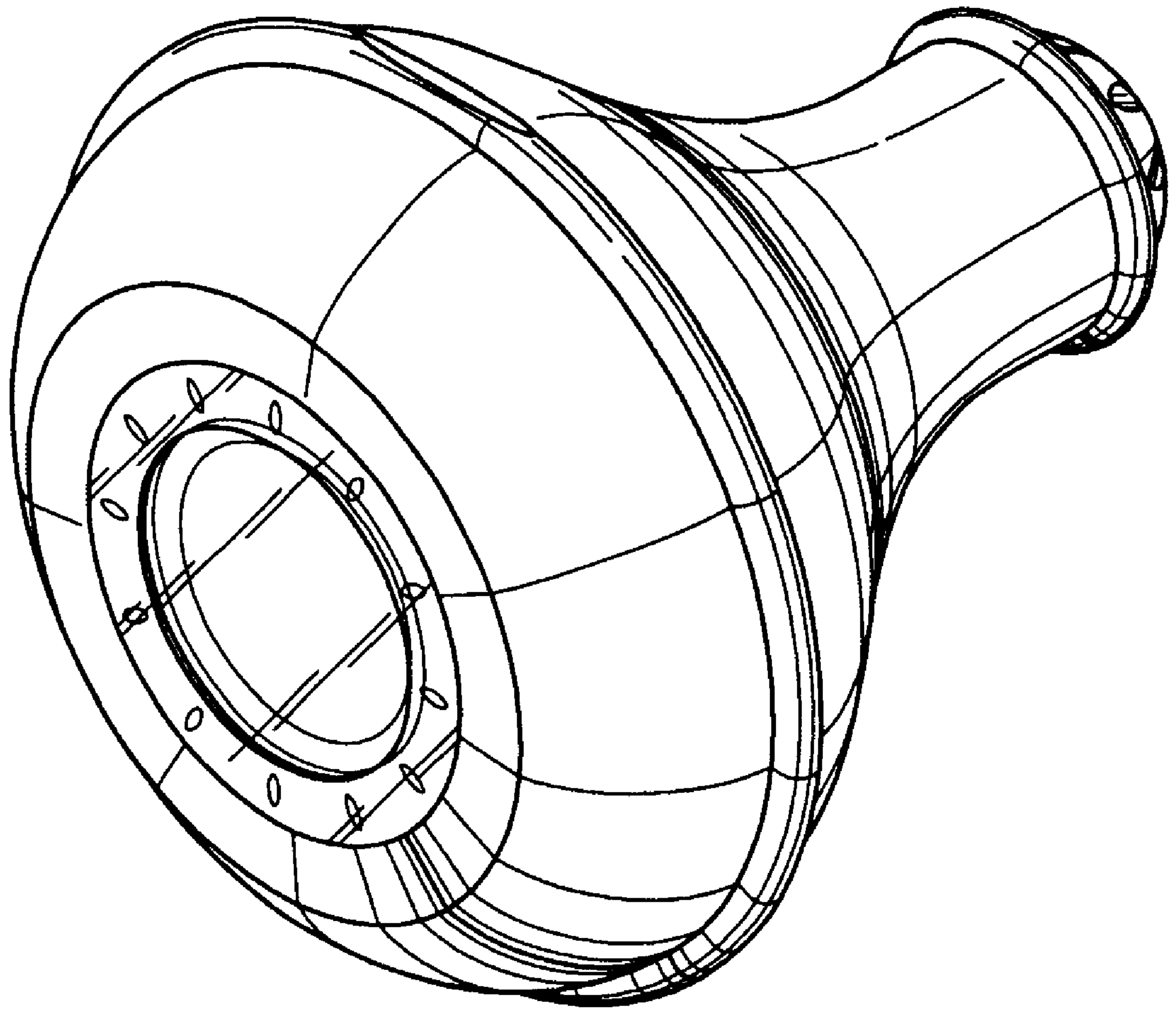


FIG. 1

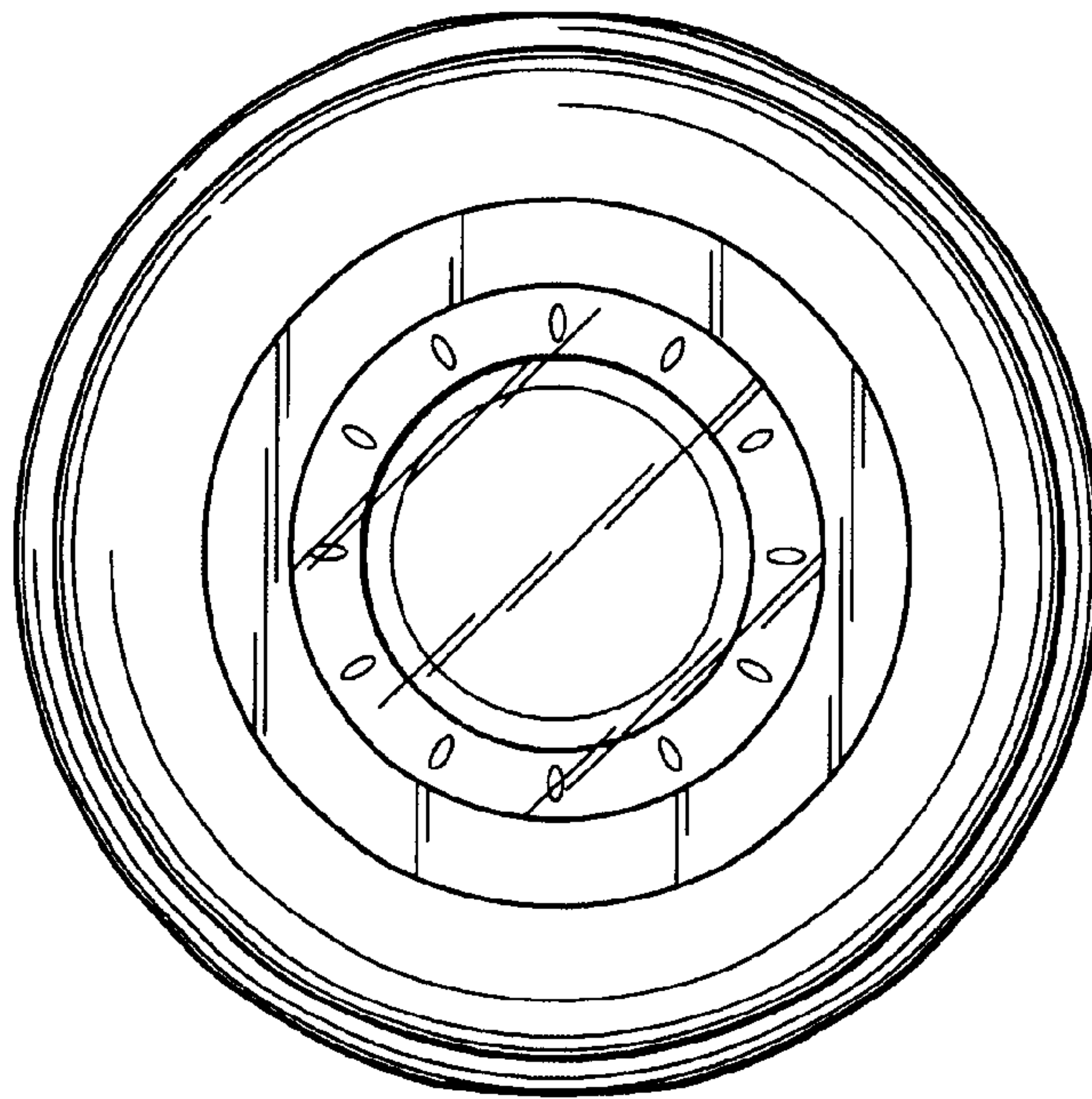


FIG. 2

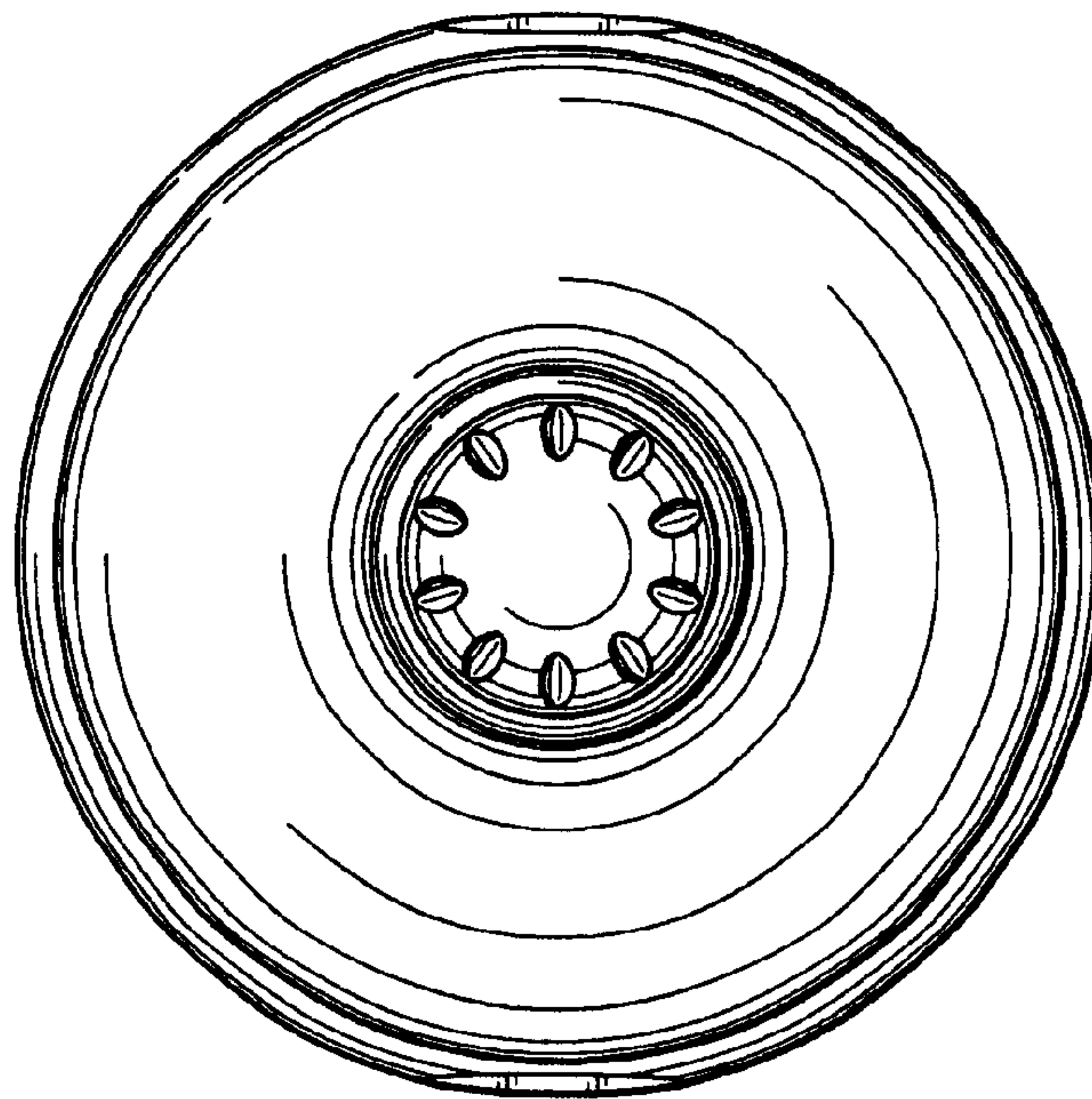


FIG. 3

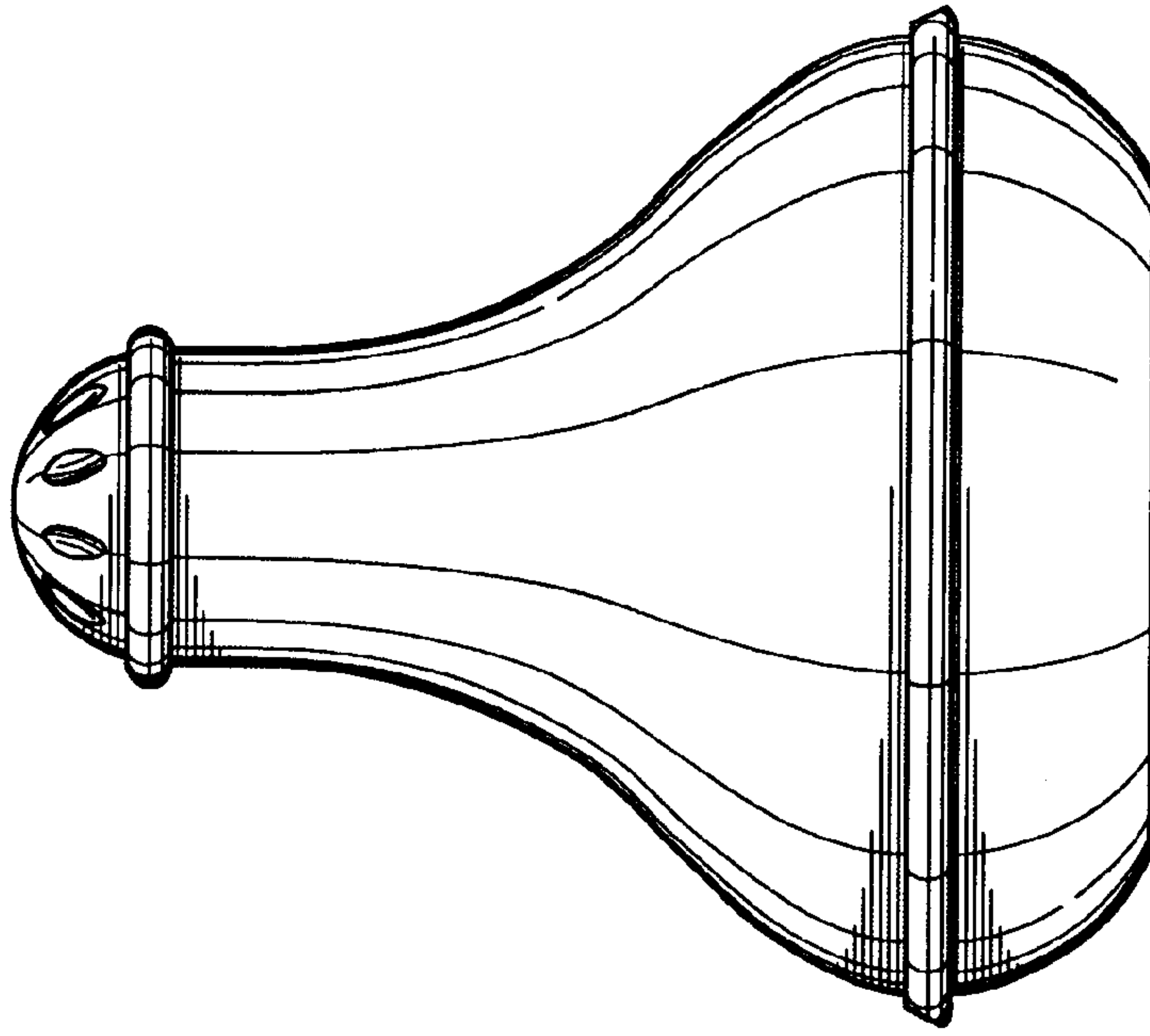


FIG. 4

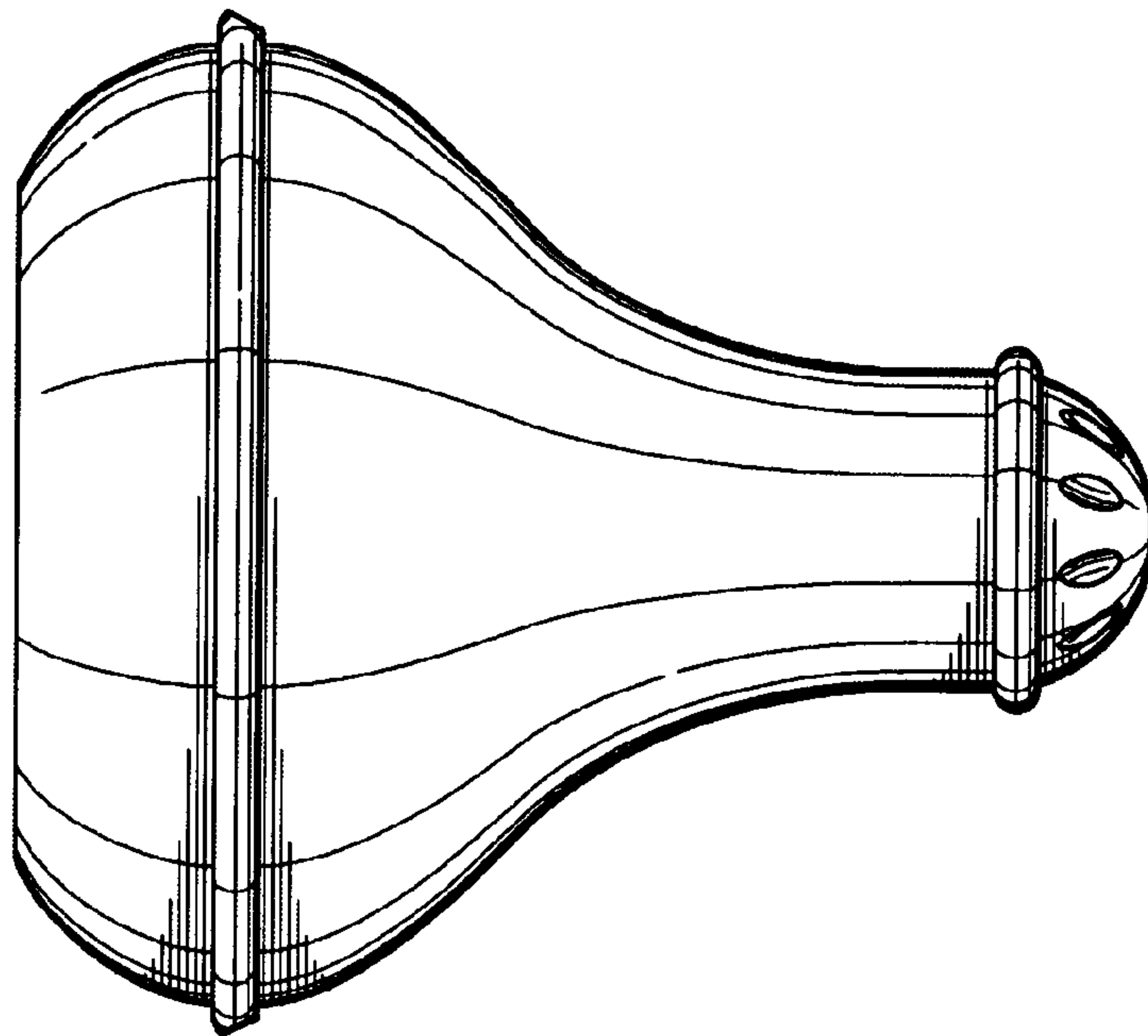


FIG. 5

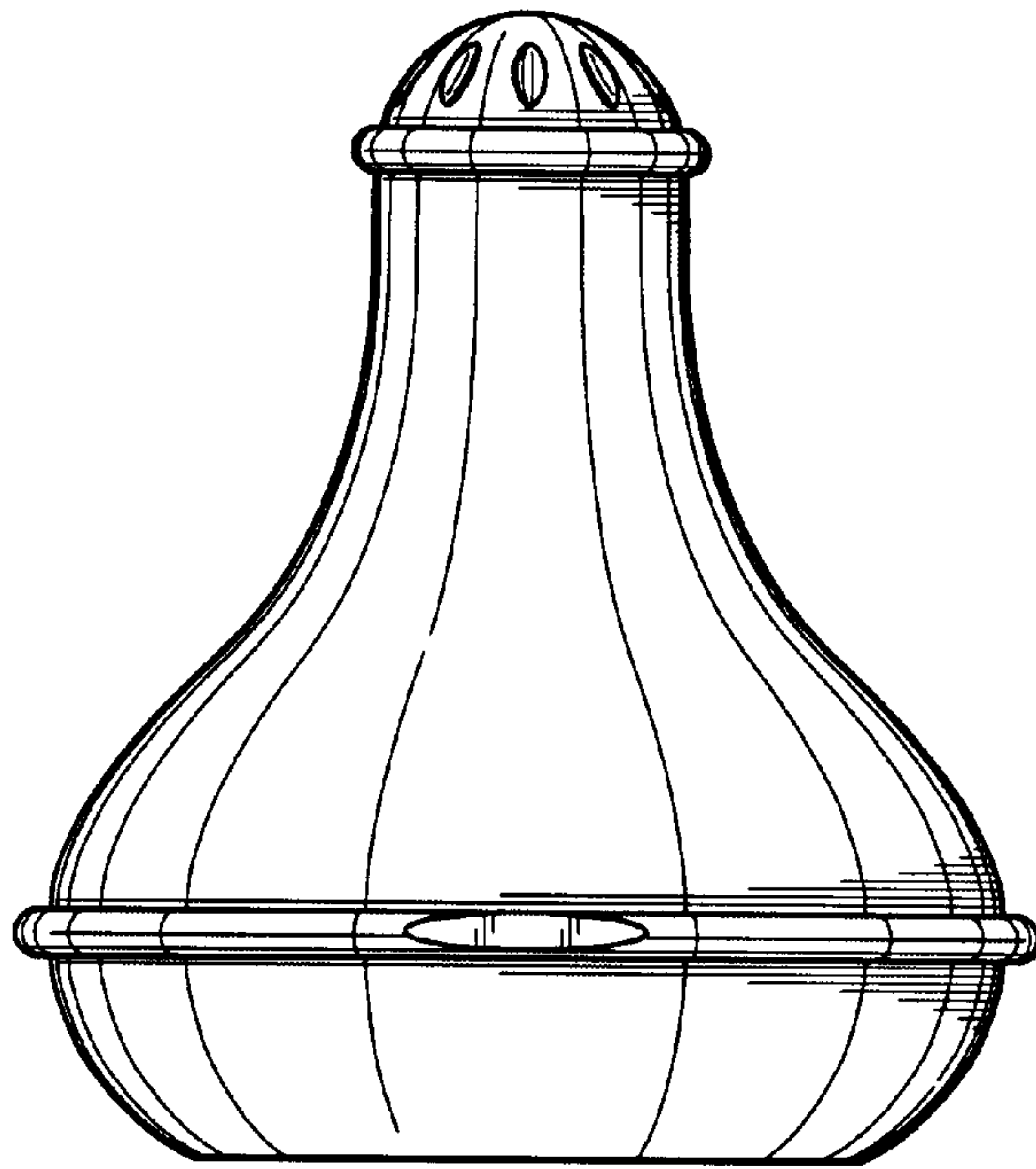


FIG. 6

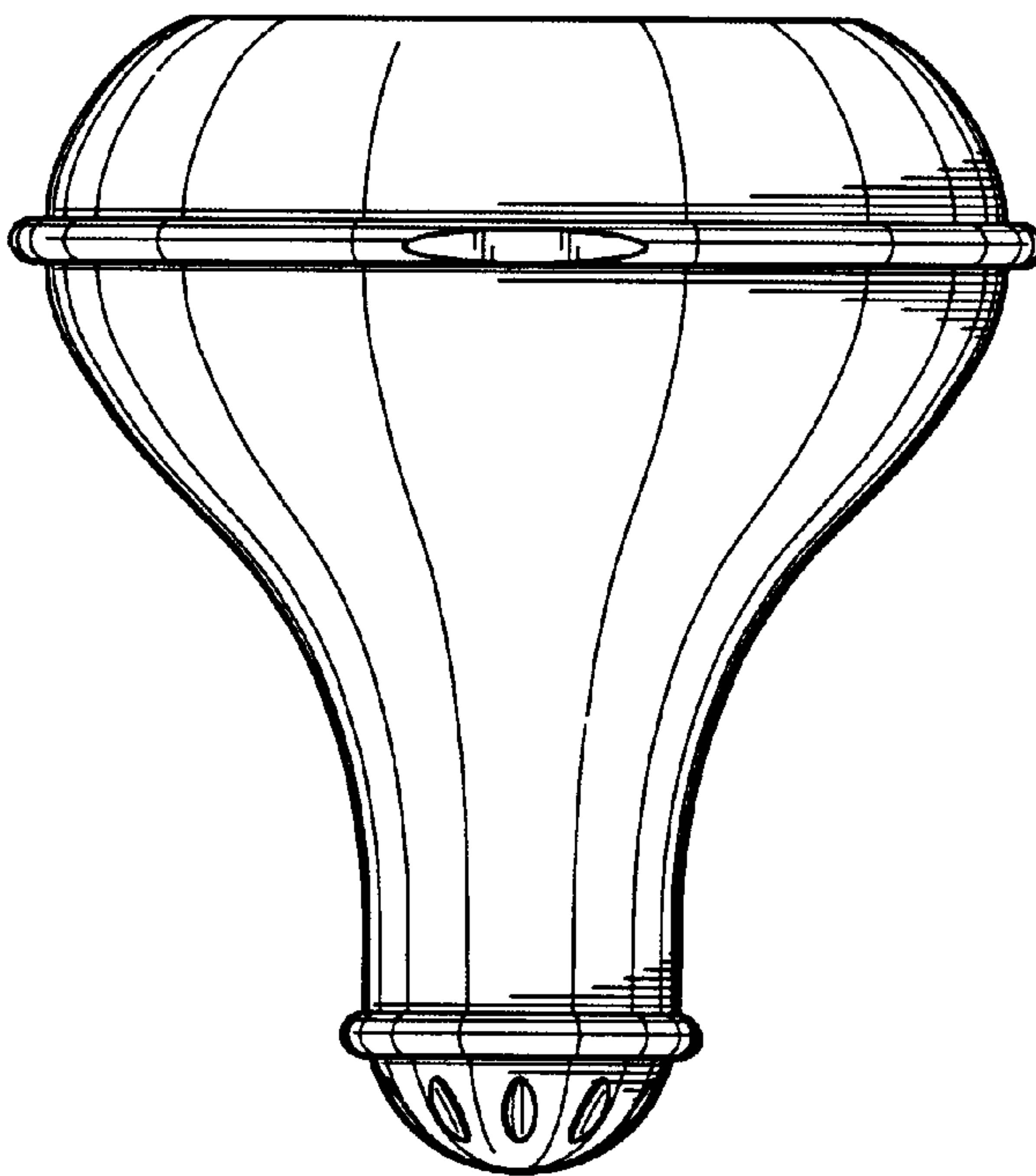


FIG. 7