



US00D485494S

(12) **United States Design Patent**  
**Walsh et al.**

(10) **Patent No.:** **US D485,494 S**

(45) **Date of Patent:** **\*\* Jan. 20, 2004**

(54) **CONTAINER**

(75) Inventors: **Michael J. Walsh**, Chesterfield, MO (US); **Mark A. Gilbertson**, Sauk City, WI (US); **Michael J. Brock**, Sun Prairie, WI (US); **Scott G. Manke**, Sun Prairie, WI (US)

(73) Assignee: **Masterchem Industries, Inc.**, Imperial, MO (US)

(\*\*) Term: **14 Years**

(21) Appl. No.: **29/167,981**

(22) Filed: **Sep. 25, 2002**

(51) **LOC (7) Cl.** ..... **09-01**

(52) **U.S. Cl.** ..... **D9/529**

(58) **Field of Search** ..... D9/414, 422, 424, D9/426, 516, 530, 531, 532, 523, 526, 539, 540, 543, 528, 560, 563, 529, 574, 575, 441-442; 215/382-385, 396, 398, 400; 220/510, 601, 675, 696, 761, 766

(56) **References Cited**

**U.S. PATENT DOCUMENTS**

2,120,487 A	6/1938	Conner	
D193,446 S	8/1962	Houghton	
D199,644 S	* 11/1964	Trumbley	..... D9/523
D204,171 S	3/1966	Szajna	
3,438,480 A	4/1969	ChabreLOT	
D214,360 S	6/1969	Huber	
D214,550 S	* 7/1969	Plummer	..... D9/540
D215,411 S	9/1969	Anderson	
D240,391 S	7/1976	Koenigsberg	
4,033,473 A	7/1977	Raley et al.	

D261,088 S	10/1981	Akimov et al.
D266,741 S	11/1982	Cox
D267,631 S	1/1983	Beechuk
4,380,304 A	4/1983	Anderson
D269,948 S	8/1983	Janssen
4,474,303 A	10/1984	Maccise
D277,362 S	1/1985	Epperson
D284,269 S	6/1986	Goettner
D286,024 S	10/1986	Murukurthy
D303,084 S	8/1989	Sedam et al.
D308,166 S	5/1990	Weckman
D311,334 S	10/1990	Flynn et al.
D313,350 S	1/1991	Beaver
D313,935 S	1/1991	Miller

(List continued on next page.)

*Primary Examiner*—Philip S. Hyder  
*Assistant Examiner*—Carol Rademaker  
(74) *Attorney, Agent, or Firm*—Foley & Lardner

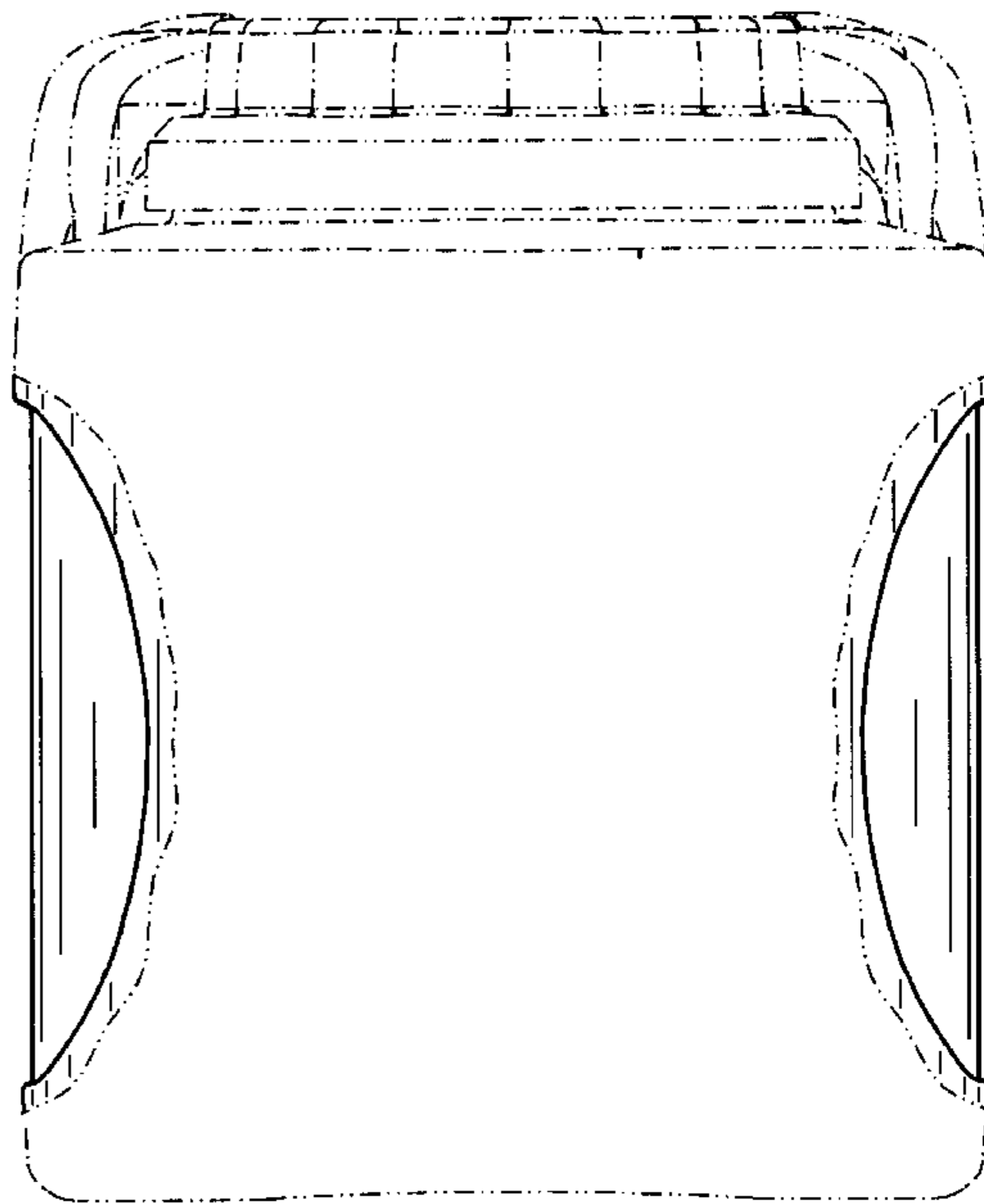
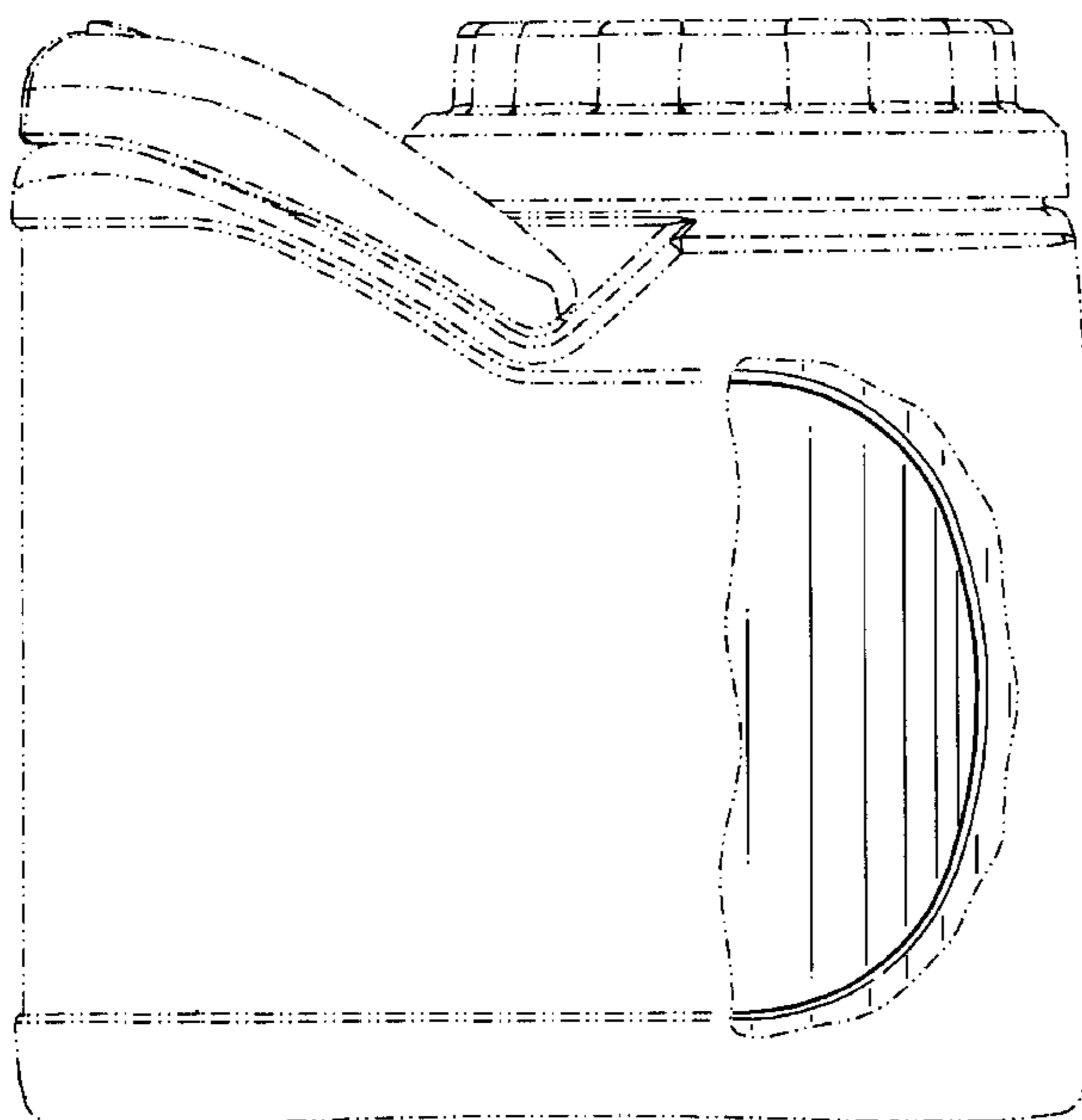
(57) **CLAIM**

We claim the ornamental design for a container, as shown and described.

**DESCRIPTION**

FIG. 1 is a perspective view of a container showing my new design;  
FIG. 2 is a right side view of the design of FIG. 1, the left side view being a mirror image; and,  
FIG. 3 is a rear view of the design of FIG. 1.  
The ornamental design which is claimed is shown in solid lines in the drawings. The broken lines in the drawings are for illustrative purposes only and form no part of the claimed design.

**1 Claim, 2 Drawing Sheets**



# US D485,494 S

Page 2

## U.S. PATENT DOCUMENTS

D320,345 S	10/1991	Hamly et al.	5,823,345 A	10/1998	Nask et al.
D323,456 S	1/1992	Gonda	D405,014 S	2/1999	Nask et al.
5,108,009 A	4/1992	Davidson et al.	D407,973 S	4/1999	Miller et al.
5,269,438 A	12/1993	Kelsey	D415,687 S	10/1999	Lai et al.
5,299,710 A	4/1994	Welsch et al.	D426,161 S	6/2000	Hestehave et al.
D347,790 S	6/1994	Lathrop et al.	D428,817 S	8/2000	Olson et al.
D349,056 S *	7/1994	Jaramillo ..... D9/523	D431,472 S	10/2000	Cain et al.
D351,792 S	10/1994	Morris, Sr.	D433,193 S *	10/2000	Gaw et al. .... D28/91.1
D352,659 S	11/1994	Nilsson et al.	D435,455 S	12/2000	Gans
5,377,858 A	1/1995	Morris, Sr.	6,223,945 B1	5/2001	Giblin et al.
D355,854 S	2/1995	Baron et al.	D446,012 S	8/2001	Ashiwa et al.
D357,417 S	4/1995	Van Keimpema et al.	D455,656 S	4/2002	Gans et al.
D362,180 S	9/1995	Haines	D462,012 S	8/2002	Manderfield, Jr.
D367,612 S *	3/1996	Shaw et al. .... D9/504	6,530,500 B2	3/2003	Bravo et al.
D370,850 S	6/1996	Beaver	D475,628 S *	6/2003	Walsh et al. .... D9/530
D378,494 S	3/1997	Miller	2002/0195471 A1	12/2002	Nottingham et al.
D383,392 S *	9/1997	Quayle et al. .... D9/528			
D393,520 S	4/1998	Christy			
D396,009 S	7/1998	Reubens			
5,787,839 A	8/1998	Magnant et al.			

\* cited by examiner

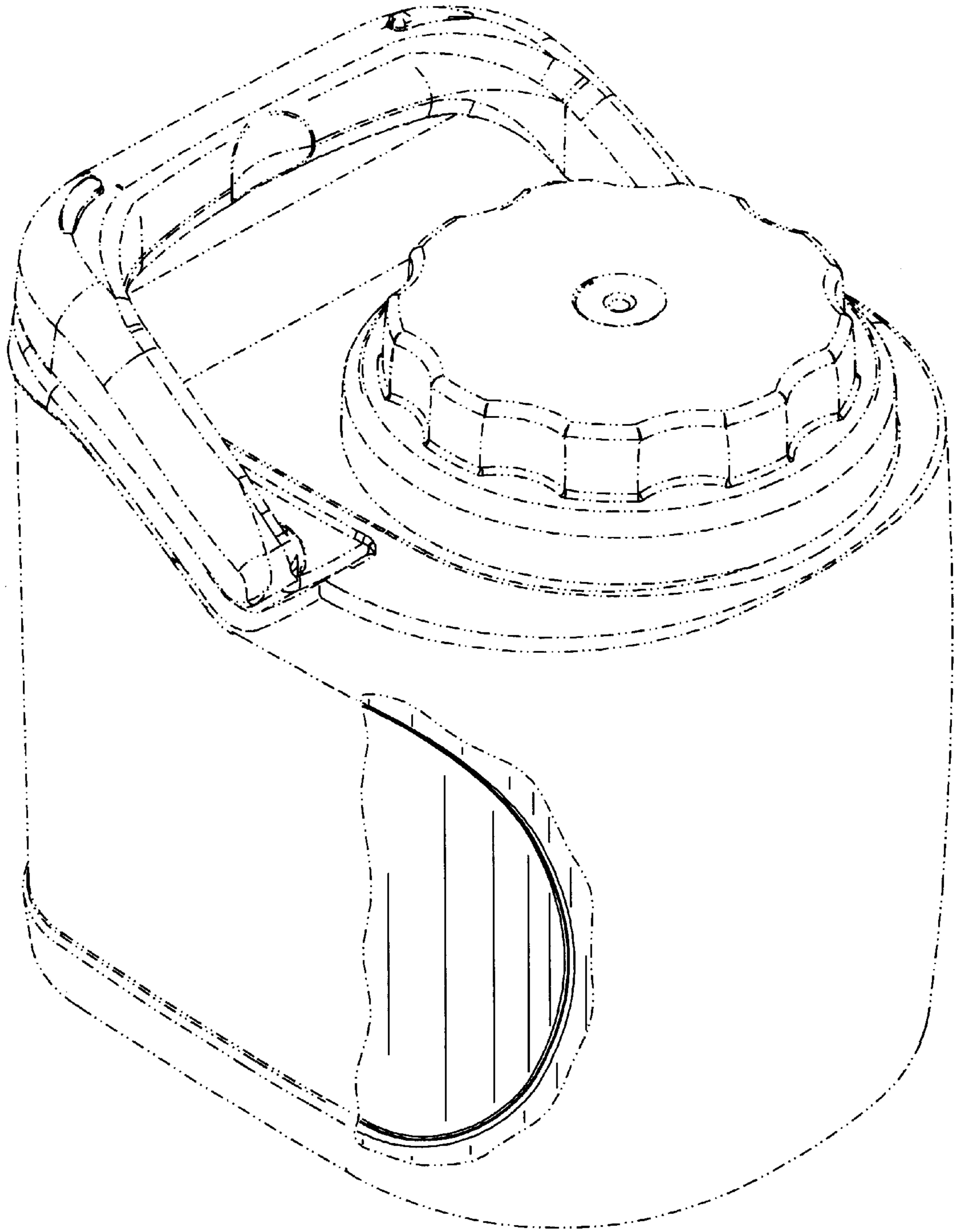


FIG. 1

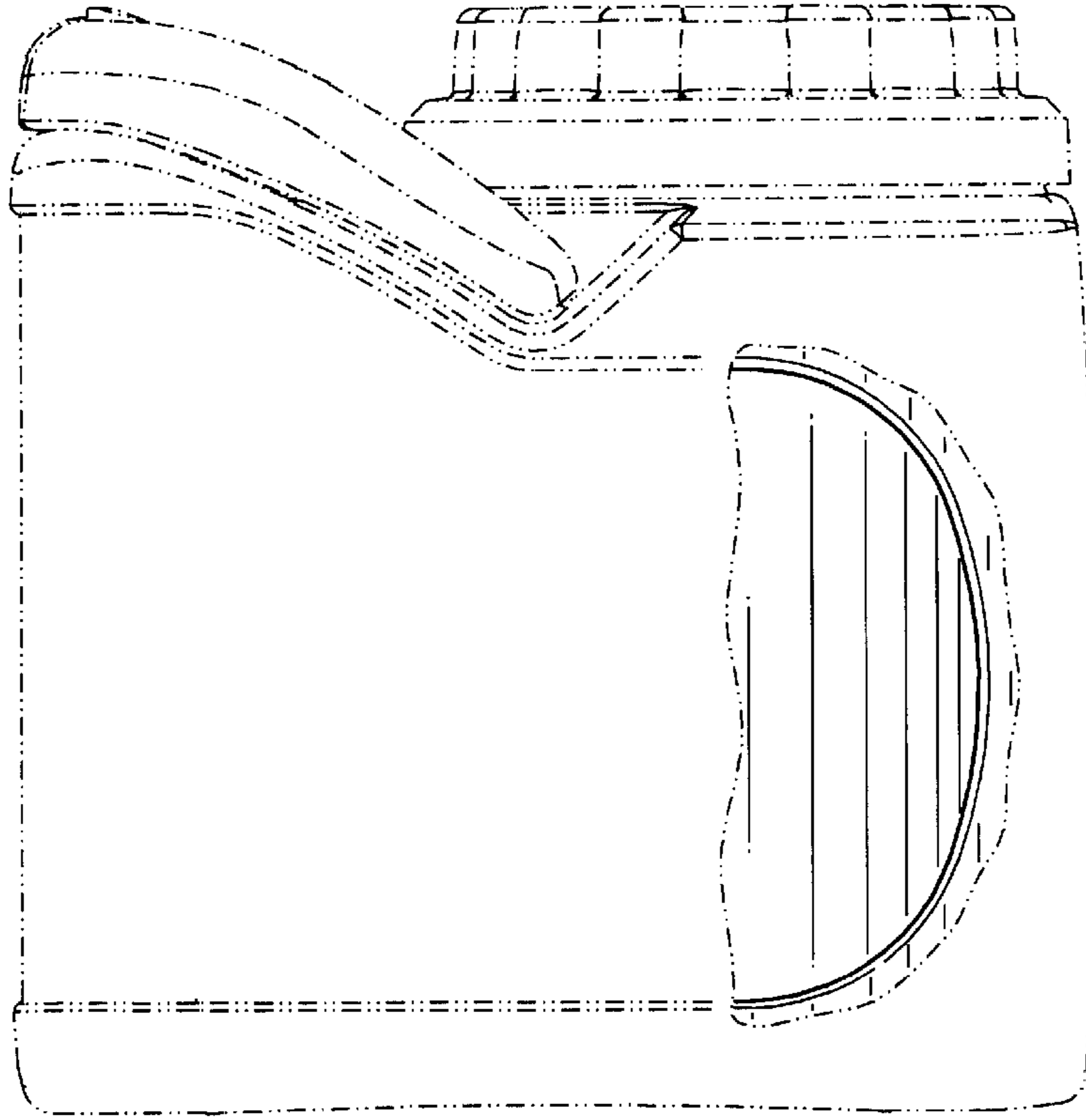


FIG. 2

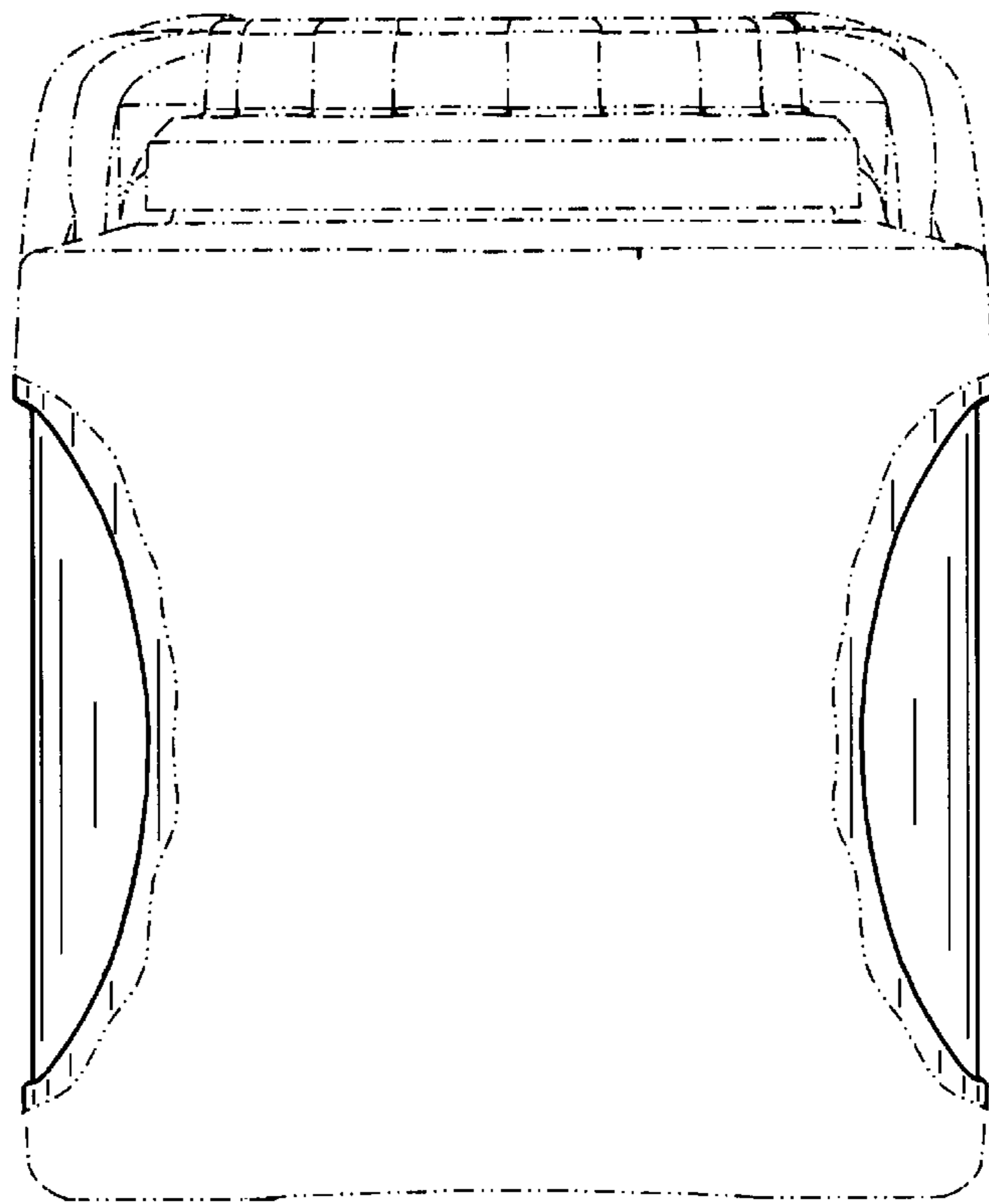


FIG. 3