



US00D485489S

(12) **United States Design Patent**
Kadlubowski et al.

(10) **Patent No.:** **US D485,489 S**
(45) **Date of Patent:** **** Jan. 20, 2004**

(54) **SPRAYER CARTRIDGE**

(75) Inventors: **Bryan Michael Kadlubowski**,
Manchester, MD (US); **David Edward Wilson**,
Reisterstown, MD (US); **Ryan Norris Blystone**,
Greensboro, NC (US)

(73) Assignee: **The Procter & Gamble Company**,
Cincinnati, OH (US)

(**) Term: **14 Years**

(21) Appl. No.: **29/166,325**

(22) Filed: **Aug. 26, 2002**

Related U.S. Application Data

(60) Provisional application No. 60/359,425, filed on Feb. 25,
2002.

(51) **LOC (7) Cl.** **09-01**

(52) **U.S. Cl.** **D9/300**

(58) **Field of Search** D9/300, 302, 338,
D9/447, 448, 504, 529; D28/91.1; D22/108;
102/501; 222/192; 239/362, 327, 304, 355,
338, 419; 401/1

(56) **References Cited**

U.S. PATENT DOCUMENTS

D158,554 S * 5/1950 Cady D28/91.1 AR

3,004,778 A * 10/1961 Gorman 239/362
D375,256 S * 11/1996 Chadfield D9/302
D443,728 S * 6/2001 Gaw et al. D28/91.1
D464,564 S * 10/2002 Wilson et al. D9/338

* cited by examiner

Primary Examiner—Paula A. Mortimer

(74) *Attorney, Agent, or Firm*—Dara M. Kendall; Vlad
Vitenberg; Tara M. Rosnell

(57) **CLAIM**

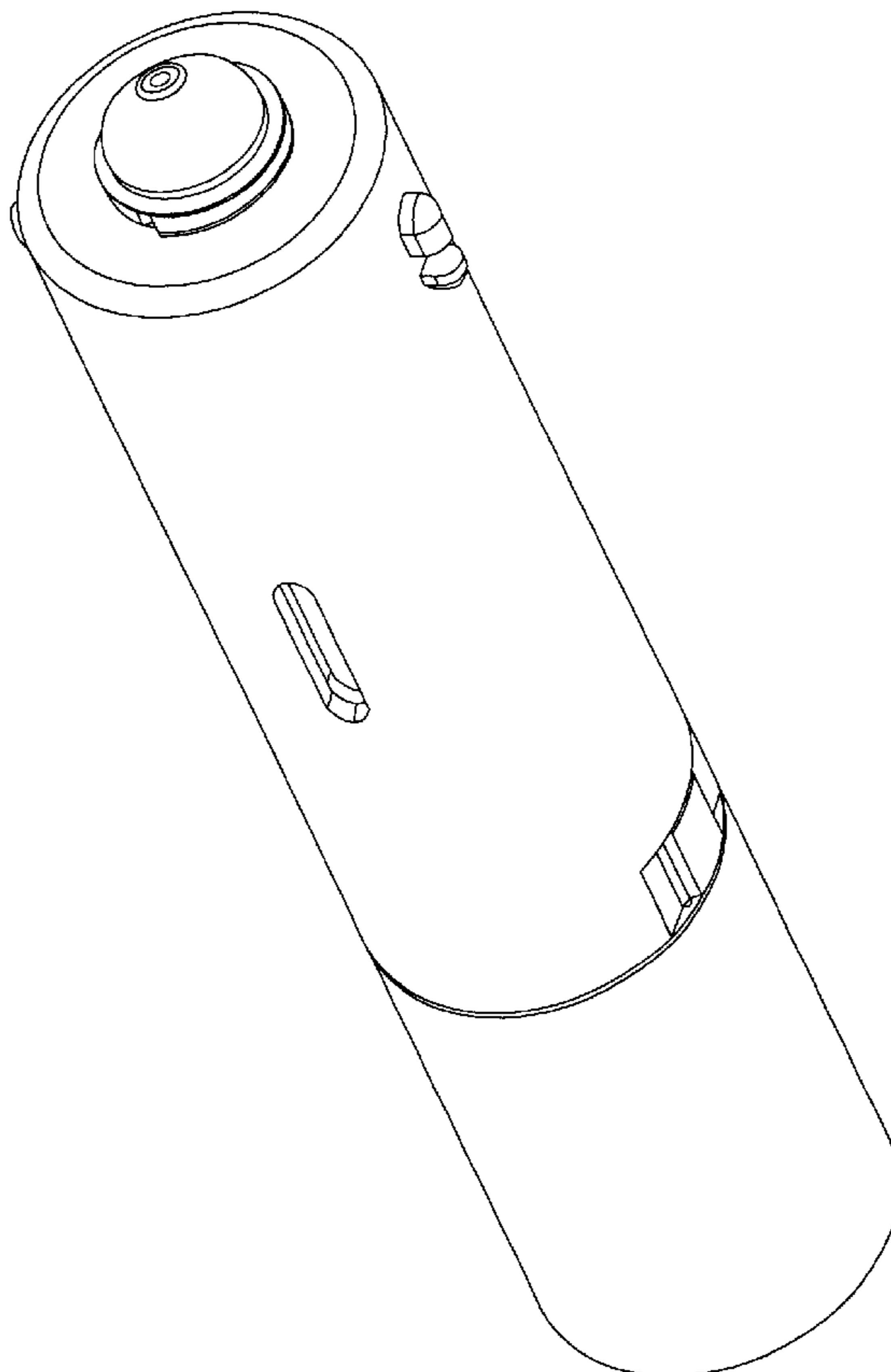
A sprayer cartridge, as shown and described above.

DESCRIPTION

FIG. 1 is a front view thereof;
FIG. 2 is a right side view thereof;
FIG. 3 is a left side view thereof;
FIG. 4 is a top plan view thereof;
FIG. 5 is a bottom view thereof; and,
FIG. 6 is a perspective view of the sprayer cartridge
embodying our new design.

The broken line showing in FIGS. 1, 2, and 3 is for
illustrative purposes only and forms no part of the claimed
design.

1 Claim, 3 Drawing Sheets



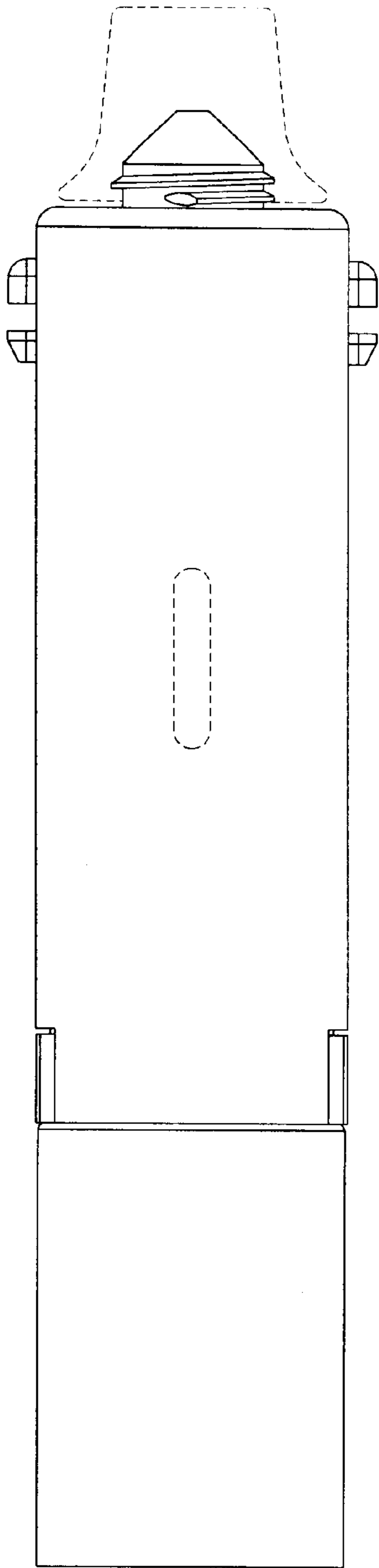


Fig. 1

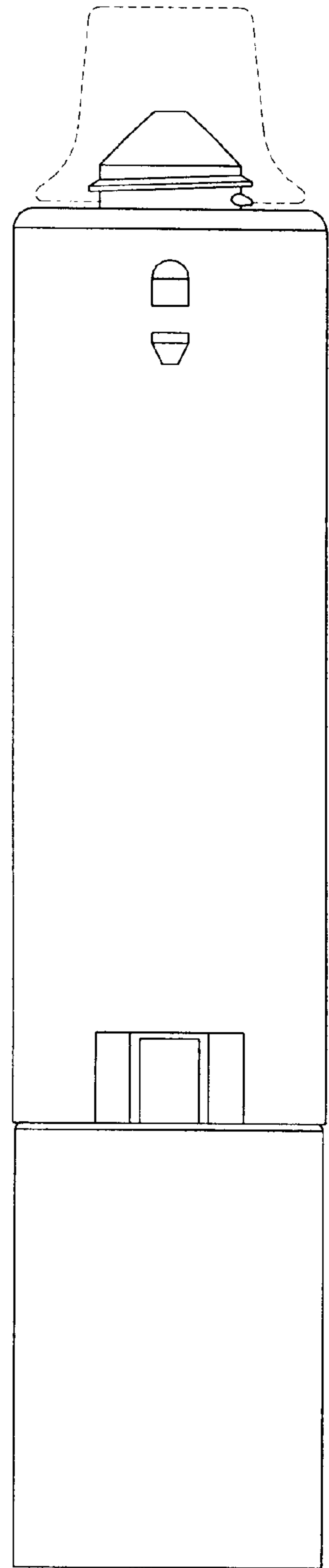


Fig. 2

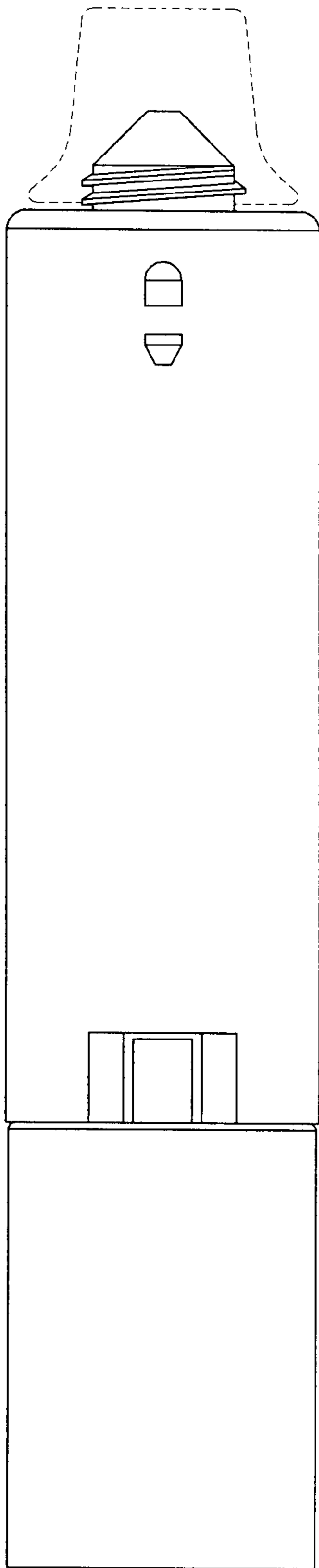


Fig. 3

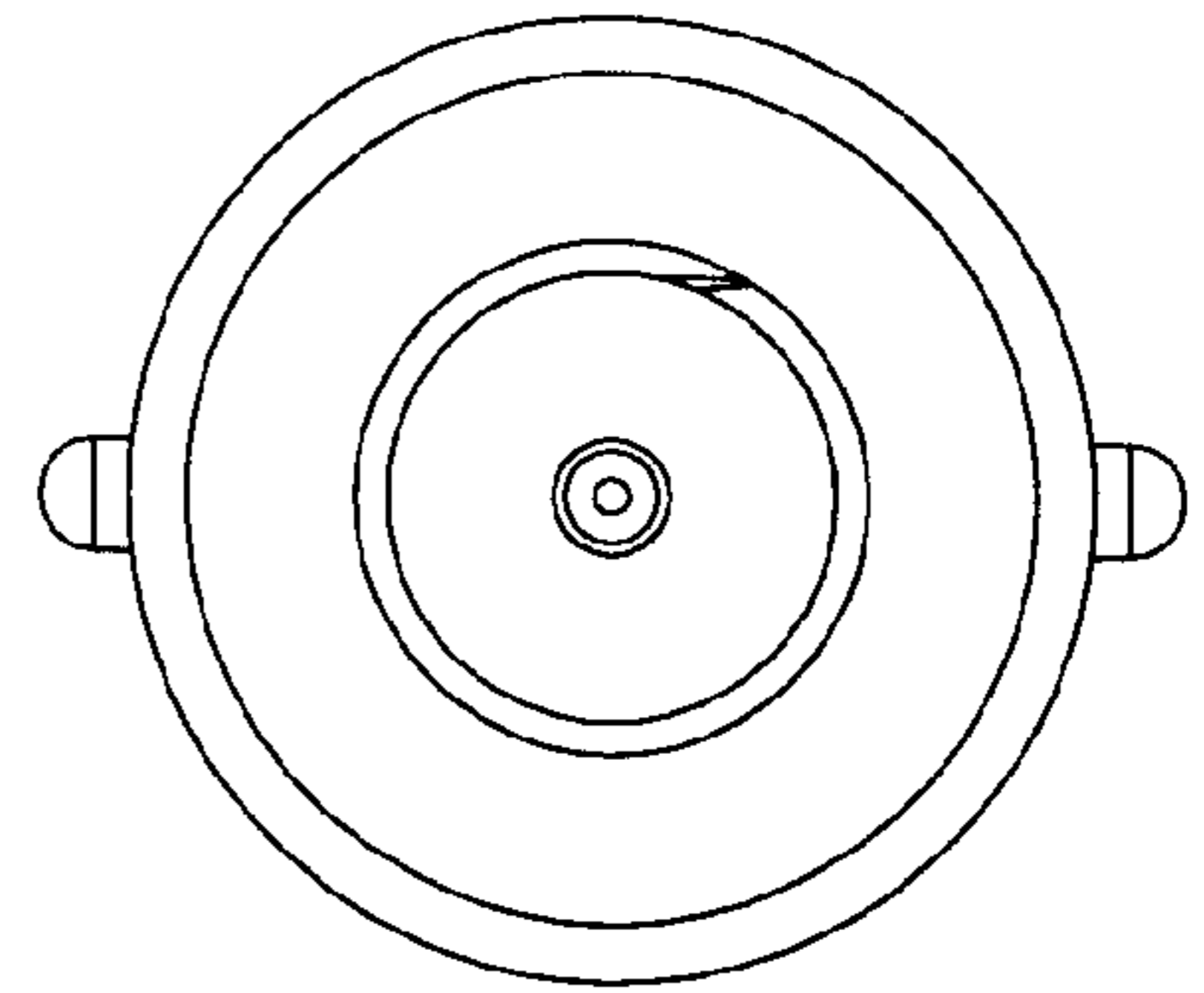


Fig. 4

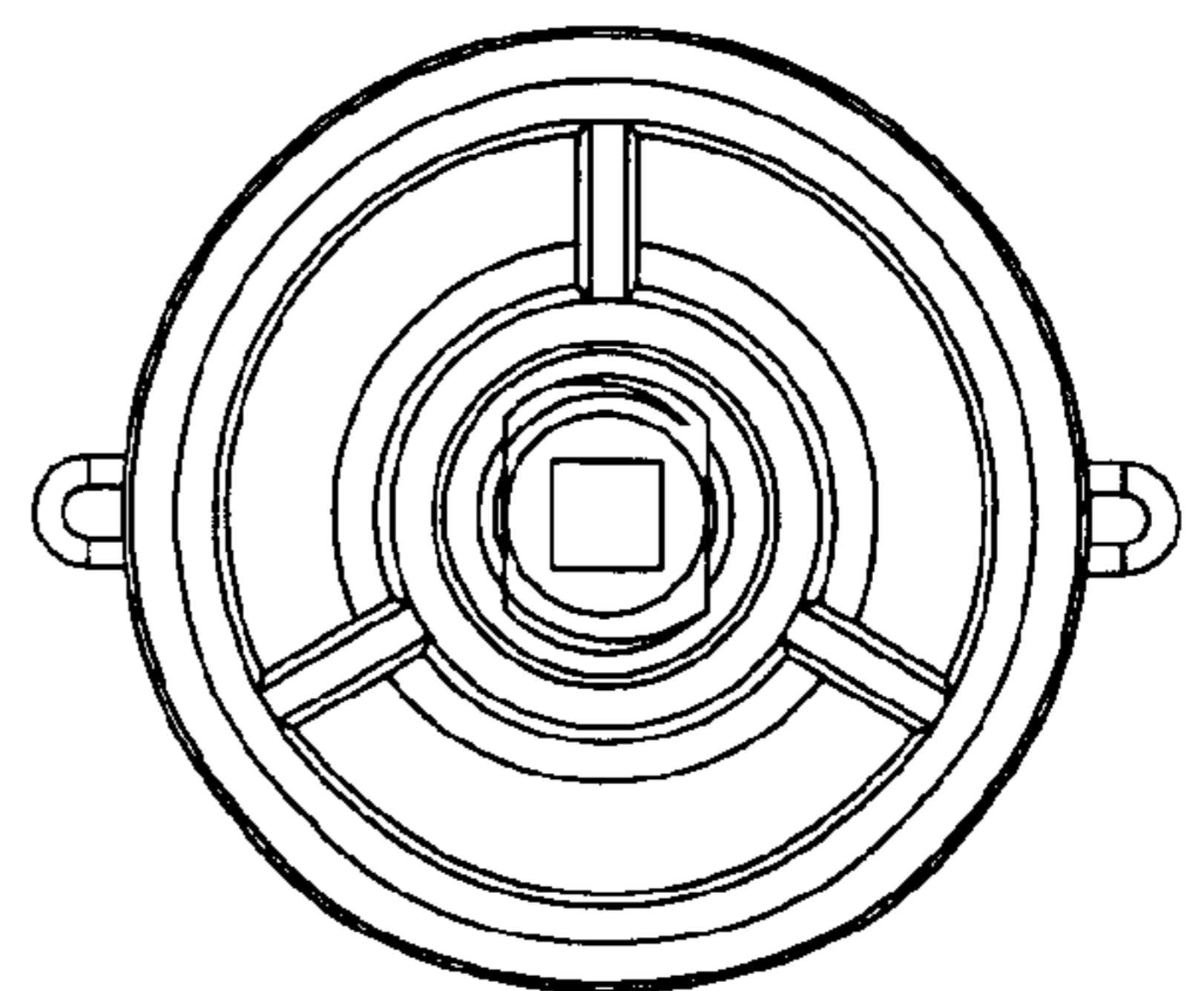


Fig. 5

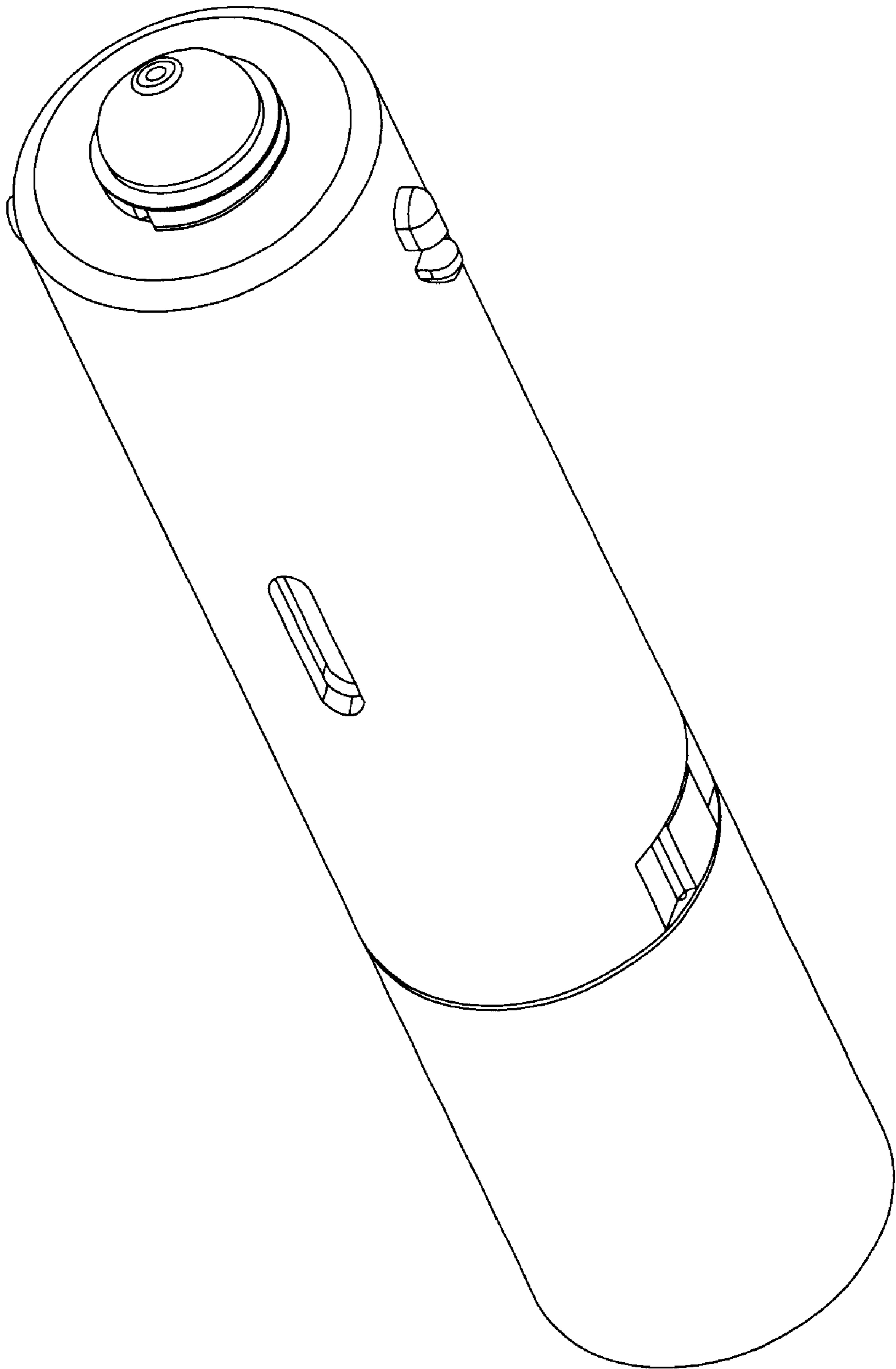


Fig. 6