



US00D485486S

(12) **United States Design Patent**
Fuchs

(10) **Patent No.:** **US D485,486 S**
(45) **Date of Patent:** **** Jan. 20, 2004**

(54) **ORNAMENTATION FOR A FIXTURE**

(76) Inventor: **Thomas P. Fuchs**, 38 W. 9th St., New York, NY (US) 10012

(**) Term: **14 Years**

(21) Appl. No.: **29/178,669**

(22) Filed: **Mar. 28, 2003**

(51) **LOC (7) Cl.** **08-05**

(52) **U.S. Cl.** **D8/367**

(58) **Field of Search** D8/367; D6/524, D6/546, 549, 550; 211/87.01, 13.1; 248/302-303

(56) **References Cited**

U.S. PATENT DOCUMENTS

D357,576 S	*	4/1995	Steinweis	D2/978
D362,615 S	*	9/1995	Shames et al.	D8/367
D426,734 S		6/2000	Fuchs		
D439,087 S		3/2001	Fuchs		
D442,073 S	*	5/2001	Lyndon	D8/367
D449,952 S	*	11/2001	Lyndon	D6/549
D461,985 S		8/2002	Fuchs		
D462,554 S		9/2002	Fuchs		

OTHER PUBLICATIONS

“Brass Art Solutions”, 2002 Allied Brass Mfg. Co., Full Line Catalog, 10 pages.
“Knobs & Pulls”, 2001 Allied Brass Mfg. Co., Catalog, 8 pages.

1999 Allied Brass Mfg. Co. Catalog, 4 pages.
1998 Allied Brass Mfg. Co. Catalog, 8 pages.
1995 Allied Brass Mfg. Co., 1 page.
1992 Allied Brass Mfg. Co. Catalog, 8 pages.
Originals by Valerie, 1992 Allied Brass Mfg. Co. Catalog, 8 pages.
Wall-Door & Cabinet Hardware, Allied Brass Mfg. Co., 1 page.

* cited by examiner

Primary Examiner—Holly Baynham
(74) *Attorney, Agent, or Firm*—Carter Ledyard & Milburn LLP; John M. Johnson

(57) **CLAIM**

The ornamental design for an ornamentation for a fixture, substantially as shown and described.

DESCRIPTION

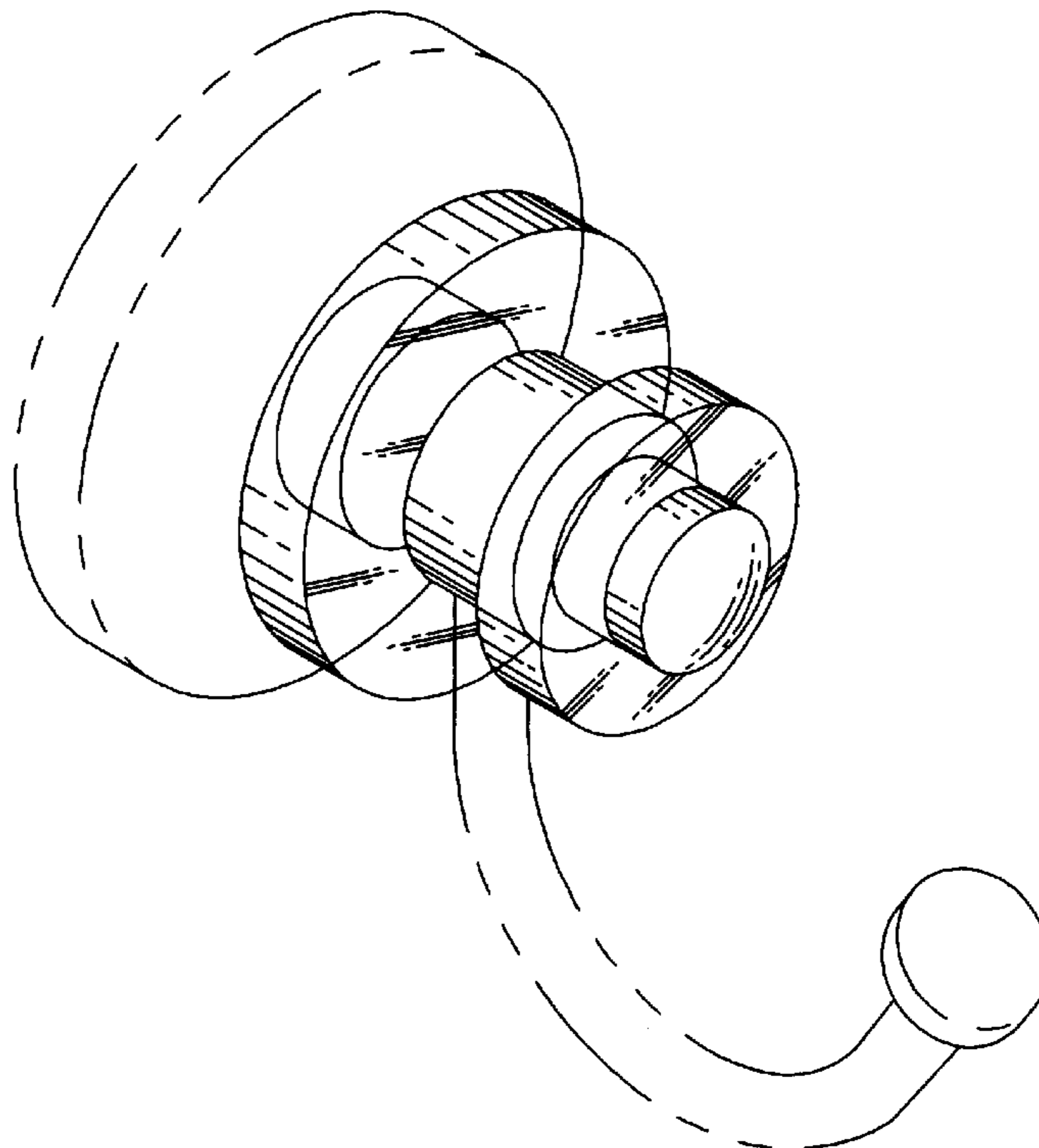
FIG. 1 is a perspective view of an ornamentation for a fixture according to the present invention, the elements of the fixture being shown in broken lines and thus not forming a part of the claimed design;

FIG. 2 is a side elevation view thereof, the right side being a mirror image of the left side;

FIG. 3 is a front view thereof; and,

FIG. 4 is a back view thereof.

1 Claim, 1 Drawing Sheet



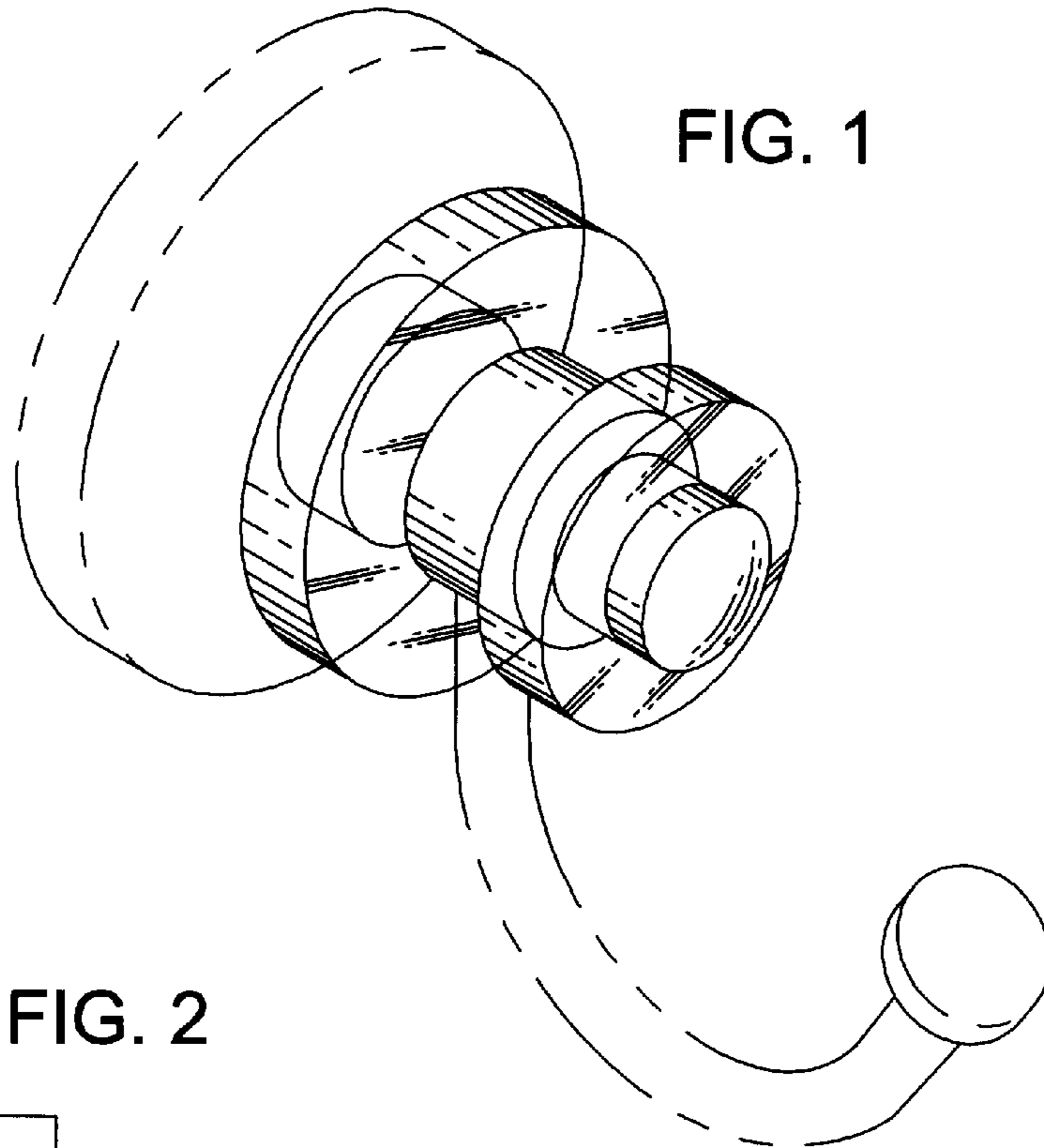


FIG. 2

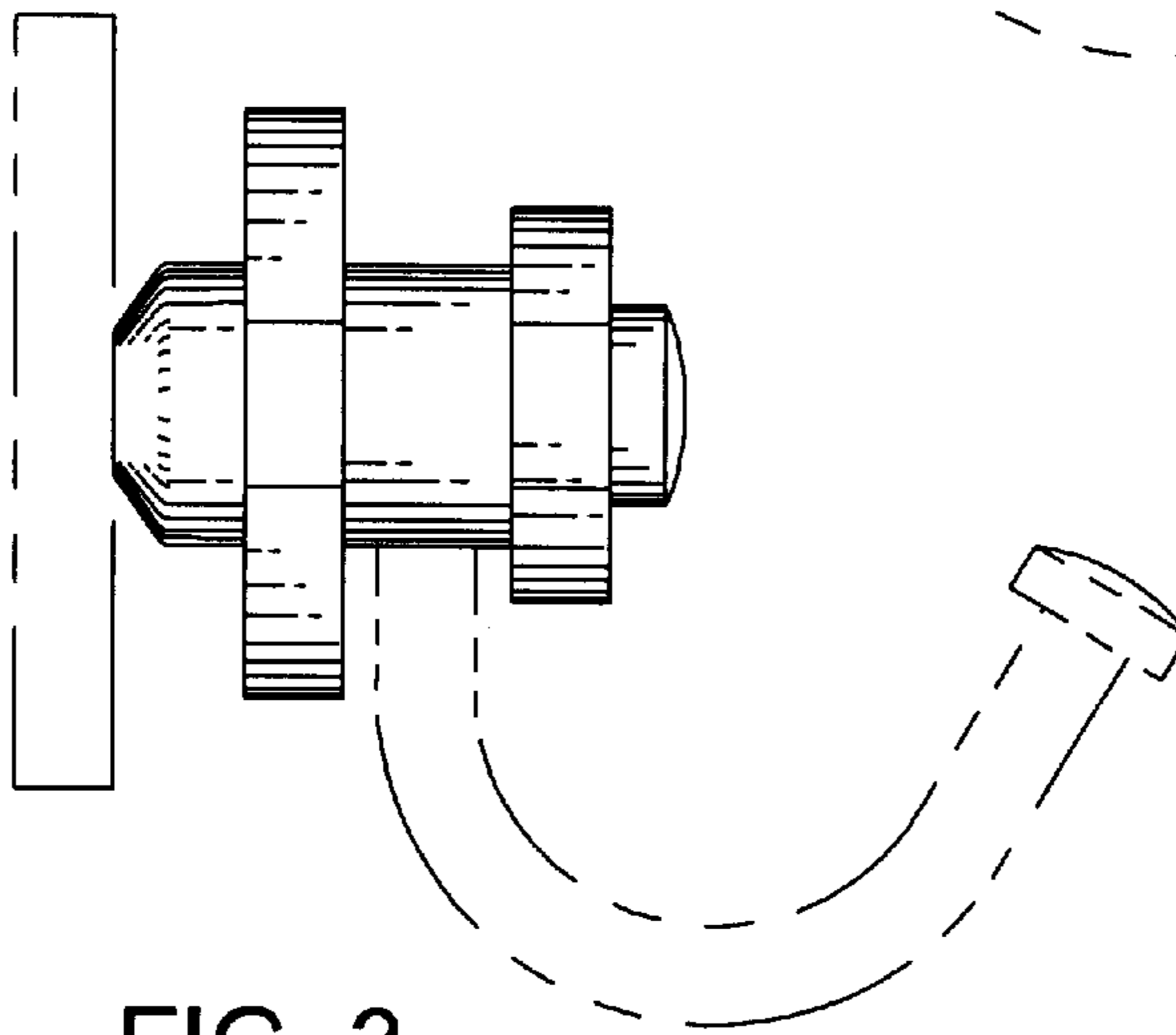


FIG. 3

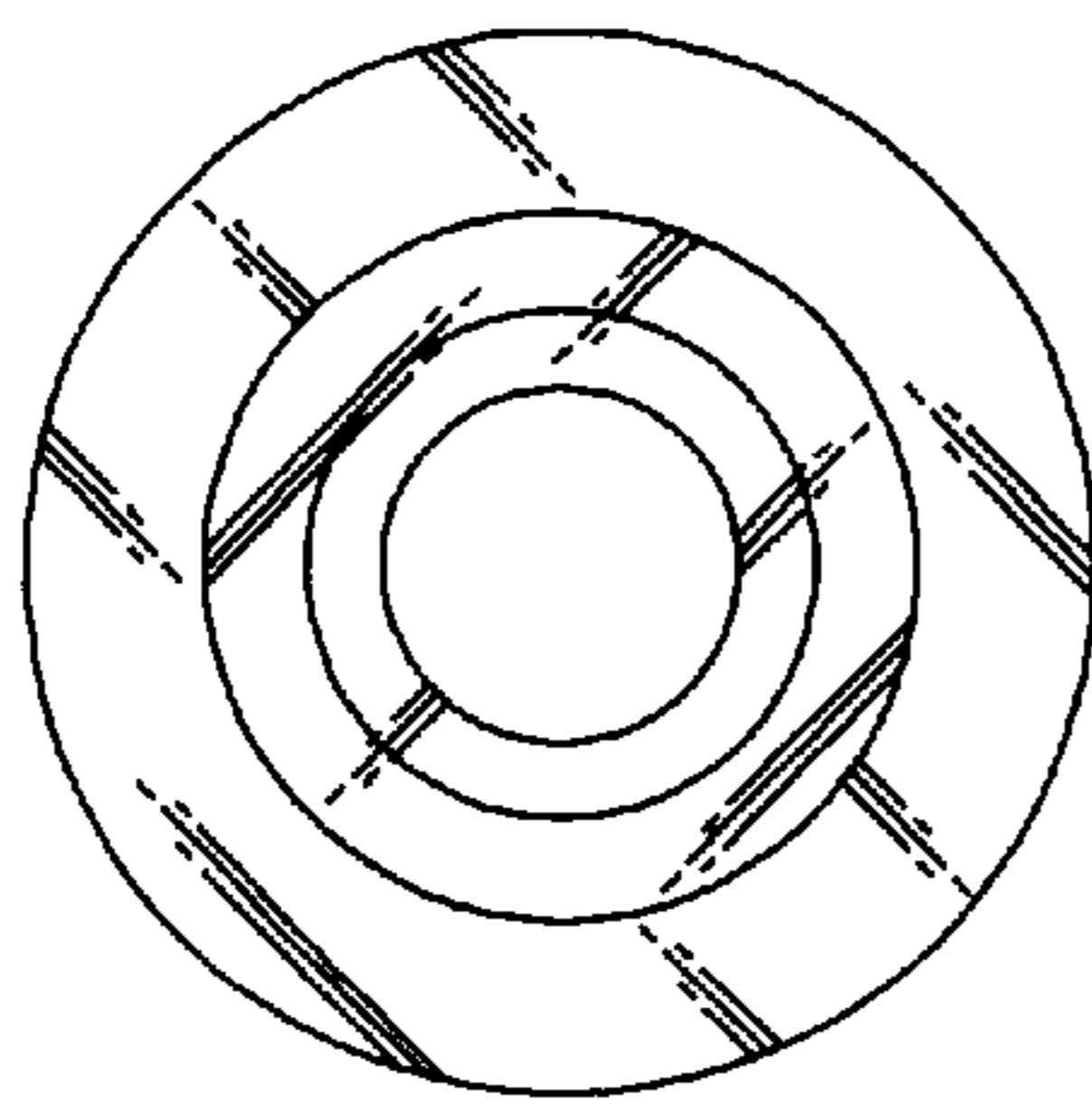


FIG. 4

