



US00D485485S

(12) **United States Design Patent**
Loken et al.

(10) **Patent No.:** **US D485,485 S**

(45) **Date of Patent:** **** Jan. 20, 2004**

(54) **CABLE STOP FOR A DRUM BRAKE**

6,302,245 B1 * 10/2001 Ikeda 188/79.51
6,374,962 B1 * 4/2002 Doolittle 188/79.51
6,615,957 B2 * 9/2003 Mizuno et al. 188/106 A

(75) Inventors: **Philip Ingmar Loken**, Edwardsburg,
MI (US); **Patrick Raymond Landis**,
Washington Township, MI (US)

* cited by examiner

(73) Assignee: **Robert Bosch Corporation**,
Broadview, IL (US)

Primary Examiner—Doris V. Coles
Assistant Examiner—Elizabeth Ann Albert
(74) *Attorney, Agent, or Firm*—Leo H McCormick, Jr.;
Warren Comstock

(**) Term: **14 Years**

(21) Appl. No.: **29/179,954**

(57) **CLAIM**

(22) Filed: **Apr. 17, 2003**

The ornamental design for a cable stop for a drum brake, as shown and described.

(51) **LOC (7) Cl.** **08-08**

DESCRIPTION

(52) **U.S. Cl.** **D8/349**

(58) **Field of Search** D8/349, 354, 373,
D8/380, 394, 395; D12/223; 188/218 XL,
79.51, 79.54; 248/200, 205.1, 300, 309.1,
247, 510, 316.1, 316.7

FIG. 1 is a first perspective view of a cable stop for a drum brake showing our new design;
FIG. 2 is a second perspective view of the cable stop;
FIG. 3 is a top view thereof;
FIG. 4 is a front plan view thereof;
FIG. 5 is a bottom view thereof;
FIG. 6 is a side plan view thereof; and,
FIG. 7 is a rear plan view thereof.

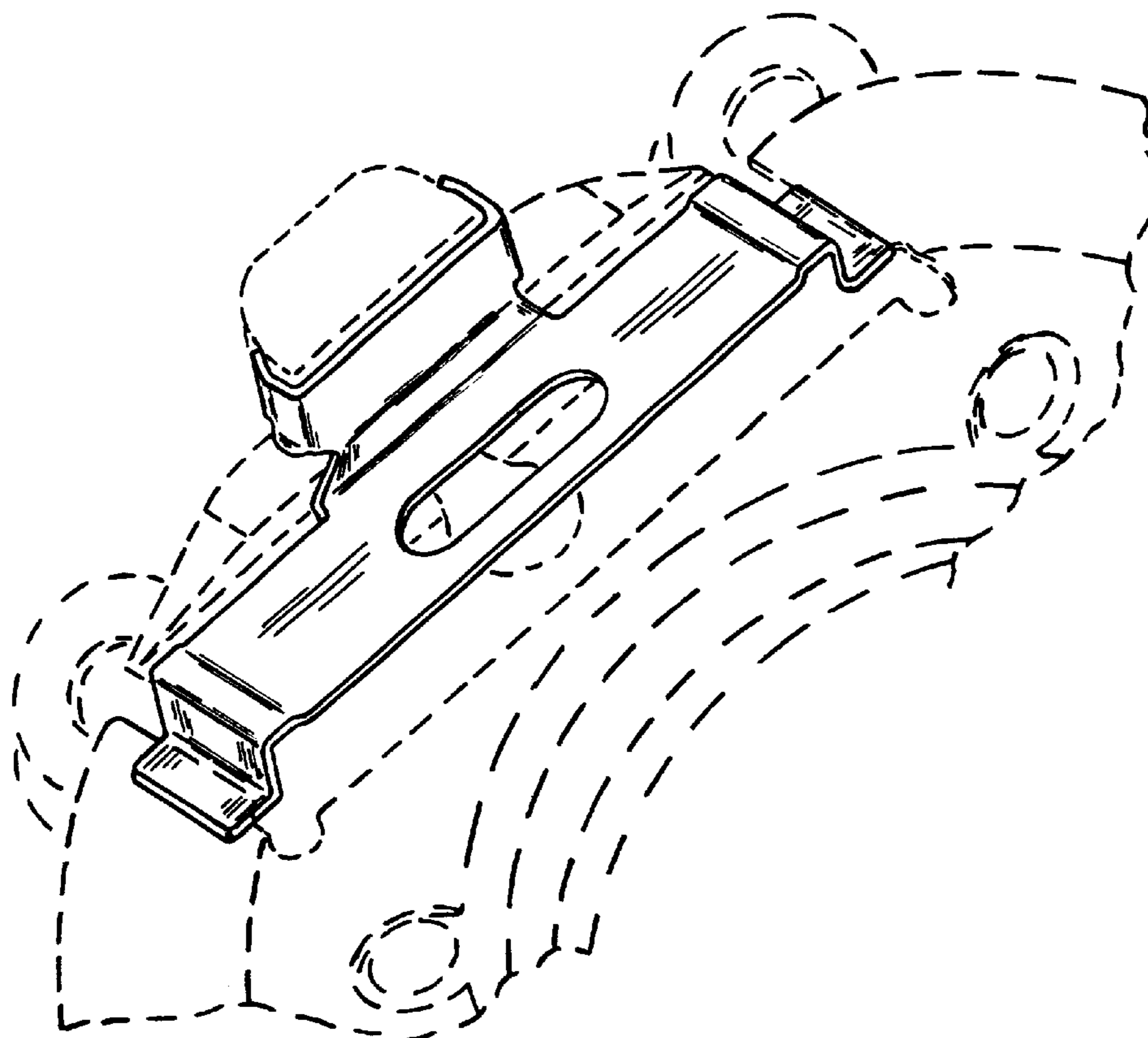
(56) **References Cited**

U.S. PATENT DOCUMENTS

3,703,794 A * 11/1972 Gracon et al. 52/506.05
4,974,708 A * 12/1990 Maligne 188/328
5,311,971 A * 5/1994 Courbot 188/79.54
D349,036 S * 7/1994 Egigian D8/349
5,913,390 A * 6/1999 Hostetler 188/79.51

The drum brake shown by the dashed lines in FIG. 1 is included to illustrate an associated environment and forms no part of the claimed invention.

1 Claim, 2 Drawing Sheets



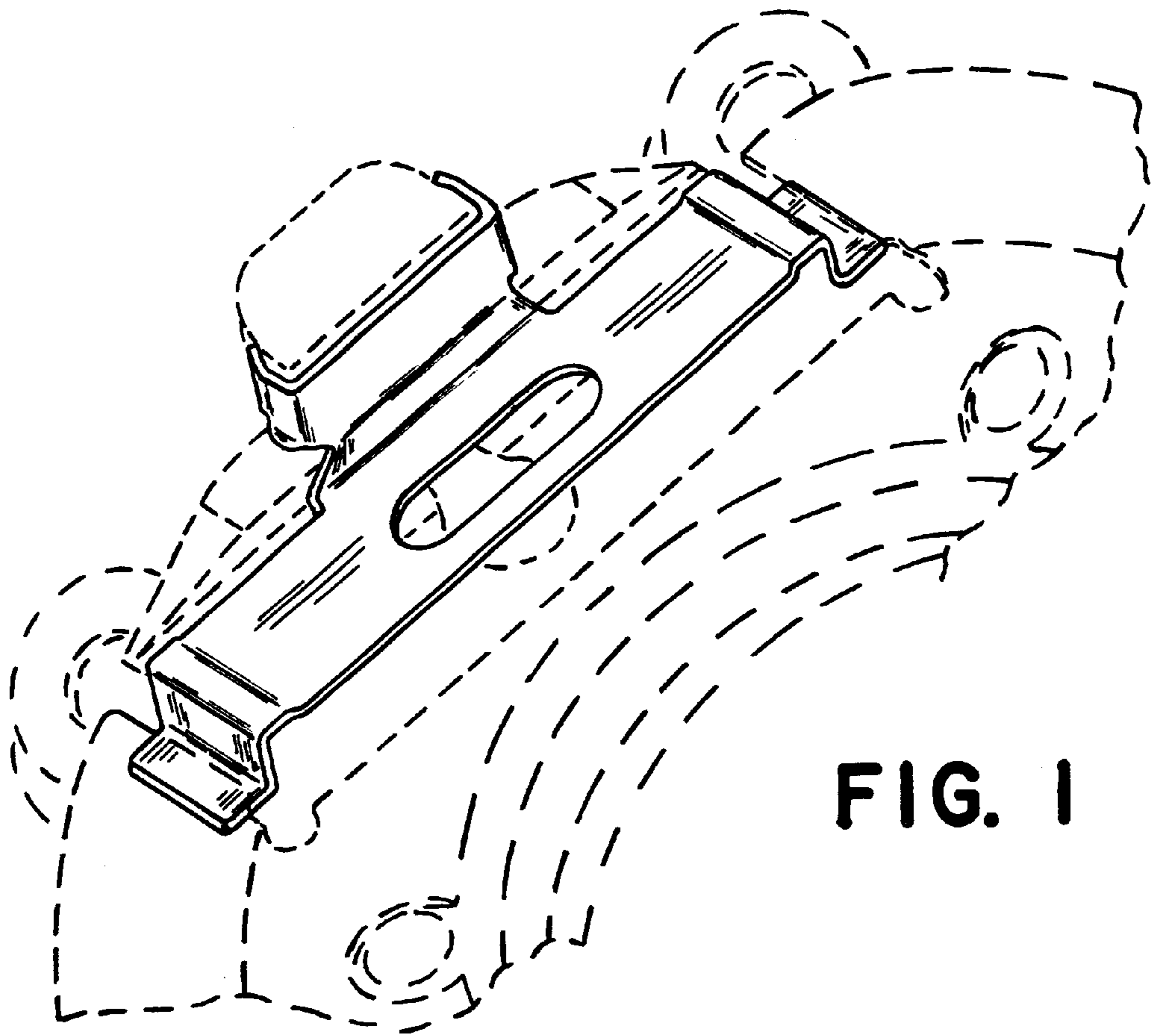


FIG. 1

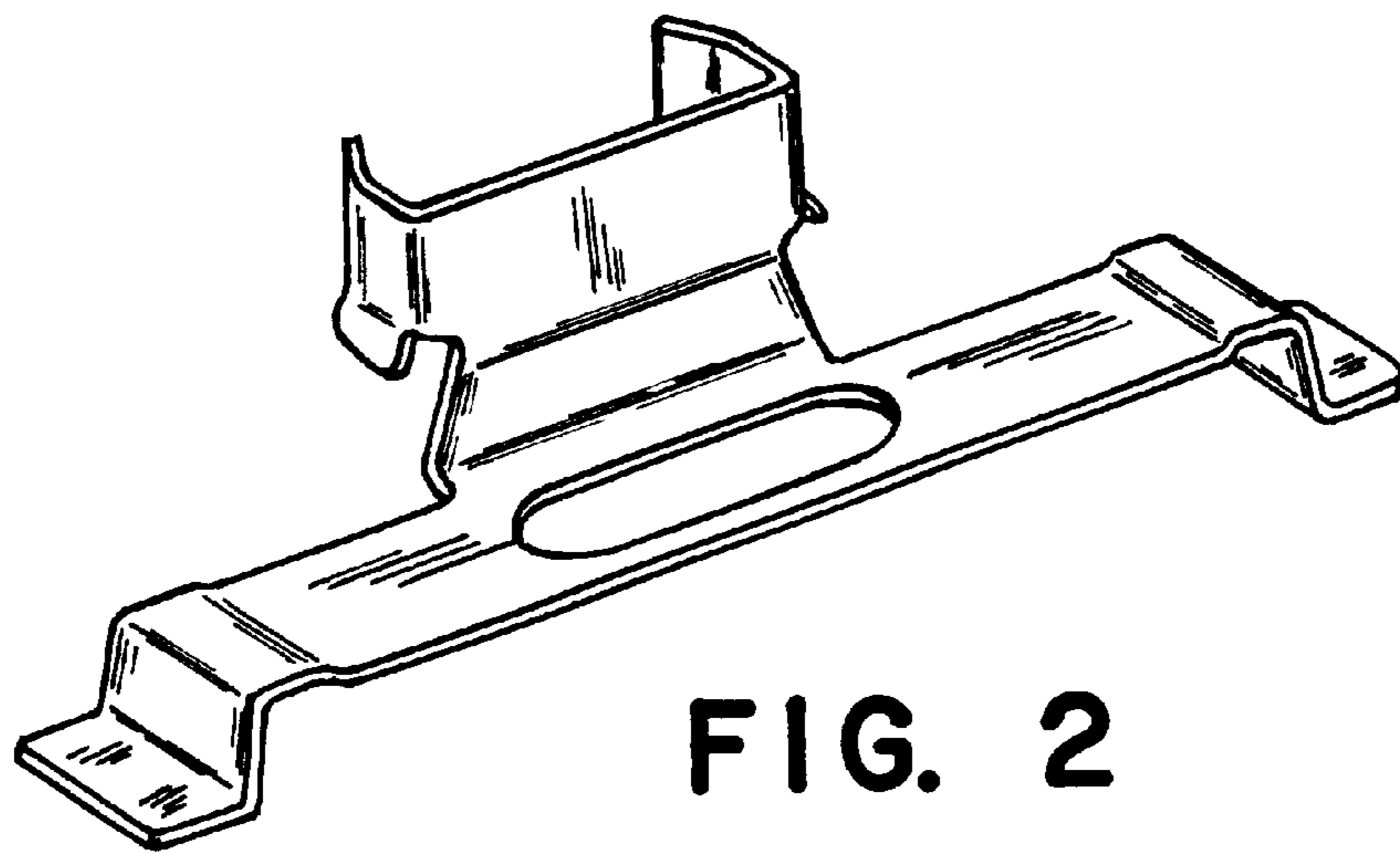


FIG. 2

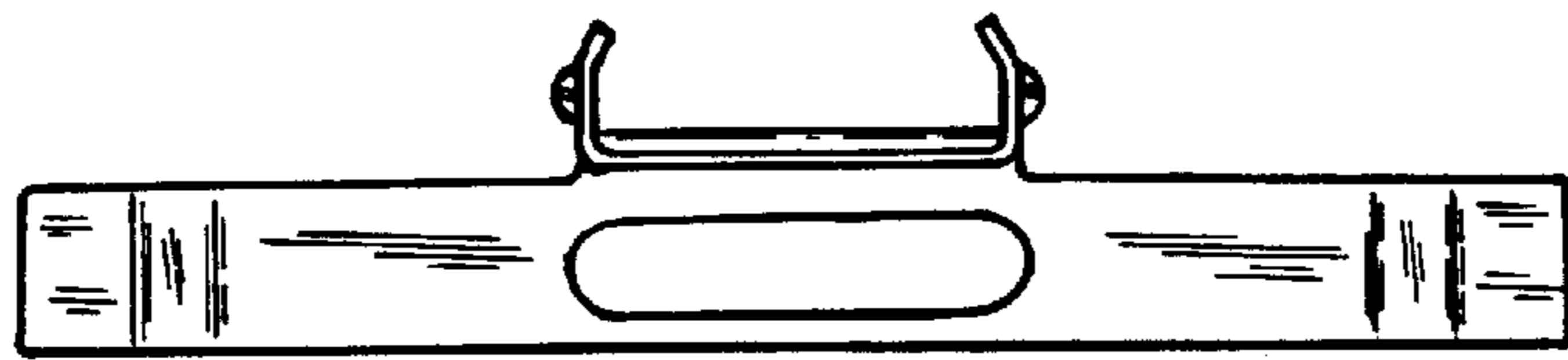


FIG. 3

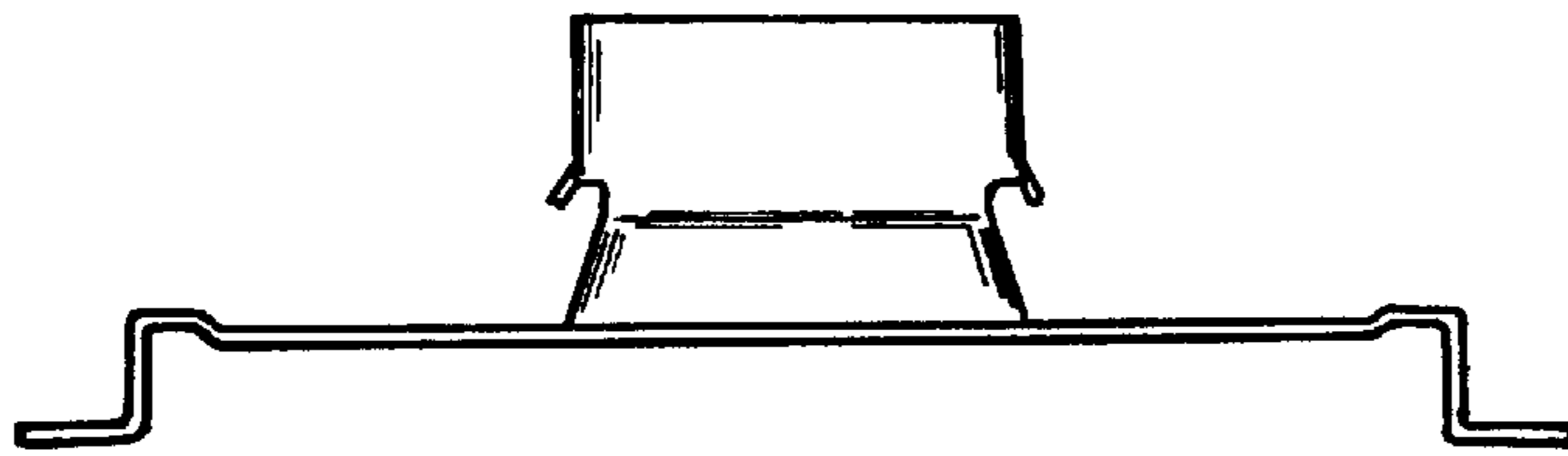


FIG. 4

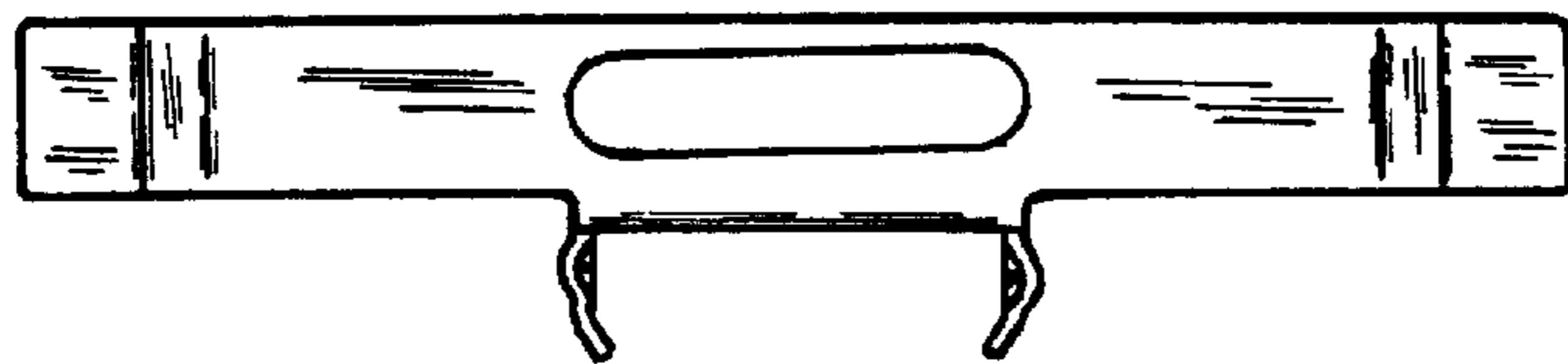


FIG. 5

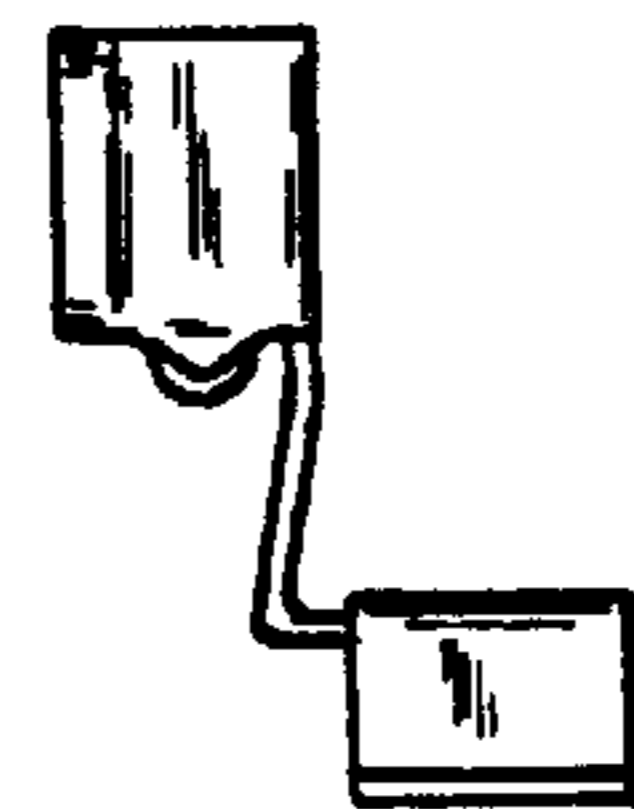


FIG. 6



FIG. 7