



US00D485477S

(12) **United States Design Patent**  
**Gaskins**

(10) **Patent No.:** **US D485,477 S**

(45) **Date of Patent:** **\*\* Jan. 20, 2004**

- (54) **DECK BOARD STRAIGHTENER**
- (76) Inventor: **Garland Jerome Gaskins**, 8160  
Frytown Rd., Warrenton, VA (US)  
20187
- (\*\*) Term: **14 Years**
- (21) Appl. No.: **29/165,538**
- (22) Filed: **Aug. 13, 2002**
- (51) **LOC (7) Cl.** ..... **08-05**
- (52) **U.S. Cl.** ..... **D8/14**
- (58) **Field of Search** ..... D8/14; 254/11,  
254/15-17; 144/381

- D353,987 S 1/1995 Pasto
- 5,419,535 A \* 5/1995 Roberts et al. .... 254/15
- 5,527,014 A 6/1996 Bracewell
- 5,788,221 A \* 8/1998 Muhlebach et al. .... 254/16
- 5,964,450 A \* 10/1999 Pasto ..... 254/11

\* cited by examiner

*Primary Examiner*—Holly Baynham  
(74) *Attorney, Agent, or Firm*—Richard L. Mikesell

(57) **CLAIM**

The ornamental design for a deck board straightener, as shown and described.

**DESCRIPTION**

FIG. 1 is a Top, right front perspective view;  
FIG. 2 is a Left side elevation;  
FIG. 3 is a Bottom Plan;  
FIG. 4 is a Left end elevation; and,  
FIG. 5 is a Right end elevation.

- (56) **References Cited**
- U.S. PATENT DOCUMENTS**
- 3,779,515 A \* 12/1973 Larios et al. .... 254/16
- 4,621,791 A 11/1986 Staskiewicz et al.
- 4,821,784 A 4/1989 Cone
- 5,190,266 A \* 3/1993 Barrera ..... 254/17

**1 Claim, 1 Drawing Sheet**

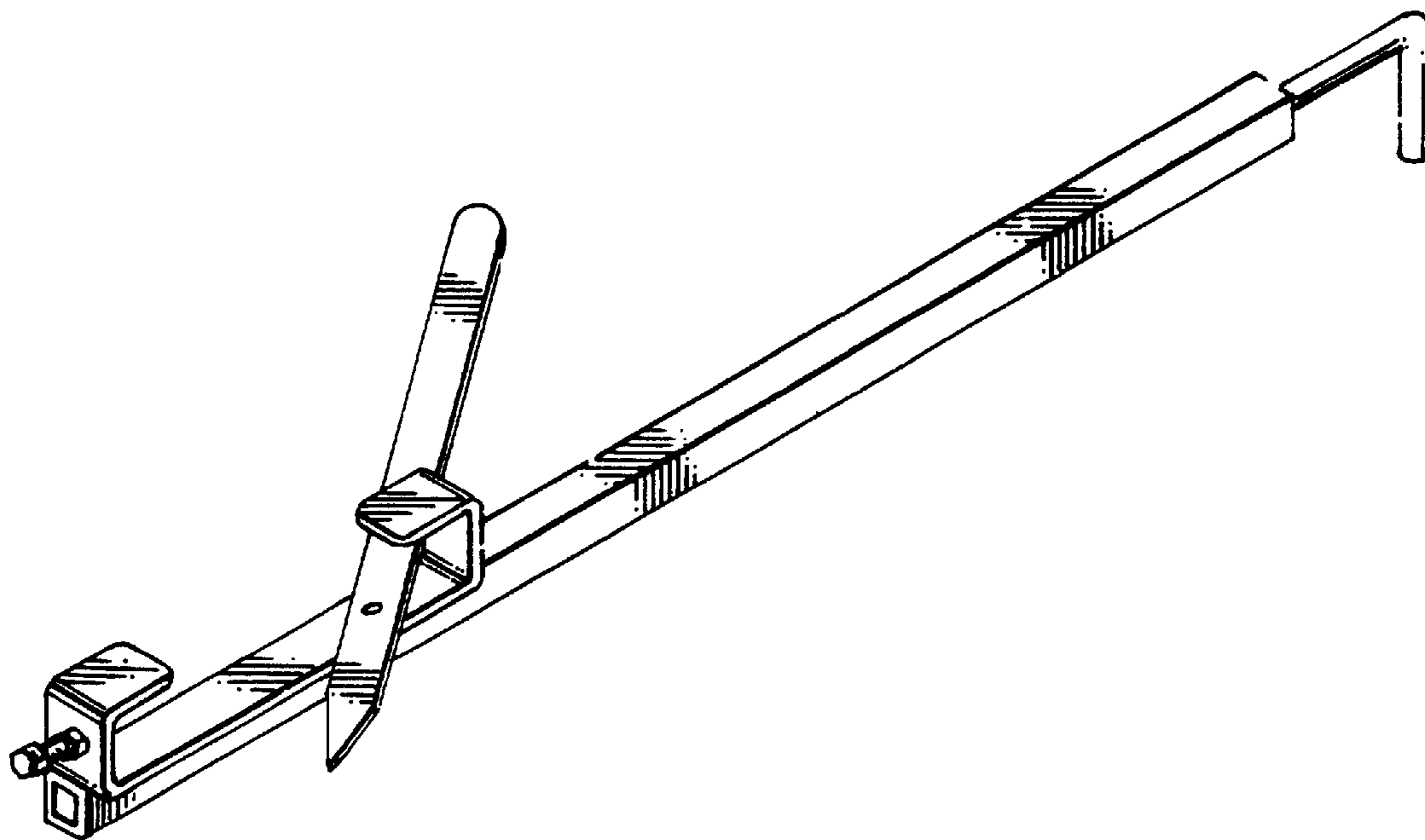


FIG. 1

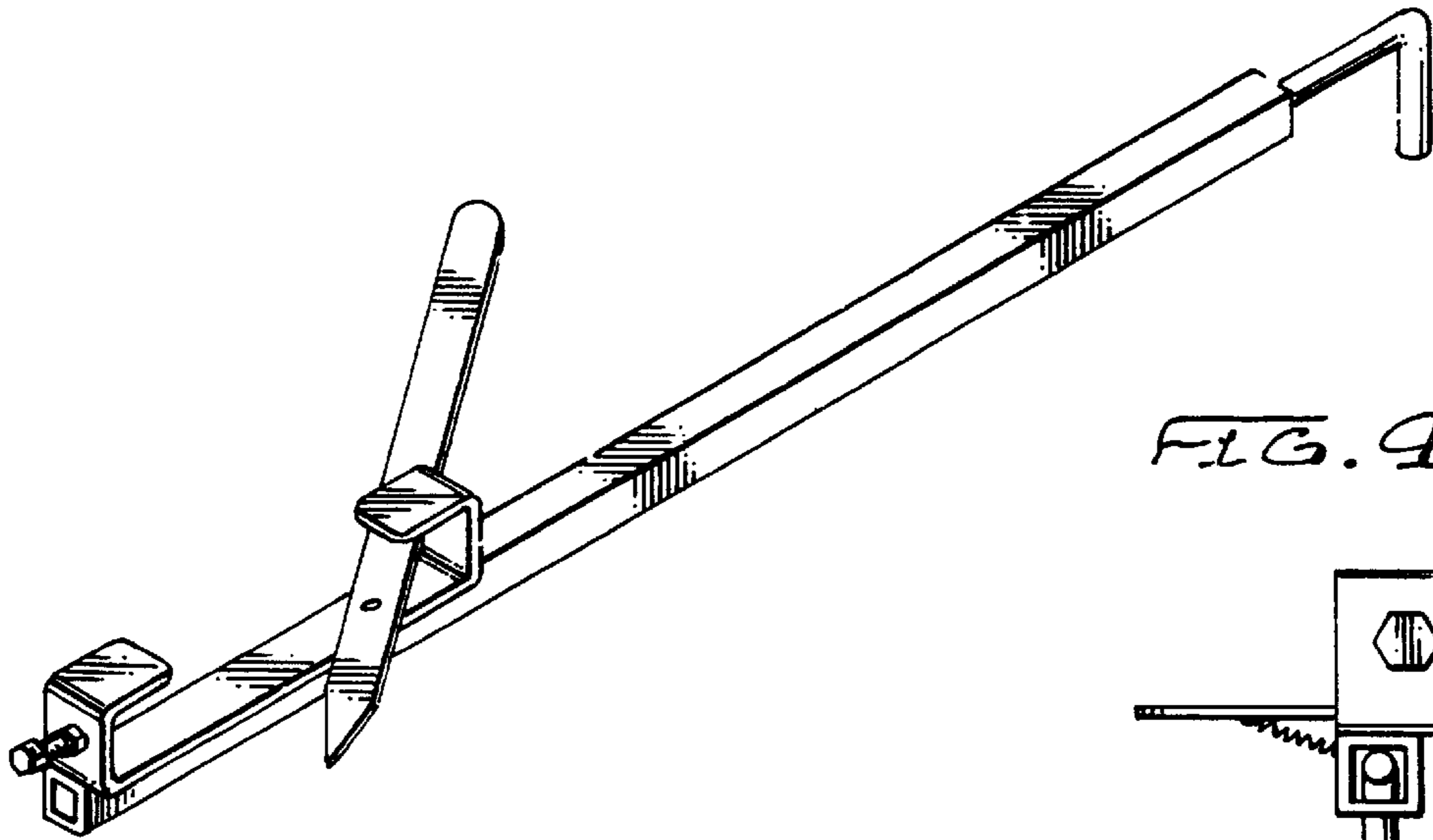


FIG. 4

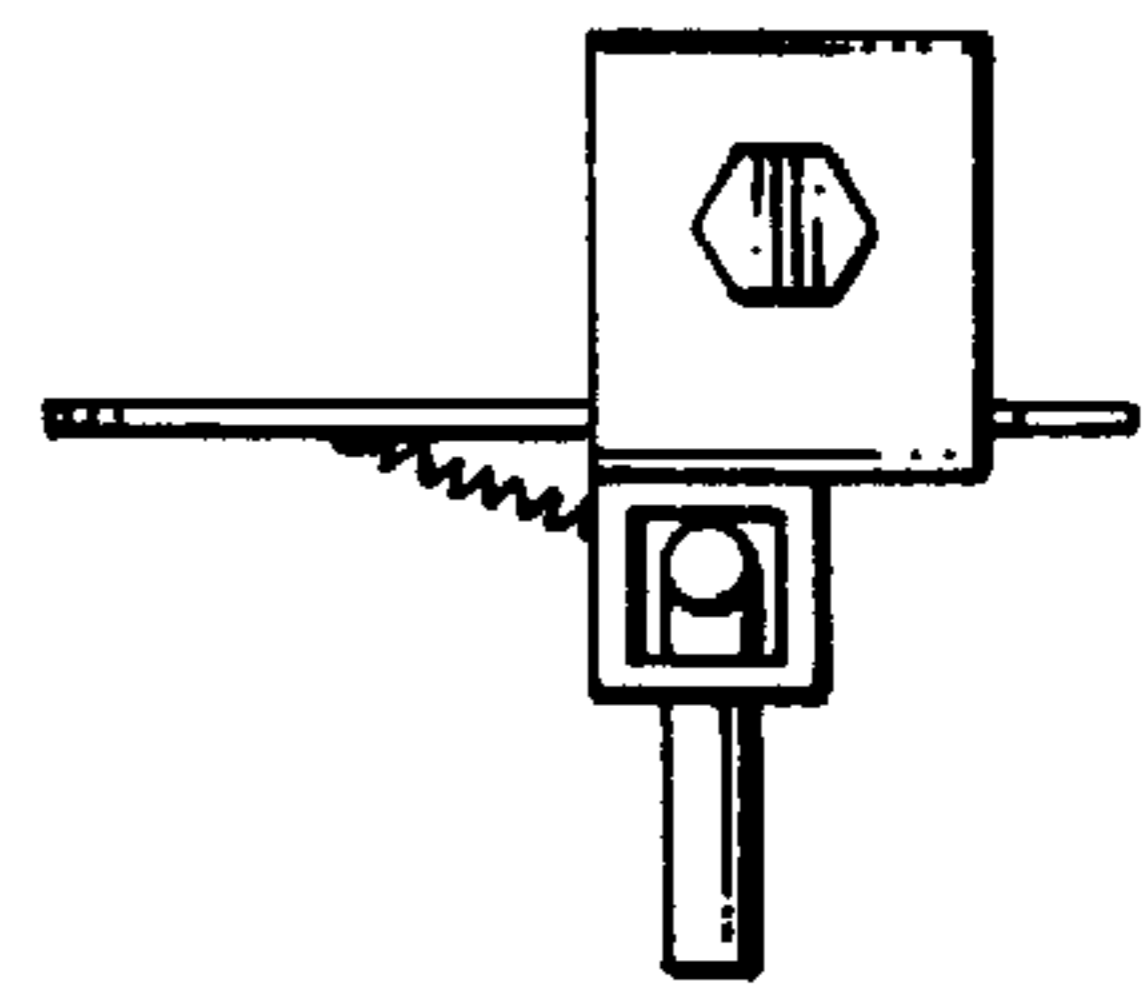


FIG. 2

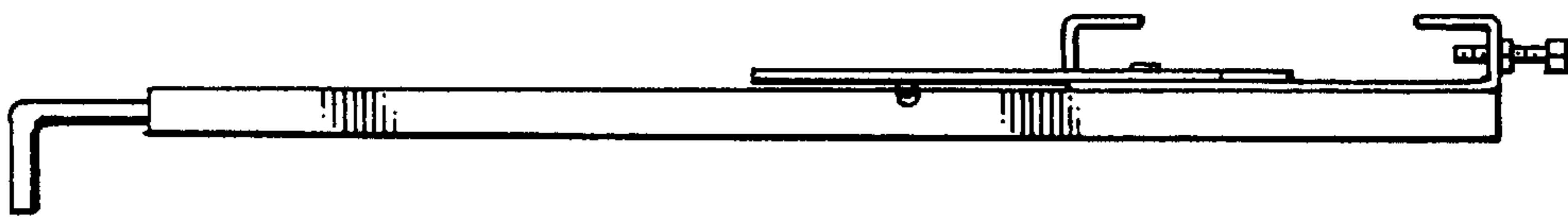


FIG. 3

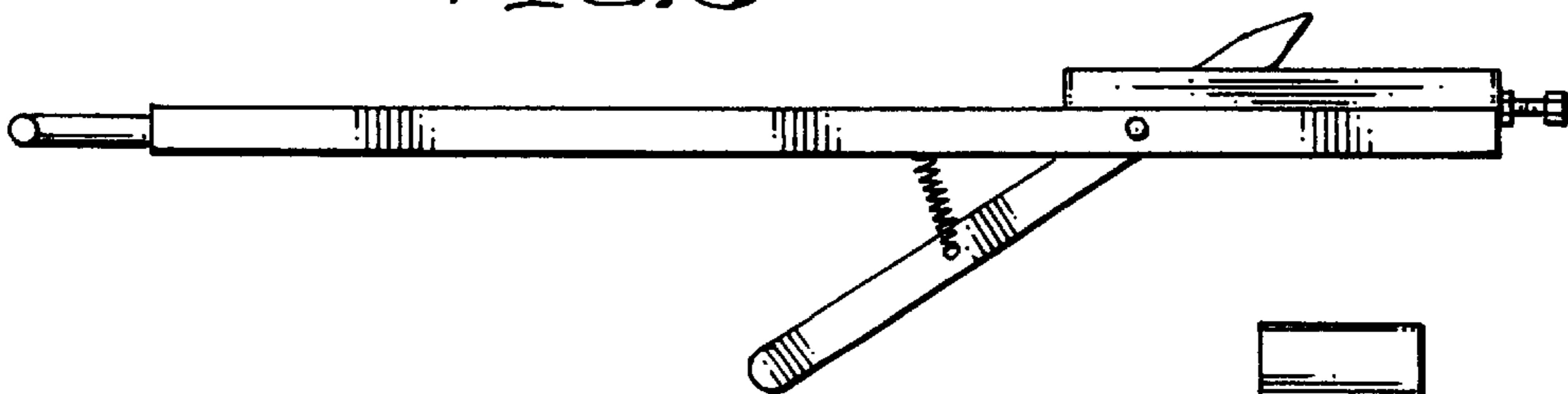


FIG. 5

