



US00D485476S

(12) **United States Design Patent**
Arroyo

(10) **Patent No.:** **US D485,476 S**

(45) **Date of Patent:** **** Jan. 20, 2004**

(54) **TROWL**

(76) Inventor: **Carlos J. Arroyo**, 811 W. 19th St.,
#648, Costa Mesa, CA (US) 92627

(**) Term: **14 Years**

(21) Appl. No.: **29/180,111**

(22) Filed: **Apr. 21, 2003**

(51) **LOC (7) Cl.** **08-01**

(52) **U.S. Cl.** **D8/10**

(58) **Field of Search** D8/10, 11, 13;
294/54.5, 49, 55; 172/378, 380

(56) **References Cited**

U.S. PATENT DOCUMENTS

858,826 A * 7/1907 Pratt 294/49

* cited by examiner

Primary Examiner—Holly Baynham

(74) *Attorney, Agent, or Firm*—Morland Fischer

(57) **CLAIM**

The ornamental design for a trowl, as shown and described.

DESCRIPTION

FIG. 1 is a perspective view showing the front, top and left side of a trowl which forms my new design, the broken lines showing a handle in this and other figures being for illustrative purposes only and forming no part of my design;

FIG. 2 is a left side elevational view thereof;

FIG. 3 is a right side elevational view thereof;

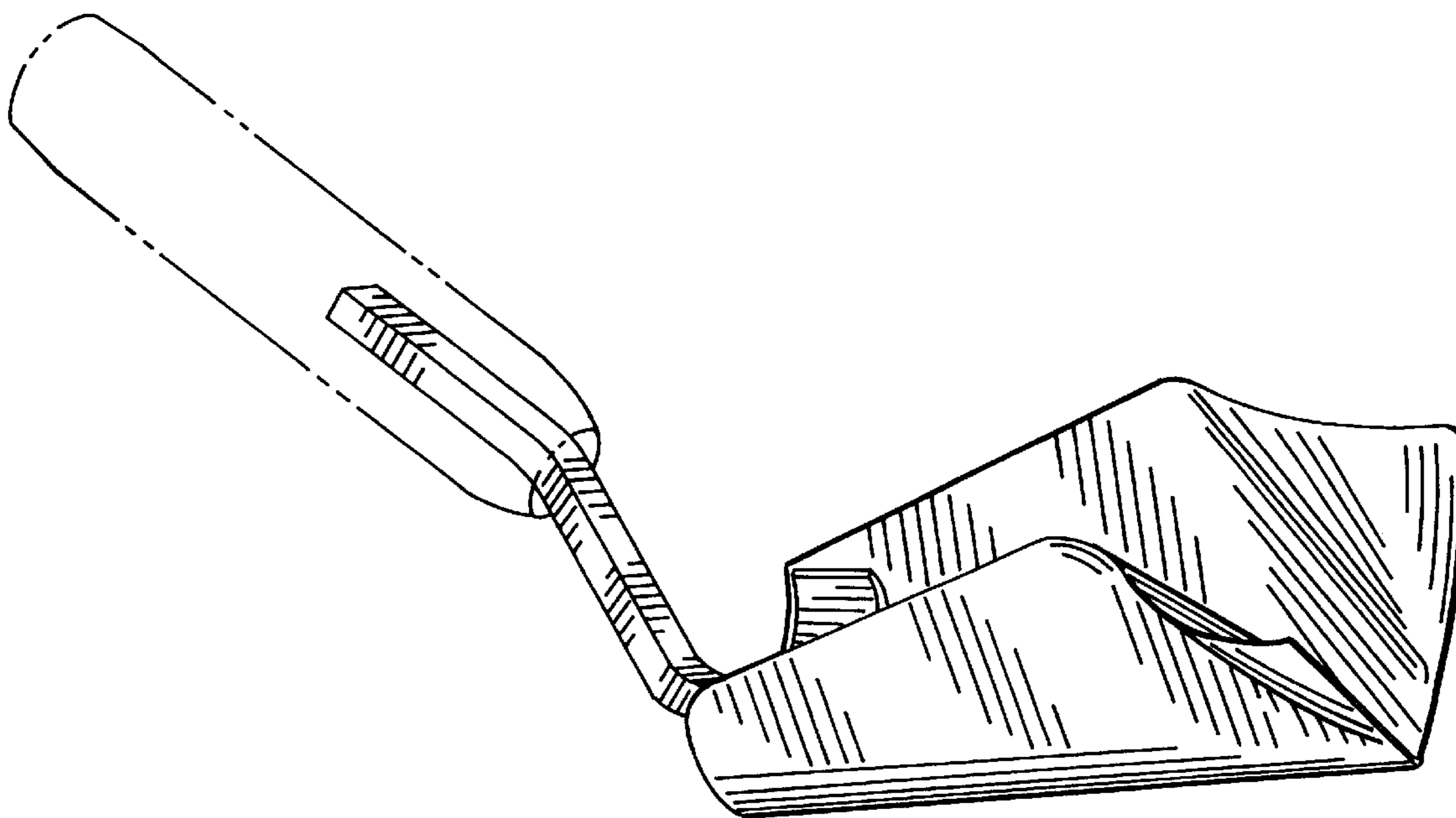
FIG. 4 is a top plan view thereof;

FIG. 5 is a bottom plan view thereof;

FIG. 6 is a front elevational view thereof; and,

FIG. 7 is a rear elevational view thereof.

1 Claim, 3 Drawing Sheets



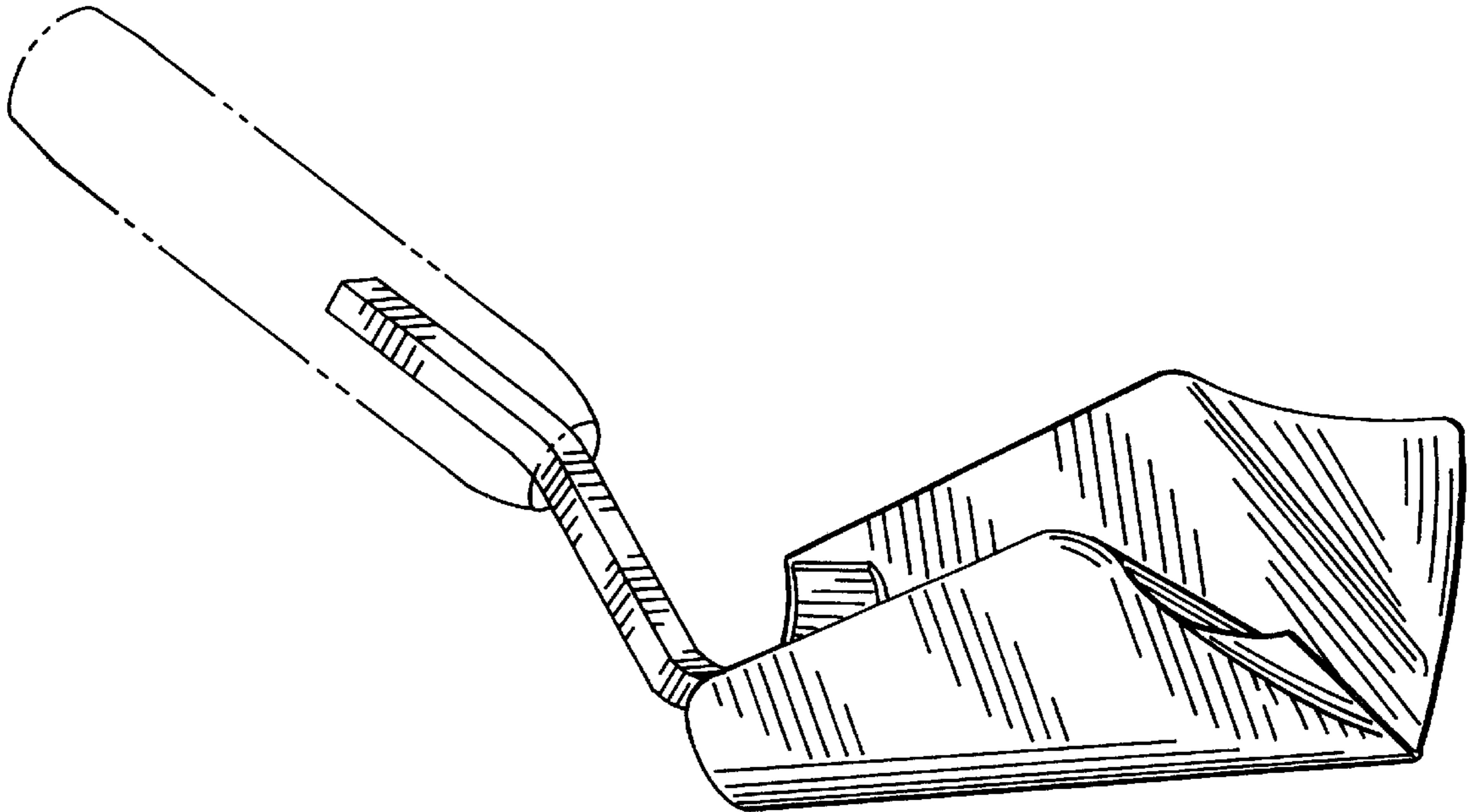


FIG. 1

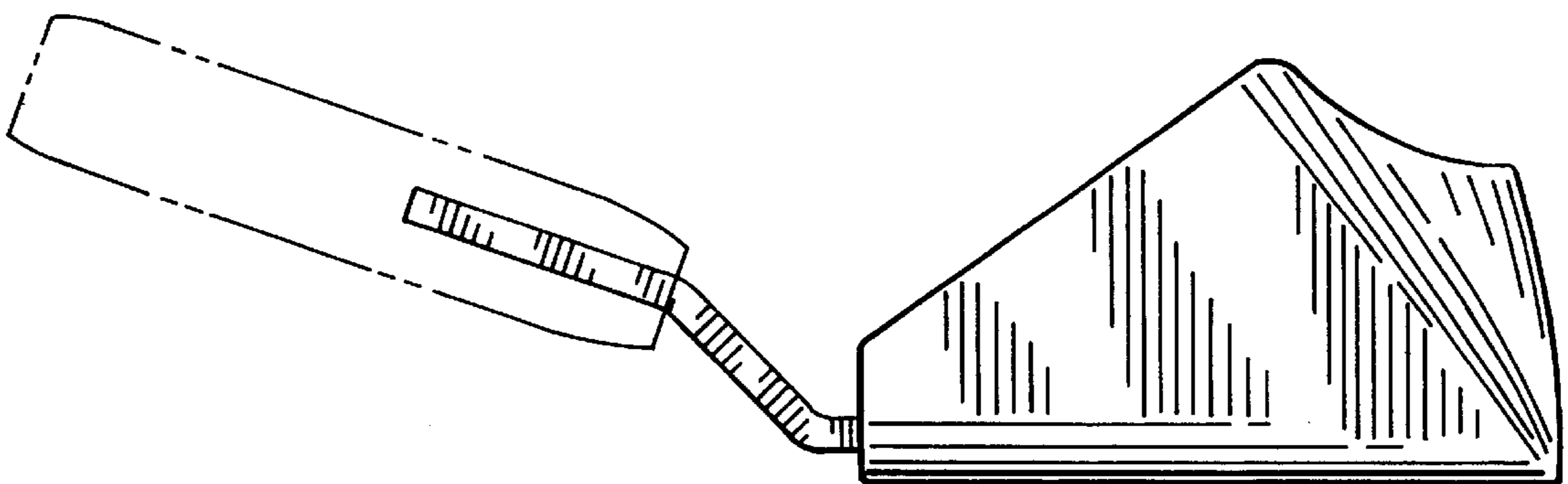


FIG. 2

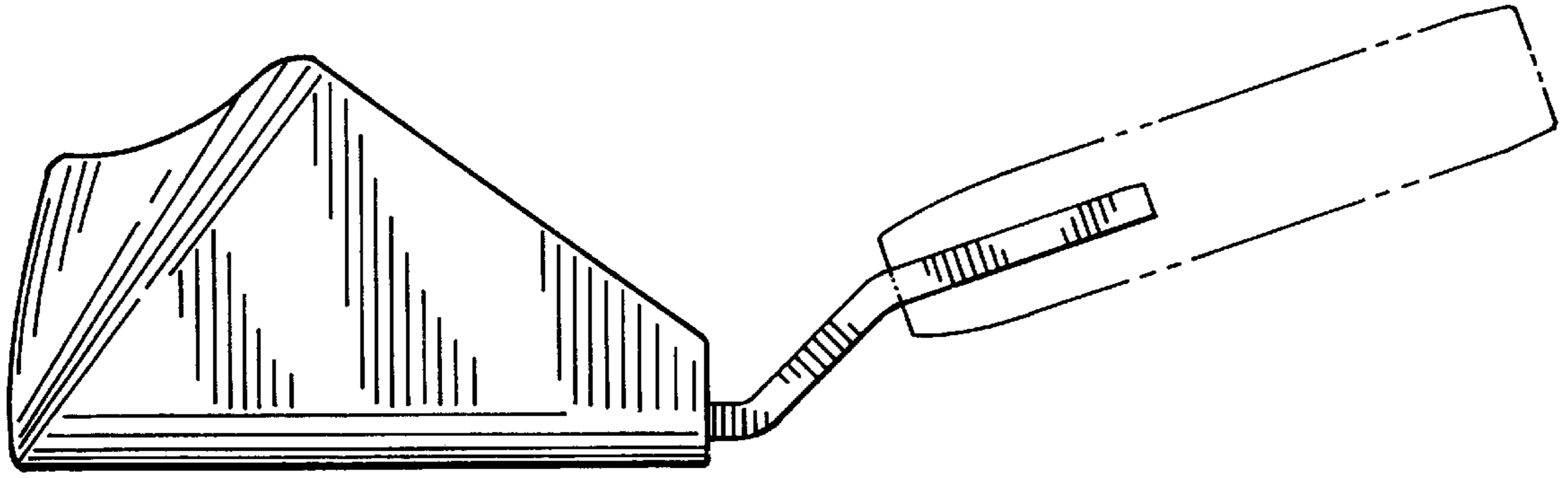


FIG. 3

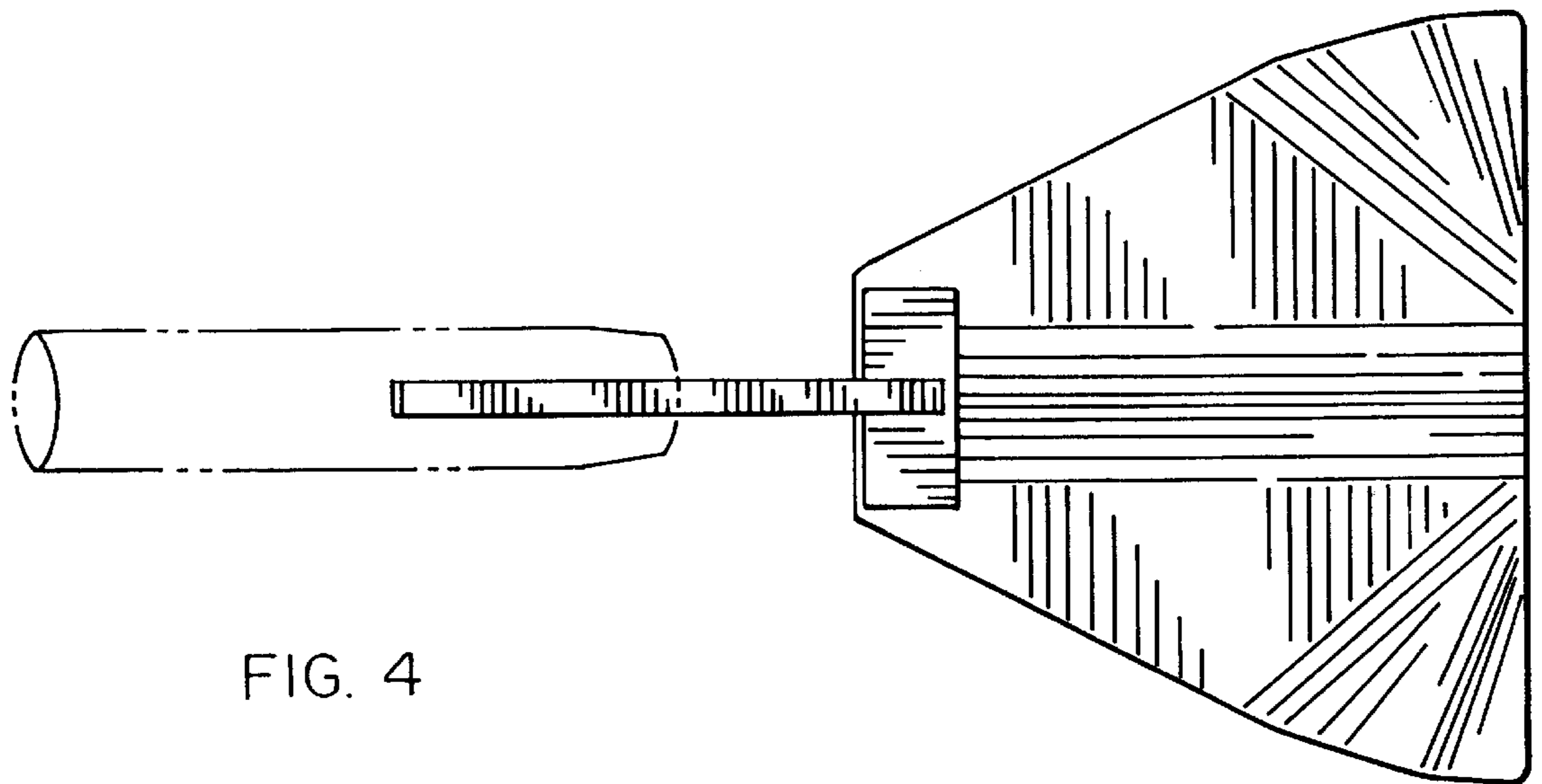


FIG. 4

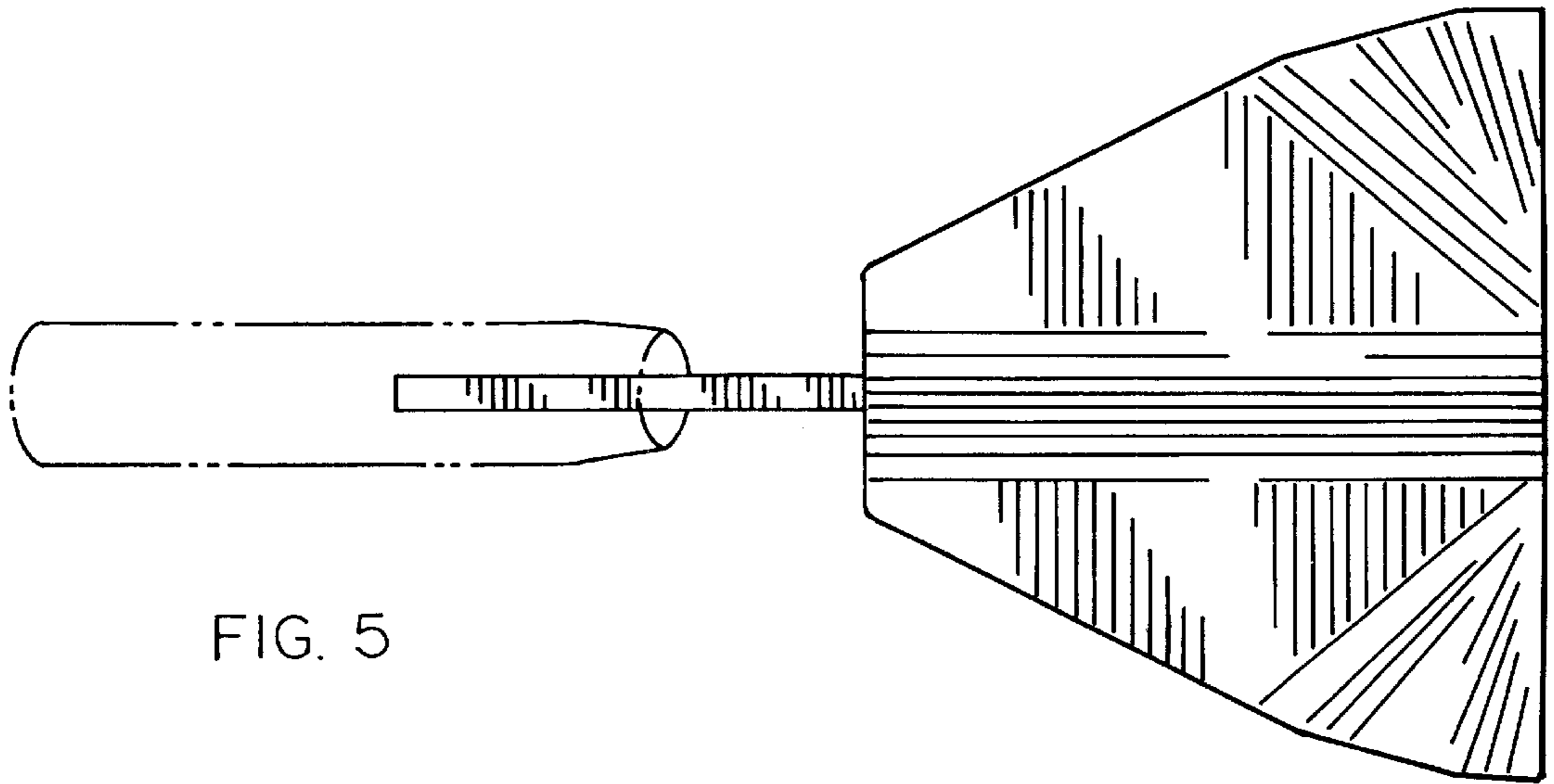


FIG. 5

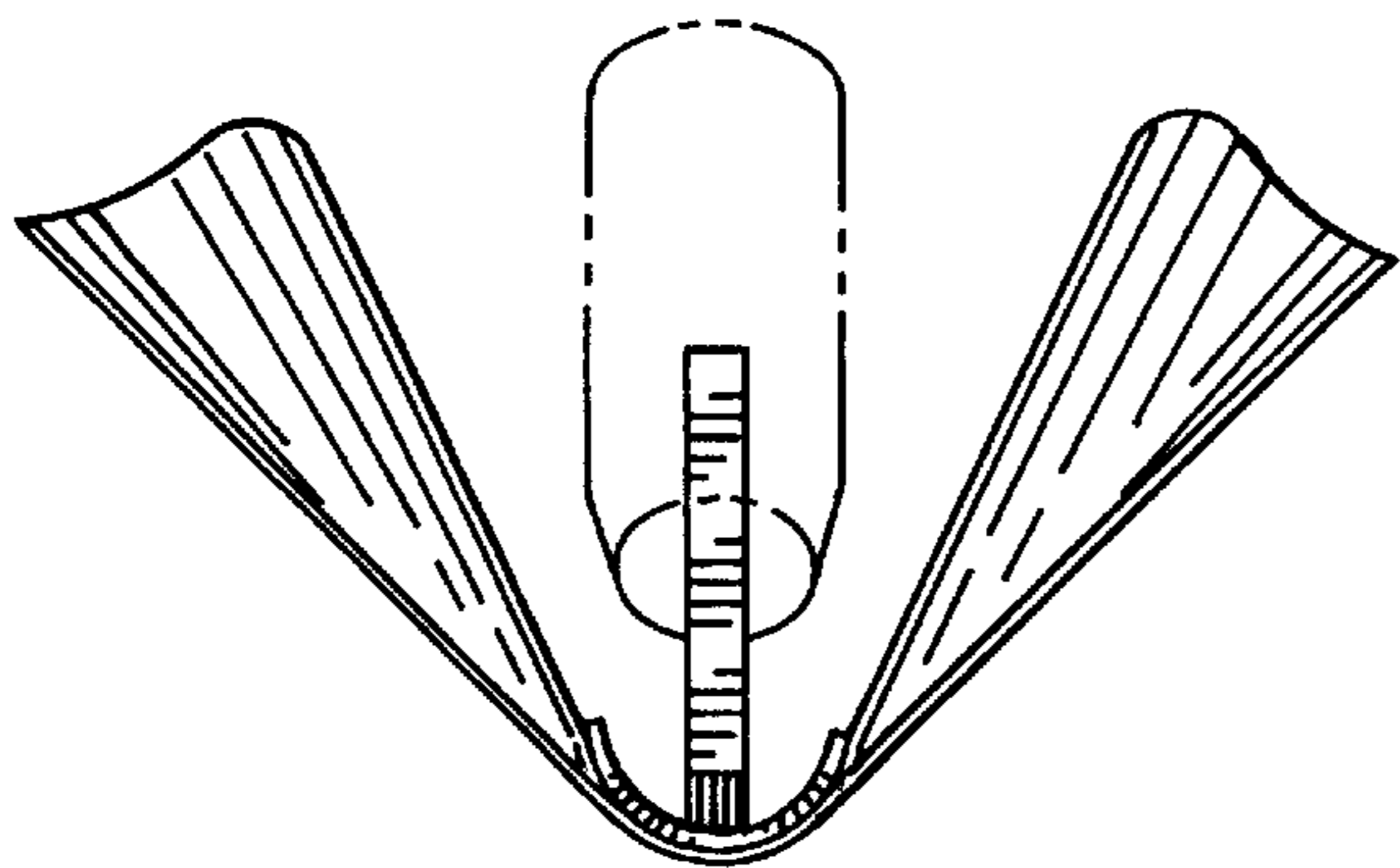


FIG. 6

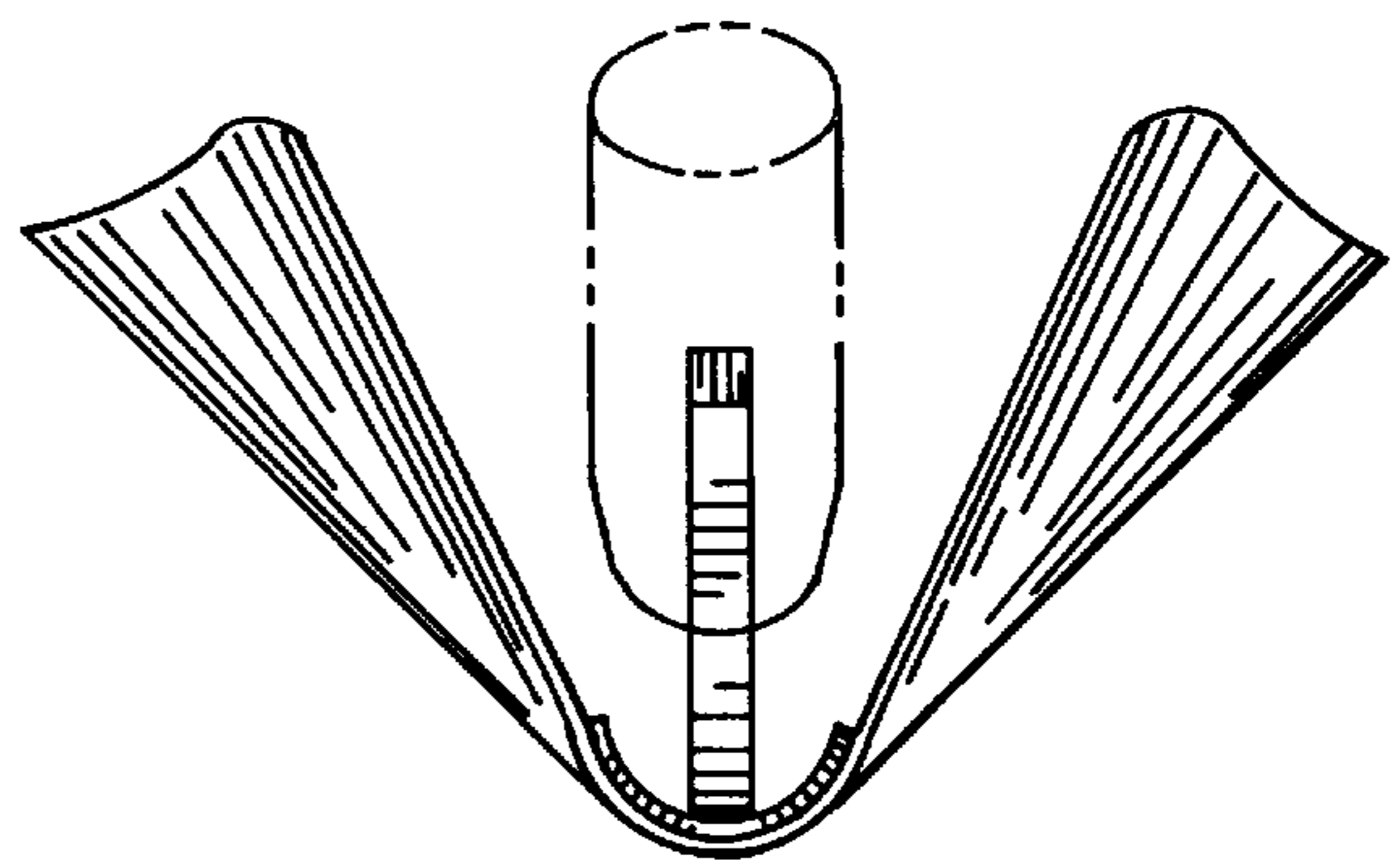


FIG. 7