



US00D485474S

(12) **United States Design Patent**
Wong

(10) **Patent No.:** **US D485,474 S**
(45) **Date of Patent:** **** Jan. 20, 2004**

(54) **MULTI JUICER**

(76) Inventor: **Yan Kwong Wong**, Unit 1016-17, 10th Floor Metro Centre II, 21 Lam Hing Street, Kowloon Bay, Kowloon (HK)

(**) Term: **14 Years**

(21) Appl. No.: **29/173,589**

(22) Filed: **Dec. 31, 2002**

(30) **Foreign Application Priority Data**

Jul. 31, 2002 (HK) 0211133

(51) **LOC (7) Cl.** **07-04**

(52) **U.S. Cl.** **D7/665**

(58) **Field of Search** D7/665, 372, 678;
99/499, 501-508; 241/100

(56) **References Cited**

U.S. PATENT DOCUMENTS

1,702,737	A	*	2/1929	MacDonald	99/508
2,042,341	A	*	5/1936	Ilgenfritz	99/508
2,212,328	A	*	8/1940	Scurlock	99/508
5,088,392	A	*	2/1992	Ancona et al.	99/499
D353,079	S	*	12/1994	Colombo	D7/665
D361,694	S		8/1995	Wong		
D378,182	S		2/1997	Wong		
D391,802	S		3/1998	Wong		
D391,804	S		3/1998	Wong		
D393,576	S		4/1998	Wong		
D395,194	S		6/1998	Wong		
D408,693	S		4/1999	Wong		
D414,983	S		10/1999	Wong		
D426,743	S		6/2000	Wong		
D426,744	S		6/2000	Wong		
D430,775	S		9/2000	Wong		
D433,594	S		11/2000	Wong		
D433,871	S		11/2000	Wong		
D446,691	S		8/2001	Wong		

D447,019	S	8/2001	Wong
D447,022	S	8/2001	Wong
D448,629	S	10/2001	Wong
D449,766	S	10/2001	Wong
D458,812	S	6/2002	Wong
D465,137	S	11/2002	Wong

* cited by examiner

Primary Examiner—Terry A. Wallace

(74) *Attorney, Agent, or Firm*—Salter & Michaelson

(57) **CLAIM**

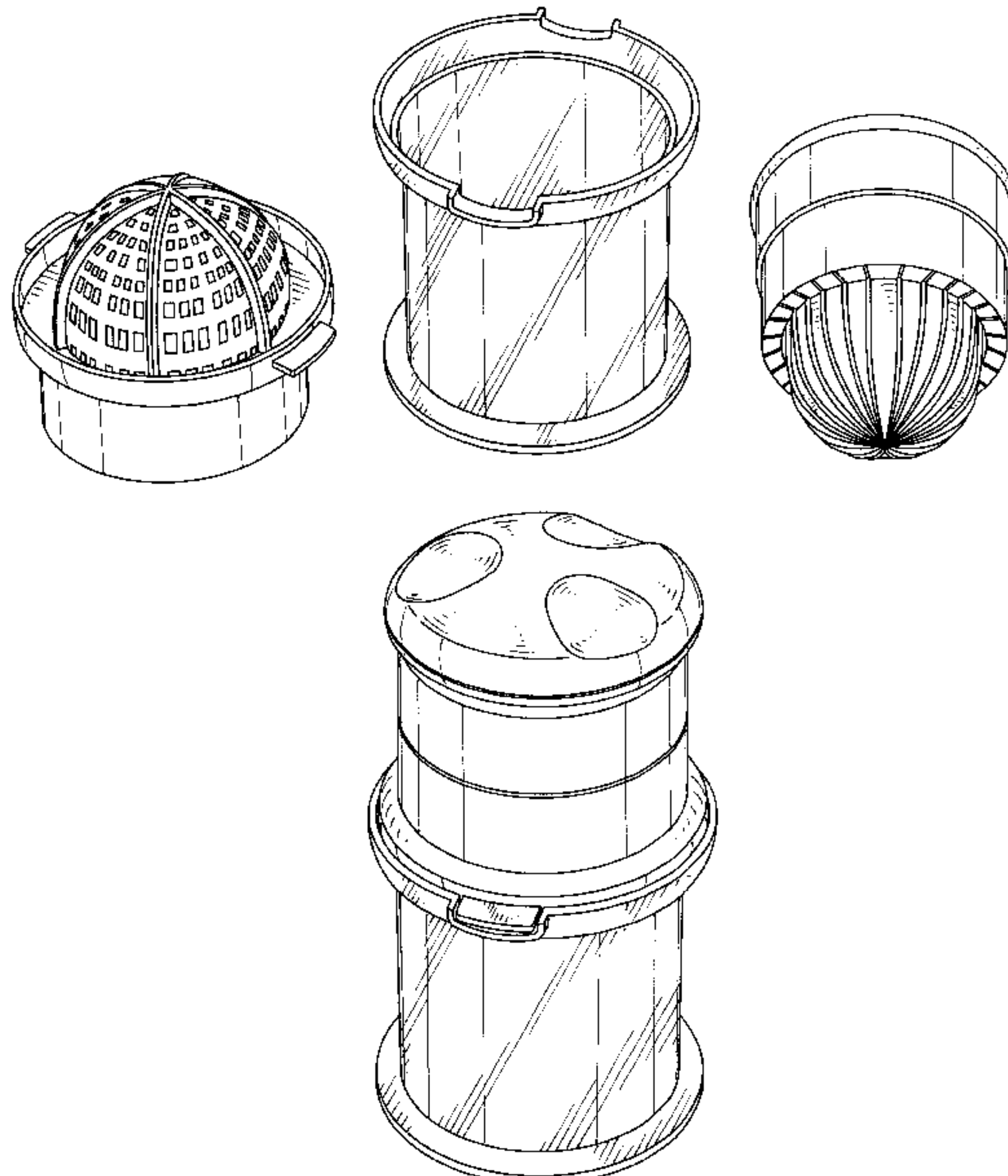
The ornamental design for a multi juicer, as shown and described.

DESCRIPTION

FIG. 1 is a perspective view of a multi juicer, including interchangeable accessories, showing my new design; FIG. 2 is a perspective view of the multi juicer showing one of the interchangeable accessories in a first position; FIG. 3 is a perspective view of the multi juicer showing one of the interchangeable accessories in a second position; FIG. 4 is a perspective view of the multi juicer showing both interchangeable accessories in place; FIG. 5 is a left side elevational view thereof of the multi juicer of FIG. 4; FIG. 6 is a right side elevational view thereof of the multi juicer of FIG. 4; FIG. 7 is a front elevational view thereof of the multi juicer of FIG. 4; FIG. 8 is a rear elevational view thereof of the multi juicer of FIG. 4; FIG. 9 is a top plan view thereof of the multi juicer of FIG. 4; and, FIG. 10 is a bottom plan view thereof of the multi juicer of FIG. 4.

The portions shown in broken lines are included for illustrative purposes only and form no part of the claimed design.

1 Claim, 7 Drawing Sheets



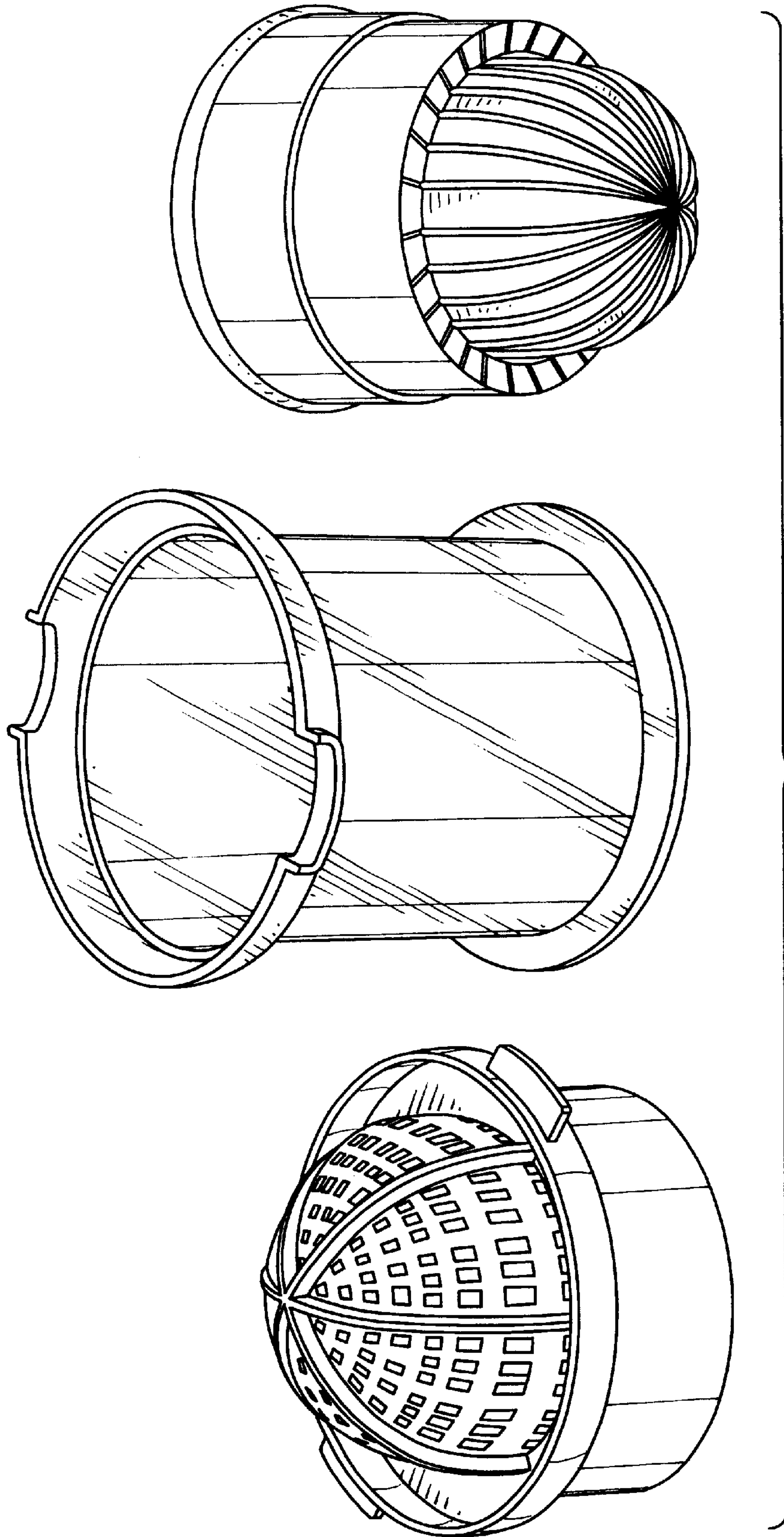


FIG. 1

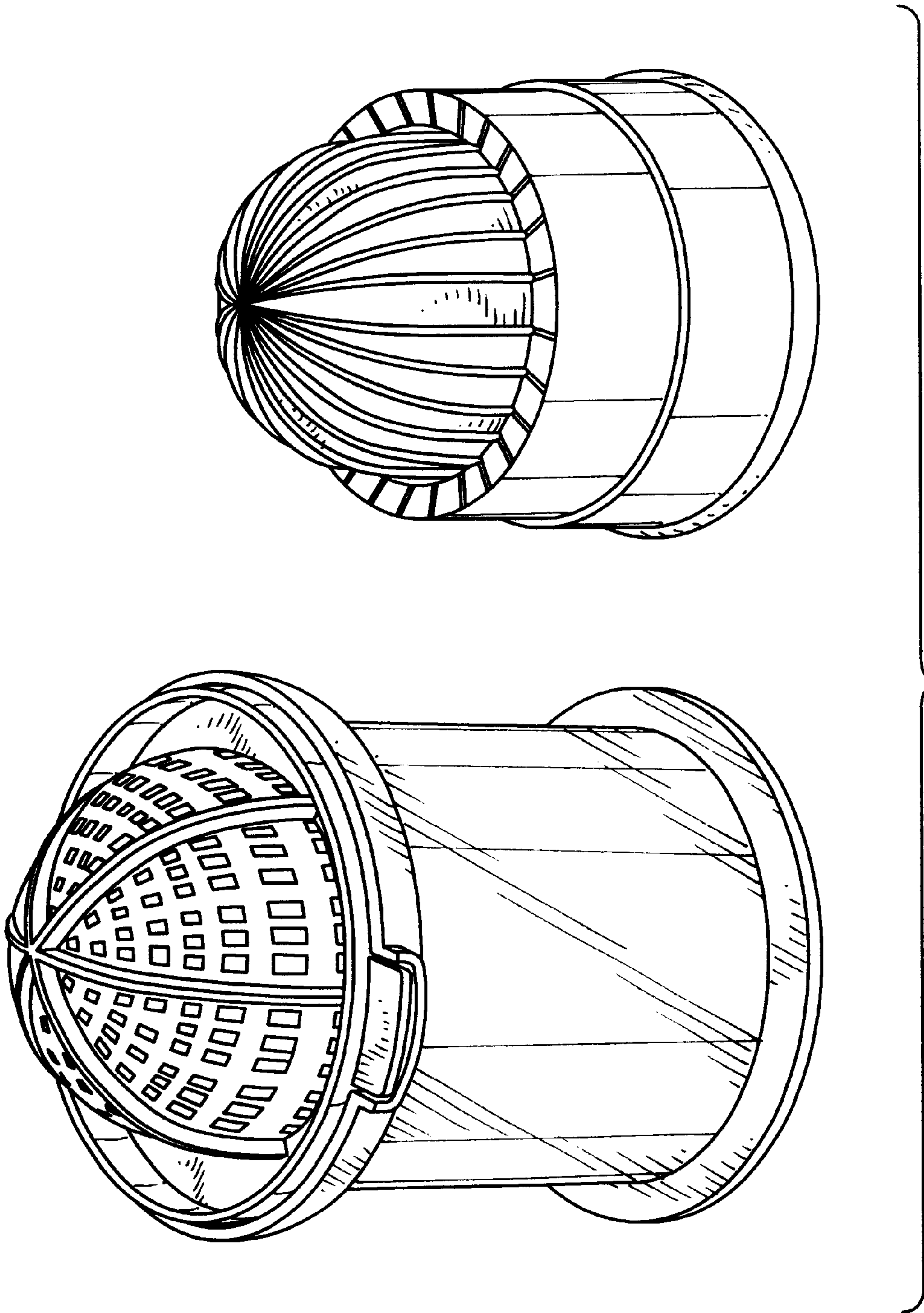


FIG. 2

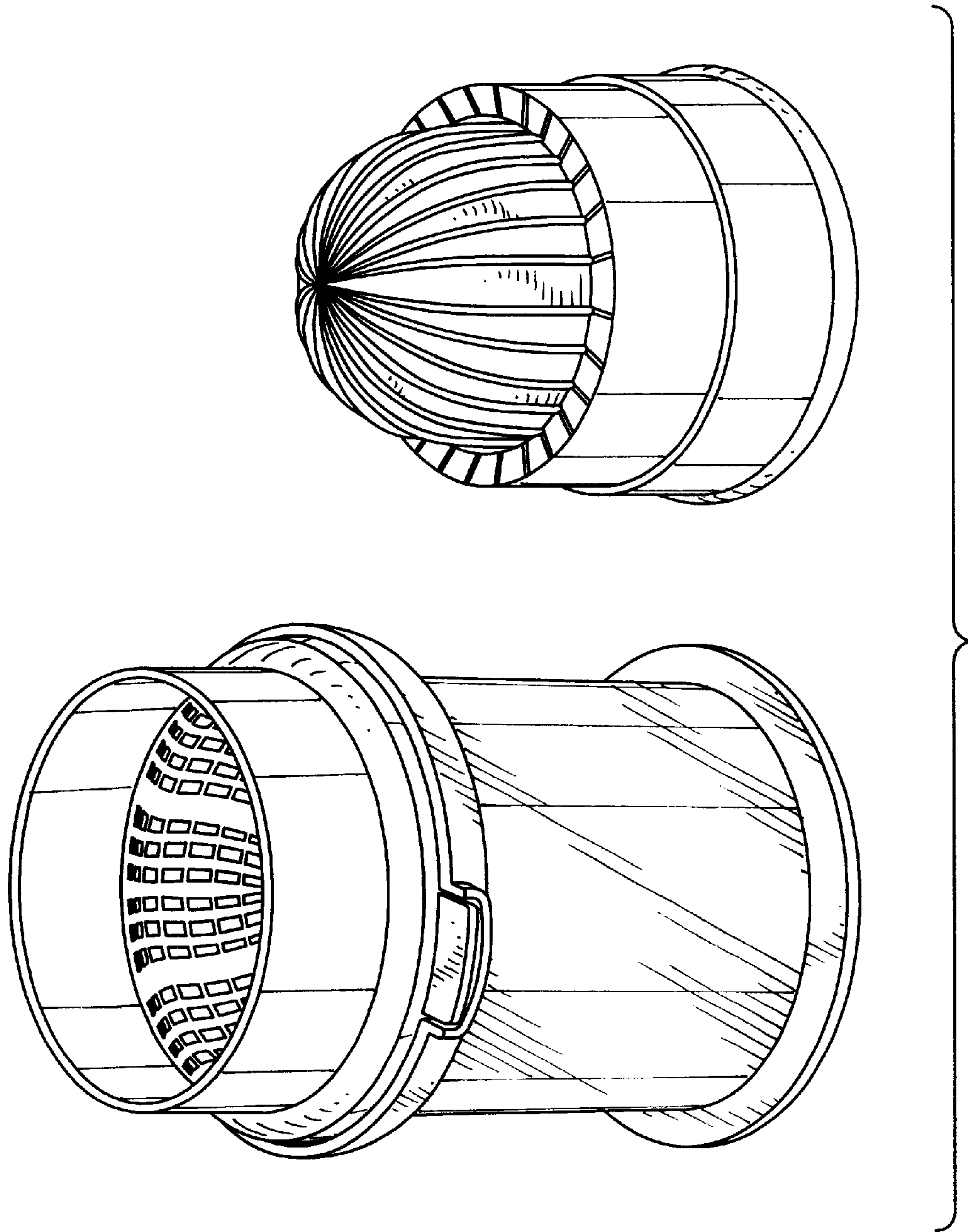


FIG. 3

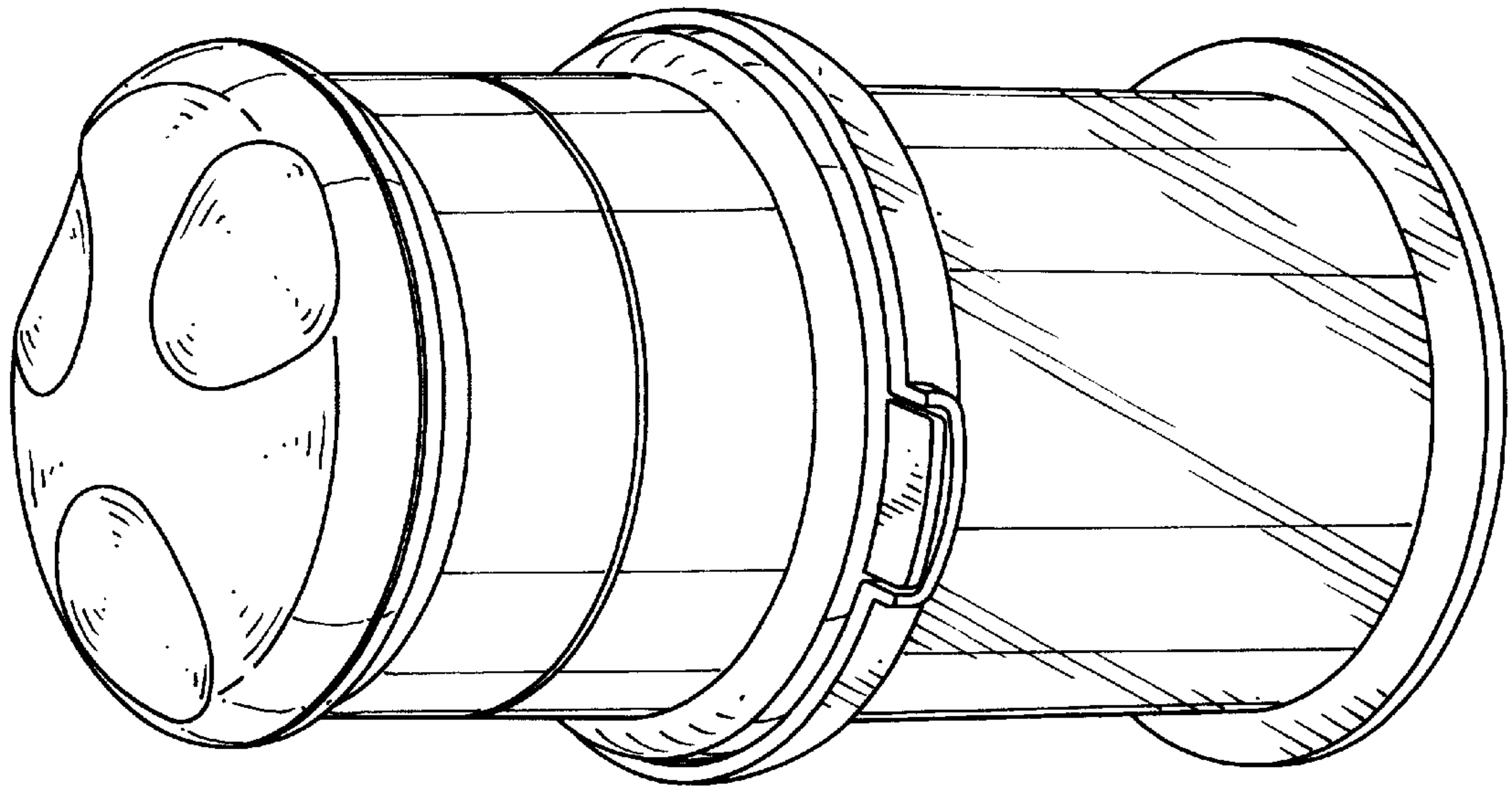


FIG. 4

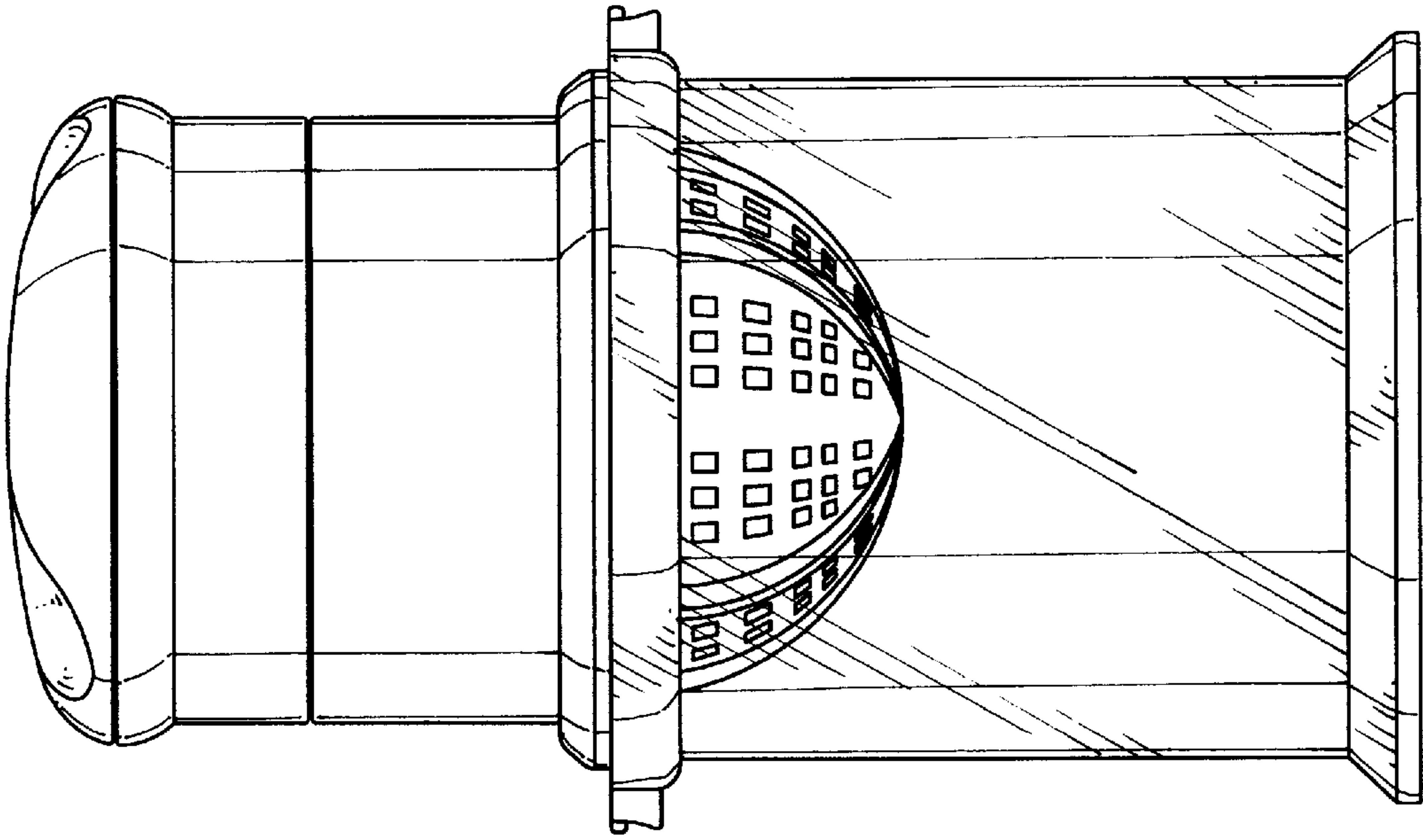


FIG. 6

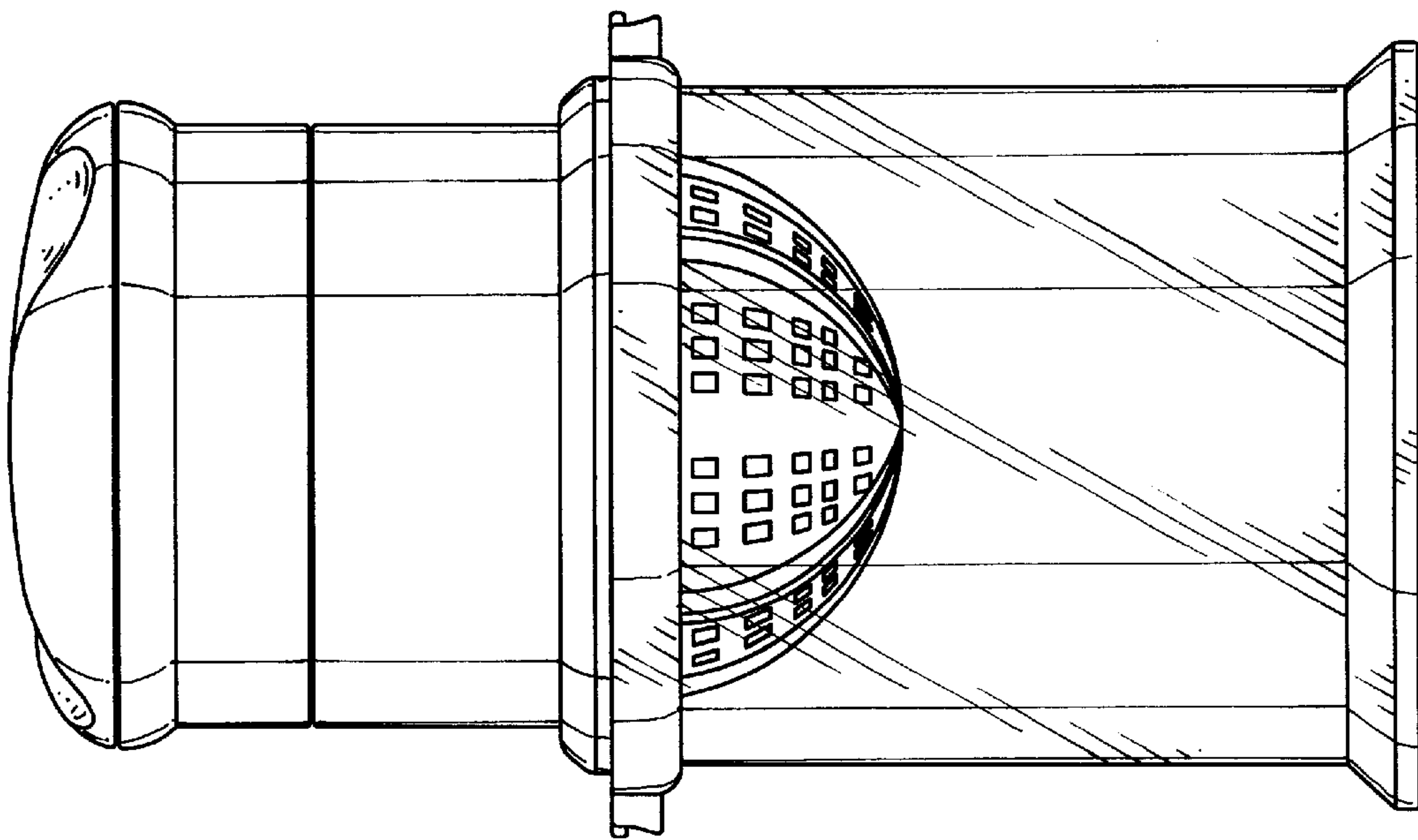


FIG. 5

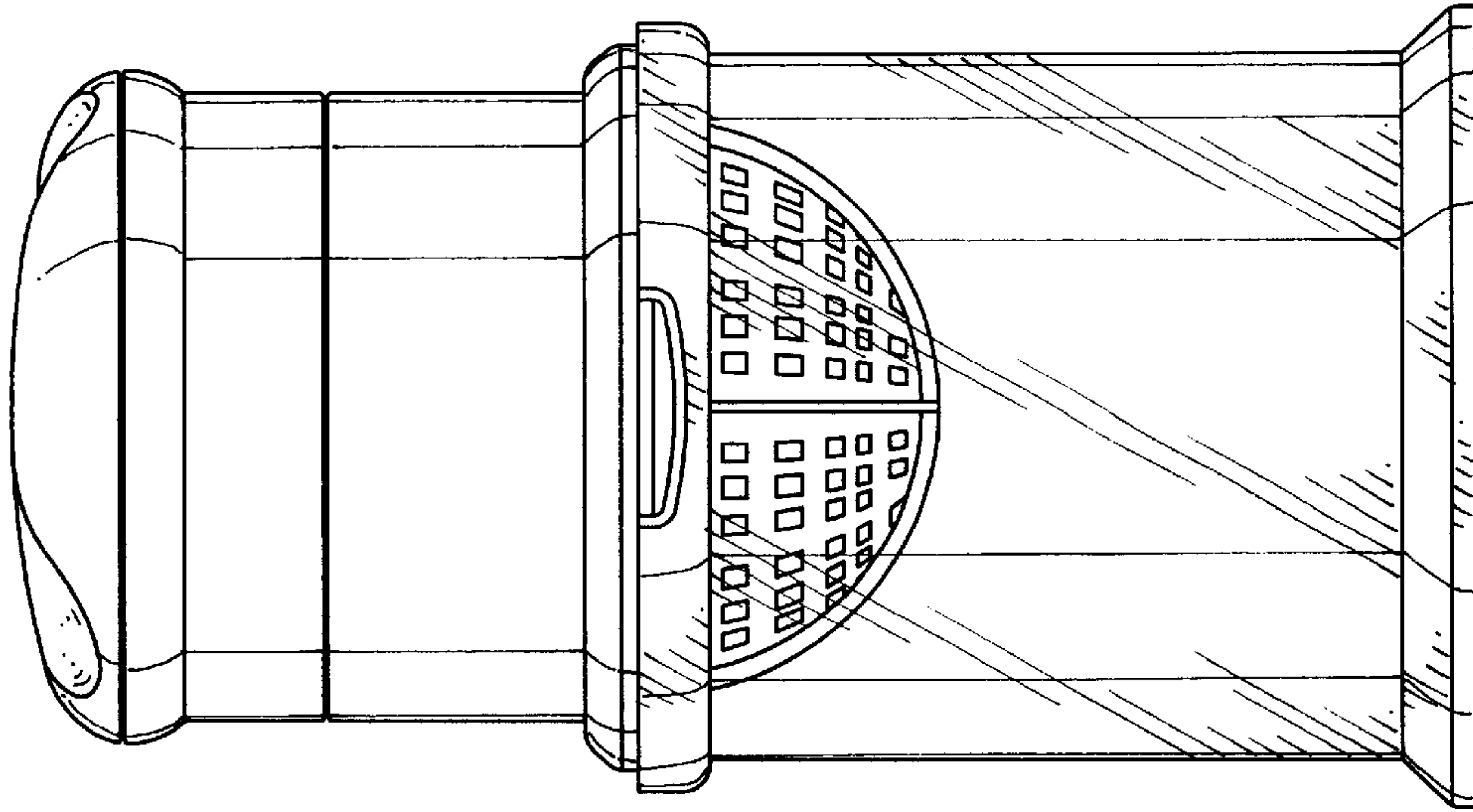


FIG. 8

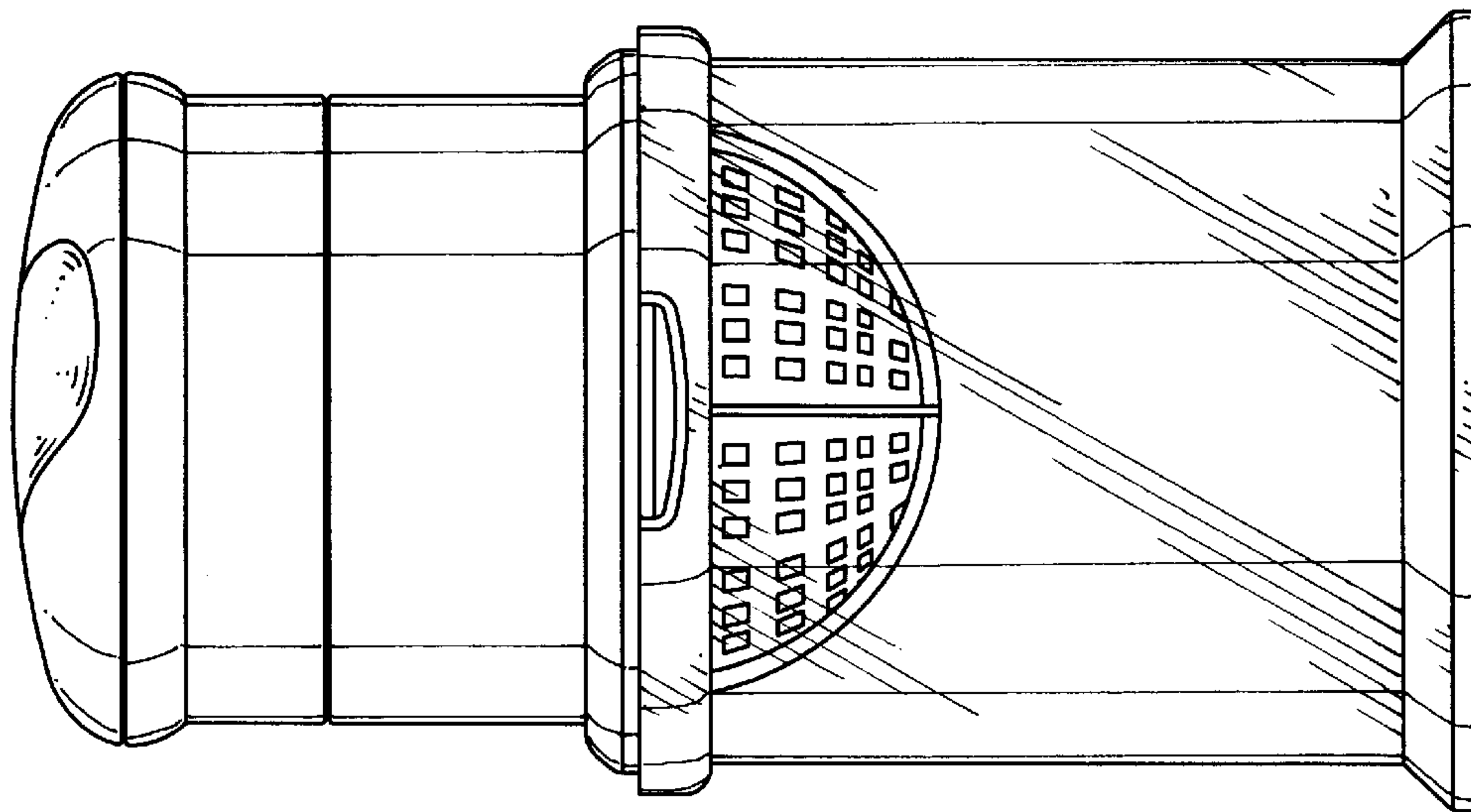


FIG. 7

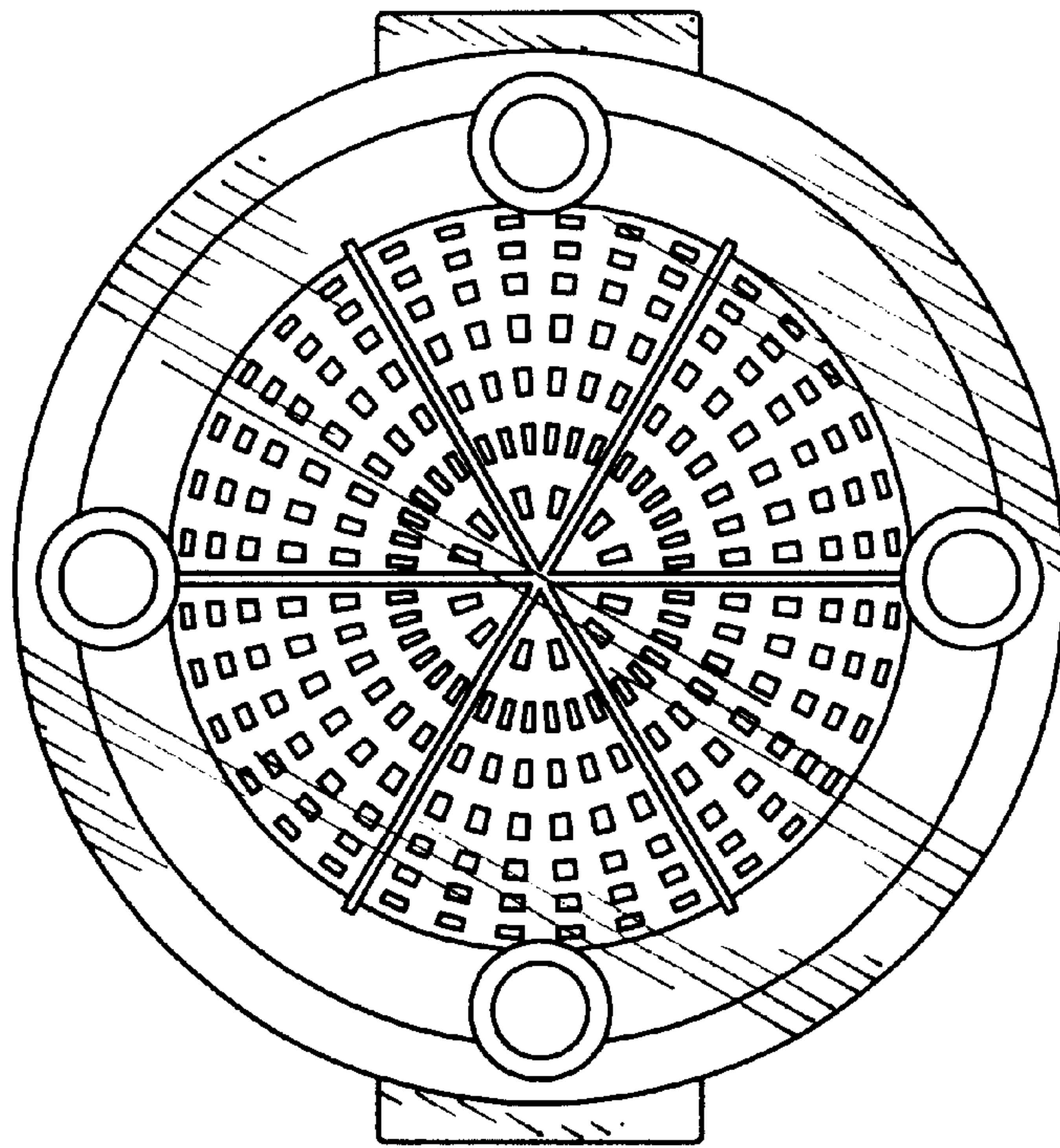


FIG. 10

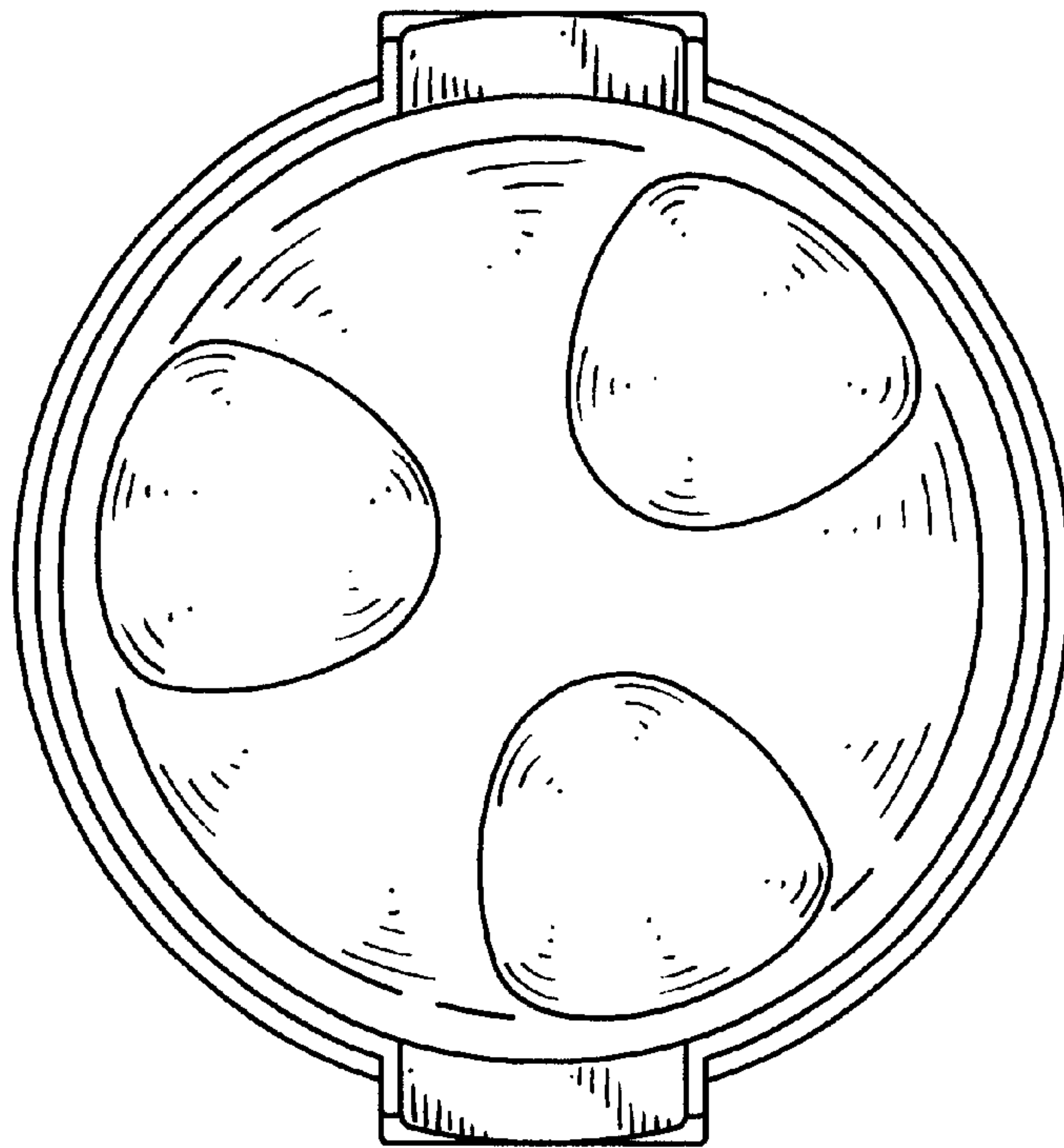


FIG. 9