



US00D485473S

(12) **United States Design Patent**
Dais et al.

(10) **Patent No.:** **US D485,473 S**

(45) **Date of Patent:** **** Jan. 20, 2004**

(54) **CONTAINER AND LID**

(75) Inventors: **Brian C. Dais**, Howell, MI (US);
Joseph Perushek, Madison, WI (US);
Donald E. McCumber, Madison, WI (US);
Charles A. Angell, Minneapolis, MN (US)

(73) Assignee: **S. C. Johnson Home Storage, Inc.**,
Racine, WI (US)

(**) Term: **14 Years**

(21) Appl. No.: **29/163,217**

(22) Filed: **Jun. 28, 2002**

Related U.S. Application Data

(63) Continuation-in-part of application No. 10/073,559, filed on Feb. 11, 2002.

(51) **LOC (7) Cl.** **07-07**

(52) **U.S. Cl.** **D7/629**

(58) **Field of Search** D7/601, 602, 629,
D7/538-542; D9/414, 424-432; 220/574,
662, 669-676, 780-783, 792-794, 796-799,
805, 406, 407, 938; 62/457.1-457.6

(56) **References Cited**

U.S. PATENT DOCUMENTS

1,249,096 A 12/1917 Hulme
2,507,425 A 5/1950 Swartout 220/9
2,606,586 A 8/1952 Hill 150/0.5

(List continued on next page.)

OTHER PUBLICATIONS

Tenneco Packaging (Evanston, IL), Specialty Products Catalog, Summer of 1996.

First concept page entitled "Introducing New Ziploc Cold-Loc Containers: Reusable containers that keep your food cold for hours."

Second concept page entitled "Introducing New Ziploc ColdLoc Containers: Reusable containers that keep your food cold for hours."

Third concept page entitled "Introducing New Ziploc Cold-Loc Containers: Reusable containers that keep your food cold for hours."

Fourth concept page entitled "Introducing New Ziploc Cold-Loc Containers: Reusable containers that keep your food cold for hours."

Fifth concept page entitled "Introducing New Ziploc Cold-Loc Containers: Reusable containers that keep your food cold for hours."

Pair of digital photographs (i.e., perspective and cross-sectional view) of a first sample container.

Pair of digital photographs (i.e., perspective and cross-sectional view) of a second sample container.

Pair of digital photographs (i.e., perspective and cross-sectional view) of a third sample container.

Photographs of Central Fine Pack Container, Central Fine Pack, Inc. of Fort Wayne, Indiana (no date).

Primary Examiner—Terry A. Wallace

(57) **CLAIM**

The ornamental design for a container and lid, as shown and described.

DESCRIPTION

FIG. 1 is an isometric view of a top, front, and right side of an ornamental design for a container and lid according to the present invention;

FIG. 2 is a rear elevational view of the container and lid taken generally along the view lines 2—2 of FIG. 1, a left side elevational view perpendicular to the rear elevational view being identical thereto;

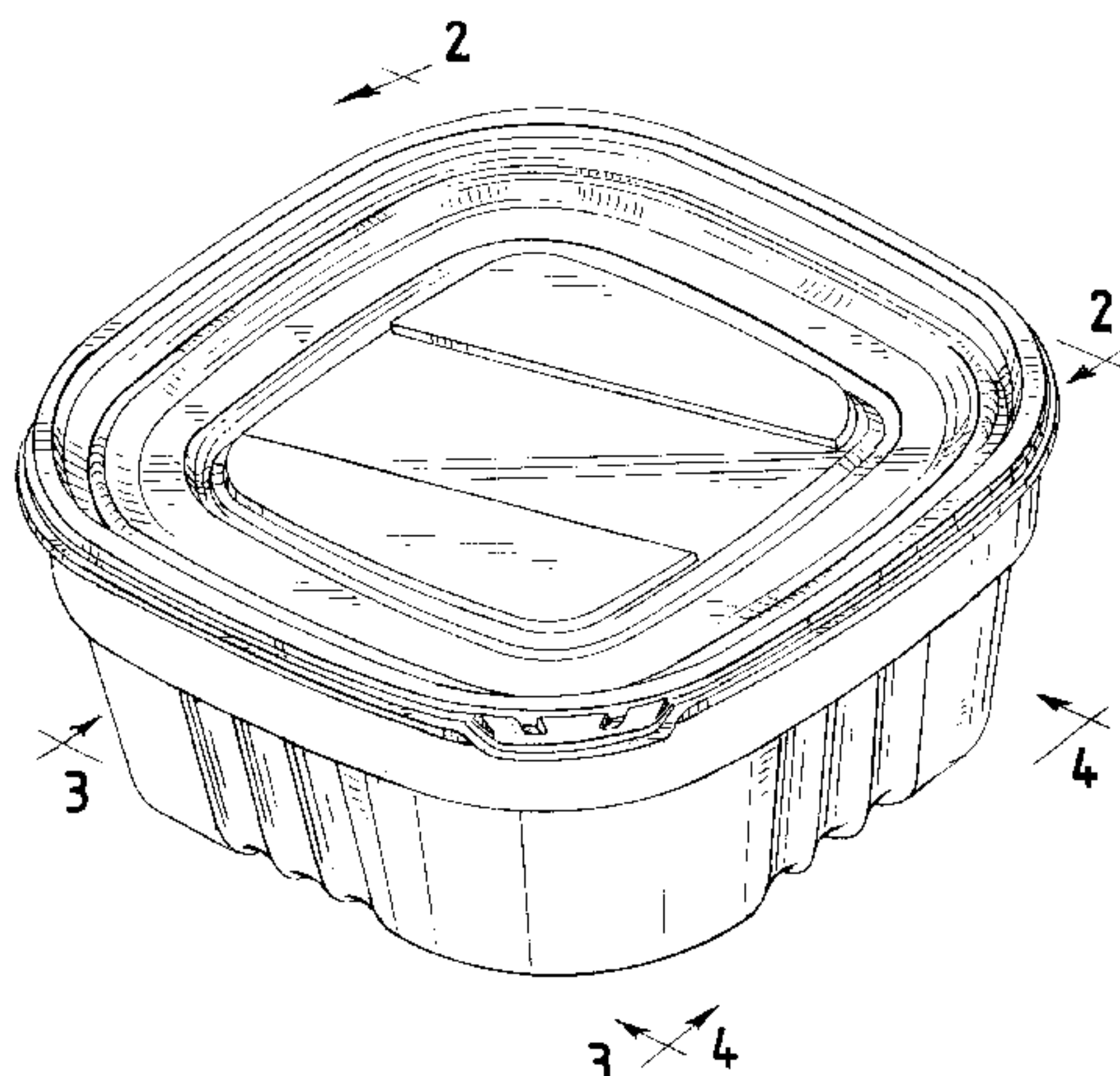
FIG. 3 is a front elevational view of the container and lid taken generally along the view lines 3—3 of FIG. 1;

FIG. 4 is a right side elevational view of the container and lid taken generally along the view lines 4—4 of FIG. 1; and,

FIG. 5 is a plan view of the container and lid of FIG. 1.

The bottom features of the container and lid form no part of the claimed design.

1 Claim, 3 Drawing Sheets



US D485,473 S

Page 2

U.S. PATENT DOCUMENTS

2,767,711 A	10/1956	Ernst	128/249	D308,941 S	*	7/1990	Kong	D7/541
2,781,643 A	2/1957	Fairweather	62/87	4,976,370 A		12/1990	Cassel	220/306
2,810,276 A	10/1957	Murray	65/15	4,981,234 A		1/1991	Slaughter	220/415
3,269,144 A	8/1966	Poris	62/457	5,088,301 A		2/1992	Piepenbrink	62/457.6
3,317,069 A	5/1967	Chin	215/47	5,094,706 A		3/1992	Howe	156/214
3,362,565 A	1/1968	McCormick	220/44	5,147,059 A		9/1992	Olsen et al.	220/281
3,383,880 A	5/1968	Peters	62/457	5,228,384 A		7/1993	Kolosowski	99/342
3,394,562 A	7/1968	Coleman	62/457	5,231,850 A		8/1993	Morris	62/457.6
3,406,532 A	10/1968	Rownd et al.	62/457	5,345,784 A	*	9/1994	Bazemore et al.	62/371
3,416,692 A	12/1968	Cline et al.	220/9	5,356,026 A		10/1994	Andress et al.	220/306
3,460,711 A	8/1969	Al-Roy	220/60	5,372,274 A		12/1994	Freedland	220/571
3,516,572 A	6/1970	Davis		5,377,860 A		1/1995	Littlejohn et al.	220/306
3,556,338 A	1/1971	Wilkinson et al.	220/60	5,377,861 A		1/1995	Landis	220/380
3,609,263 A	9/1971	Clementi	220/60 R	D355,814 S	*	2/1995	VanValkenburg et al.	D7/629
3,632,016 A	1/1972	Bozek	220/97 R	5,425,467 A		6/1995	Feer et al.	220/281
3,670,916 A	6/1972	Alpert	220/9 F	5,460,286 A		10/1995	Rush et al.	220/306
3,678,703 A	7/1972	Cornish et al.	62/371	5,507,407 A		4/1996	Feer et al.	220/281
3,722,731 A	3/1973	McCormick et al.	220/60	5,542,234 A		8/1996	Wyslowsky et al.	53/433
3,732,909 A	5/1973	Rooke et al.	150/0.5	5,553,701 A		9/1996	Jarecki et al.	206/15.2
3,737,093 A	6/1973	Amberg et al.	206/14 R	5,607,709 A		3/1997	Fritz et al.	426/106
3,779,418 A	12/1973	Davis	220/60 R	5,624,051 A		4/1997	Ahern, Jr. et al.	220/553
3,923,237 A	12/1975	Bostrom et al.	229/43	D388,325 S	*	12/1997	Tucker et al.	D9/425
RE28,720 E	2/1976	Sedlak	206/501	5,772,070 A		6/1998	Hayes et al.	220/781
4,019,340 A	4/1977	Conklin	62/371	5,876,811 A		3/1999	Blackwell et al.	428/34.1
4,027,776 A	6/1977	Douglas	220/281	D411,714 S		6/1999	Wilson et al.	D7/602
4,065,336 A	12/1977	Conklin	156/69	5,992,679 A		11/1999	Porchia et al.	220/782
4,124,141 A	11/1978	Armentrout et al.	220/306	D419,394 S		1/2000	Wilson et al.	D7/629
4,223,800 A	9/1980	Fishman	220/352	6,010,027 A		1/2000	Fujii et al.	220/592.2
4,238,934 A	12/1980	Hotta	62/457	6,032,827 A		3/2000	Zettle et al.	220/788
4,262,815 A	4/1981	Klein	220/273	D428,310 S		7/2000	Zettle et al.	D7/629
4,351,447 A	9/1982	Graff	220/306	6,168,044 B1		1/2001	Zettle et al.	220/784
4,412,630 A	* 11/1983	Daenen	220/792	6,170,696 B1		1/2001	Tucker et al.	220/793
4,471,880 A	9/1984	Taylor et al.	220/306	D440,470 S		4/2001	Tucker et al.	D7/629
4,498,312 A	2/1985	Schlosser	62/457	D440,830 S		4/2001	Tucker et al.	D7/629
4,530,440 A	7/1985	Leong	220/201	D442,484 S		5/2001	Maxwell et al.	D9/347
4,535,889 A	8/1985	Terauds	206/527	D443,184 S		6/2001	Maxwell et al.	D7/629
4,555,043 A	11/1985	Bernhardt	220/306	D443,484 S		6/2001	Maxwell et al.	D7/629
4,566,605 A	1/1986	Rogers	220/90.2	D443,798 S		6/2001	Tucker et al.	D7/629
4,593,816 A	6/1986	Langenbeck	206/425	D445,649 S		7/2001	Maxwell et al.	D7/629
4,632,272 A	12/1986	Berenfield et al.	220/324	D445,650 S		7/2001	Maxwell et al.	D7/629
4,687,117 A	8/1987	Terauds	220/306	D446,077 S		8/2001	Tucker et al.	D7/392.1
4,765,506 A	8/1988	Fishman et al.	220/355	D447,382 S		9/2001	Tucker et al.	D7/392.1
D297,897 S	10/1988	Stackhouse	D7/2	D448,991 S		10/2001	Zettle et al.	D9/425
4,809,868 A	3/1989	Pomroy	220/260	D449,495 S		10/2001	Tucker et al.	D7/629
4,819,824 A	4/1989	Longbottom et al.	220/266	6,305,546 B1		10/2001	Saunders et al.	206/541
4,841,743 A	6/1989	Brier	62/457.9	D450,983 S		11/2001	Tucker et al.	D7/629
4,844,263 A	7/1989	Hadtke	206/508	6,315,151 B1		11/2001	Hupp et al.	220/666
4,917,261 A	4/1990	Borst	220/324	6,364,152 B1		4/2002	Poslinski et al.	220/788

* cited by examiner

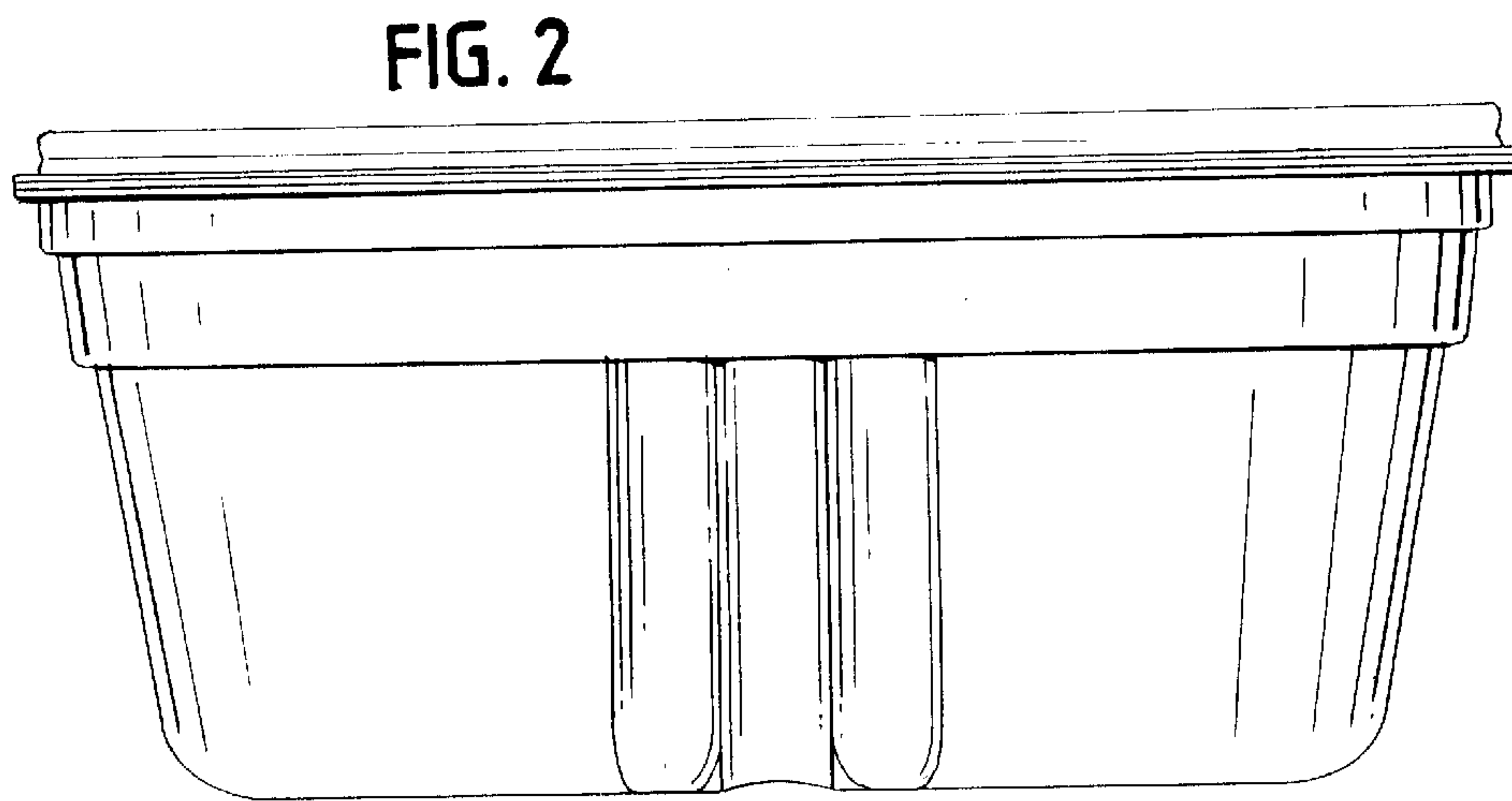
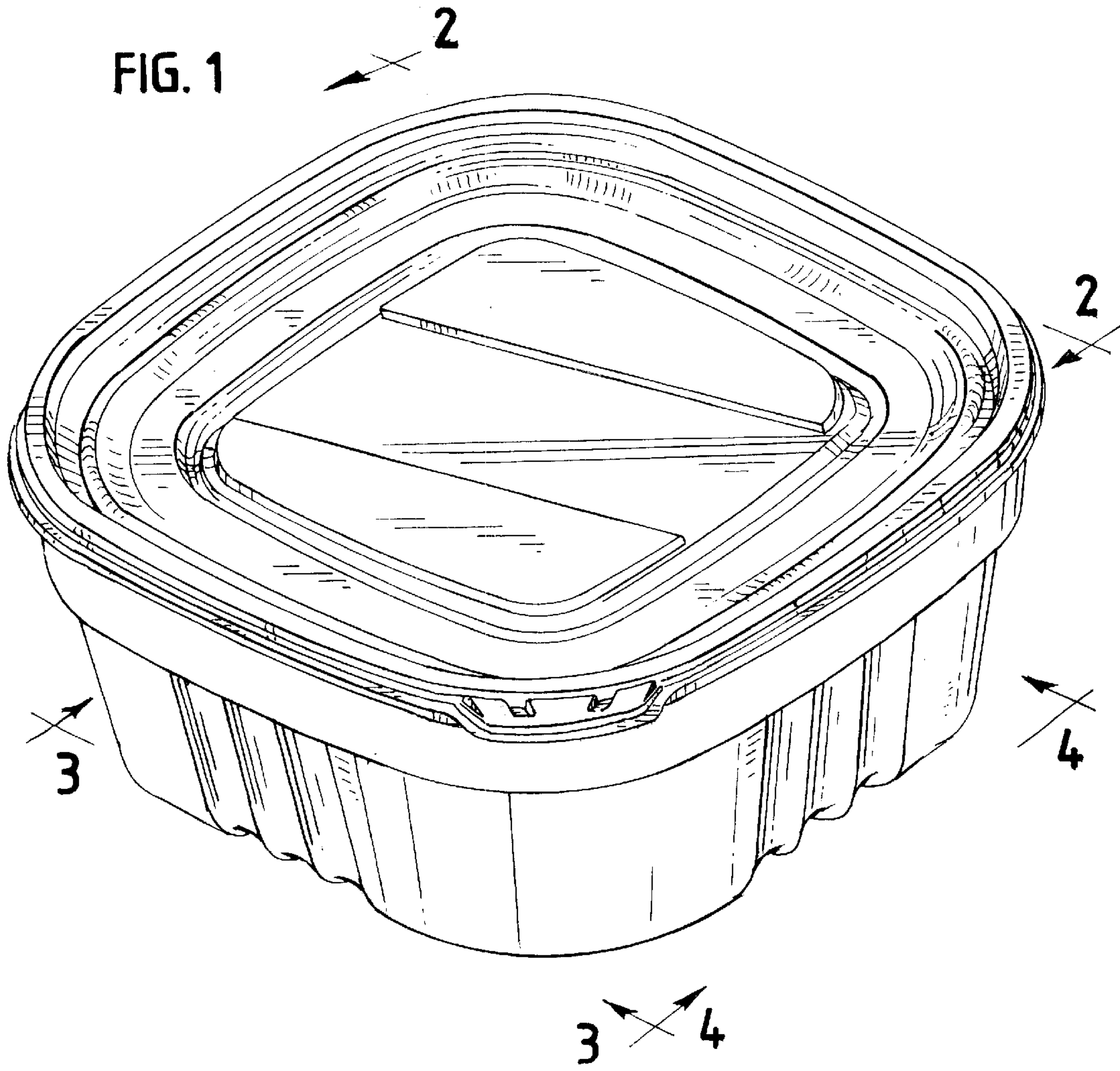


FIG. 3

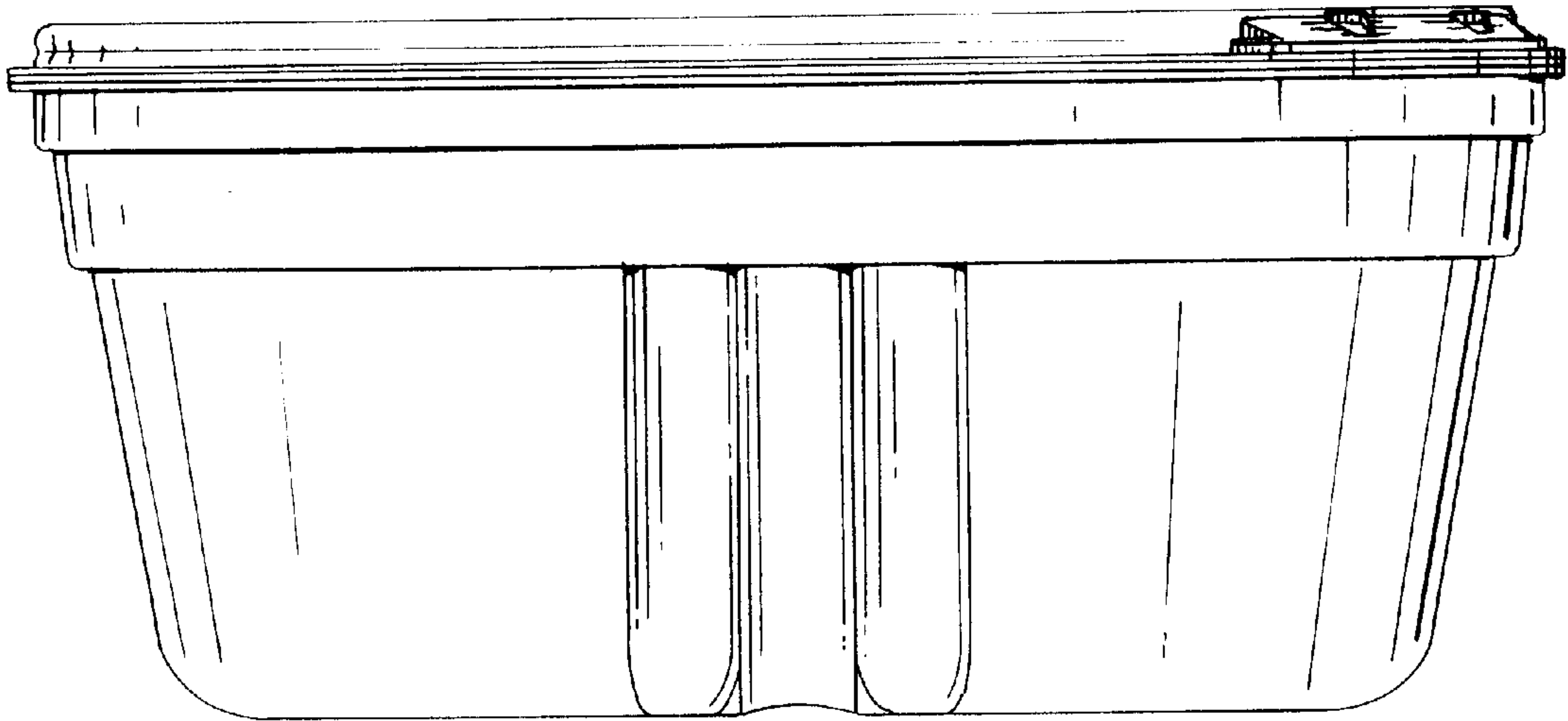


FIG. 4

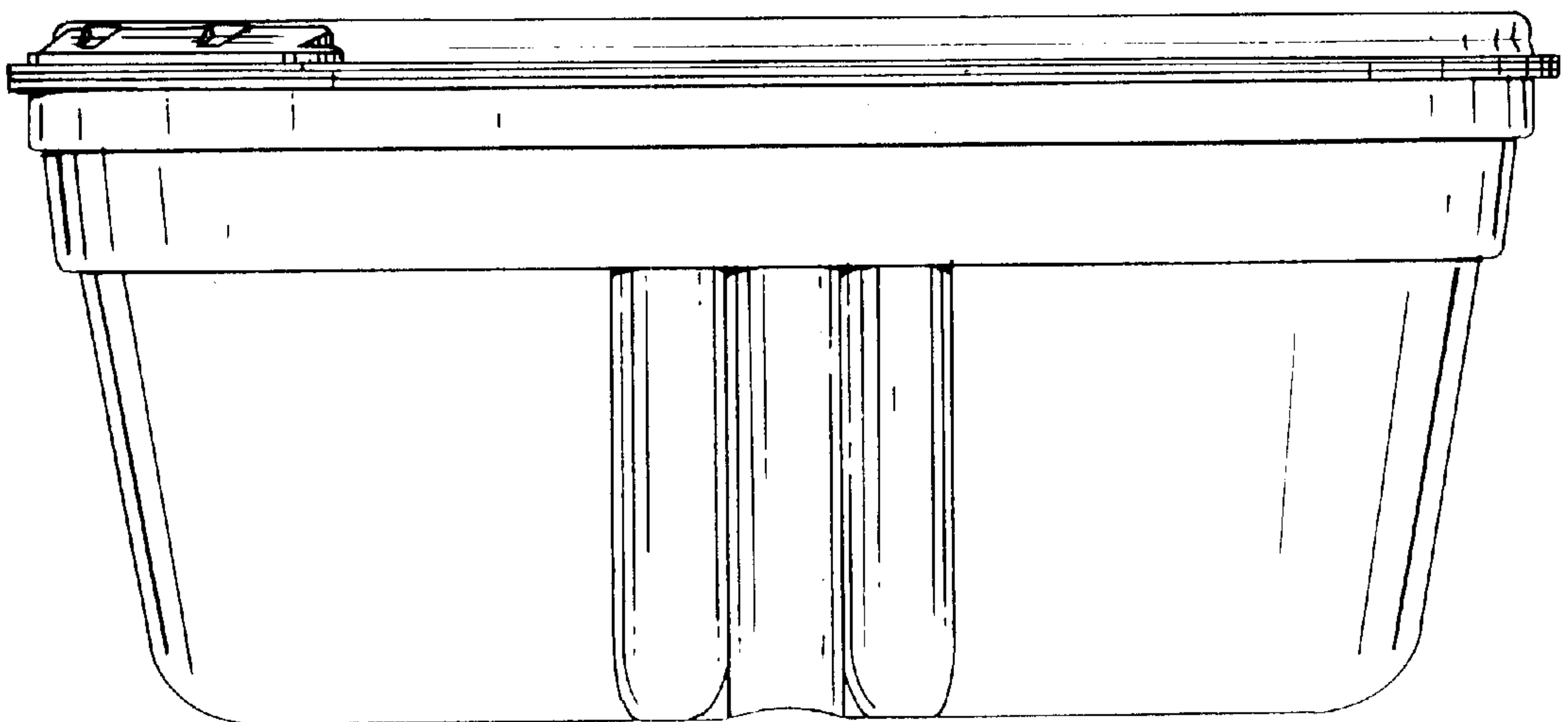


FIG. 5

