



US00D485472S

(12) **United States Design Patent**
McMullin

(10) **Patent No.:** **US D485,472 S**

(45) **Date of Patent:** **** Jan. 20, 2004**

(54) **FOOD SERVING UTENSIL**

(75) **Inventor:** **Kevin S. McMullin**, Dove Canyon, CA (US)

(73) **Assignee:** **Destiny Plastics, Inc.**, Dove Canyon, CA (US)

(**) **Term:** **14 Years**

(21) **Appl. No.:** **29/179,952**

(22) **Filed:** **Apr. 17, 2003**

RE23,573 E	*	11/1952	Gruen	D7/554.3
D187,157 S	*	2/1960	Anderson	D7/570
3,720,365 A	*	3/1973	Unger	229/406
3,792,809 A	*	2/1974	Schneider et al.	229/406
D302,177 S	*	7/1989	Evenson	D19/92
D312,027 S	*	11/1990	Cyr et al.	D7/585
D320,532 S	*	10/1991	Zielinski et al.	D7/560
D320,533 S	*	10/1991	Zielinski et al.	D7/560
D338,136 S	*	8/1993	Melamed et al.	D7/586
D424,934 S	*	5/2000	McCann	D9/428
D431,421 S	*	10/2000	Liu	D7/550.1
D431,422 S	*	10/2000	Lin	D7/565
D432,417 S	*	10/2000	McCann	D9/428
D476,592 S	*	7/2003	Badmagrian	D11/57

Related U.S. Application Data

(62) Division of application No. 29/160,396, filed on May 9, 2002, now Pat. No. Des. 476,529.

(51) **LOC (7) Cl.** **07-01**

(52) **U.S. Cl.** **D7/545; D7/554.3; D7/566; D7/588**

(58) **Field of Search** D7/570, 584, 585, D7/588, 586, 560, 565, 360, 545, 566, 587, 554.3, 554.2, 572, 396.2; 229/406; 220/574; D9/428, 429; 206/357; D6/309; D19/92; D30/118; D8/321; 99/446

References Cited

U.S. PATENT DOCUMENTS

D76,557 S	*	10/1928	Sebring	D7/570
D78,661 S	*	5/1929	Simmons	D7/585
D115,801 S	*	7/1939	Sakier	D7/566

* cited by examiner

Primary Examiner—M. N. Pandozzi

(74) *Attorney, Agent, or Firm*—Francis C. Hand; Carella, Byrne, Bain et al.

(57) **CLAIM**

The ornamental design for a food serving utensil, as shown and described.

DESCRIPTION

FIG. 1 illustrates a perspective view of a tray employing the ornamental design in accordance with the invention; FIG. 2 illustrates a top view of the tray of FIG. 1; FIG. 3 illustrates a side elevation view of the tray of FIG. 1 (each side being the same as that shown); and, FIG. 4 illustrates a bottom view of the tray of FIG. 1.

1 Claim, 2 Drawing Sheets

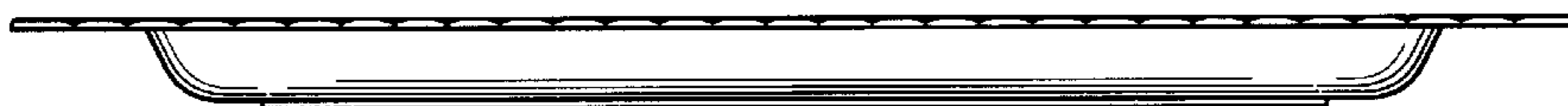
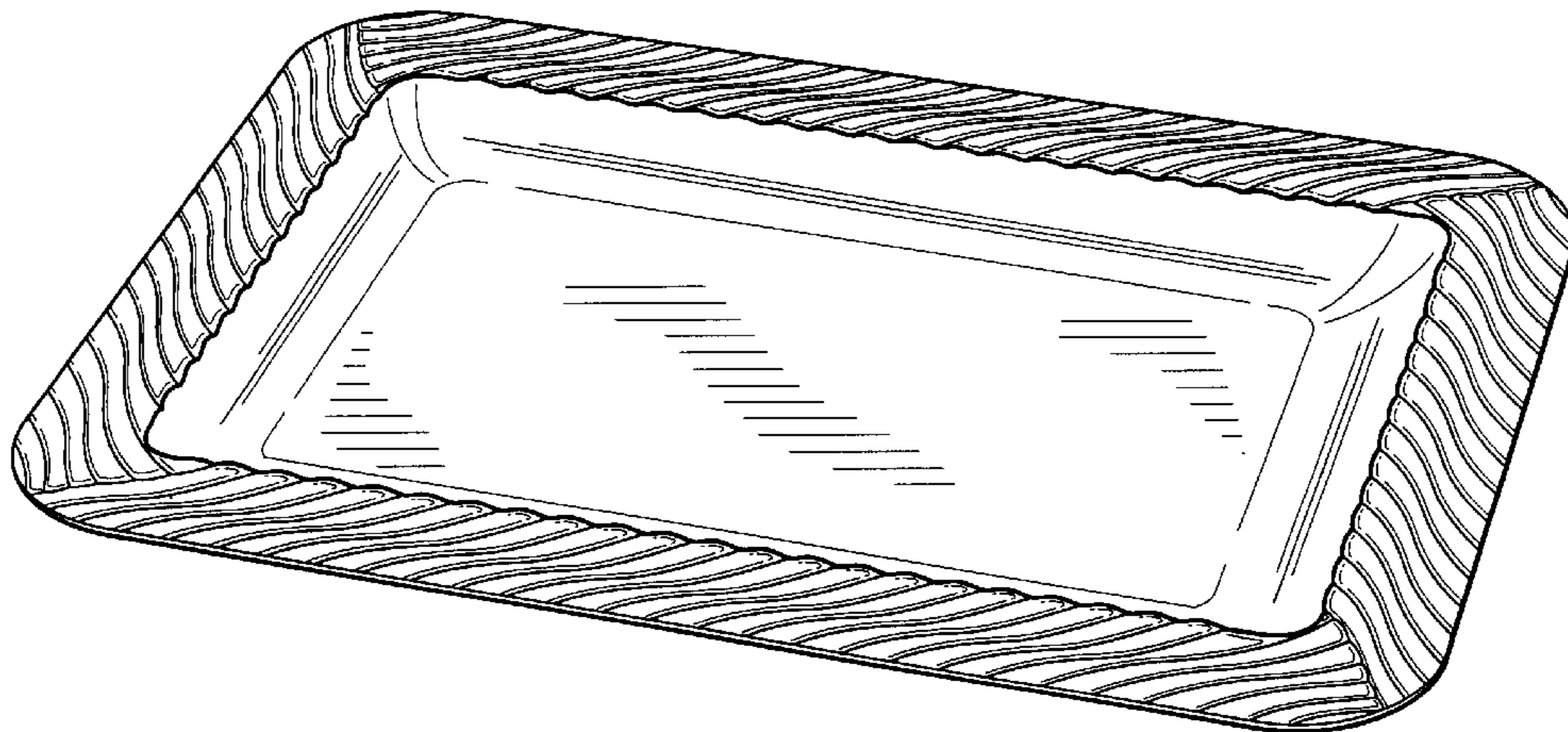


FIG. 1

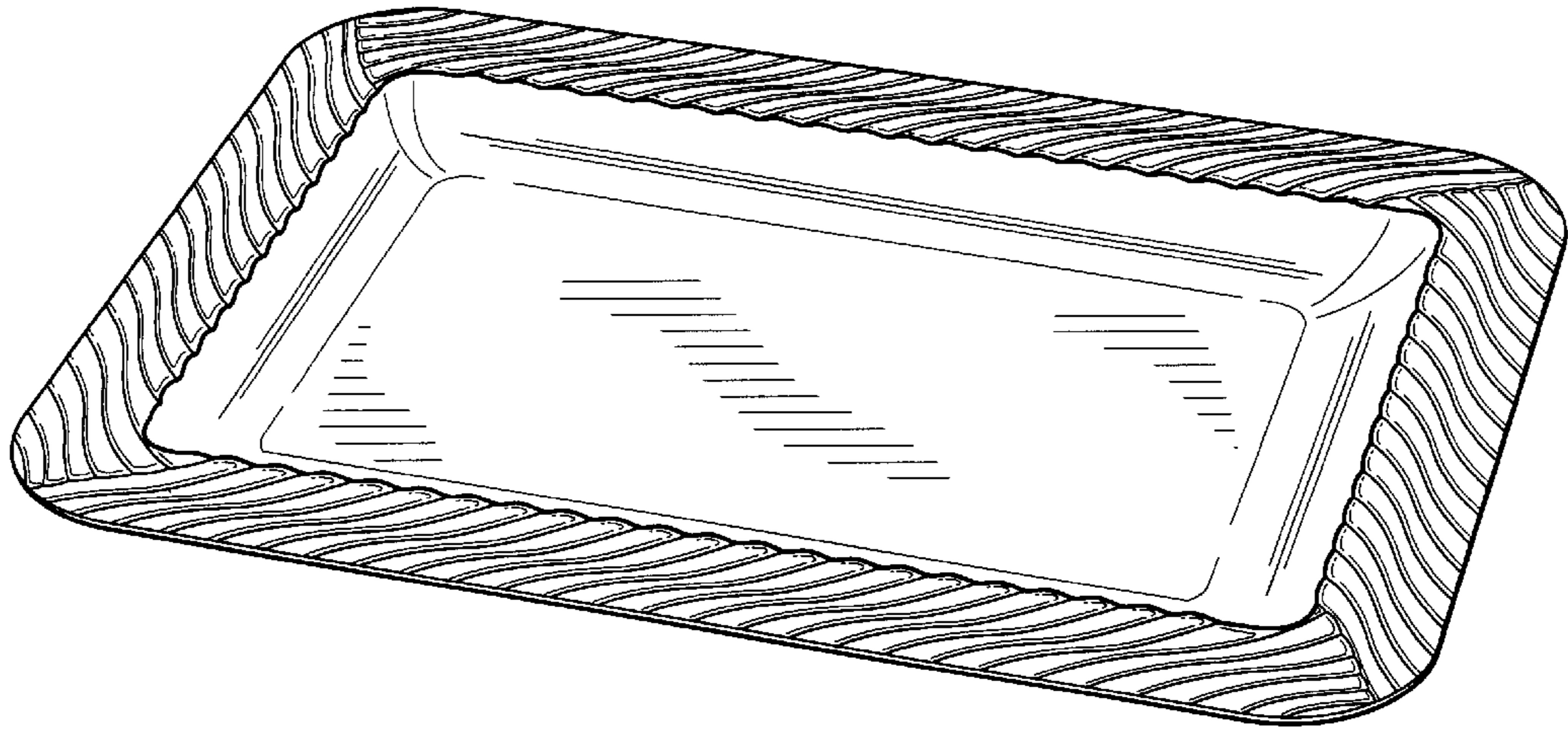


FIG. 2

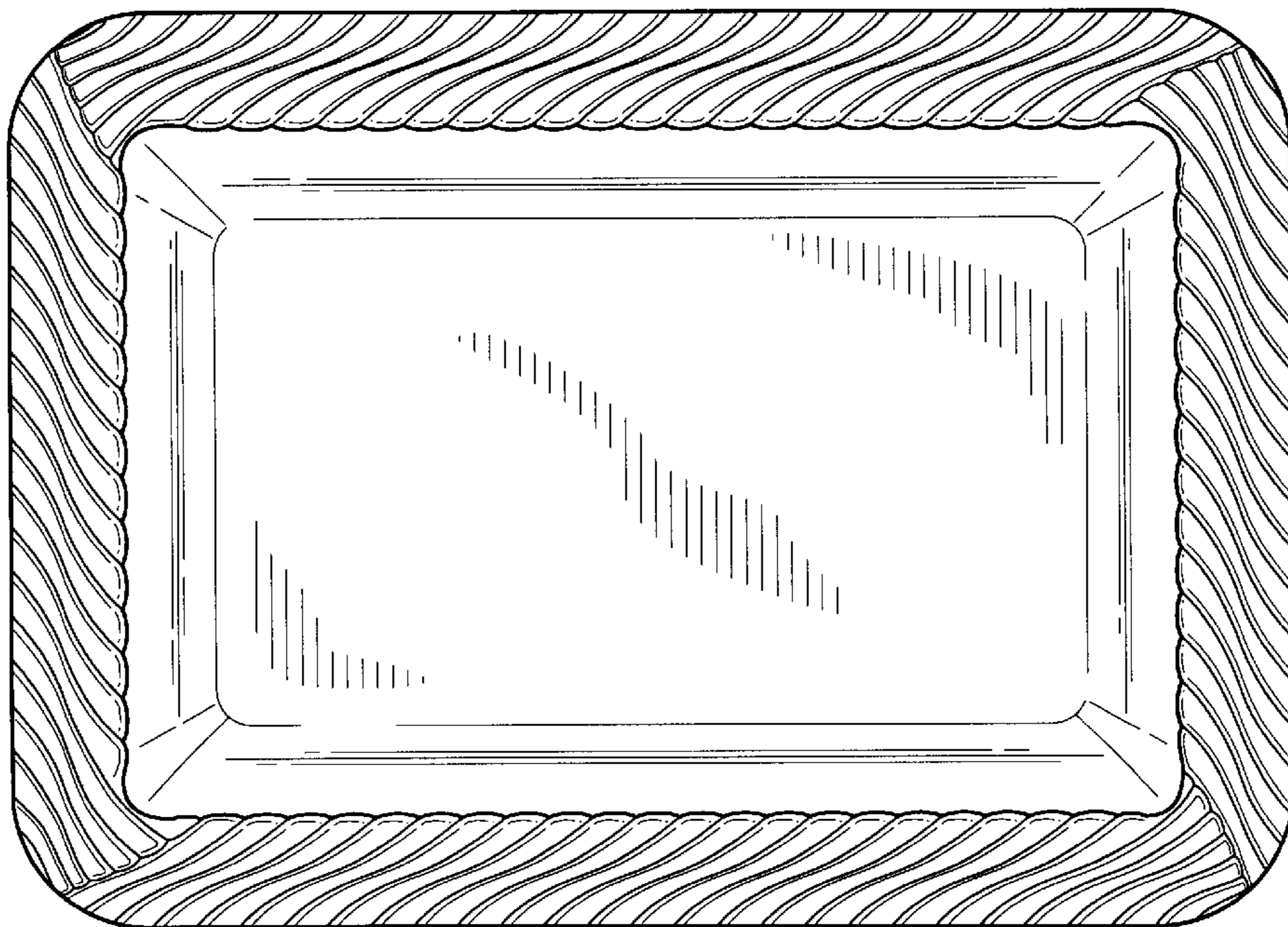


FIG. 3

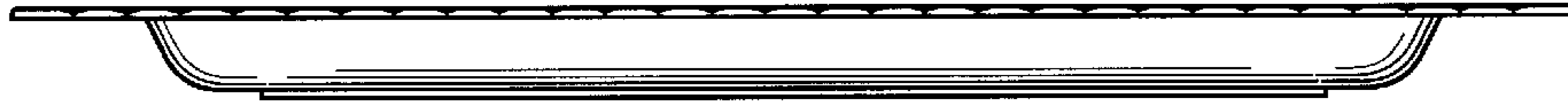


FIG. 4

