



US00D485470S

(12) **United States Design Patent**
Willis

(10) **Patent No.:** **US D485,470 S**

(45) **Date of Patent:** **** Jan. 20, 2004**

(54) **BOWL WITH A LID**

(75) Inventor: **Donald M. Willis**, Chino Hills, CA
(US)

(73) Assignee: **Pactiv Corporation**, Lake Forest, IL
(US)

(**) Term: **14 Years**

(21) Appl. No.: **29/171,588**

(22) Filed: **Nov. 25, 2002**

2,550,815 A	5/1951	Inwood	
2,811,152 A	10/1957	Wicks	
3,037,677 A	6/1962	Debs	
D195,699 S	7/1963	Bostrom	
3,099,377 A	7/1963	Metzler et al.	
D197,310 S	1/1964	Butzko	
3,229,886 A	1/1966	Grogel	
3,474,929 A	10/1969	Harker	
3,598,278 A	8/1971	Vann, Jr.	220/85 R
3,625,305 A	12/1971	Mueller et al.	182/46
3,737,068 A	6/1973	Bird	220/60
3,794,090 A	2/1974	Commisso	150/0.05
D235,302 S	6/1975	Lanigan	

(List continued on next page.)

Related U.S. Application Data

(63) Continuation-in-part of application No. 29/170,691, filed on Nov. 13, 2002, and a continuation-in-part of application No. 29/170,597, filed on Nov. 8, 2002, and a continuation-in-part of application No. 29/170,596, filed on Nov. 8, 2002, now Pat. No. Des. 476,852.

(51) **LOC (7) Cl.** **09-03**

(52) **U.S. Cl.** **D7/429; D9/542; D9/629; D9/538**

(58) **Field of Search** D9/428, 429, 424, D9/414; D7/629, 602, 601, 538, 565, 566, 540, 542, 562, 589, 592; 206/508, 557; 229/4.5, 93, 406, 407, 902-906, 125.25; 220/573.1, 253, 294, 780, 781, 783, 791, 793, 351, 376, 377, 574, 575, 4.21

(56) **References Cited**

U.S. PATENT DOCUMENTS

933,881 A	9/1909	Brown
D52,727 S	12/1918	Beiswanger
1,507,685 A	9/1924	Robinson
1,696,099 A	12/1928	Moore
1,974,898 A	9/1934	Rutledge
D108,209 S	2/1938	Kelly
2,170,040 A	8/1939	Stuart
2,179,188 A	11/1939	Kitselman
2,283,704 A	5/1942	Steudel

FOREIGN PATENT DOCUMENTS

WO 98/32665 7/1998

OTHER PUBLICATIONS

Roseware™ Bakery Collection Product Information (undated); 4 pages.

Roseware™ Juice Catcher Collection (undated); 2 pages.

Dynamic Packaging Inc. Product Information from website (2000); 3 pages.

Primary Examiner—Terry A. Wallace

(74) *Attorney, Agent, or Firm*—Jenkins & Gilchrist

(57) **CLAIM**

The ornamental design for a bowl with a lid, as shown.

DESCRIPTION

FIG. 1 is a perspective view of a bowl with a lid.

FIG. 2 is a top view of a bowl with a lid;

FIG. 3 is a bottom view of a bowl with a lid.

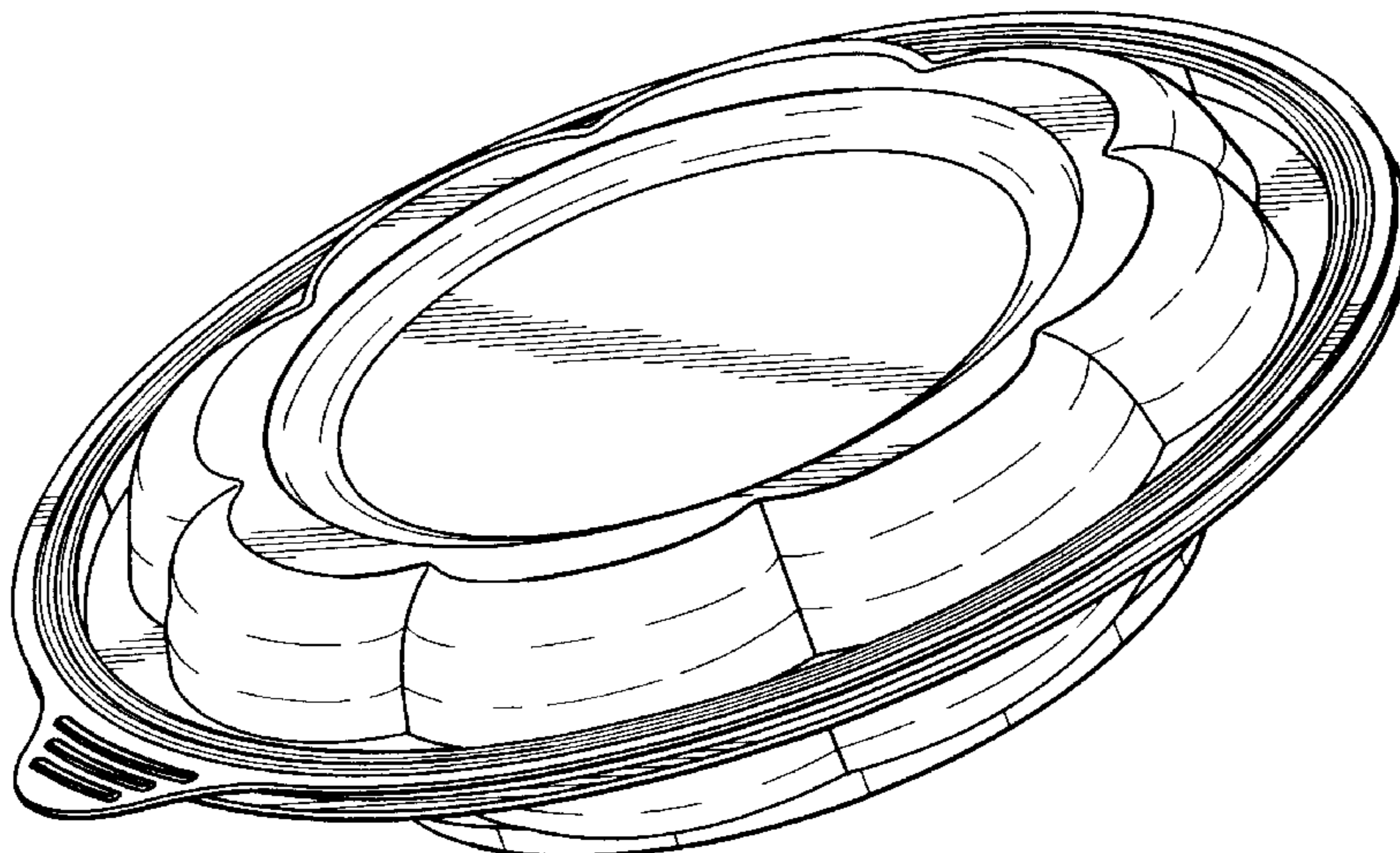
FIG. 4 is a front-side view of a bowl with a lid.

FIG. 5 is a back-side view of a bowl with a lid;

FIG. 6 is a left-side view of a bowl with a lid; and

FIG. 7 is a right-side view of a bowl with a lid.

1 Claim, 4 Drawing Sheets



US D485,470 S

Page 2

U.S. PATENT DOCUMENTS

D237,689 S	11/1975	Davis	D9/7	D305,592 S	1/1990	Harris et al.	D7/5
D242,972 S	1/1977	Day	D7/24	D307,395 S	4/1990	Borst	D9/428
D243,428 S	2/1977	Thrush	D7/5	4,930,627 A	6/1990	Borst et al.	206/45.23
D243,429 S	2/1977	Thrush	D7/5	4,947,993 A	8/1990	Brumli et al.	206/551
D243,430 S	2/1977	Thrush	D7/5	D310,768 S	9/1990	Levine	D7/543
D244,246 S	5/1977	Daenen	D7/17	4,961,494 A	10/1990	Alexander	206/45.2
D244,338 S	5/1977	Yauger	D7/23	4,962,849 A	10/1990	Anderson	206/45.24
D244,415 S	5/1977	Daenen	D7/23	D312,024 S	11/1990	Antoni et al.	D7/545
D244,573 S	6/1977	Thrush	D7/5	D312,025 S	11/1990	Antoni et al.	D7/552
D244,742 S	6/1977	Daenen	D7/17	D313,148 S	12/1990	de Winter	D7/318
D246,026 S	10/1977	Stahel	D7/130	4,974,738 A	12/1990	Kidd et al.	220/4 E
D248,006 S	5/1978	Christian	D7/23	D313,728 S	1/1991	Oropeza	D7/556
D248,076 S	6/1978	Christian	D7/20	5,011,006 A	4/1991	Anderson	206/45.18
D248,359 S	7/1978	Meyer	D7/22	5,046,659 A	9/1991	Warburton	229/2.5
D249,234 S	9/1978	Limon et al.	D9/219	D320,532 S	10/1991	Zielinski et al.	D7/560
D249,439 S	9/1978	Benes et al.	D7/17	D320,533 S	10/1991	Zielinski et al.	D7/560
D250,382 S	11/1978	Benes et al.	D7/28	D320,534 S	10/1991	Finney et al.	D7/560
D250,929 S	1/1979	Gerstman et al.	D7/28	D322,737 S	12/1991	Unger	D7/545
D250,930 S	1/1979	Franklin	D7/36	D323,097 S	1/1992	Picozza	D7/542
D251,713 S	5/1979	Brody	D7/28	D324,324 S	3/1992	Picozza	D7/565
4,157,762 A	6/1979	Robinson	220/1 R	D325,492 S	4/1992	Fabricius	D7/540
D253,272 S	10/1979	Ottier	D7/97	D328,705 S	8/1992	Krupa	D9/420
4,197,940 A	4/1980	DeRossett	206/46.32	D329,198 S	9/1992	Krupa	D9/423
4,202,464 A	5/1980	Mohs et al.	220/339	D329,572 S	9/1992	Krupa	D7/542
D255,199 S	6/1980	Gruber	D7/4	5,169,023 A	12/1992	Heiberg et al.	220/574
4,219,119 A	8/1980	Zefran	206/457	D332,892 S	2/1993	Sun	D7/540
D257,654 S	12/1980	Campana et al.	D7/1	D335,085 S	4/1993	Wacker	D9/504
D259,009 S	4/1981	Connolly et al.	D7/17	5,220,999 A	6/1993	Goulette	206/45.23
D263,668 S	4/1982	Knutson	D7/29	D337,696 S	7/1993	Sun	D7/538
D266,818 S	11/1982	Trombly	D7/40	D338,375 S	8/1993	Andress	D7/565
4,362,252 A	12/1982	Graff	220/270	5,266,763 A	11/1993	Colombo	219/10.55
4,375,862 A	3/1983	Kurinsky et al.	220/293	5,269,430 A	12/1993	Schlaupitz et al.	220/4.23
D270,698 S	9/1983	Husted	D7/22	D343,576 S	1/1994	Krupa	D9/423
D271,378 S	11/1983	Sun	D9/424	D344,210 S	2/1994	Cousins et al.	D7/538
D271,651 S	12/1983	Knutson	D7/29	D344,211 S	2/1994	Froger	D7/565
D271,835 S	12/1983	Knutson	D7/29	D344,660 S	3/1994	Krupa	D7/629
D272,030 S	1/1984	Sleith	D7/28	D344,875 S	3/1994	Pomroy et al.	D7/552
D275,255 S	8/1984	Durand	D7/28	D345,894 S	4/1994	Krupa	D7/552
D275,636 S	9/1984	Picozza	D7/40	D345,912 S	4/1994	Krupa	D9/429
D275,922 S	10/1984	Weil	D7/1	D349,005 S	7/1994	Cousins et al.	D7/543
4,491,225 A	1/1985	Baillod	206/583	D349,213 S	8/1994	Cousins et al.	D7/543
D278,588 S	4/1985	Knutson	D7/29	D351,968 S	11/1994	Zivin	D7/564
D279,445 S	7/1985	Jagger	D7/22	D351,999 S	11/1994	Krupa	D9/423
D279,532 S	7/1985	Pozzi	D7/21	D352,207 S	11/1994	Jaworski	D7/585
4,535,889 A	8/1985	Terauds	206/527	D353,230 S	12/1994	Reusche et al.	D30/123
D280,482 S	9/1985	Knutson	D7/29	D353,518 S	12/1994	Cantereels et al.	D7/560
D280,590 S	9/1985	Schrage	D7/360	D353,519 S	12/1994	Wolfenden	D7/584
D280,688 S	9/1985	Laslo	D7/5	5,375,701 A	12/1994	Hustad et al.	206/45.18
D280,689 S	9/1985	Knutson	D7/29	D354,436 S	1/1995	Krupa	D9/423
D281,661 S	12/1985	Unger	D7/28	D354,884 S	1/1995	Carranza	D7/564
D283,193 S	4/1986	Daenen	D7/317	5,390,816 A	2/1995	Boyd	220/574
D283,388 S	4/1986	Durand	D7/28	D356,010 S	3/1995	McEntee	D7/557
D284,160 S	6/1986	Durand	D7/360	D358,091 S	5/1995	Warburton	D9/429
D285,405 S	9/1986	Grange	D7/412	5,413,239 A	5/1995	Rider, Jr.	220/339
D286,249 S	10/1986	Carlson	D7/23	5,423,453 A	6/1995	Fritz	220/608
D286,726 S	11/1986	Daenen et al.	D7/23	5,425,467 A	6/1995	Feer et al.	220/281
D286,844 S	11/1986	Daenen et al.	D7/23	D360,112 S	7/1995	McEntee	D7/584
D288,050 S	2/1987	Fox et al.	D7/20	D361,696 S	8/1995	Wolfenden	D7/584
D290,327 S	6/1987	Durand	D7/28	5,441,166 A	8/1995	Lucas, Jr. et al.	220/306
D292,159 S	10/1987	Thrush	D7/40	D363,879 S	11/1995	Krupa et al.	D9/423
4,705,163 A	11/1987	James	206/45.32	D364,090 S	11/1995	Krupa	D9/429
D293,292 S	12/1987	Finsilver	D7/16	D364,998 S	12/1995	Held	D7/545
4,742,934 A	5/1988	Michaud et al.	220/306	5,497,894 A	3/1996	Krupa et al.	220/4.23
4,753,351 A	6/1988	Guillin	206/520	D369,278 S	4/1996	Scialpi et al.	D7/579
D296,640 S	7/1988	Miller	D7/20	5,515,993 A	5/1996	McManus	220/339
D298,001 S	10/1988	Perry	D7/21	D371,721 S	7/1996	Redmond et al.	D7/565
D304,121 S	10/1989	Gabayno	D34/42	D371,940 S	7/1996	Krupa	D7/549
D304,275 S	10/1989	Kiefer	D7/23	D371,964 S	7/1996	Krupa	D9/429
D304,317 S	10/1989	Wagner	D11/153	D373,050 S	8/1996	Brewer et al.	D7/505
D304,909 S	12/1989	Natori	D9/423	5,542,565 A	8/1996	Hidalgo-Lopez	220/574
				D374,820 S	10/1996	Knoss et al.	D9/429

US D485,470 S

Page 3

D375,683 S	11/1996	Schoff	D9/429	D411,288 S	6/1999	Cuttriss	D23/284
D376,314 S	12/1996	Krupa	D9/425	D413,230 S	8/1999	Horvat	D7/558
D376,954 S	12/1996	Burns et al.	D7/560	D413,489 S	9/1999	Miller	D7/602
D376,960 S	12/1996	Ferris	D7/629	D414,657 S	10/1999	Sgro	D7/564
D377,450 S	1/1997	Krupa et al.	D9/425	D415,025 S	10/1999	McCann	D9/429
D378,192 S	2/1997	Krupa et al.	D9/425	D415,385 S	10/1999	Loew et al.	D7/392.1
D378,886 S	4/1997	Joyce	D7/585	D415,657 S	10/1999	Cornelissen	D7/566
D380,381 S	7/1997	Krupa et al.	D9/425	D415,933 S	11/1999	Cornelissen	D7/587
D381,563 S	7/1997	Longstreth	D7/610	D416,760 S	11/1999	Horvat	D7/558
D382,796 S	8/1997	Mangla	D9/429	D417,817 S	12/1999	Loew et al.	D7/392.1
5,657,873 A	8/1997	Hustad et al.	206/764	D419,382 S	1/2000	Horvat	D7/558
5,657,874 A	8/1997	Hustad et al.	206/764	D420,857 S	2/2000	Loew et al.	D7/558
D383,646 S	9/1997	Jeppesen et al.	D7/584	D421,549 S	3/2000	Hints	D7/555
D384,551 S	10/1997	Ahern, Jr.	D7/392.1	D422,843 S	4/2000	Rashid	D7/555
D384,554 S	10/1997	Ancona et al.	D7/505	D423,880 S	5/2000	Rashid	D7/545
D385,461 S	10/1997	Cousins	D7/538	D426,427 S	6/2000	Rubbright et al.	D7/565
5,695,798 A	12/1997	Rozzano	426/115	6,073,795 A	6/2000	Longstreth	220/574
D389,056 S	1/1998	Hayes et al.	D9/435	D429,961 S	8/2000	Harris	D7/540
D391,118 S	2/1998	J.o slashed.rgensen	D7/586	D431,419 S	10/2000	Greene	D7/538
D391,850 S	3/1998	Krupa et al.	D9/429	D432,360 S	10/2000	Greene	D7/543
D392,159 S	3/1998	Longstreth	D7/610	D432,362 S	10/2000	Fait	D7/562
D392,881 S	3/1998	Bulcher et al.	D9/425	D433,600 S	11/2000	Hollinger	D7/565
5,730,313 A	3/1998	Hayes et al.	220/526	D434,604 S	12/2000	Littlejohn et al.	D7/545
D401,475 S	11/1998	Ritchey	D7/543	D434,945 S	12/2000	Godwin	D7/546
D402,506 S	12/1998	Chilewich	D7/558	D440,829 S	4/2001	Brown	D7/629
D402,507 S	12/1998	Chilewich	D7/358	D445,310 S	7/2001	Brown	D7/629
D402,511 S	12/1998	Chilewich	D7/584	D447,910 S	9/2001	Brown	D7/396.1
D402,852 S	12/1998	Benson	D7/545	D449,522 S	10/2001	Brown	D9/425
D404,258 S	1/1999	Indekeu	D7/585	D450,537 S	11/2001	Hayes	D7/538
D404,614 S	1/1999	Indekeu	D7/588	D457,037 S	5/2002	Hayes	D7/584
D406,986 S	3/1999	Lewis	D7/558	D457,781 S	5/2002	Brown	D7/396.1
D407,266 S	3/1999	Silva	D7/392.1	D461,678 S	8/2002	Hayes	D7/392.1
D411,078 S	6/1999	Cornelissen	D7/586				

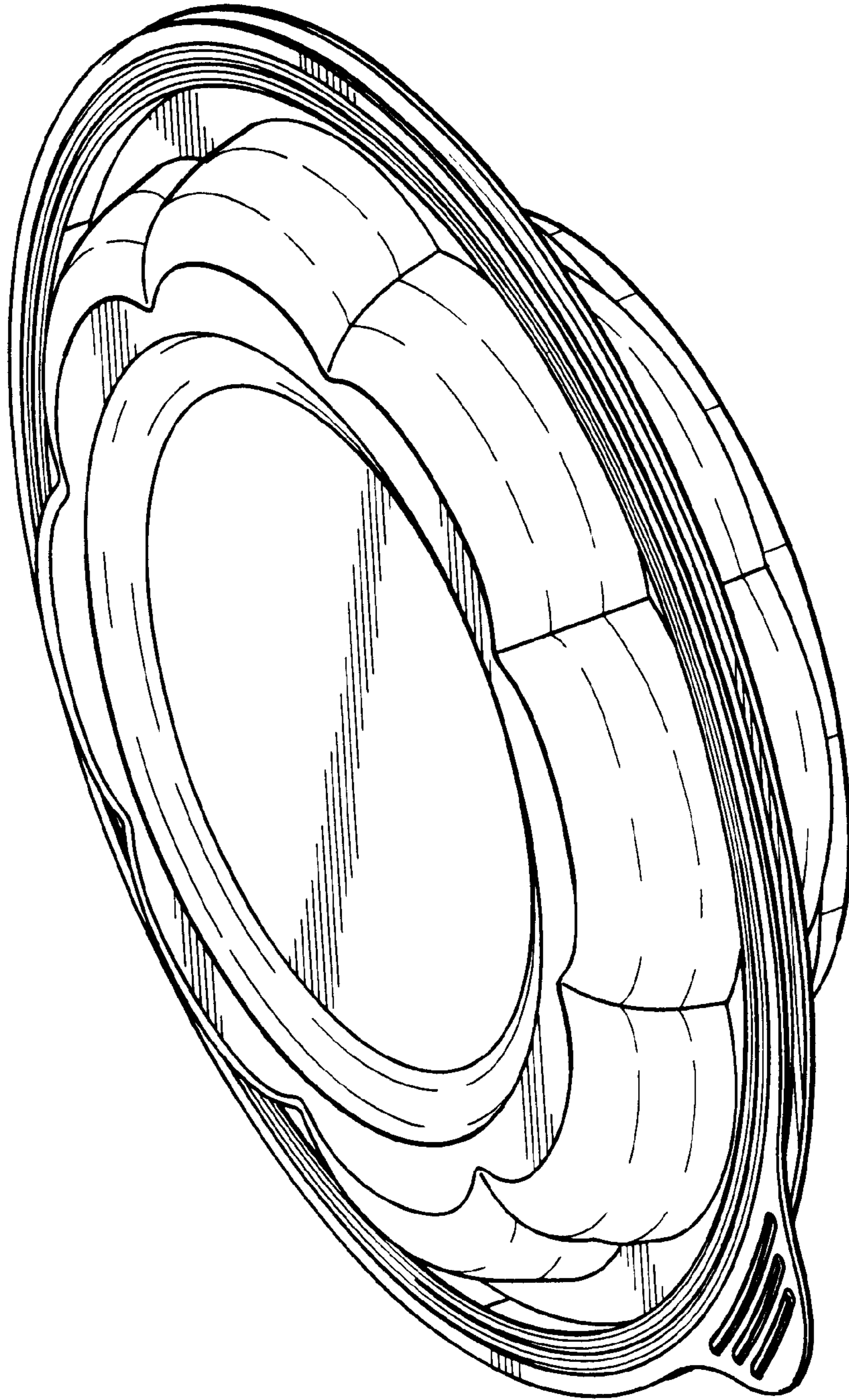


Fig. 1

Fig. 2

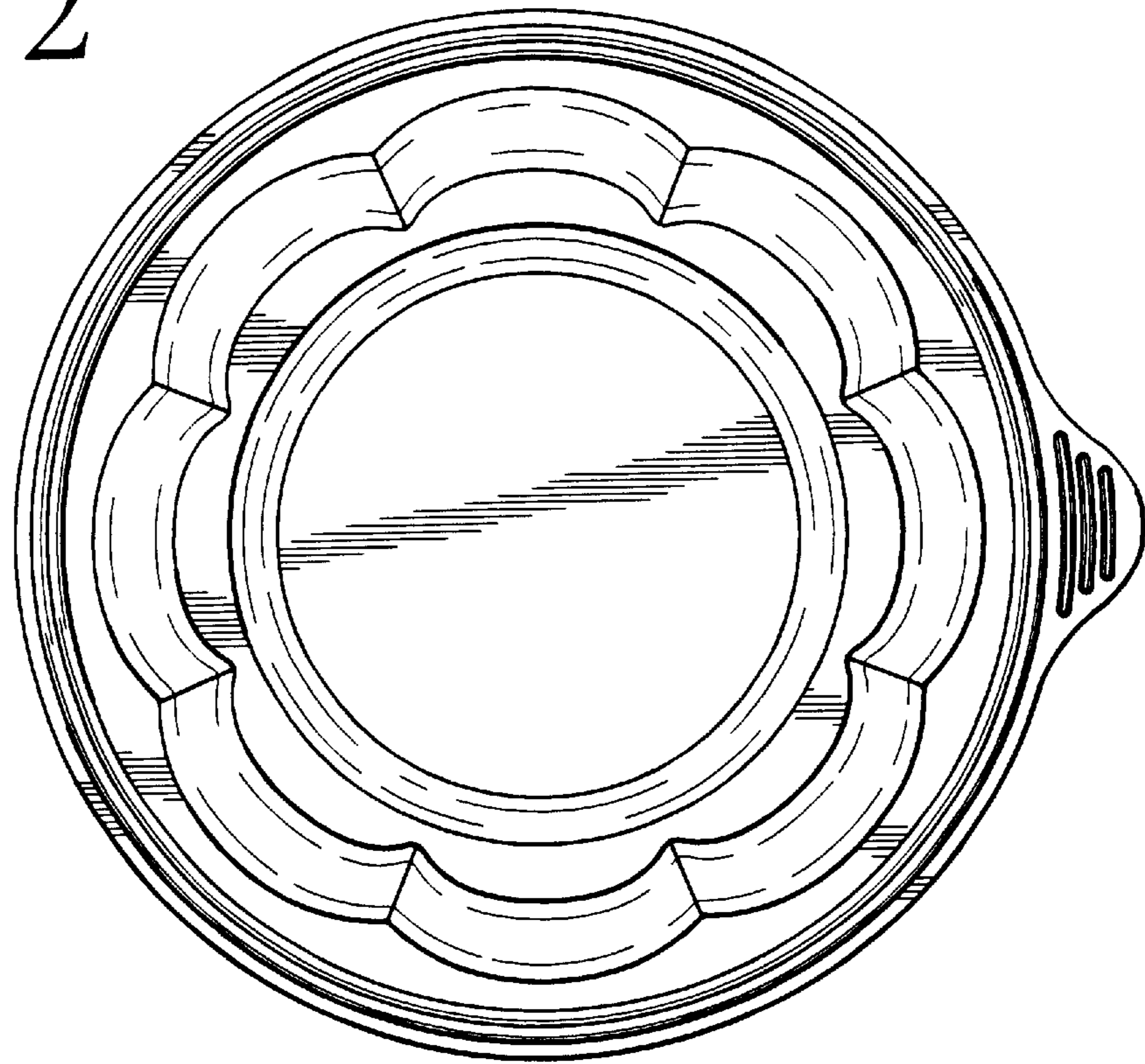


Fig. 3

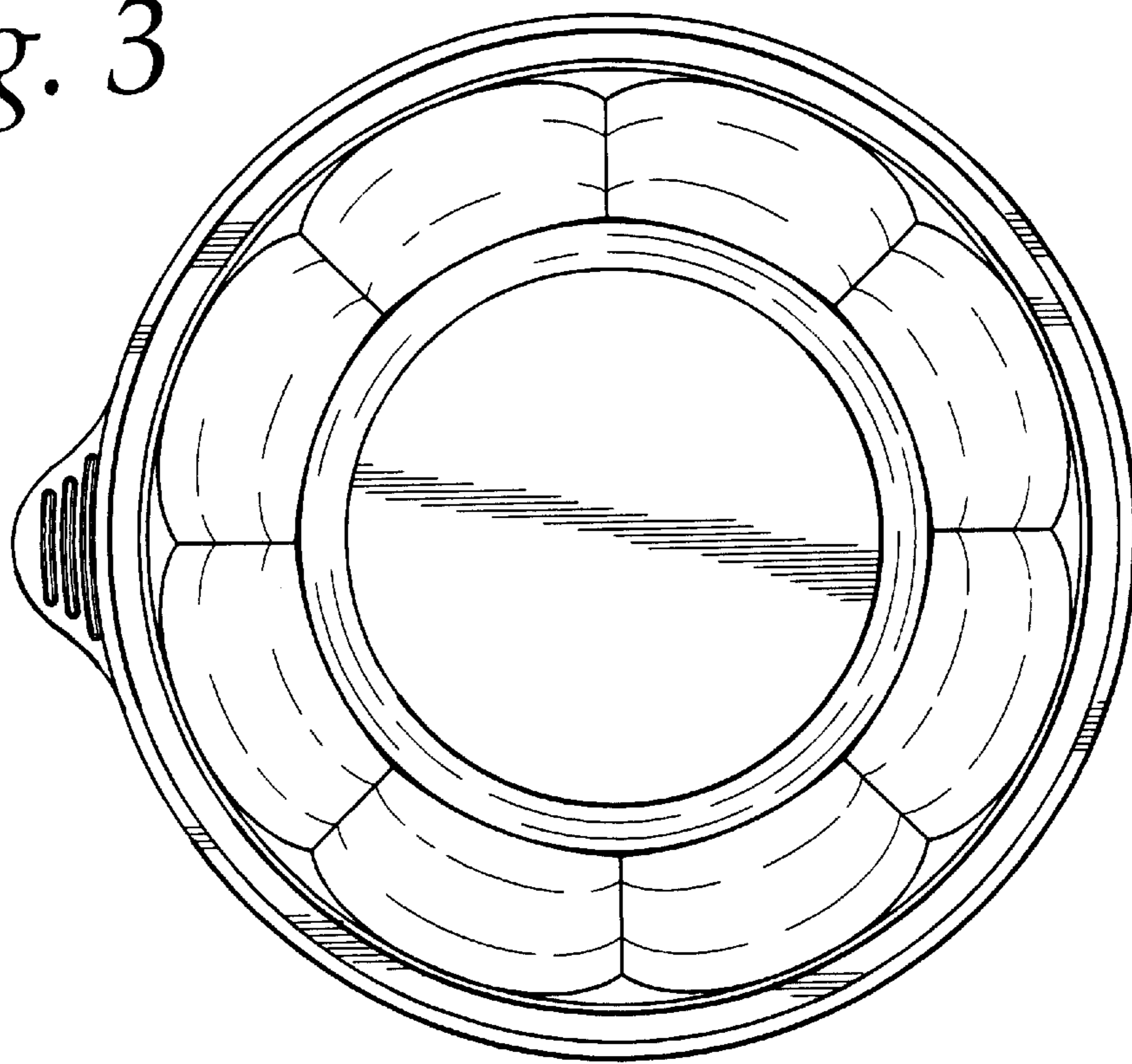


Fig. 4

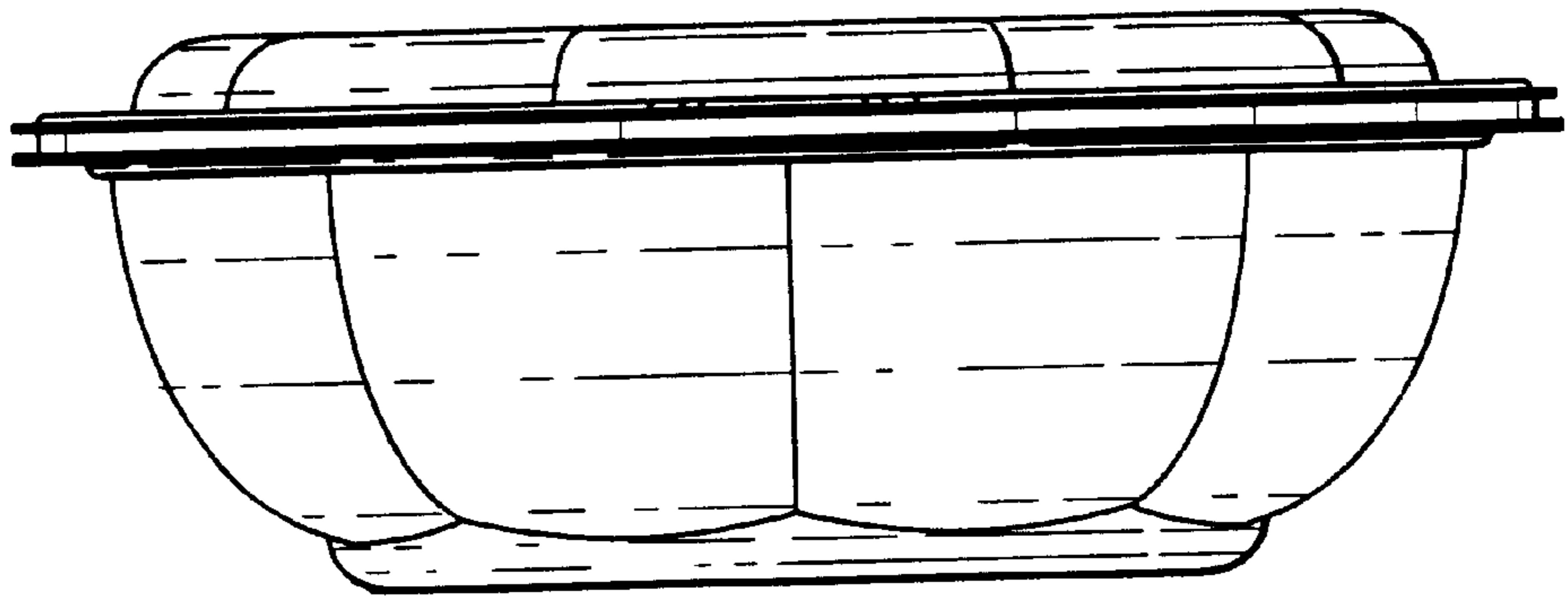


Fig. 5

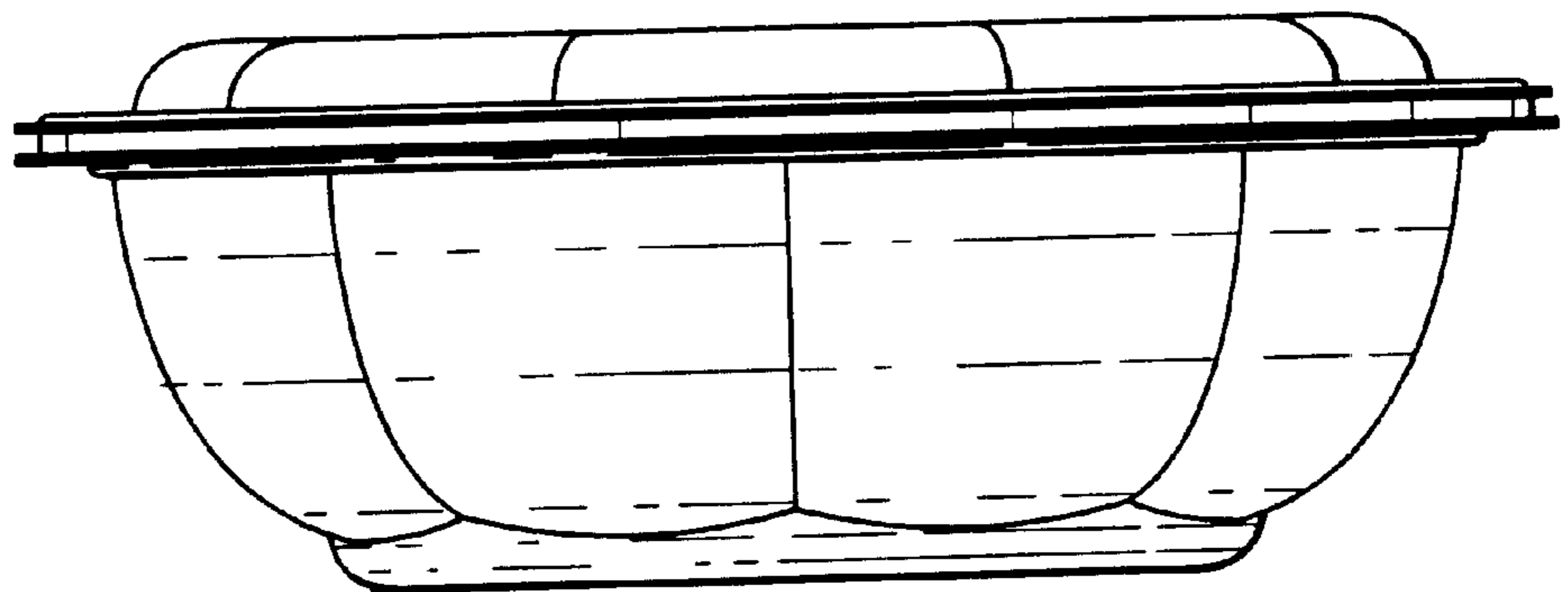


Fig. 6

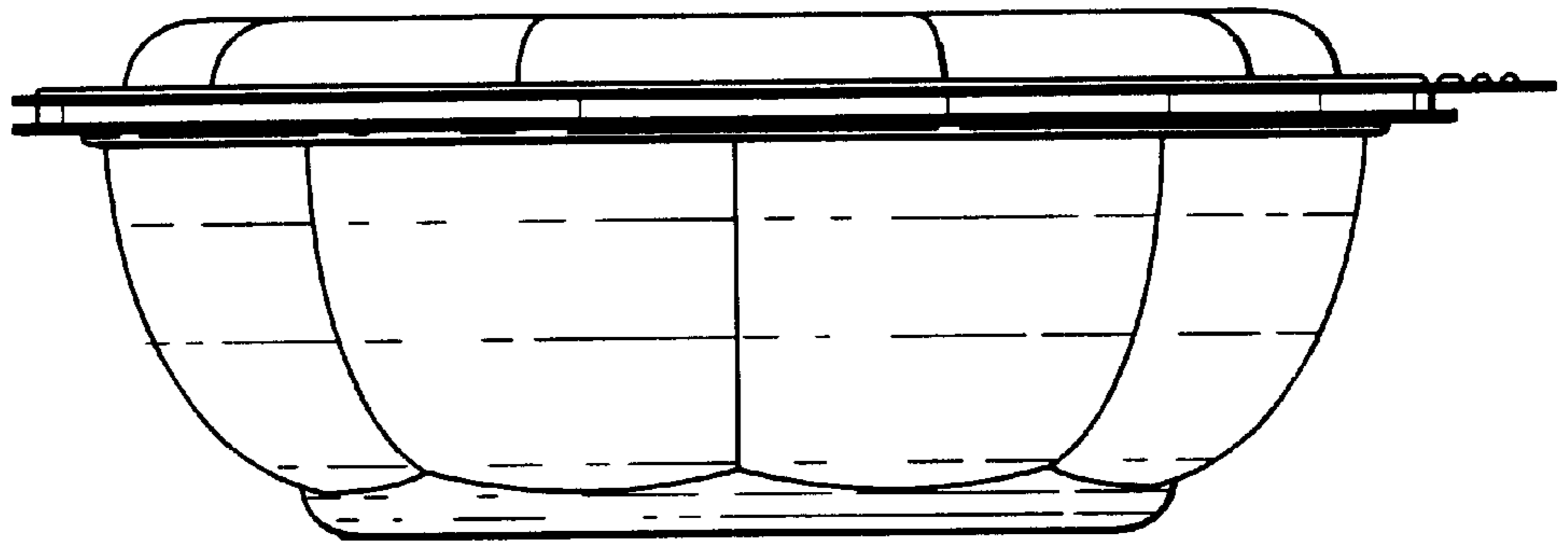


Fig. 7

