



US00D485467S

(12) **United States Design Patent**  
**Pai**

(10) **Patent No.:** **US D485,467 S**

(45) **Date of Patent:** **\*\* Jan. 20, 2004**

(54) **BARBECUE GRILL**

(76) **Inventor:** **Lucas Pai**, 8 Fl.-2, No. 160, Sec. 1,  
Chung-Kang Rd., Taichung (TW)

(\*\*) **Term:** **14 Years**

(21) **Appl. No.:** **29/177,575**

(22) **Filed:** **Mar. 13, 2003**

(51) **LOC (7) Cl.** ..... **07-02**

(52) **U.S. Cl.** ..... **D7/334**

(58) **Field of Search** ..... D7/323, 332-337,  
D7/354, 402-404; 126/25 R, 25 A, 25 AA,  
38, 37 A, 41 R, 40; 99/450, 481-482

(56) **References Cited**

**U.S. PATENT DOCUMENTS**

- 4,886,045 A \* 12/1989 Ducate et al. .... 126/41 R
- D316,355 S \* 4/1991 Stephen et al. .... D7/334
- D461,359 S \* 8/2002 Coleman et al. .... D7/334
- D462,227 S \* 9/2002 Alden et al. .... D7/334
- D466,756 S \* 12/2002 Bossler et al. .... D7/334
- D470,357 S \* 2/2003 Home ..... D7/334

- D471,057 S \* 3/2003 Chung ..... D7/334
- D472,756 S \* 4/2003 Pai ..... D7/334
- D475,235 S \* 6/2003 Home ..... D7/334
- D476,188 S \* 6/2003 Wood ..... D7/334

\* cited by examiner

*Primary Examiner*—Ruth McInroy

(74) *Attorney, Agent, or Firm*—Dennison, Schultz & Dougherty

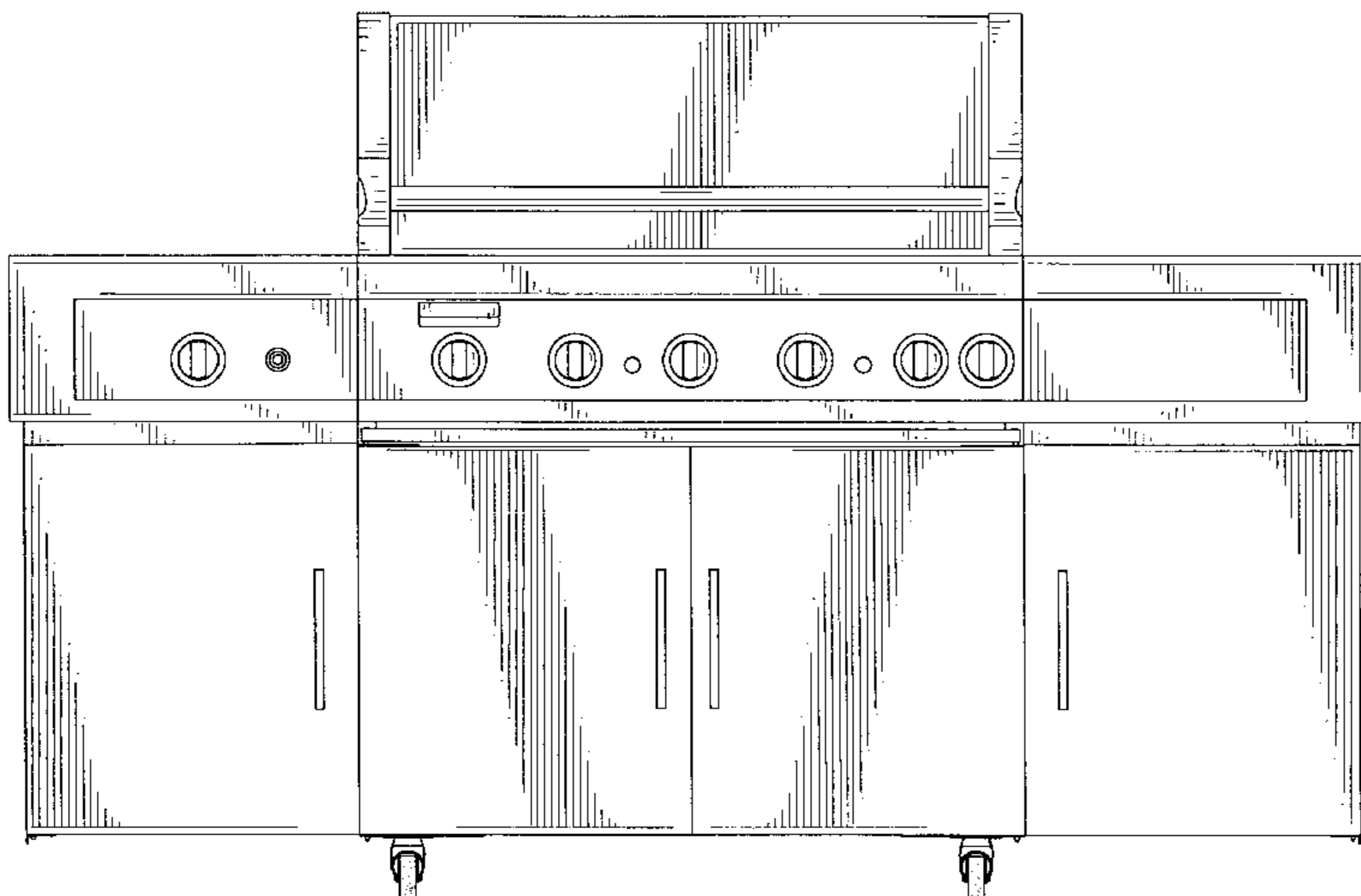
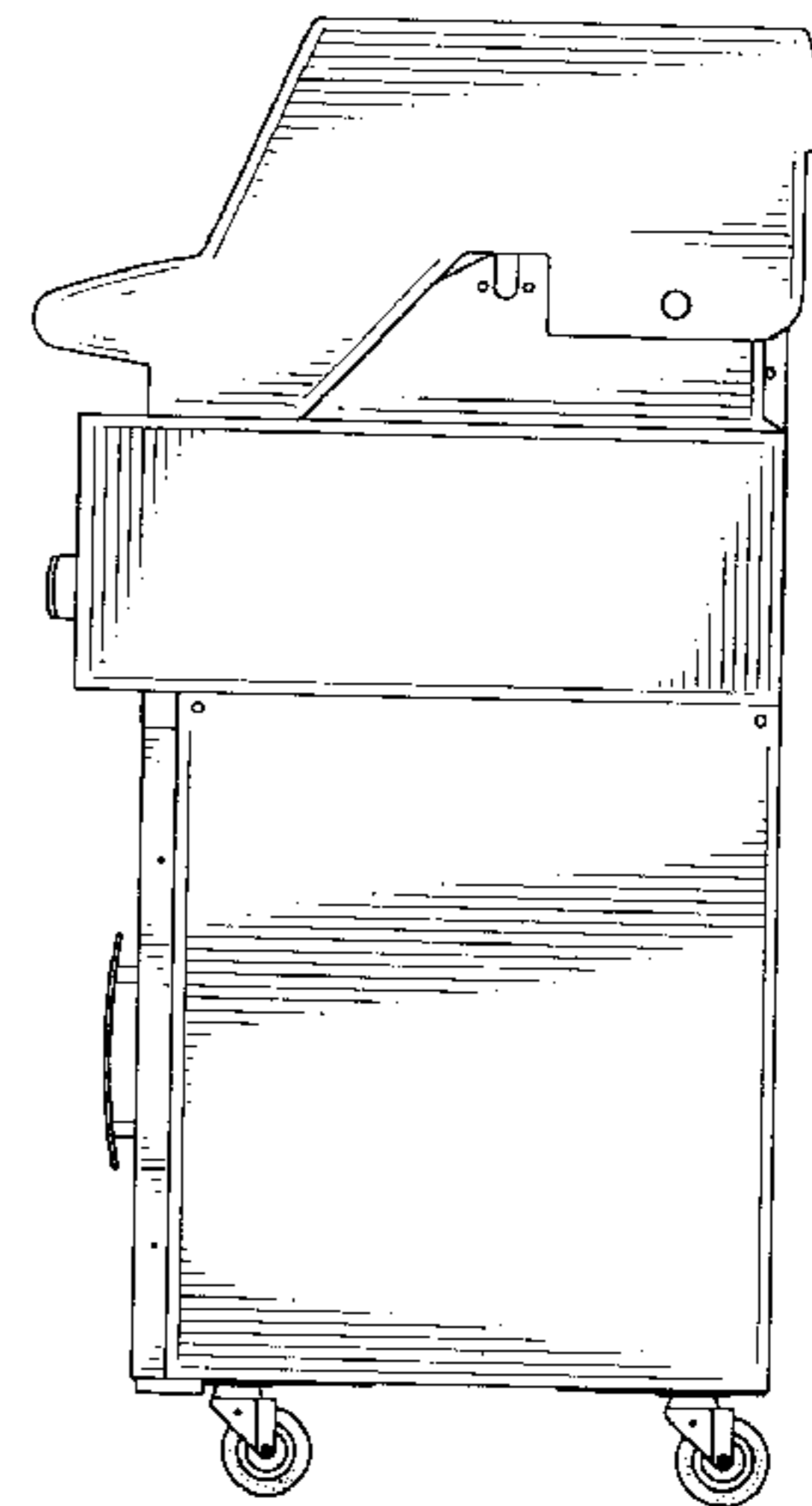
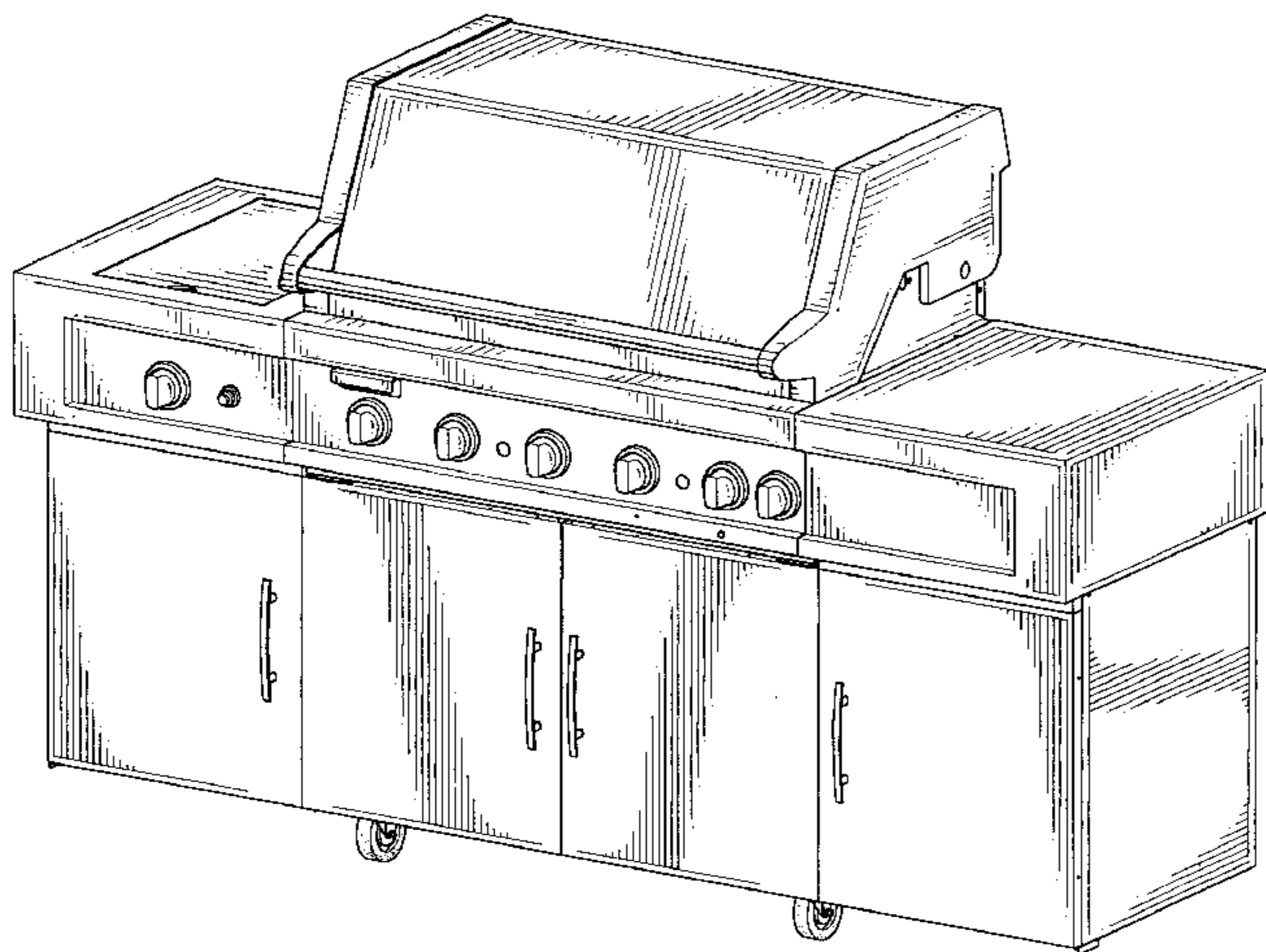
(57) **CLAIM**

The ornamental design for a barbecue grill, as shown.

**DESCRIPTION**

FIG. 1 is a perspective view of a barbecue grill, showing my new design;  
 FIG. 2 is a front elevational view thereof;  
 FIG. 3 is a rear elevational view thereof;  
 FIG. 4 is a left side elevational view thereof;  
 FIG. 5 is a right side elevational view thereof;  
 FIG. 6 is a top plan view thereof; and,  
 FIG. 7 is a bottom plan view thereof.

**1 Claim, 6 Drawing Sheets**



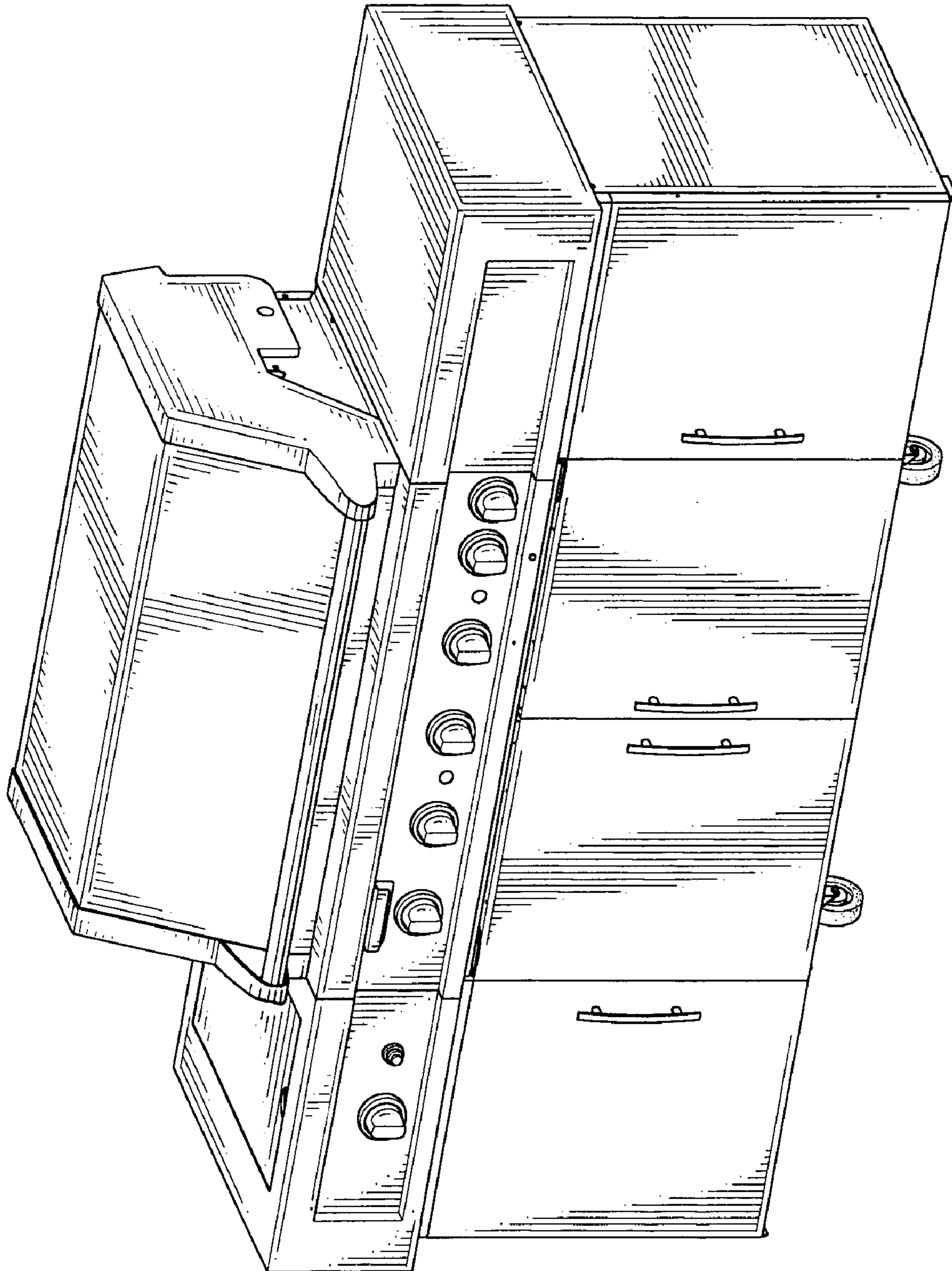


FIG.1

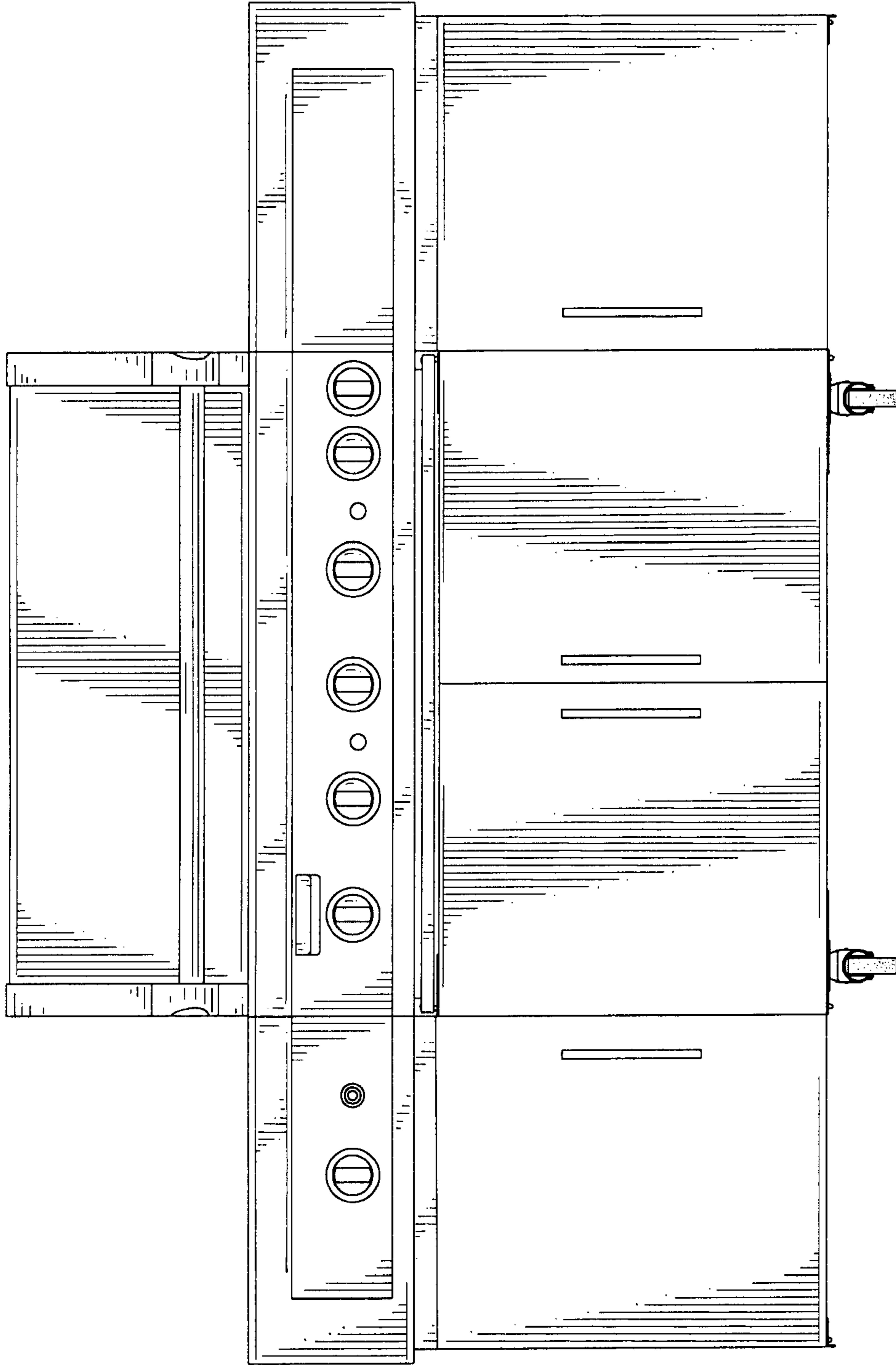


FIG.2

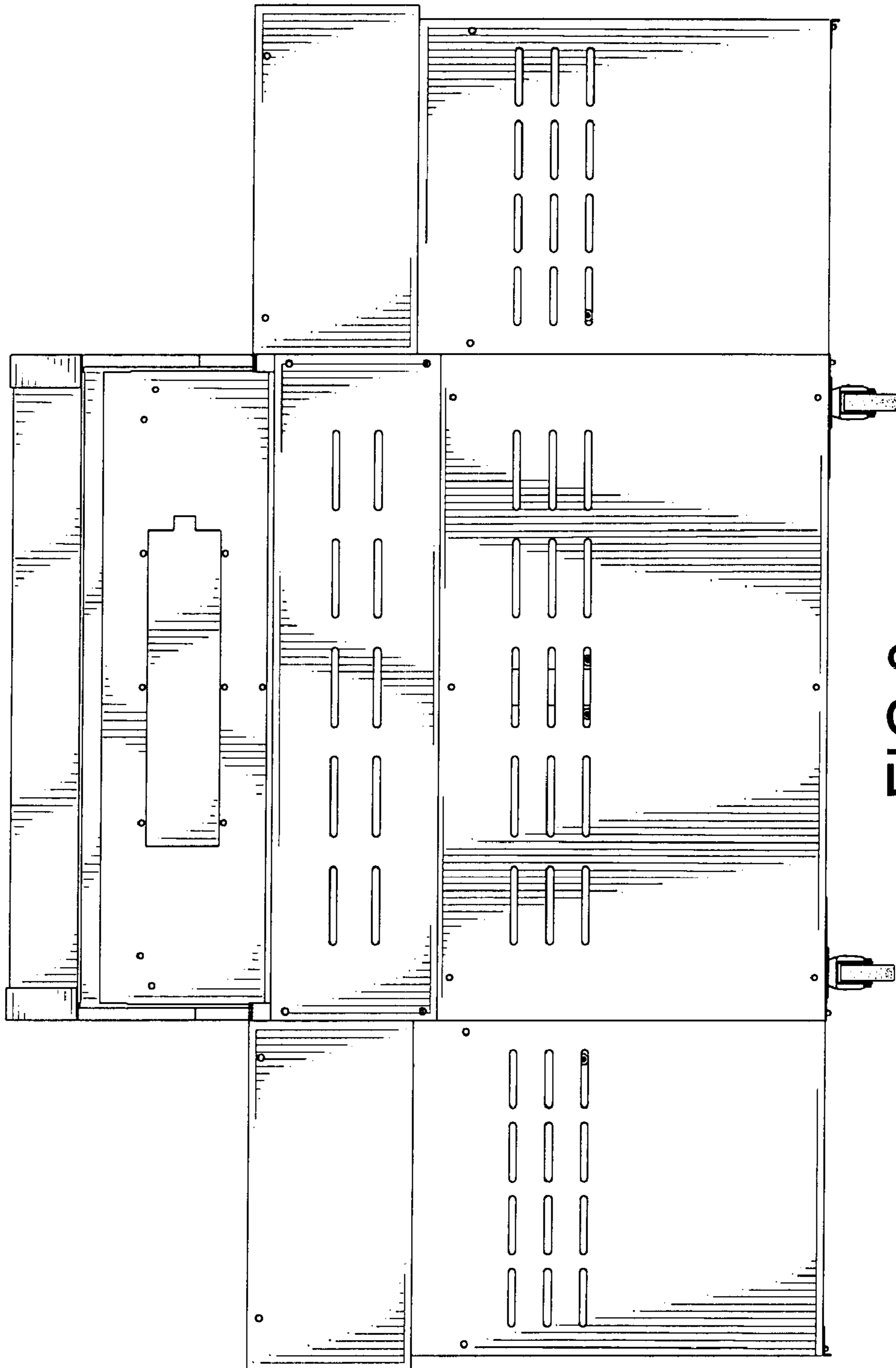


FIG.3

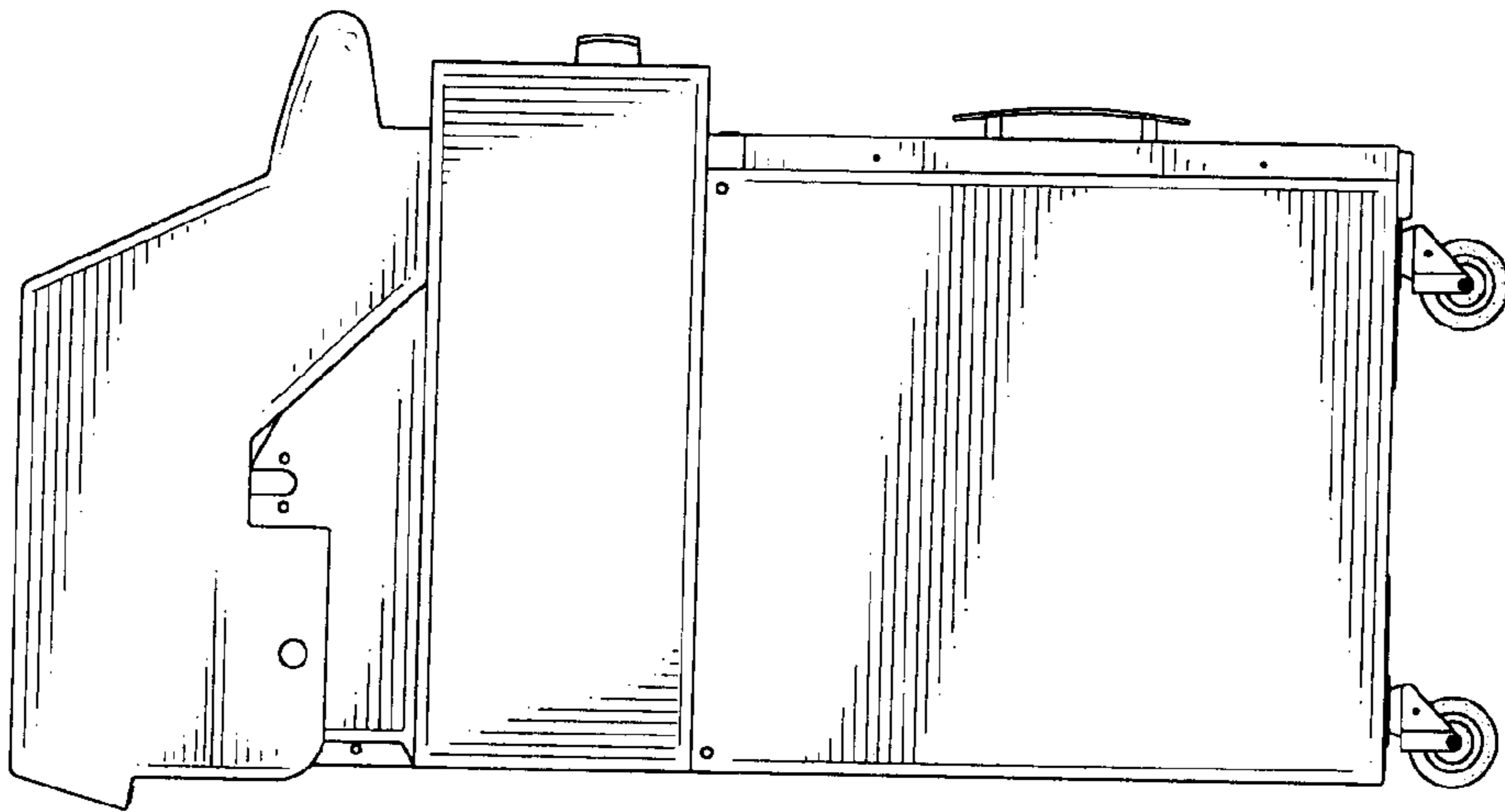


FIG. 4

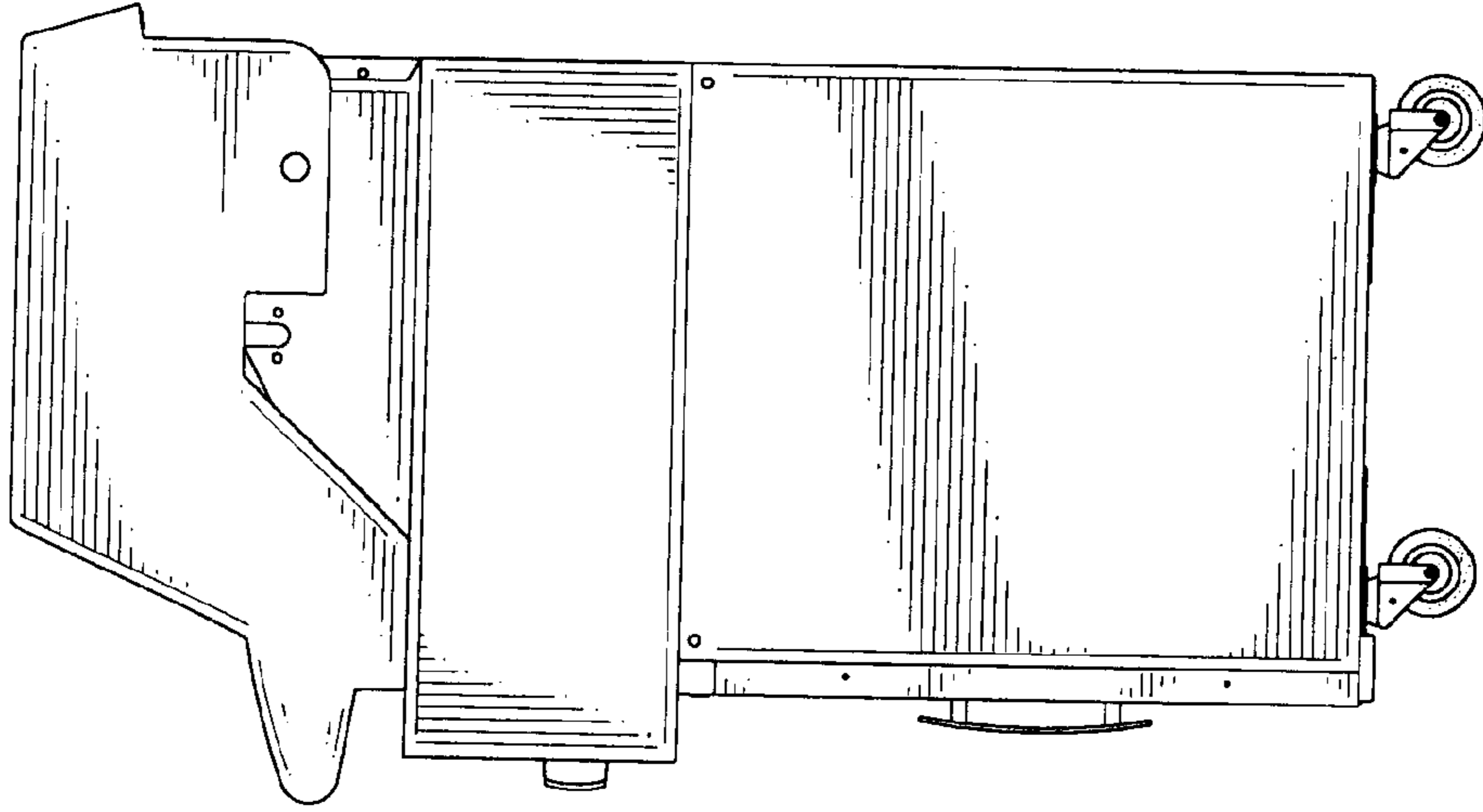


FIG. 5

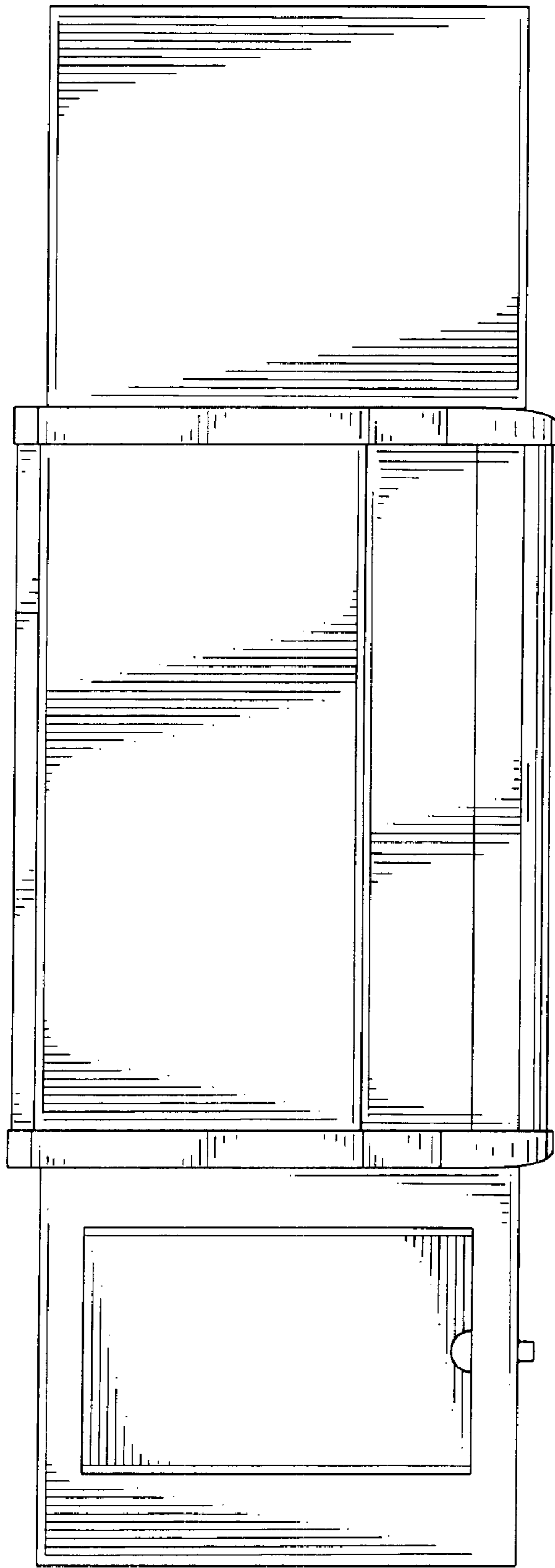


FIG.6

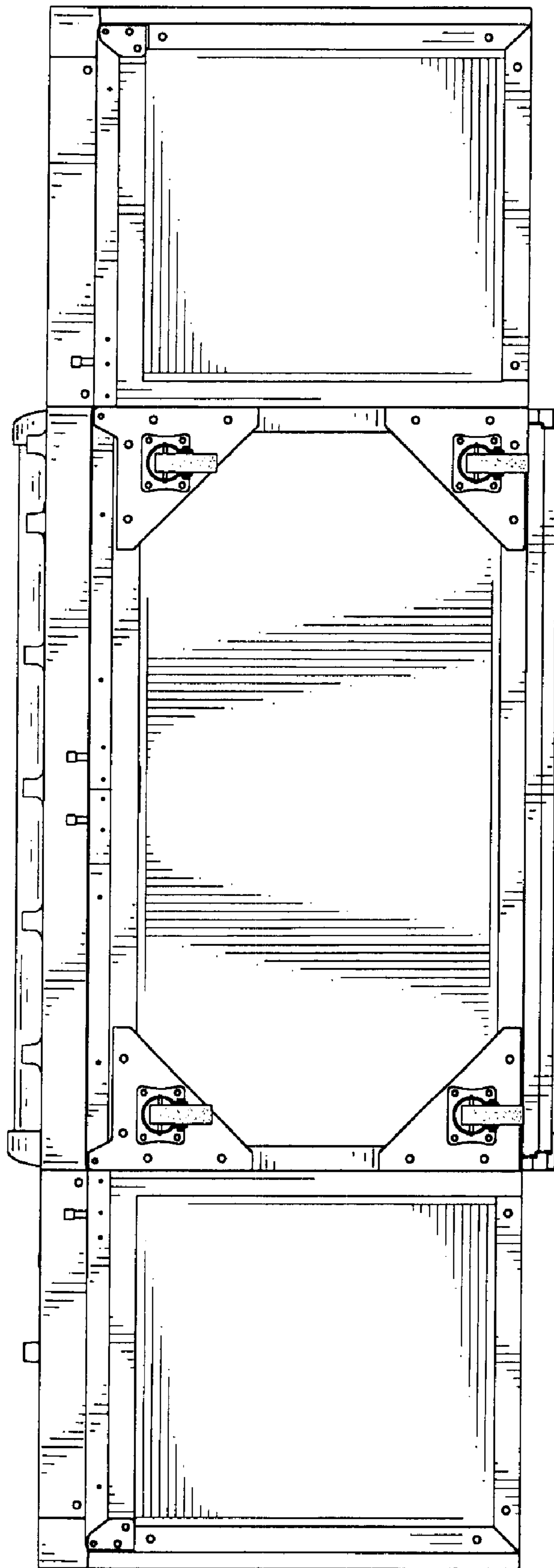


FIG.7