



US00D485465S

(12) **United States Design Patent**
Hassett

(10) **Patent No.:** **US D485,465 S**

(45) **Date of Patent:** **** Jan. 20, 2004**

(54) **HANGING FILE FOR CD STORAGE**

(75) **Inventor:** **Eric S. Hassett**, Golden, CO (US)

(73) **Assignee:** **Case Logic, Inc.**, Longmont, CO (US)

(**) **Term:** **14 Years**

(21) **Appl. No.:** **29/172,727**

(22) **Filed:** **Dec. 16, 2002**

(51) **LOC (7) Cl.** **19-04**

(52) **U.S. Cl.** **D6/626; D6/628; D6/629;**
D19/90

(58) **Field of Search** D3/201, 215, 217,
D3/218, 226, 238, 247, 254, 257, 270,
272, 273, 276, 295, 303, 307; D6/407,
408, 475, 626-635; D9/337, 424, 445,
454; D19/90, 18, 307; 206/307.1, 308.1,
308.2, 308.3, 309-310, 311, 312, 313, 445,
749; 312/902, 9.9, 9.48, 9.55, 9.64, 9.47,
9.53, 328; 379/355; 383/18

(56) **References Cited**

U.S. PATENT DOCUMENTS

4,236,770	A	*	12/1980	Moore et al.	312/184
5,165,544	A	*	11/1992	Gusenoff et al.	206/308.3
D332,697	S	*	1/1993	Schildkraut	D3/303
5,256,130	A	*	10/1993	Kachel et al.	493/210
5,261,636	A	*	11/1993	Hawes, Jr. et al.	281/45
D354,471	S	*	1/1995	Moseley	D12/191
D363,603	S	*	10/1995	Leveen et al.	D3/303
D407,441	S	*	3/1999	Greenberg et al.	D19/90
D413,753	S	*	9/1999	Allsop	D6/626
5,967,337	A	*	10/1999	Fitzburgh	211/40
D419,358	S	*	1/2000	Marcon	D6/626

D470,185 S * 2/2003 Hassett D19/90
2003/0089762 A1 * 5/2003 Mark et al. 229/67.2

OTHER PUBLICATIONS

Case logic What's Inside Survives Catalog, 2002, p. 15.

* cited by examiner

Primary Examiner—Celia Murphy

(74) *Attorney, Agent, or Firm*—Sheridan Ross P.C.

(57) **CLAIM**

The ornamental design for a hanging file for CD storage, as shown and described.

DESCRIPTION

FIG. 1 is a front perspective view of a hanging file for CD storage showing my new design, in a position of use, the broken lines representing environment and forming no part of the claimed design;

FIG. 2 is a front elevational view of the invention illustrated in FIG. 1;

FIG. 3 is a left side elevational view of the invention illustrated in FIG. 1;

FIG. 4 is a right side elevational view of the invention illustrated in FIG. 1;

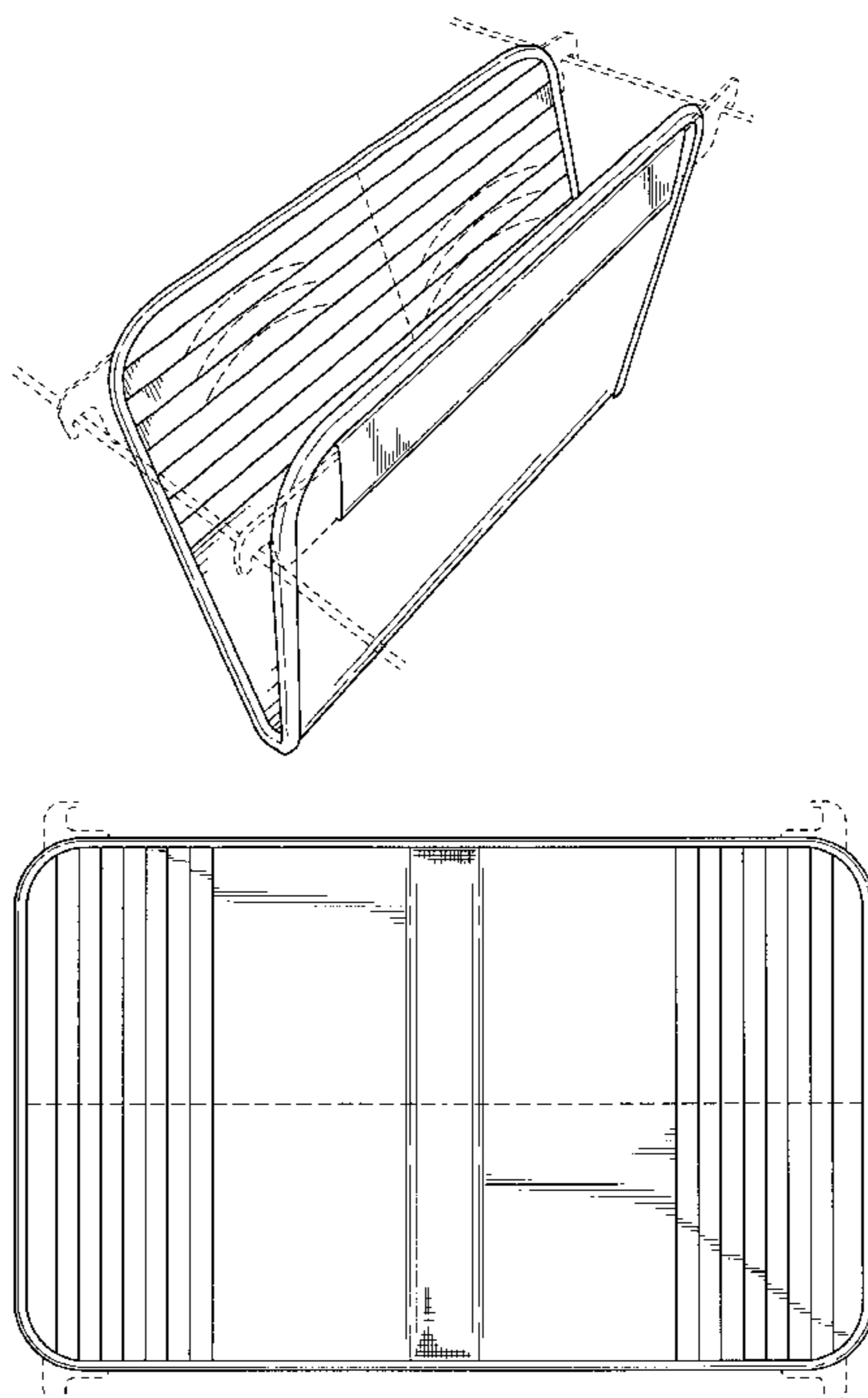
FIG. 5 is a top plan view of the invention illustrated in FIG. 1;

FIG. 6 is a bottom plan view of the invention illustrated in FIG. 1; and,

FIG. 7 is a rear elevational view of the invention illustrated in FIG. 1.

The central broken line shown on the surface of the file in FIGS. 1 and 4, are understood to represent stitching.

1 Claim, 3 Drawing Sheets



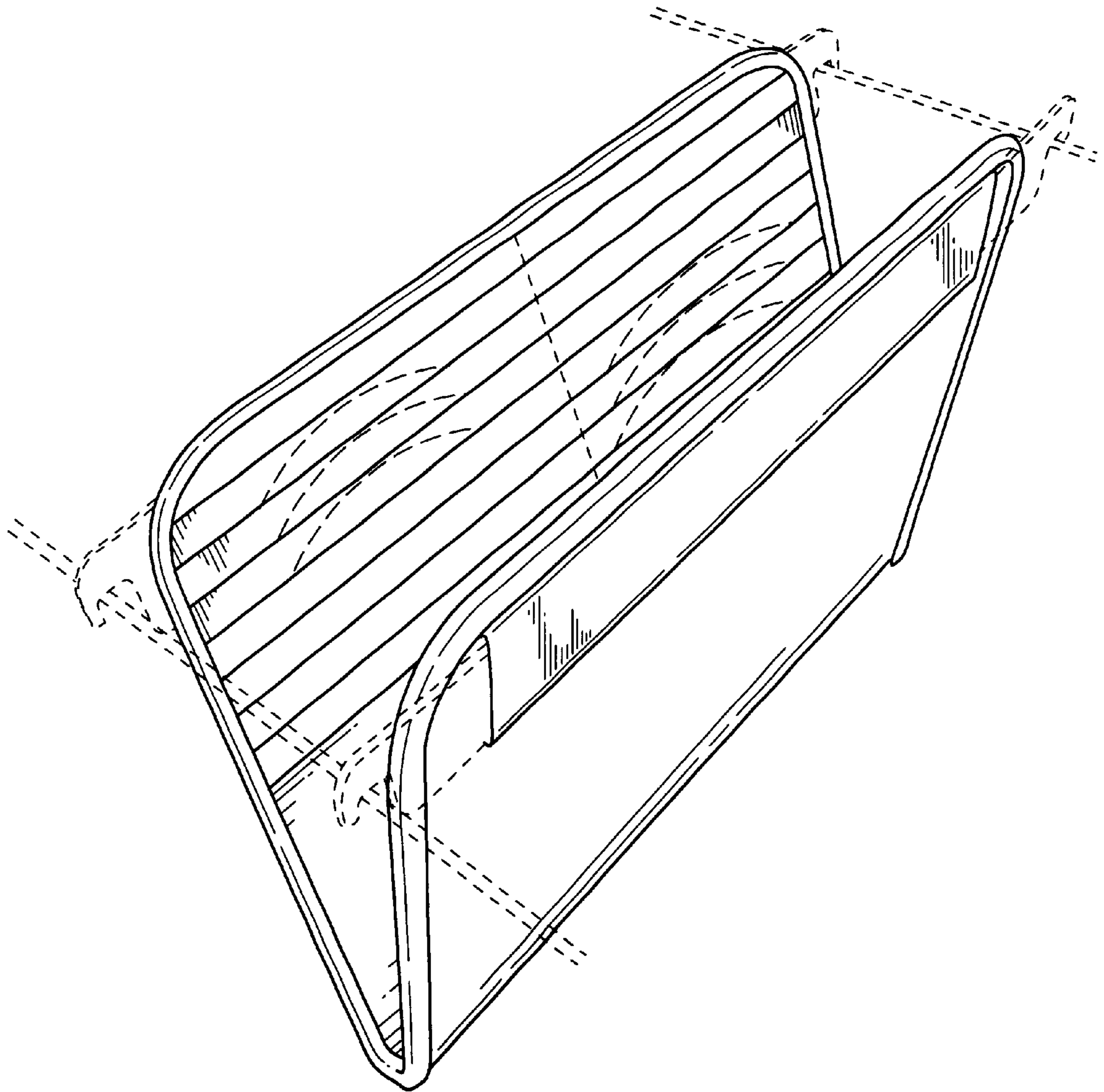
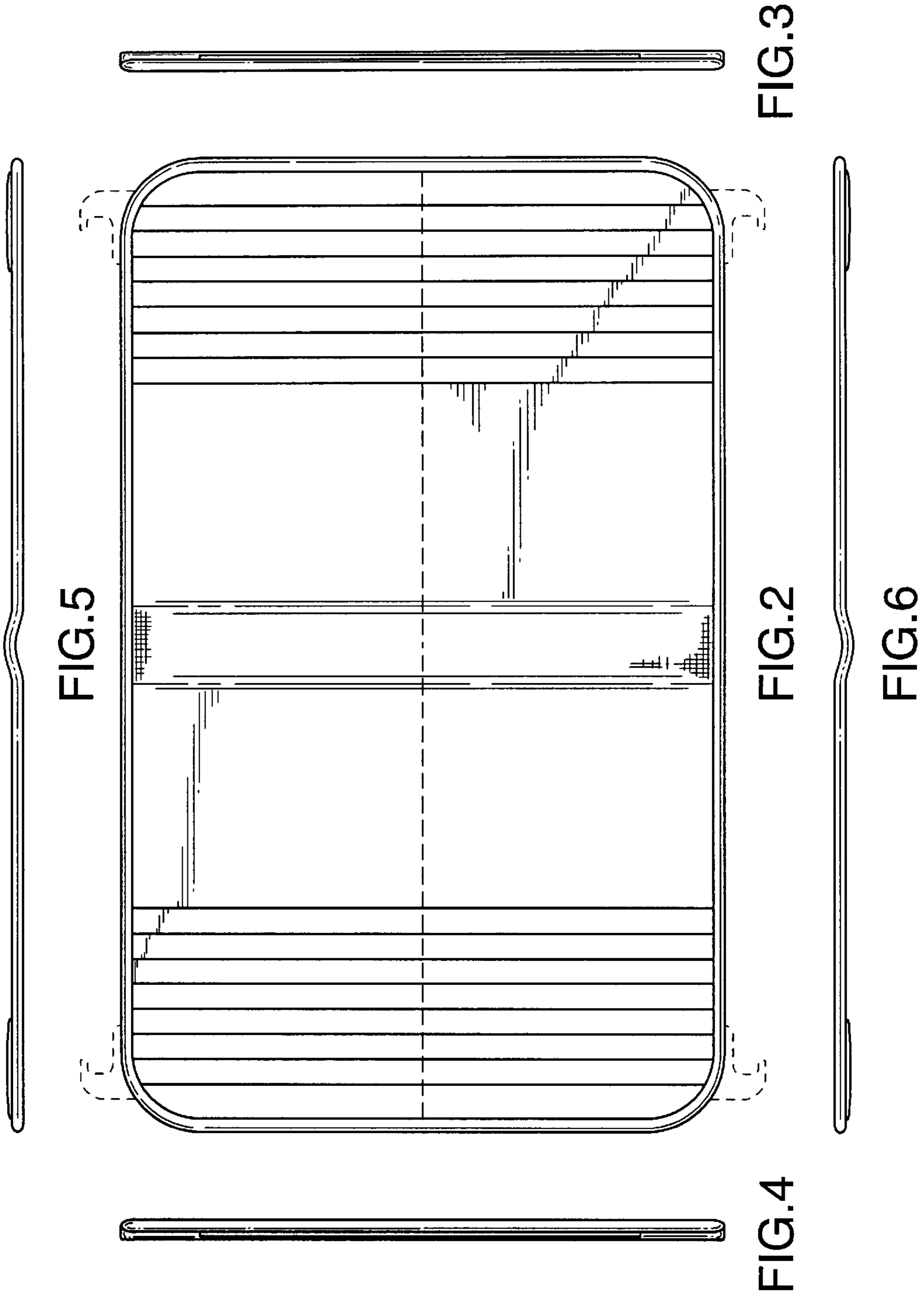


FIG. 1



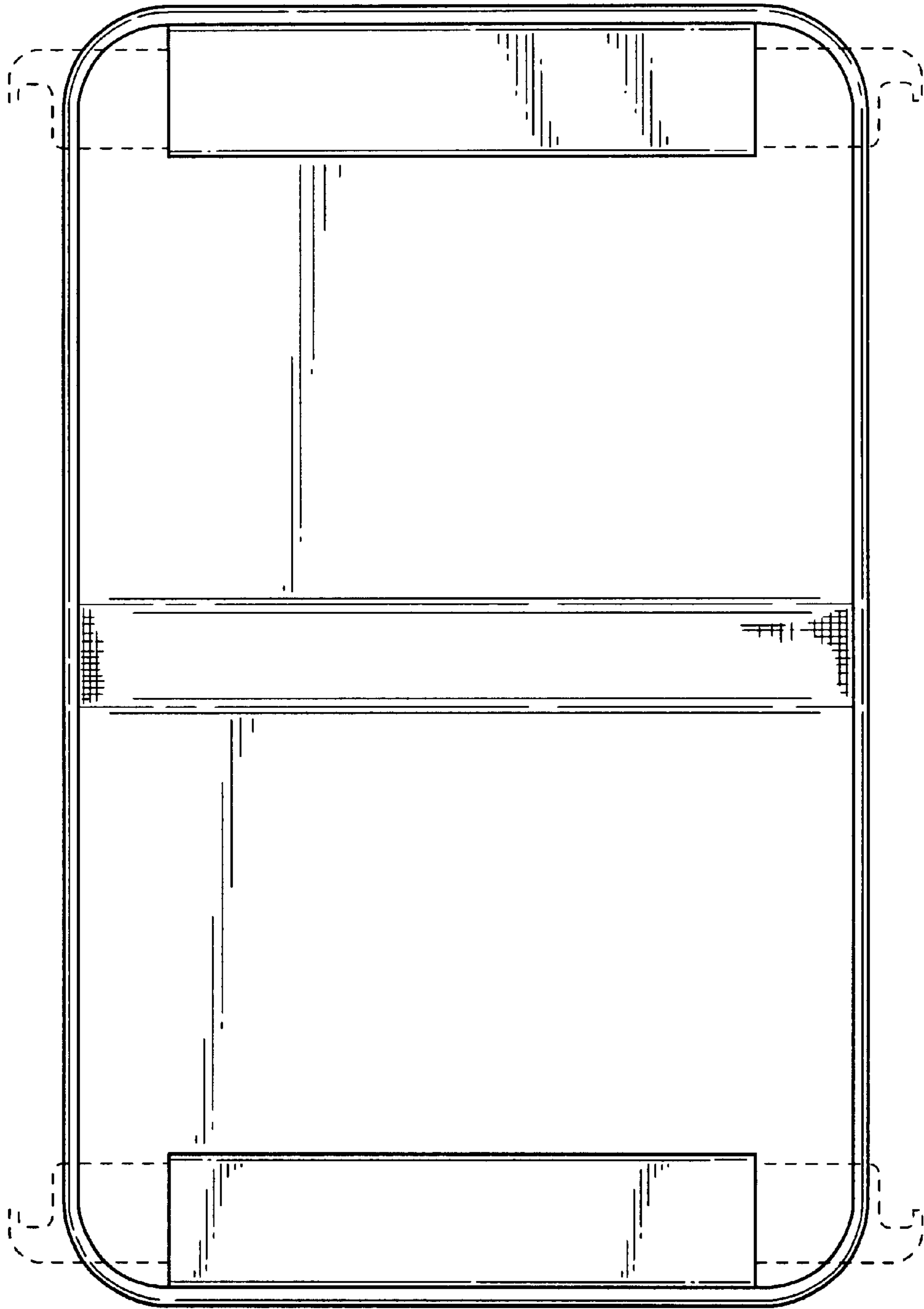


FIG.7