



US00D485464S

(12) **United States Design Patent**
Clucas

(10) **Patent No.:** **US D485,464 S**

(45) **Date of Patent:** **** Jan. 20, 2004**

(54) **WIRE SHELF WITH TOWEL BAR**

D327,458 S * 6/1992 Martinell D6/566 X
D439,090 S * 3/2001 Wu D6/548

(75) Inventor: **Michael P. Clucas**, Boothwyn, PA (US)

* cited by examiner

(73) Assignee: **Zenith Products Corp.**, New Castle, DE (US)

Primary Examiner—Brian N. Vinson
(74) *Attorney, Agent, or Firm*—Edgar A. Zarins; Lloyd D. Doigan

(**) Term: **14 Years**

(21) Appl. No.: **29/164,788**

(57) **CLAIM**

(22) Filed: **Jul. 31, 2002**

The ornamental design for a wire shelf with towel bar, as shown and described.

(51) **LOC (7) Cl.** **06-04**

DESCRIPTION

(52) **U.S. Cl.** **D6/566; D6/549**

(58) **Field of Search** D6/546–549, 553, D6/566, 574; 211/13.1, 32, 35, 87.01, 88.04, 105.1, 105.2, 106, 123, 134; 248/251, 302

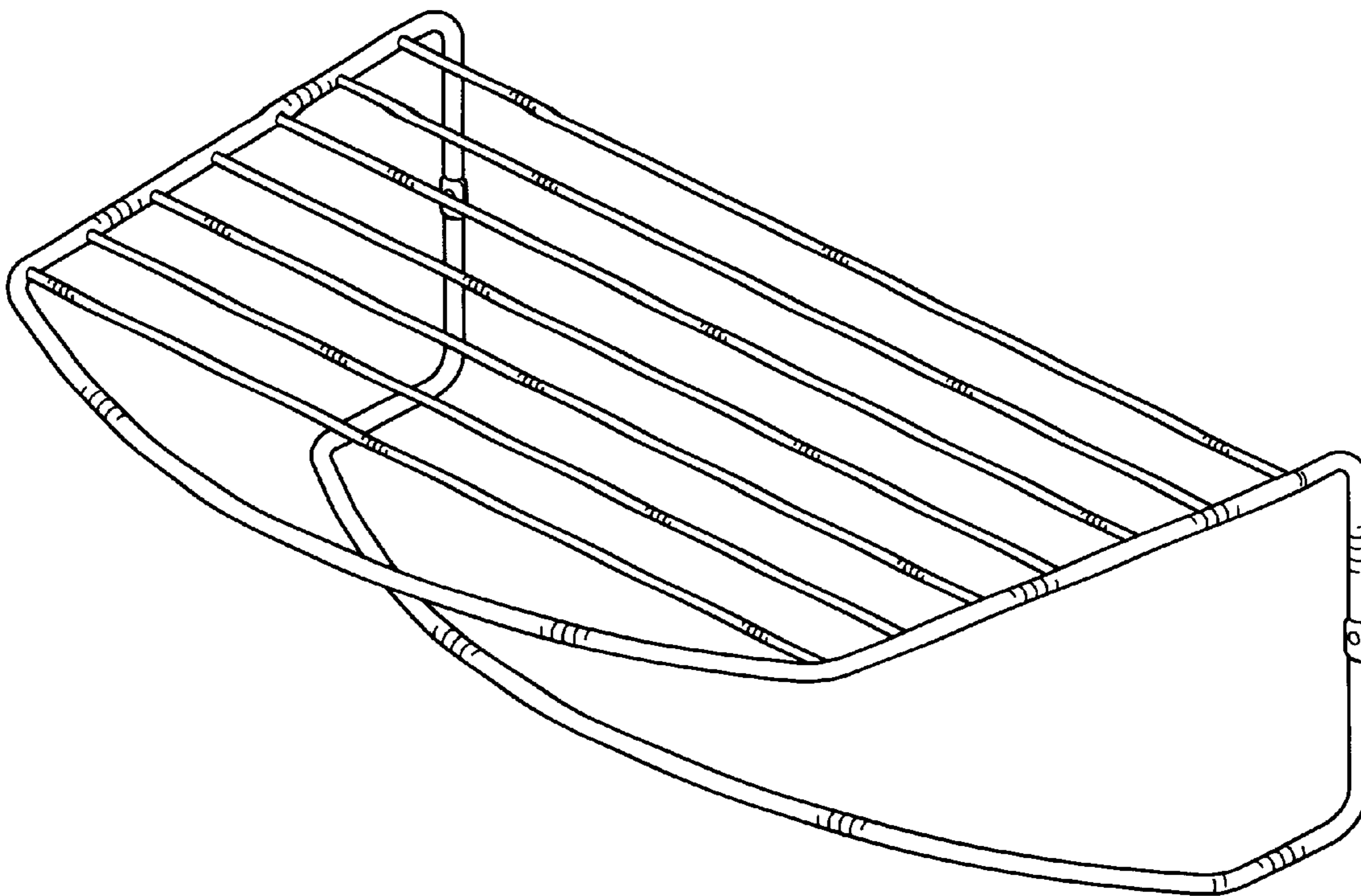
FIG. 1 is a perspective view of a wire shelf with towel bar showing my new design;
FIG. 2 is a top plan view thereof;
FIG. 3 is a left side view thereof, the opposite side being a mirror image of the side shown; and,
FIG. 4 is a front elevational view thereof.

(56) **References Cited**

U.S. PATENT DOCUMENTS

126,838 A * 5/1872 Ryder D6/548
D303,470 S * 9/1989 Razumov D6/546

1 Claim, 2 Drawing Sheets



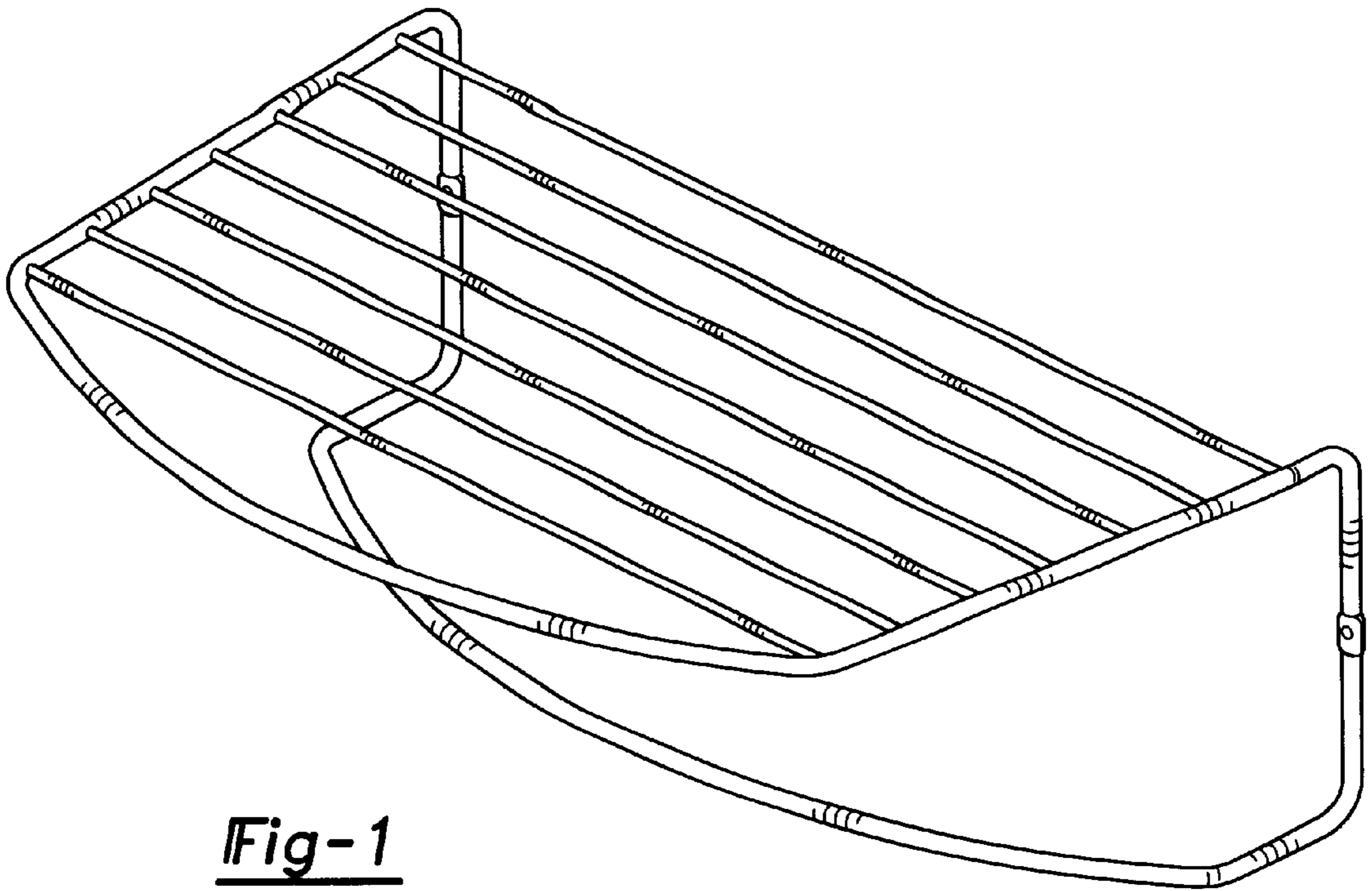


Fig-1

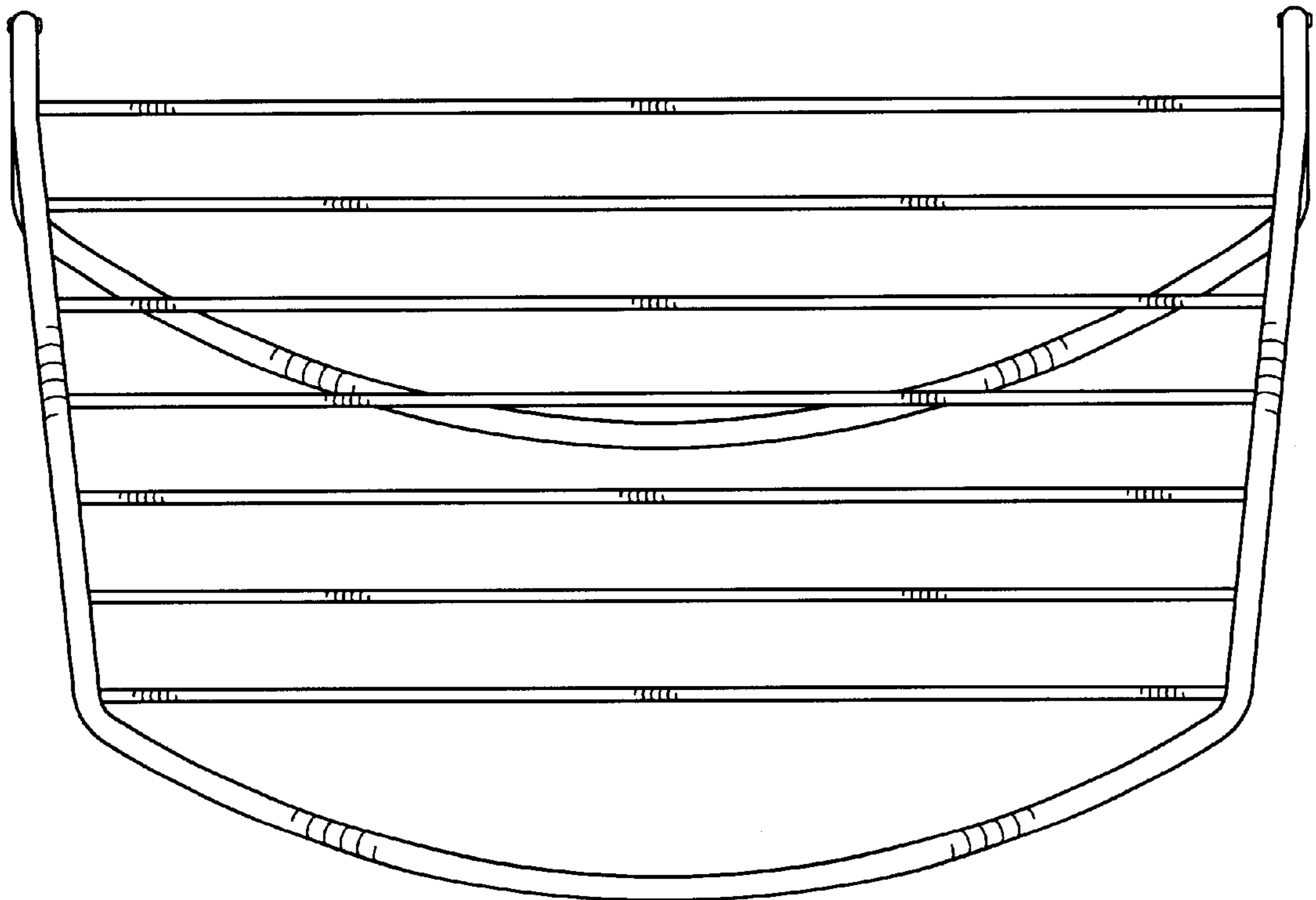


Fig-2

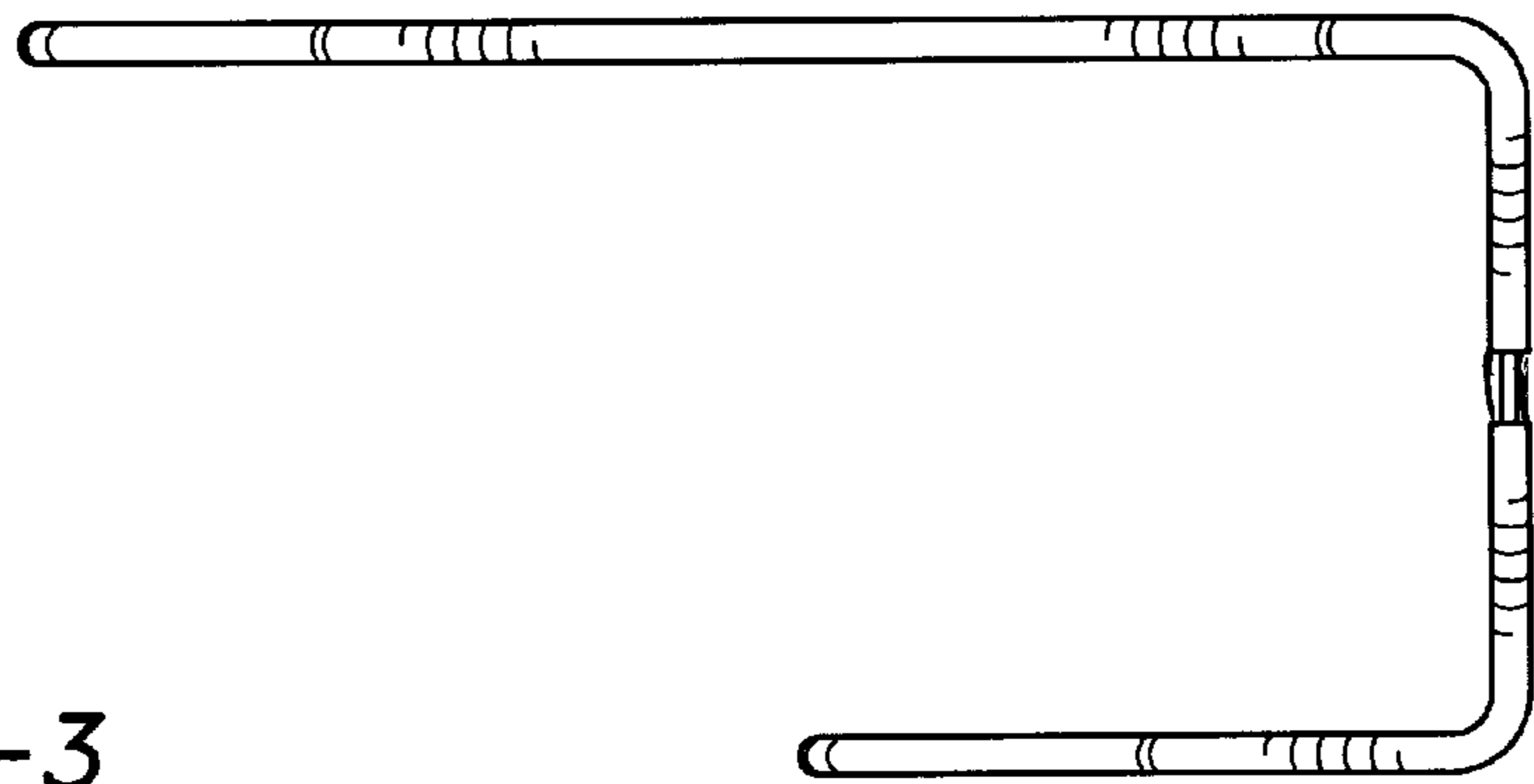


Fig-3

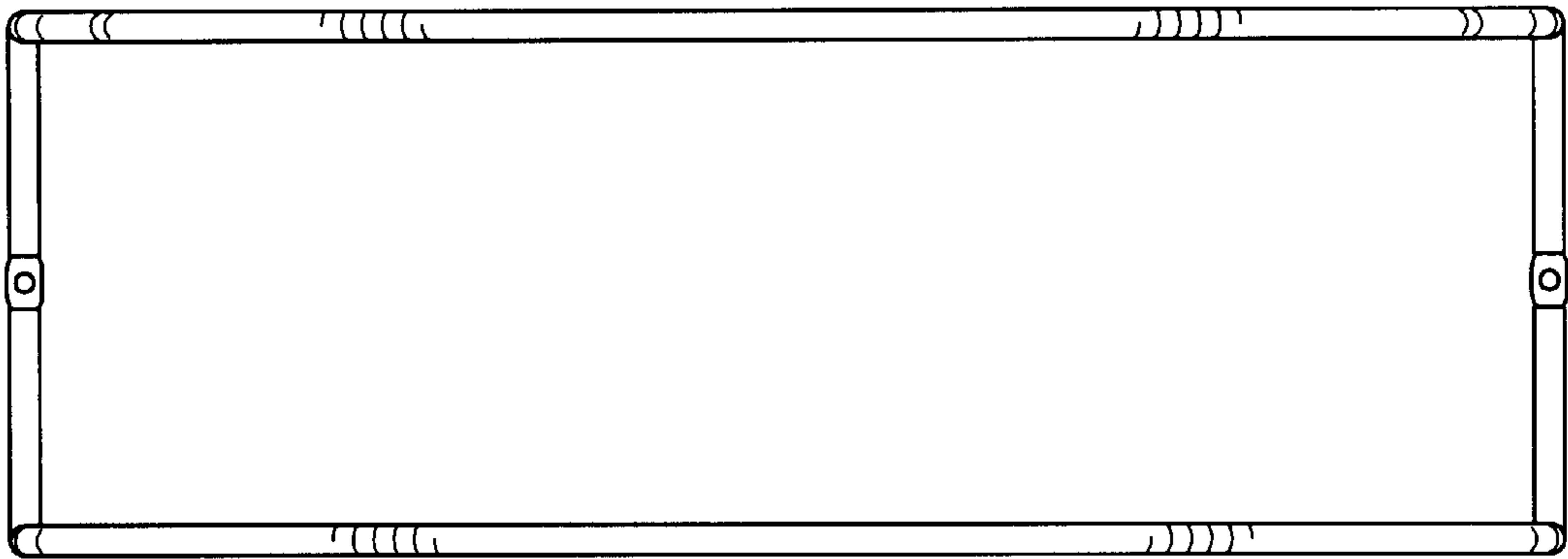


Fig-4