



US00D485463S

(12) **United States Design Patent**  
**Rossi**

(10) **Patent No.:** **US D485,463 S**

(45) **Date of Patent:** **\*\* Jan. 20, 2004**

(54) **BOTTLE CAP SHAPED CABINET**

(75) Inventor: **David Rossi**, Newton, NJ (US)

(73) Assignee: **Sportcraft, Ltd.**, Mt. Olive, NJ (US)

(\*\*) Term: **14 Years**

(21) Appl. No.: **29/164,509**

(22) Filed: **Jul. 24, 2002**

(51) **LOC (7) Cl.** ..... **06-04**

(52) **U.S. Cl.** ..... **D6/561**

(58) **Field of Search** ..... D6/553, 559, 561;  
312/242, 245

(56) **References Cited**

**U.S. PATENT DOCUMENTS**

D250,377 S	*	11/1978	Dooley et al.	.....	D6/559
D333,222 S	*	2/1993	Ewing	.....	D6/561
D346,695 S	*	5/1994	Williams	.....	D6/561 X
D395,370 S	*	6/1998	Gilmore	.....	D6/561 X
D401,435 S	*	11/1998	Memmer	.....	D6/553 X

\* cited by examiner

*Primary Examiner*—Brian N. Vinson

(74) *Attorney, Agent, or Firm*—Fellers, Snider, Blankenship, Bailey & Tippens, P.C.

(57) **CLAIM**

The ornamental design for a bottle cap shaped cabinet, as shown and described.

**DESCRIPTION**

FIG. 1 is a perspective view illustrating a bottle cap shaped cabinet;

FIG. 2 is a front view thereof;

FIG. 3 is a bottom view thereof;

FIG. 4 is a right side elevational view thereof; and,

FIG. 5 is a rear view thereof.

The top view of the cabinet is a mirror image of FIG. 3. The left side elevational view is a mirror image of FIG. 4.

The broken-line disclosure in the views forms no part of the claimed design.

**1 Claim, 2 Drawing Sheets**

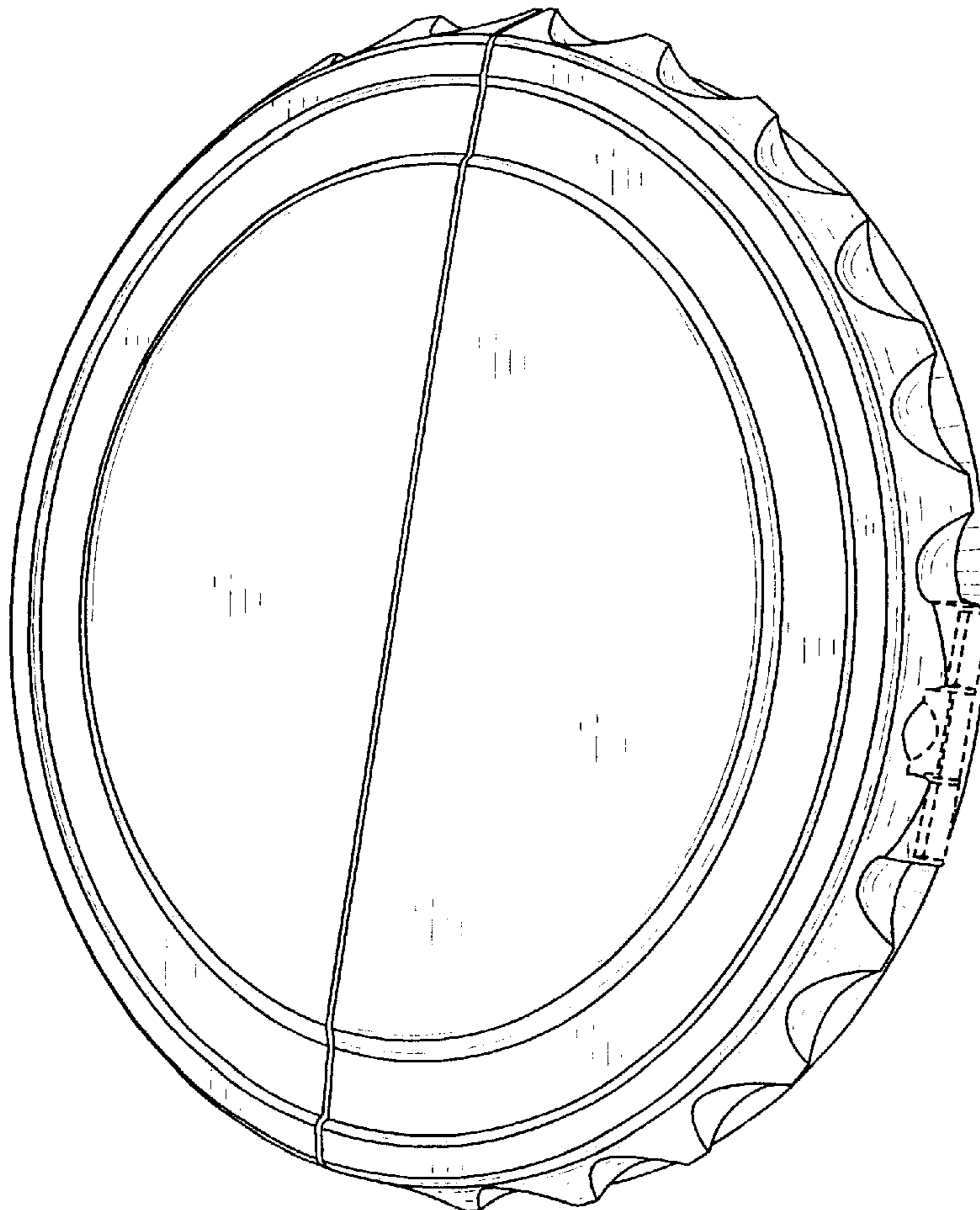


FIG. 1

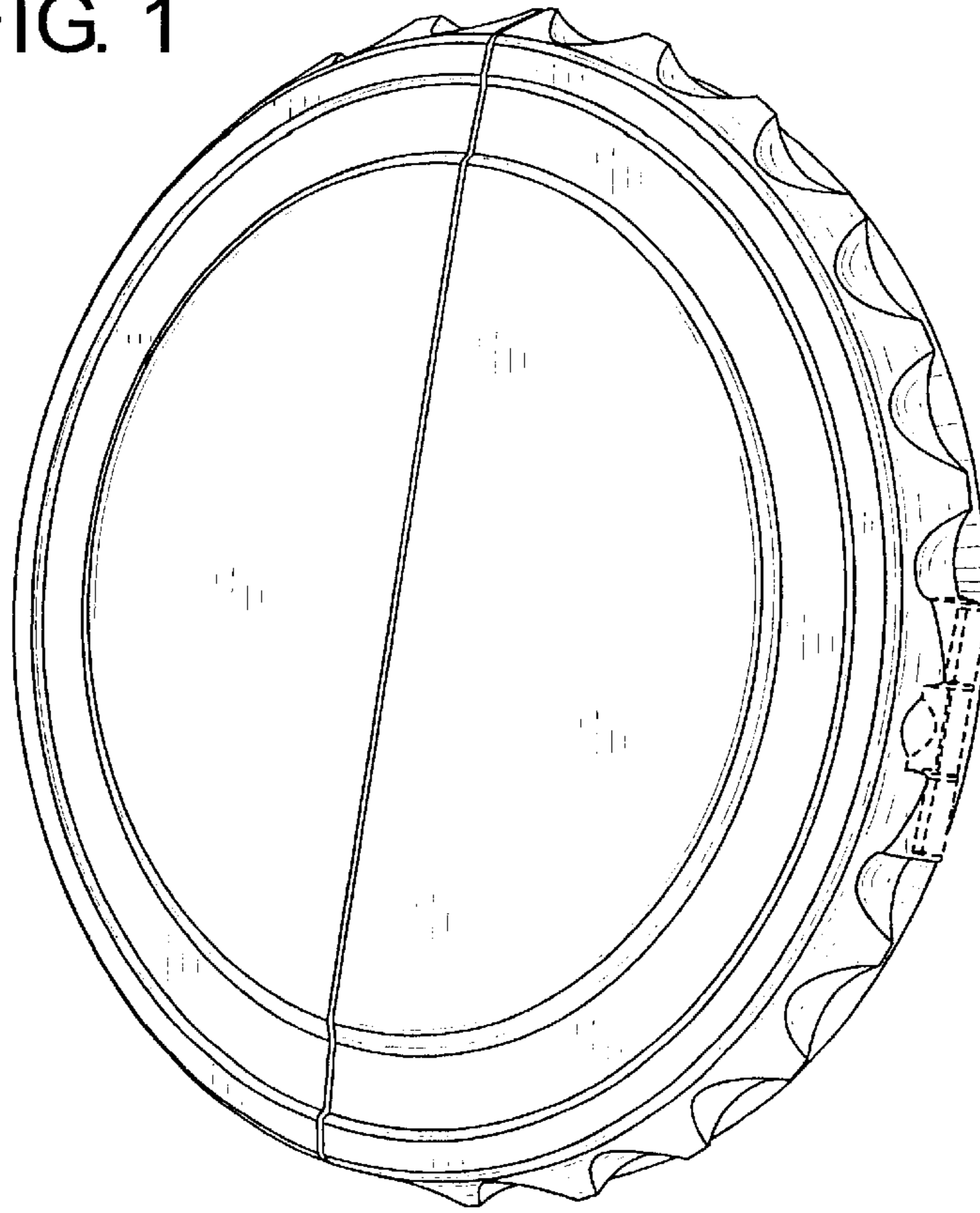


FIG. 2

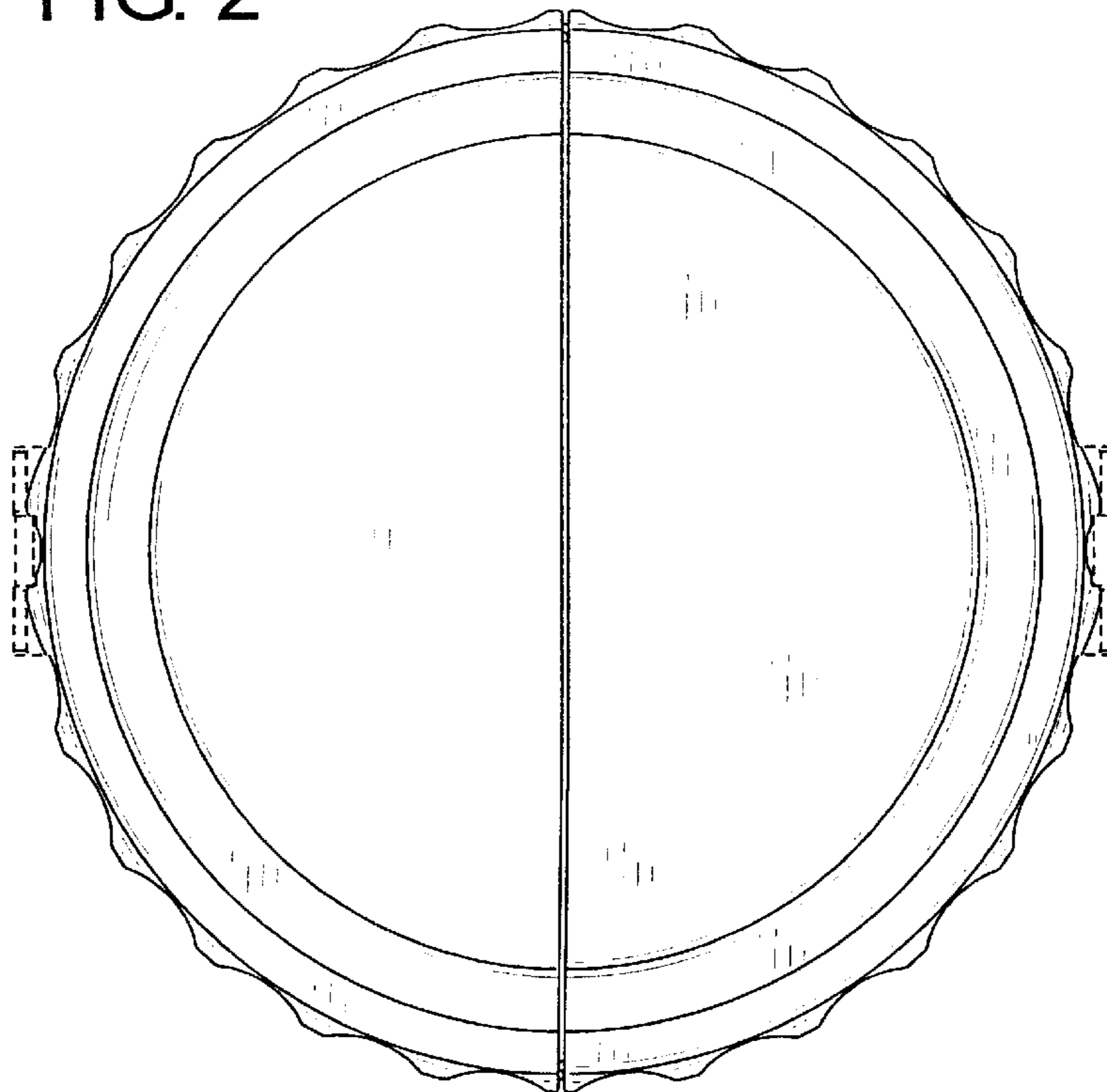


FIG. 3

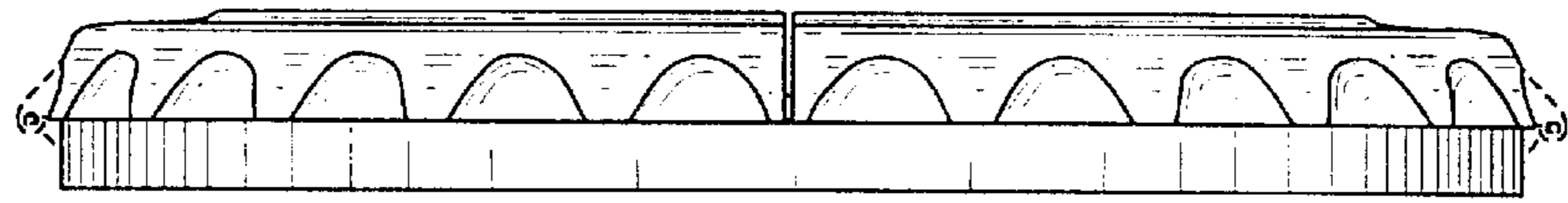


FIG. 4

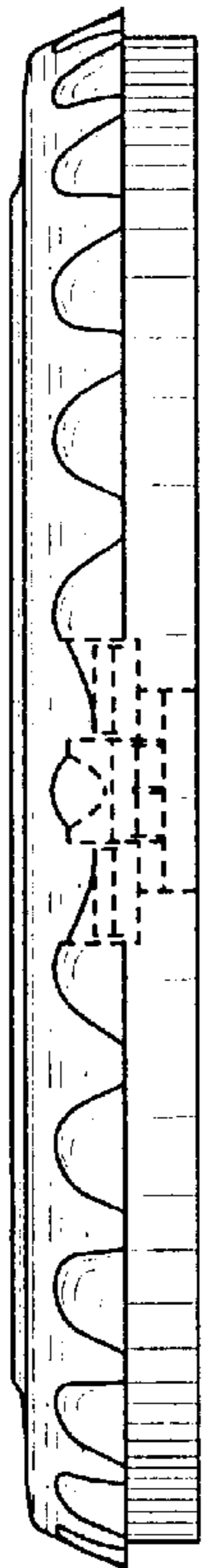


FIG. 5

