



US00D485462S

(12) **United States Design Patent**
Suero, Jr.

(10) **Patent No.:** **US D485,462 S**

(45) **Date of Patent:** **** Jan. 20, 2004**

(54) **SHOWER CADDY**

D443,162 S * 6/2001 Winter D6/525 X

(75) Inventor: **Jose Suero, Jr.**, Newark, DE (US)

* cited by examiner

(73) Assignee: **Zenith Products Corp.**, New Castle, DE (US)

Primary Examiner—Brian N. Vinson
(74) *Attorney, Agent, or Firm*—Edgar A. Zarins; Lloyd D. Doigan

(**) Term: **14 Years**

(57) **CLAIM**

(21) Appl. No.: **29/177,191**

The ornamental design for a shower caddy, as shown and described.

(22) Filed: **Mar. 4, 2003**

DESCRIPTION

(51) **LOC (7) Cl.** **23-02**

(52) **U.S. Cl.** **D6/525**

(58) **Field of Search** D6/524, 525, 553,
D6/559, 560, 566, 570, 567, 569; 211/86.01,
87.01, 88.01, 90.01, 90.04, 126.1, 126.2,
134, 153

FIG. 1 is a perspective view of a shower caddy showing my new design;

FIG. 2 is a front elevational view thereof;

FIG. 3 is a right side view thereof, the opposite side being a mirror image of the side shown;

FIG. 4 is a rear elevational view thereof;

FIG. 5 is a bottom plan view thereof; and,

FIG. 6 is a top plan view thereof.

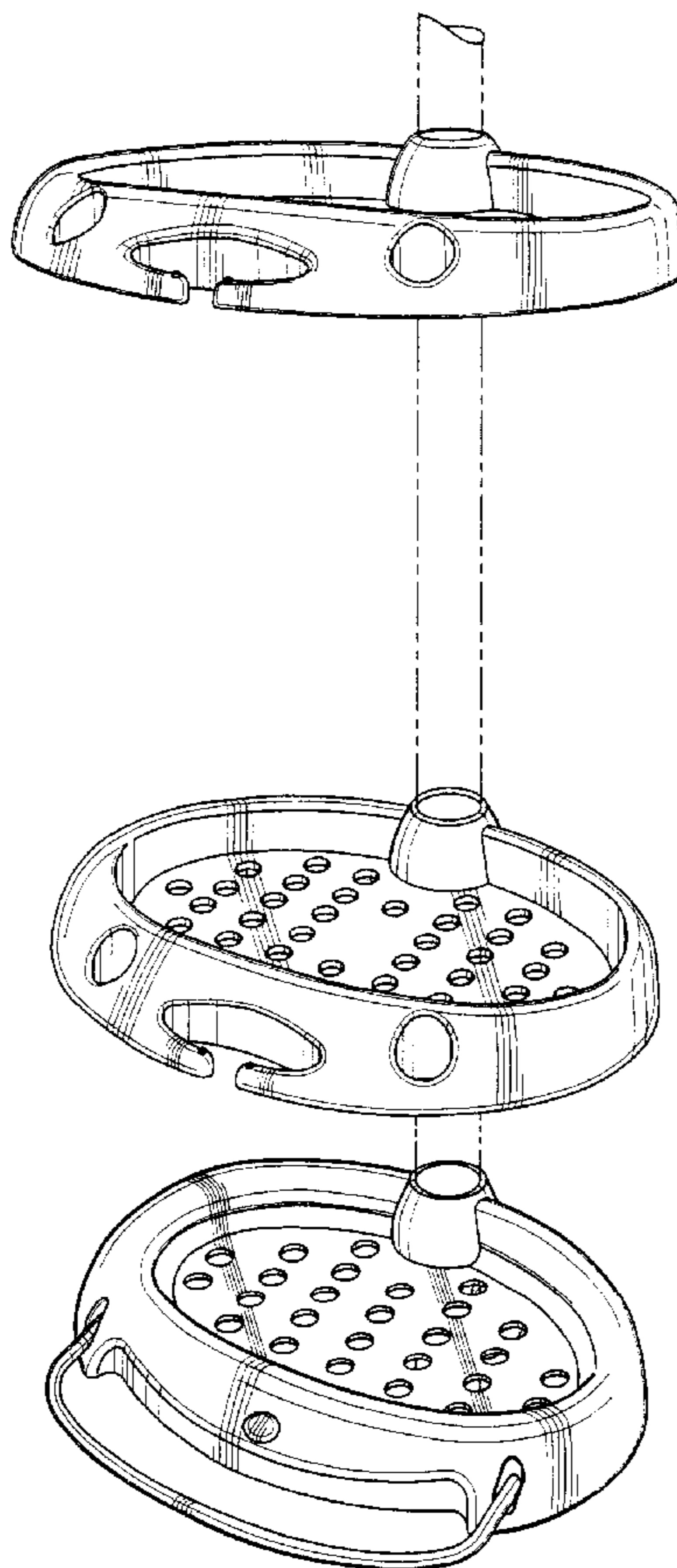
The fragmentary broken-line disclosure of the pole in the views is for illustrative purposes only and forms no part of the claimed design.

(56) **References Cited**

U.S. PATENT DOCUMENTS

- D351,751 S * 10/1994 Brightbill et al. D6/525
- D382,751 S * 8/1997 Andrus D6/525
- D421,692 S * 3/2000 Wojtowicz et al. D6/525
- D421,867 S * 3/2000 Carville et al. D6/525 X
- D429,934 S * 8/2000 Hofman D6/525

1 Claim, 5 Drawing Sheets



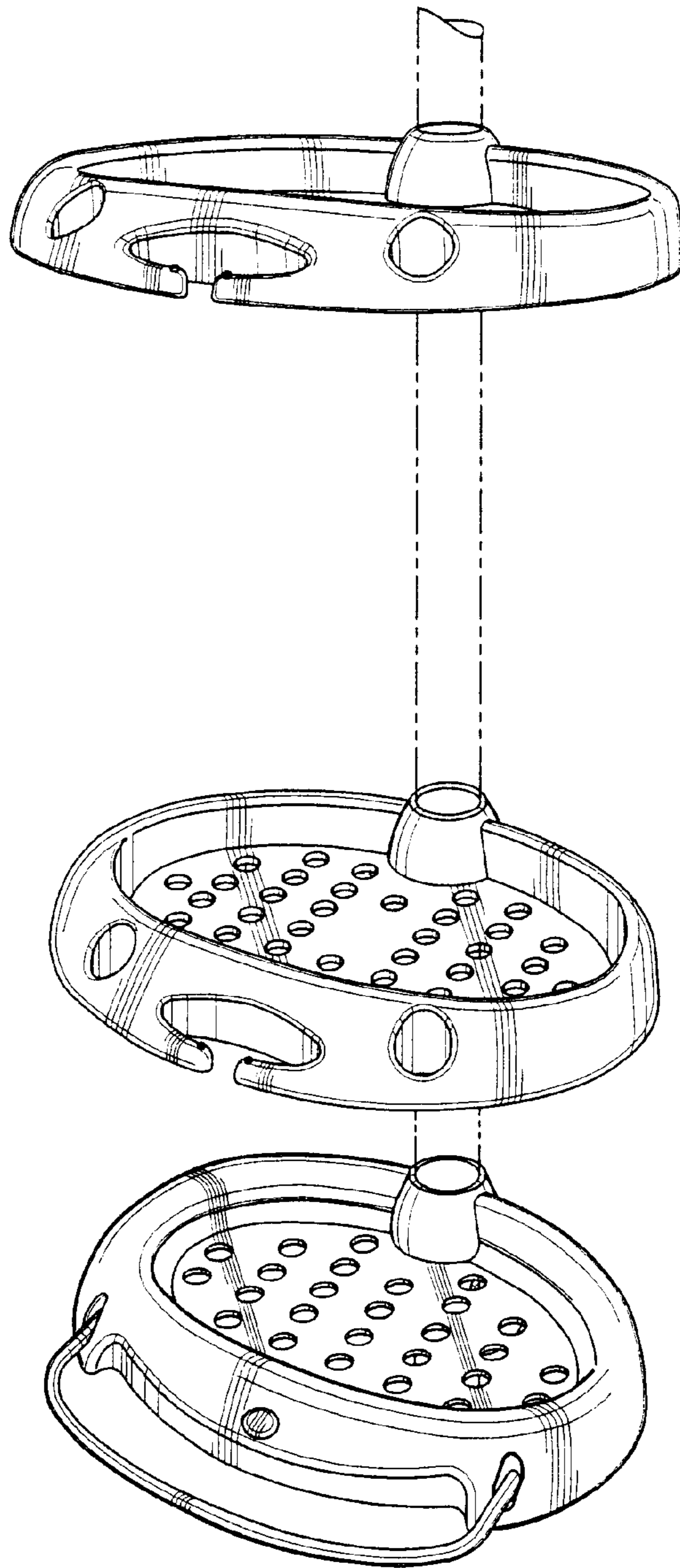


Fig-1

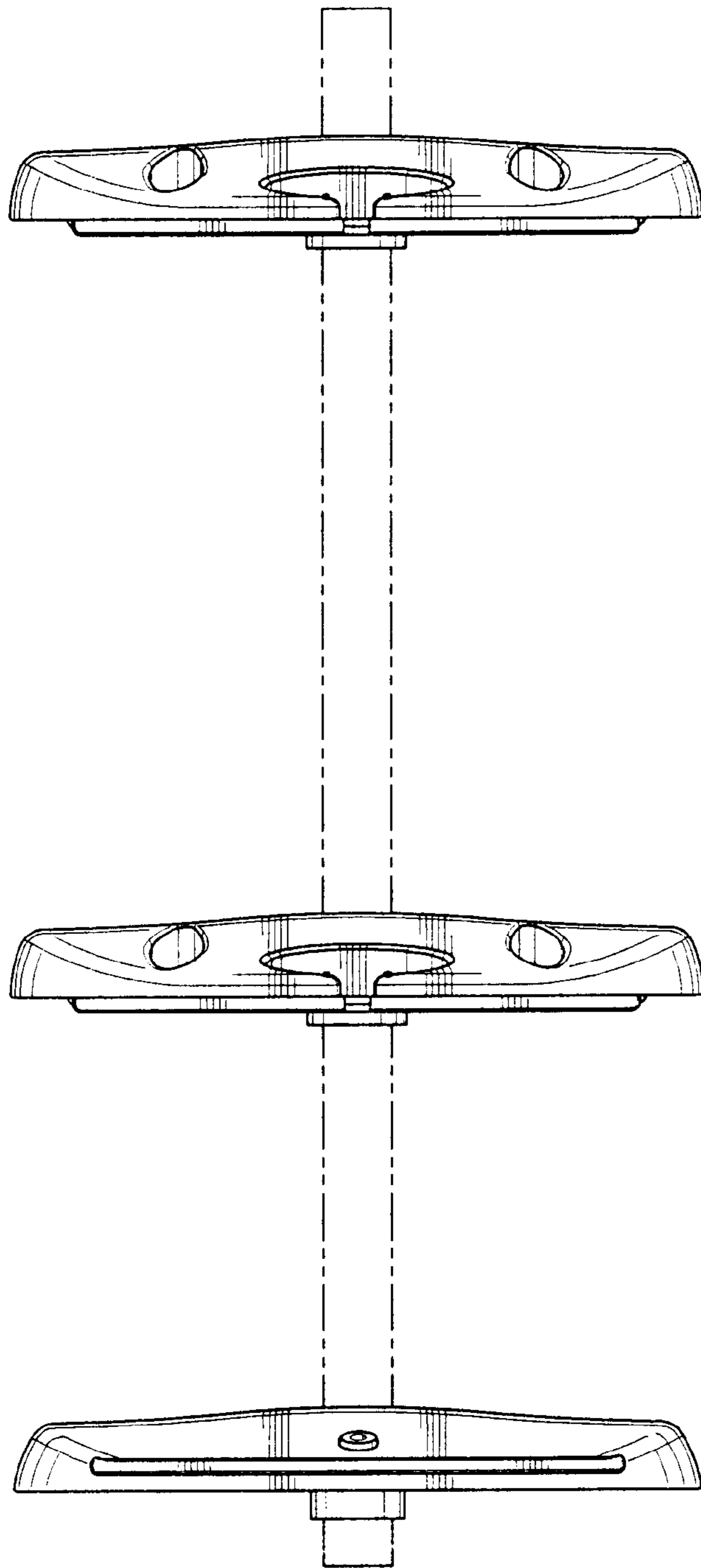


Fig-2

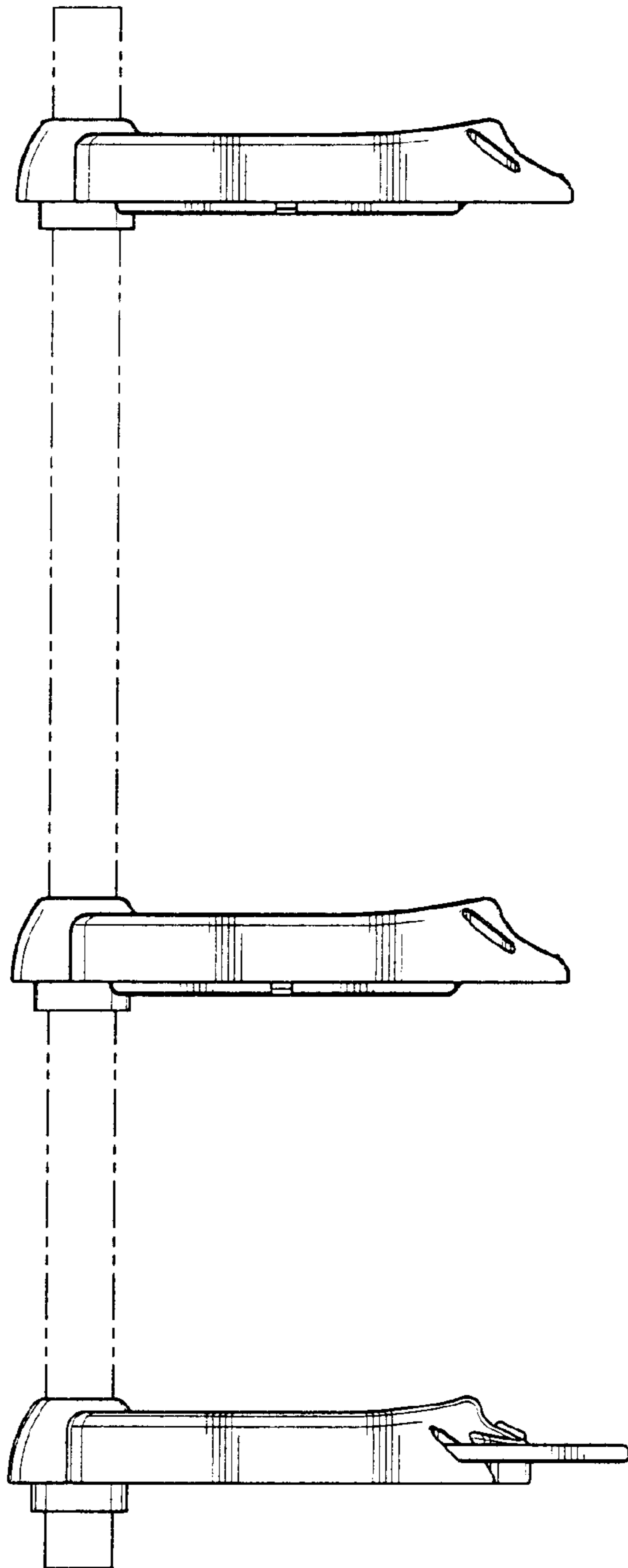


Fig-3

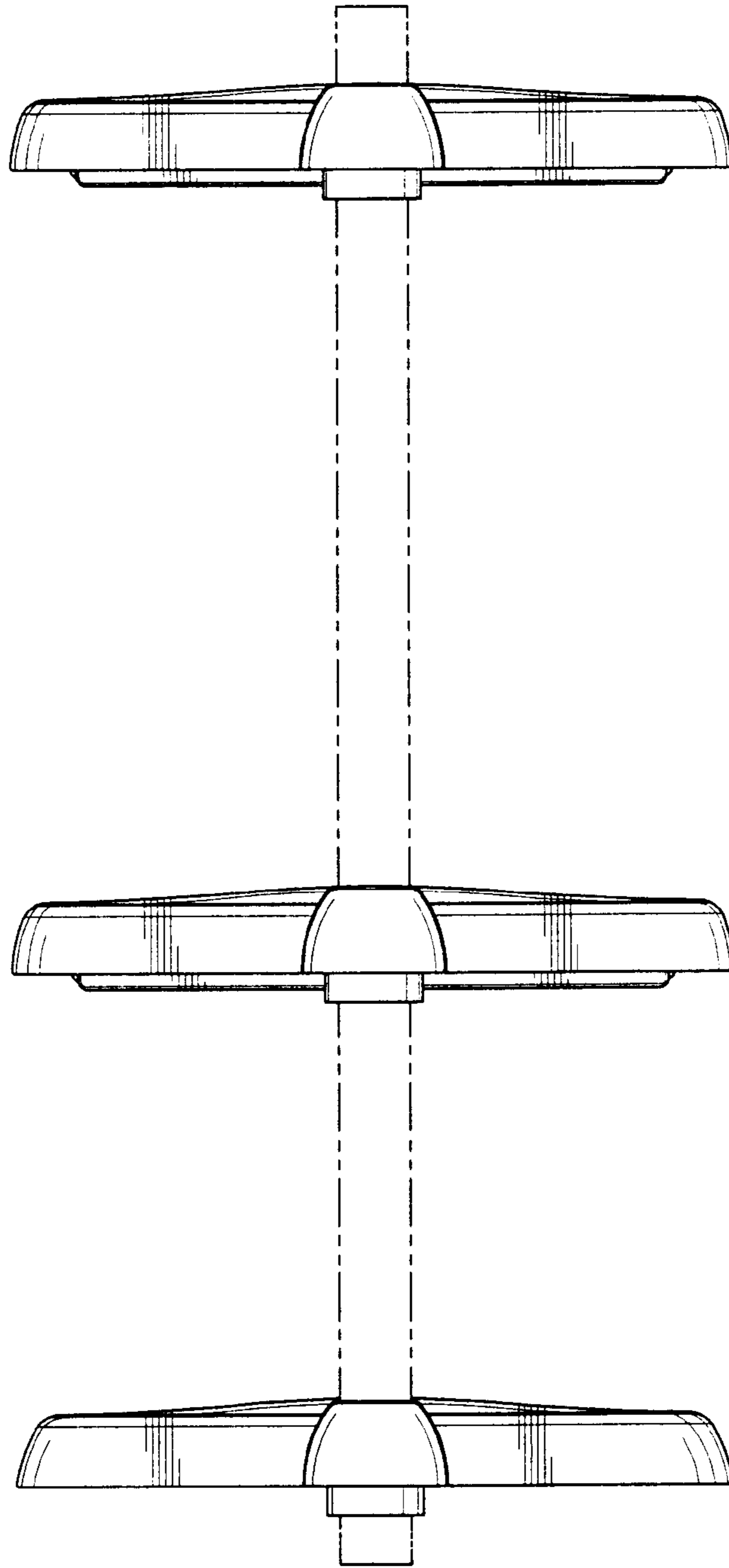


Fig-4

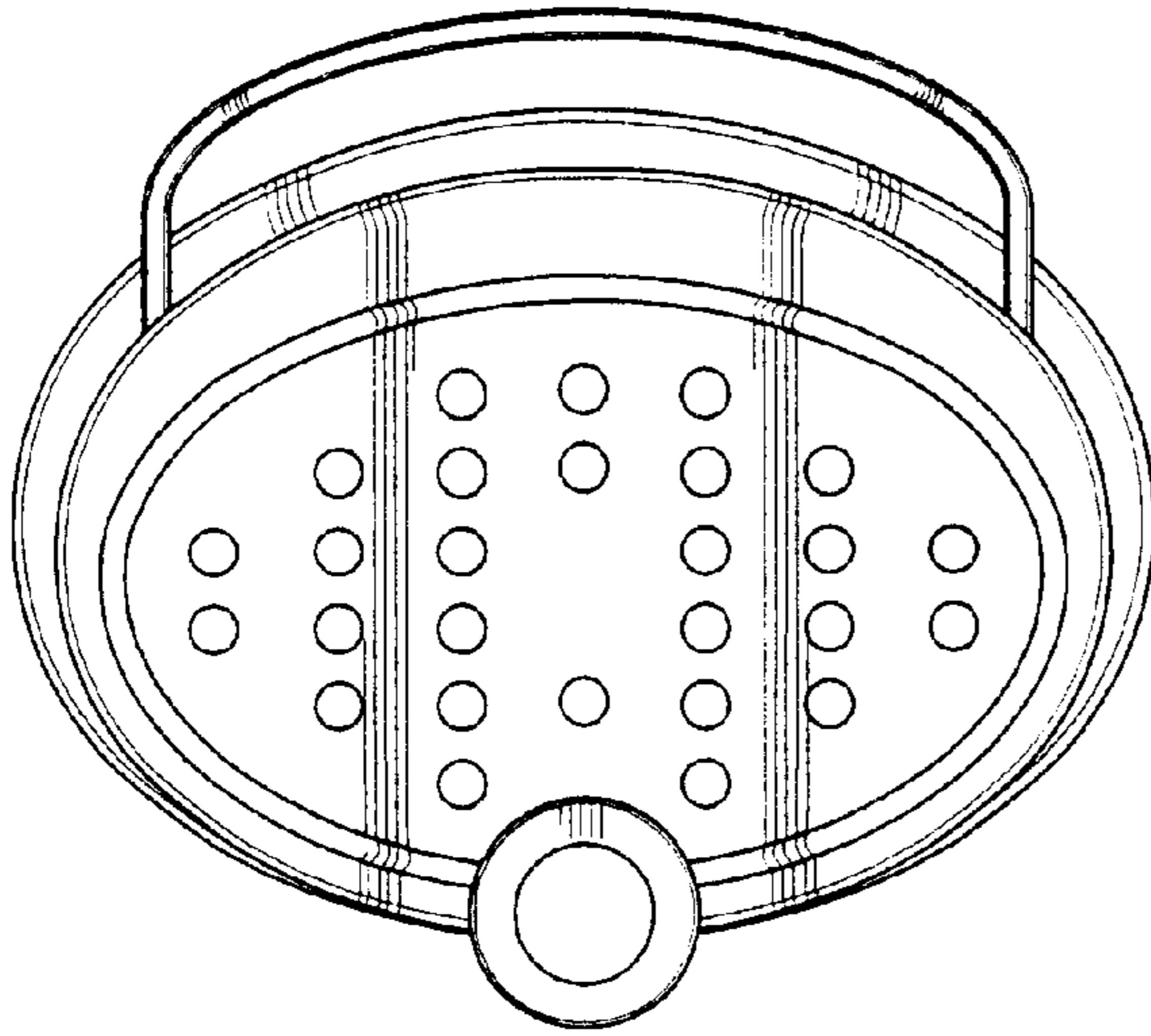


Fig-5

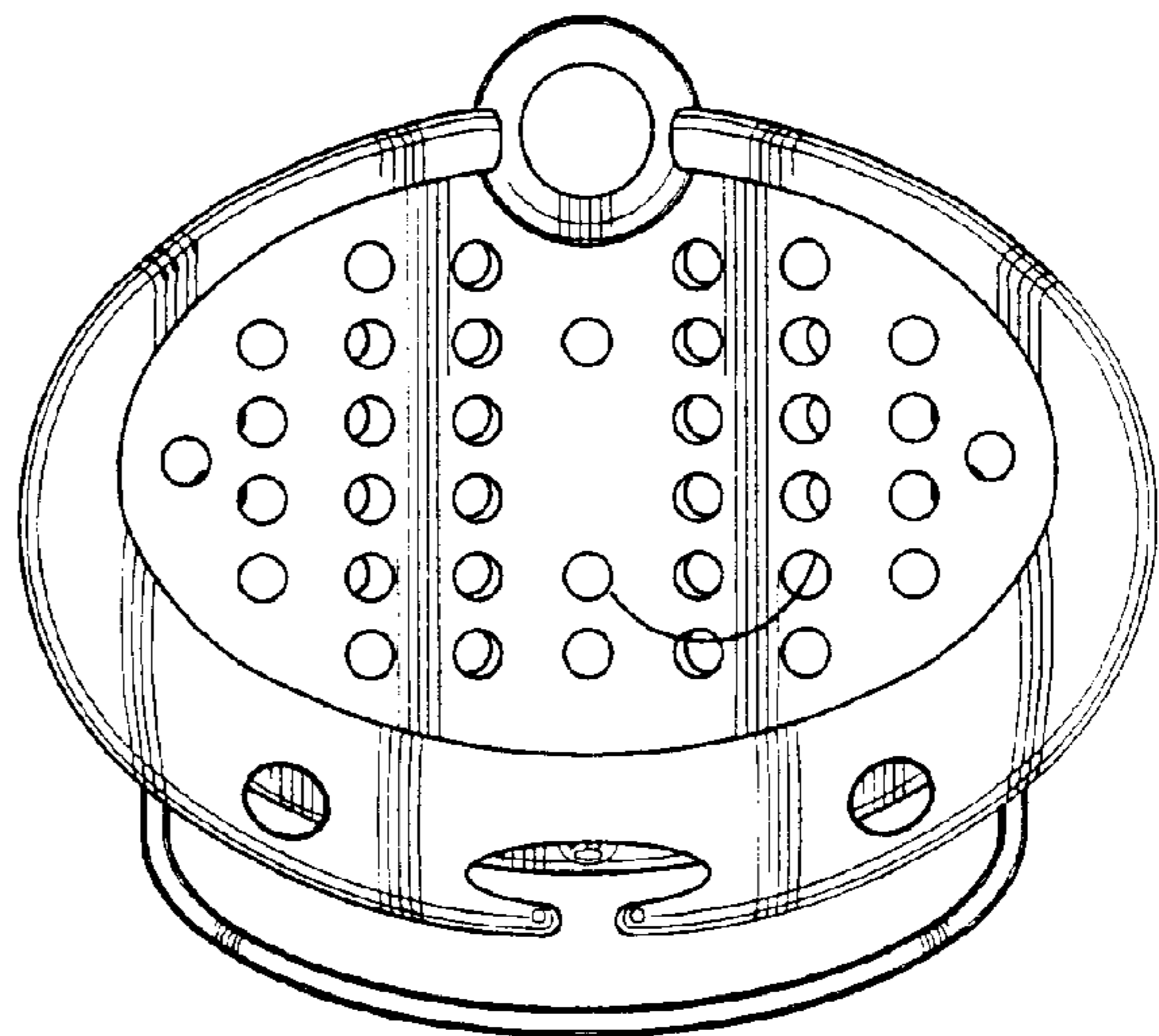


Fig-6