



US00D485461S

(12) **United States Design Patent**  
**Sams et al.**

(10) **Patent No.:** **US D485,461 S**  
(45) **Date of Patent:** **\*\* Jan. 20, 2004**

(54) **CONTAINER FOR WET WIPES**  
(75) Inventors: **Stephen Sams**, London (GB); **Bernard Sams**, London (GB); **Kenneth Young**, Berwick Upon Tweed (GB); **Heike Kammerer**, Schwalbach (DE); **Martin Zethoff**, Hessen (DE)

5,699,912 A \* 12/1997 Ishikawa et al. .... 206/494  
5,785,179 A \* 7/1998 Buczwinski et al. .... 206/494  
D414,637 S \* 10/1999 Amundson et al. .... D6/518  
D443,451 S \* 6/2001 Buck et al. .... D6/518  
D450,960 S \* 11/2001 Boyea et al. .... D6/515  
D454,015 S \* 3/2002 Okin et al. .... D6/518  
D459,124 S \* 6/2002 Le et al. .... D6/518

(73) Assignee: **The Procter & Gamble Company**, Cincinnati, OH (US)

\* cited by examiner

(\*\*) Term: **14 Years**

*Primary Examiner*—Brian N. Vinson  
(74) *Attorney, Agent, or Firm*—Ian S. Robinson; Ken K. Patel; Steven W. Miller

(21) Appl. No.: **29/166,795**

(57) **CLAIM**

(22) Filed: **Sep. 4, 2002**

The ornamental design for a container for wet wipes, as shown and described.

(30) **Foreign Application Priority Data**

**DESCRIPTION**

Mar. 4, 2002 (GB) ..... 3001914

(51) **LOC (7) Cl.** ..... **20-02**

(52) **U.S. Cl.** ..... **D6/515**

(58) **Field of Search** ..... D6/515, 518; D9/516, D9/549, 423; D3/273, 294, 318; 206/389, 494; 221/33, 45, 63, 282, 284

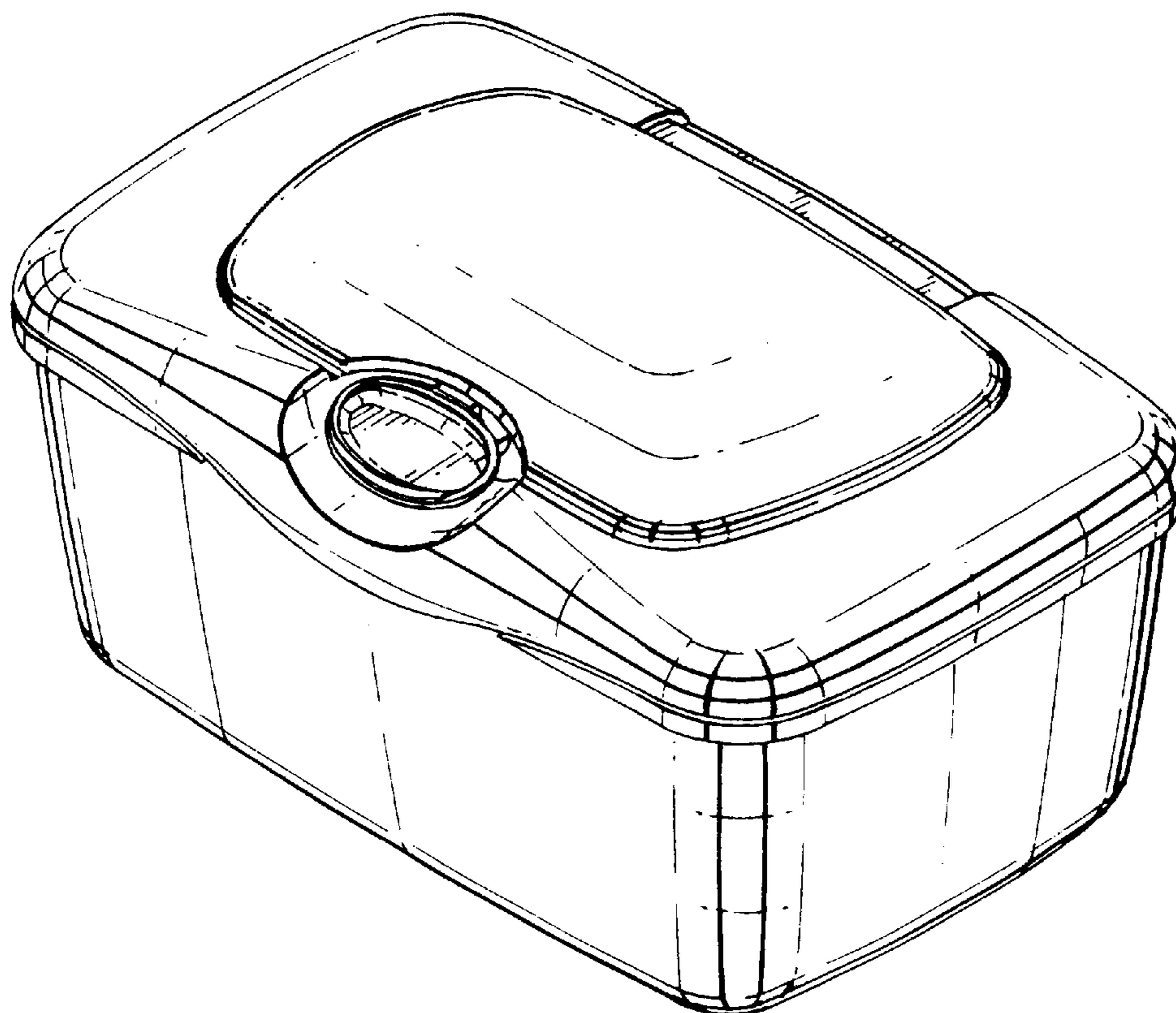
FIG. 1. is a perspective view from front, above and right end; FIG. 2. is a perspective view from front, above and left end in an alternative condition; FIG. 3. is a front plan view; FIG. 4. is a back plan view; FIG. 5. is a right side plan view; FIG. 6. is a left side plan view; FIG. 7. is a top view; and, FIG. 8. is a bottom view.

(56) **References Cited**

**U.S. PATENT DOCUMENTS**

D367,609 S \* 3/1996 Frank et al. .... D9/425

**1 Claim, 5 Drawing Sheets**



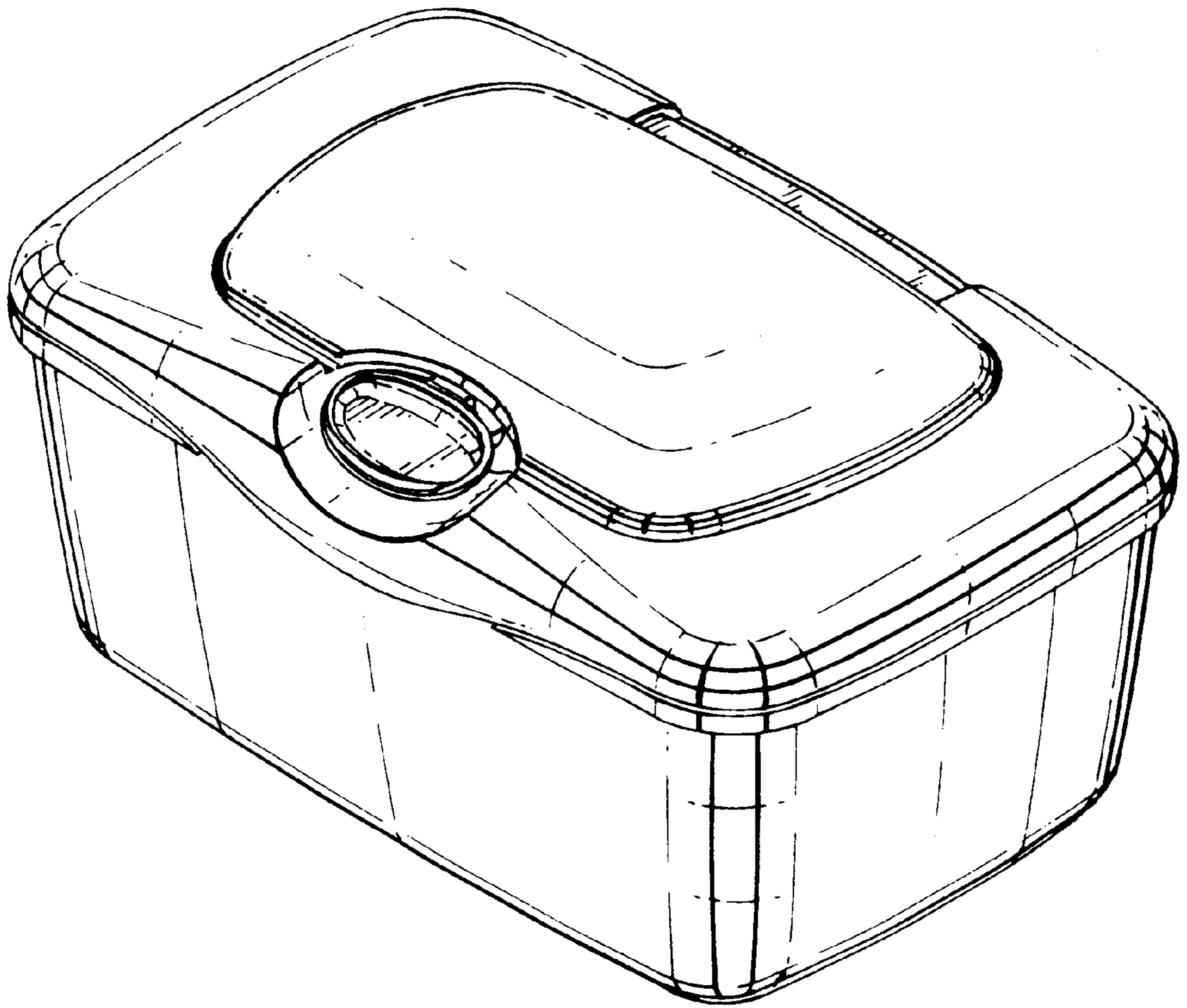


Fig. 1.

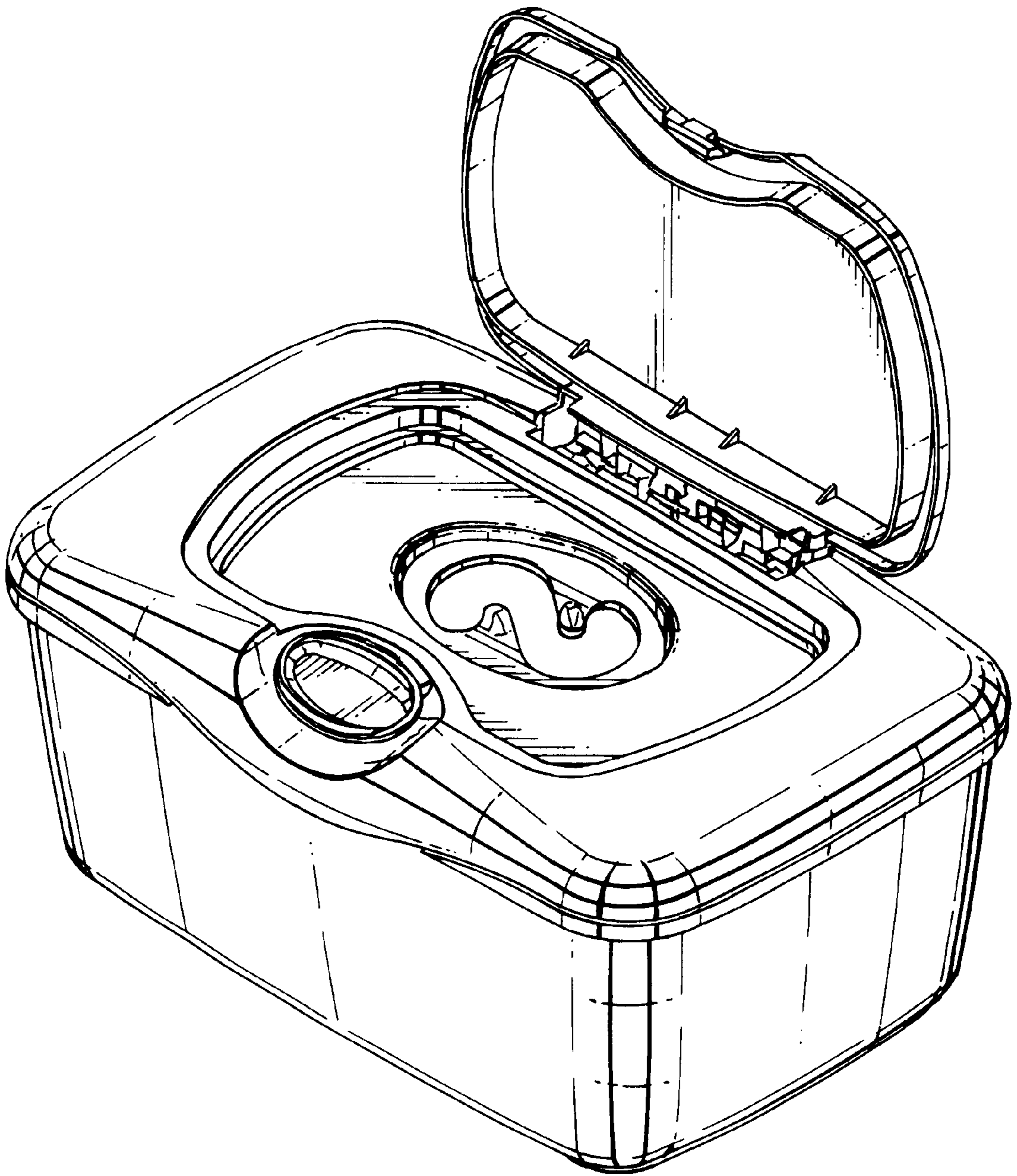


Fig.2.

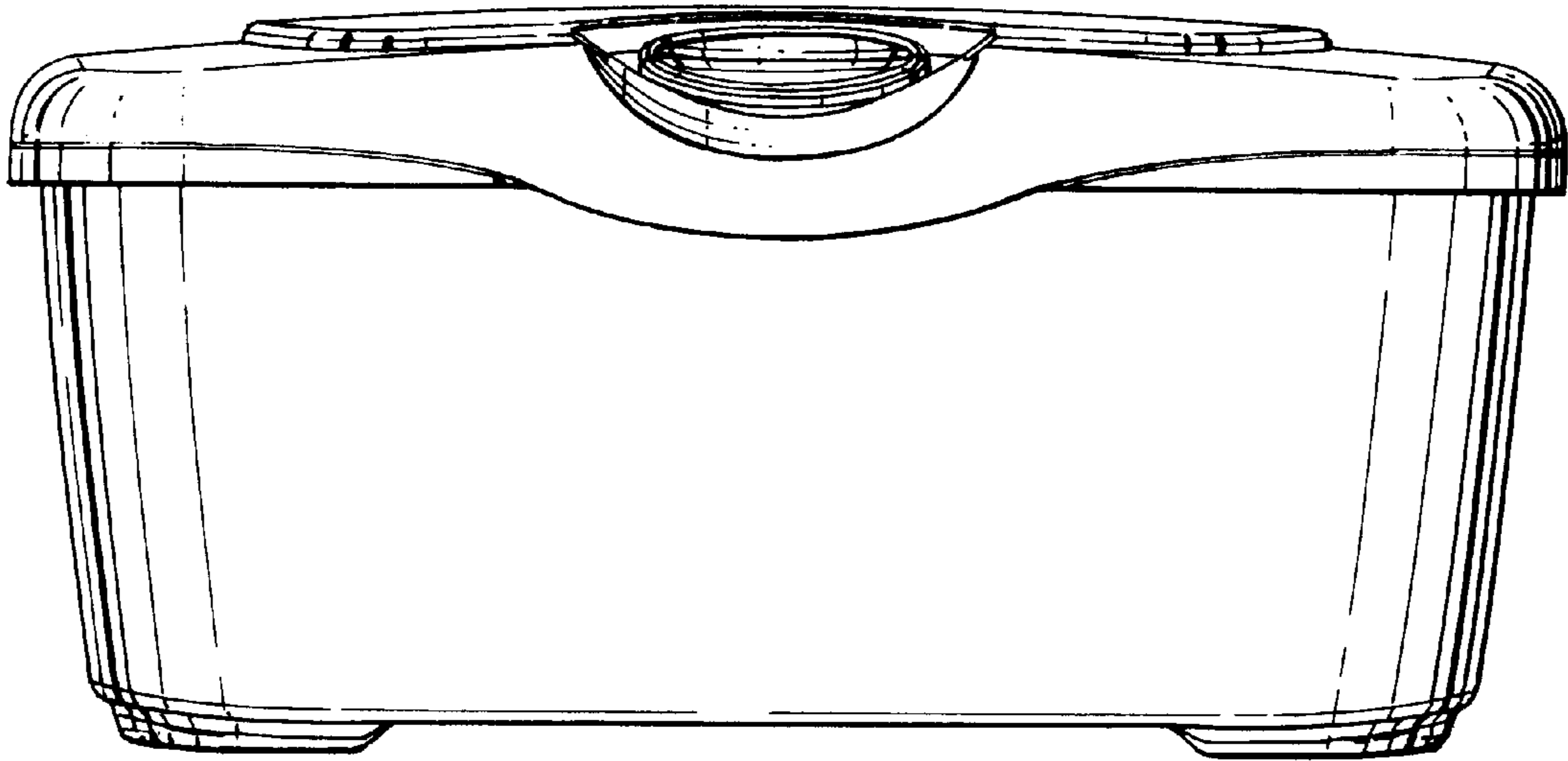


Fig.3.

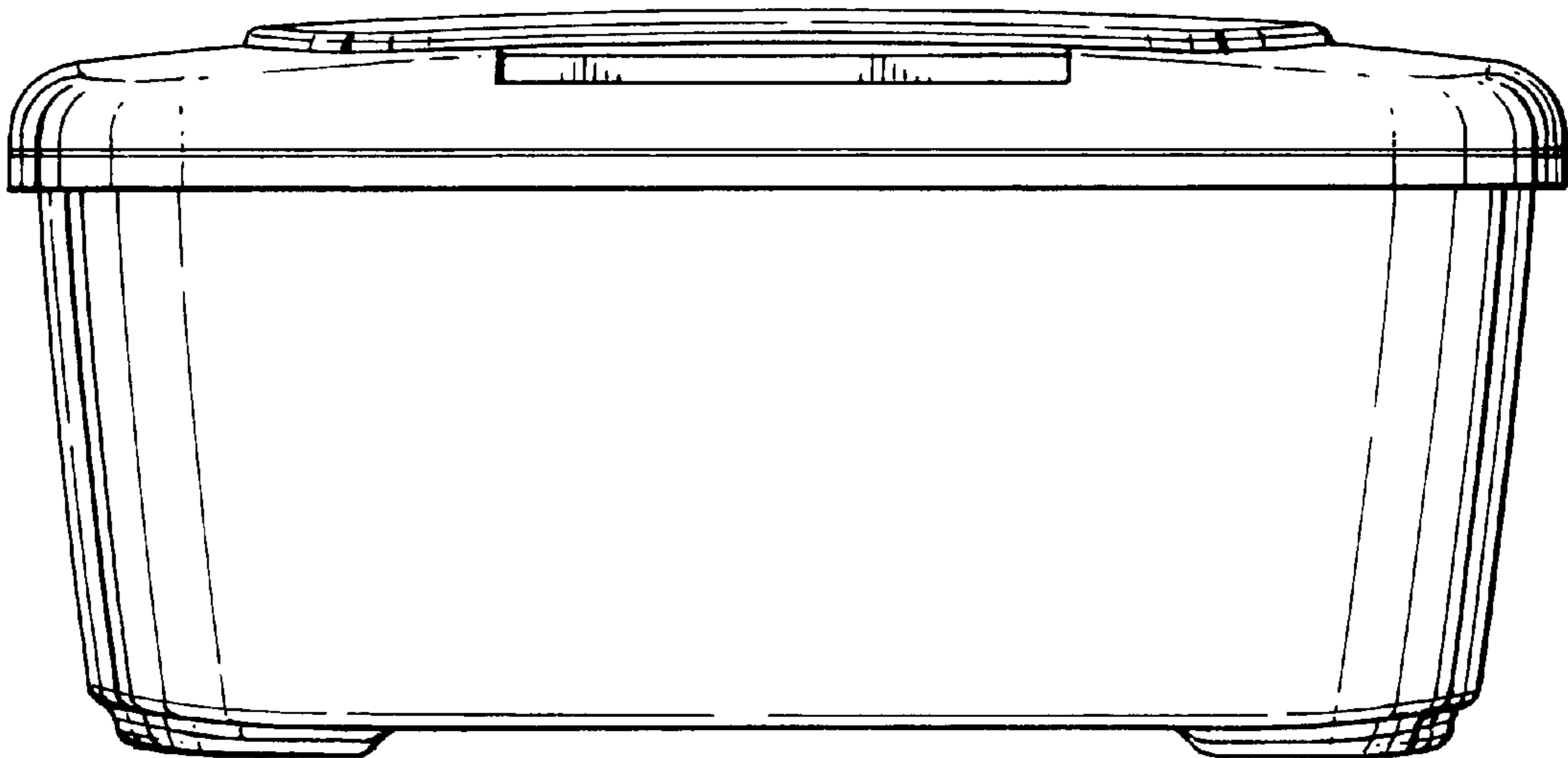


Fig.4.

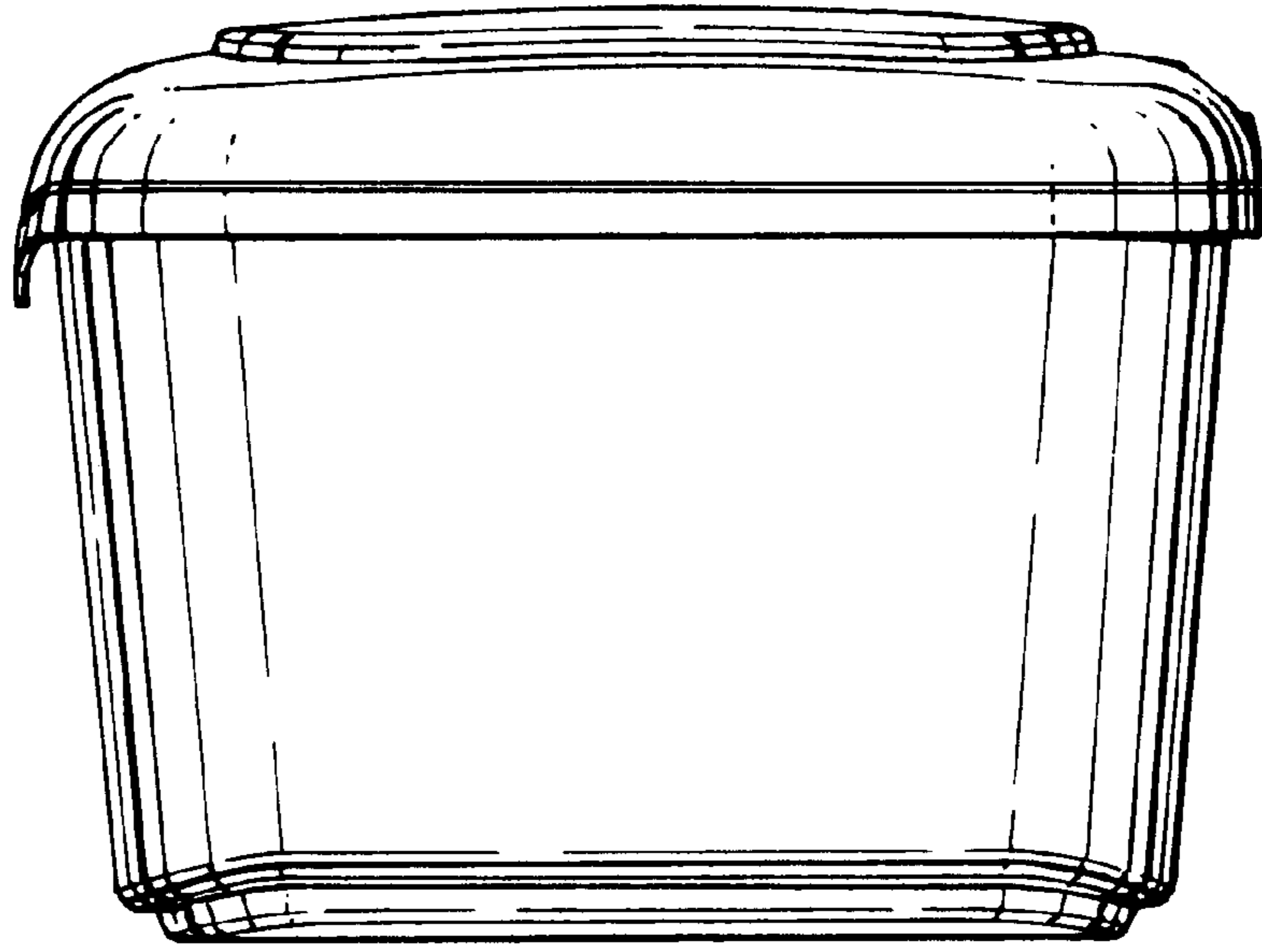


Fig.5.

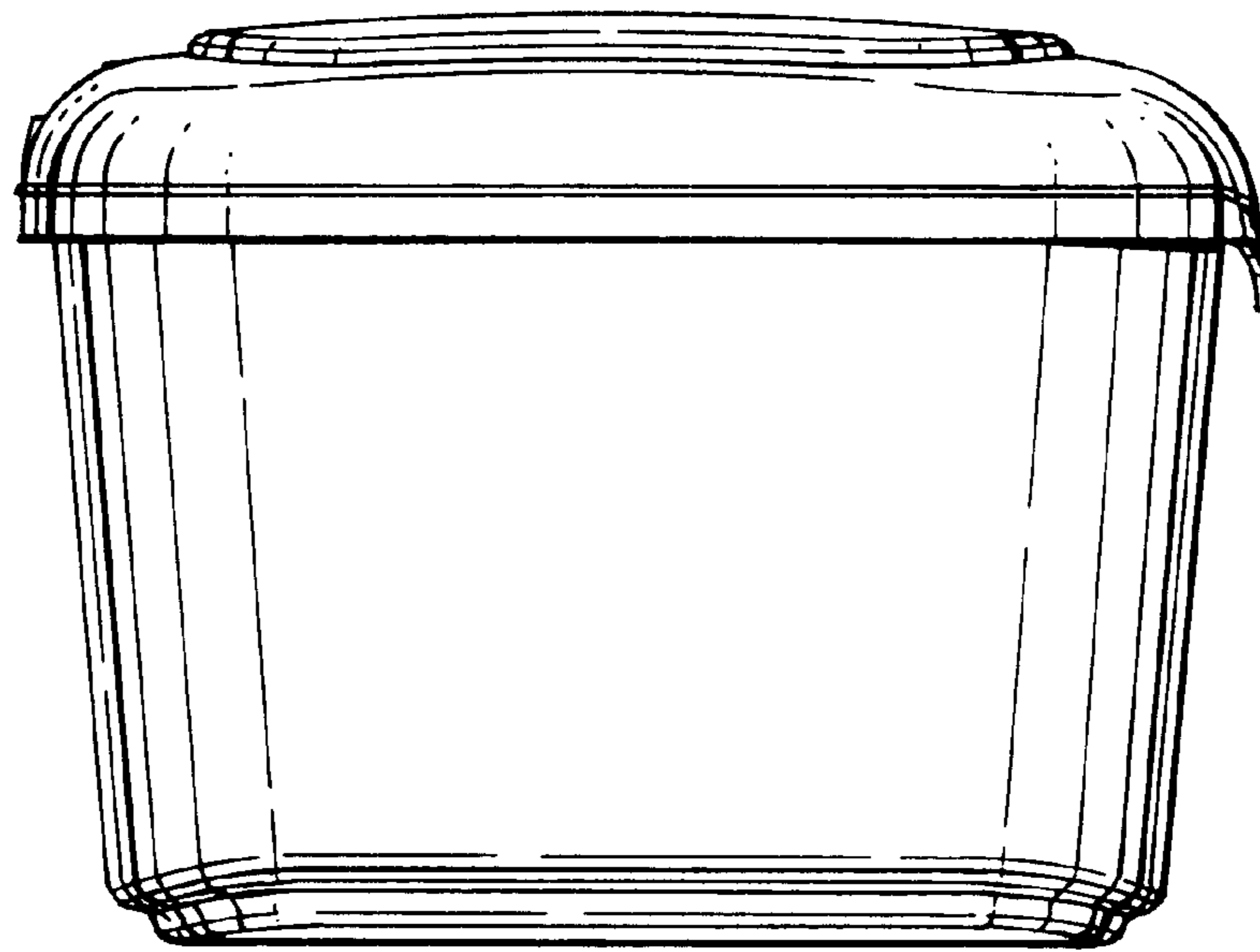


Fig.6.

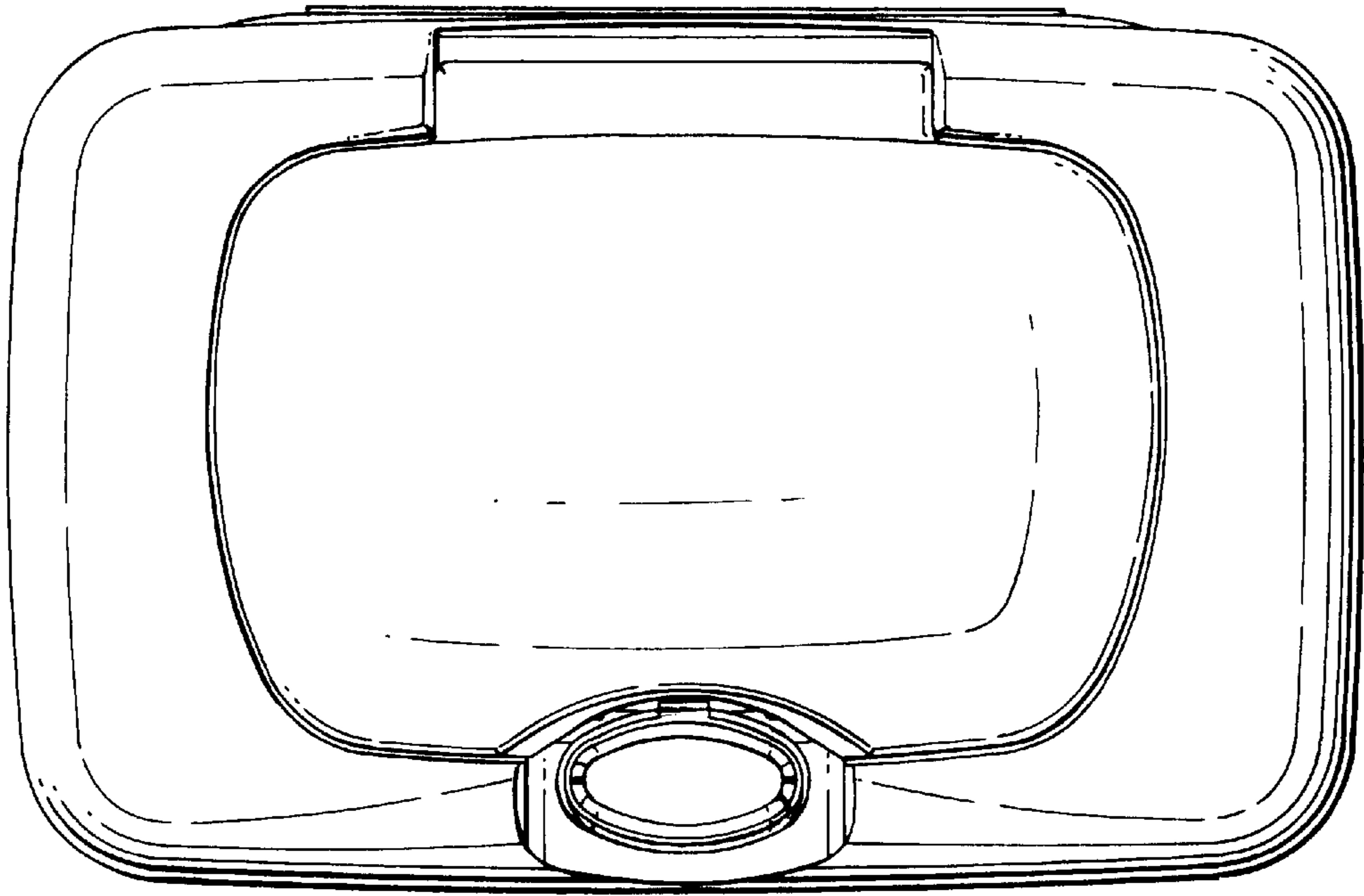


Fig.7.

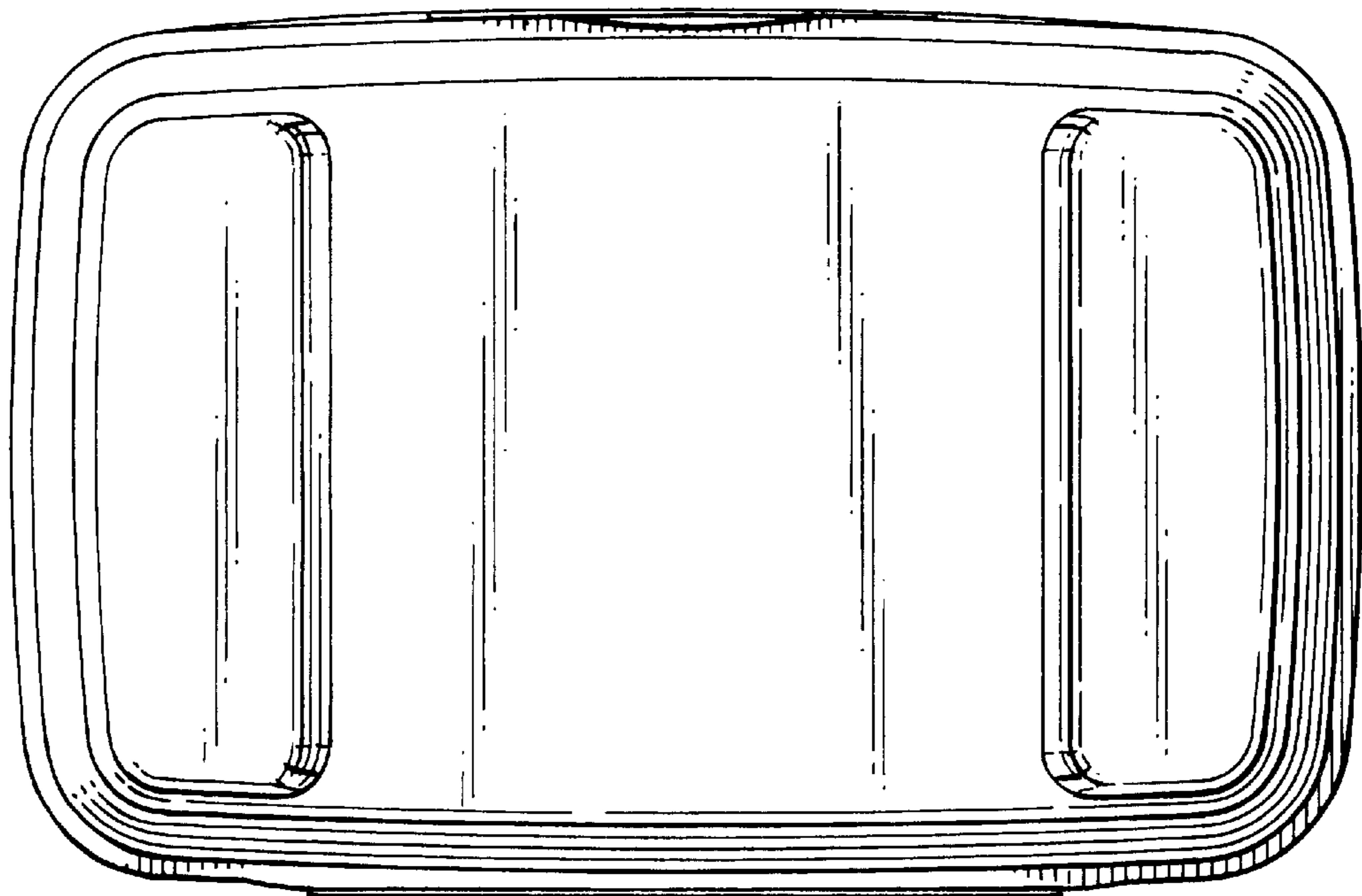


Fig.8.