



US00D485456S

(12) **United States Design Patent**  
**Hunt**

(10) **Patent No.:** **US D485,456 S**

(45) **Date of Patent:** **\*\* Jan. 20, 2004**

(54) **ARMREST**  
(75) Inventor: **Jill M. Hunt**, Harvard, IL (US)  
(73) Assignee: **Moen Incorporated**, North Olmsted, OH (US)  
(\*\*) Term: **14 Years**

D439,083 S \* 3/2001 Tseng ..... D6/501  
D446,033 S 8/2001 Koepke et al.  
D451,319 S \* 12/2001 Chi ..... D6/501  
D453,430 S \* 2/2002 Lee ..... D5/501  
D458,479 S \* 6/2002 Hsieh ..... D6/501  
D459,921 S \* 7/2002 Chu ..... D6/501  
D462,549 S \* 9/2002 Chu ..... D6/501  
D476,513 S \* 7/2003 Lee ..... D6/501  
D477,729 S \* 7/2003 Chen ..... D6/501

(21) Appl. No.: **29/172,352**  
(22) Filed: **Dec. 10, 2002**  
(51) **LOC (7) Cl.** ..... **06-06**  
(52) **U.S. Cl.** ..... **D6/501**  
(58) **Field of Search** ..... D6/334, 335, 364,  
D6/365, 366, 367, 368, 374, 375, 379,  
500, 501, 502; 297/411.2, 411.27, 463.1

\* cited by examiner

*Primary Examiner*—Doris V. Coles  
*Assistant Examiner*—T. Chase Nelson  
(74) *Attorney, Agent, or Firm*—Cook, Alex, McFarron,  
Manzo, Cummings & Mehler, Ltd.

(56) **References Cited**

(57) **CLAIM**

The ornamental design for an armrest, as shown and described.

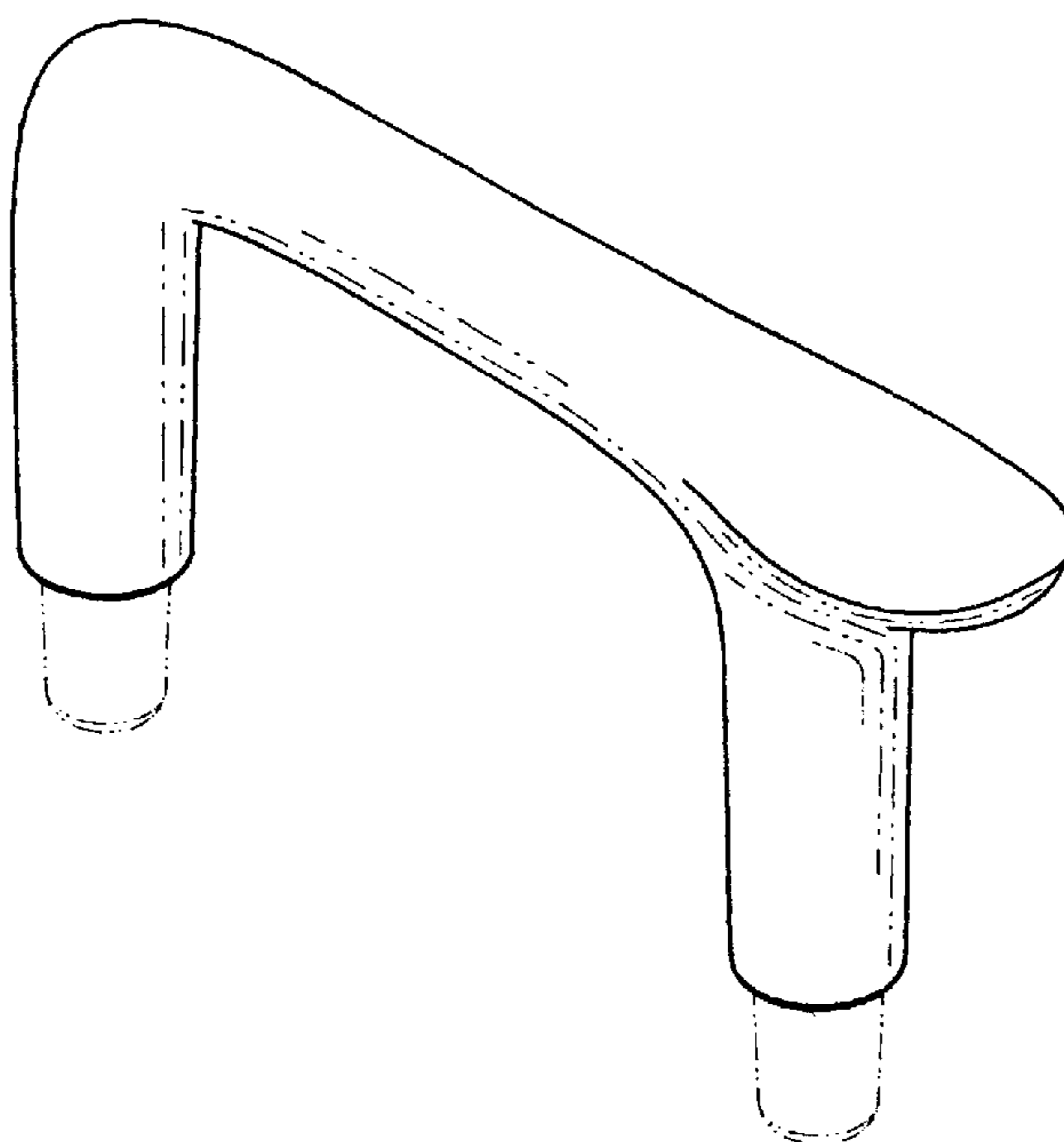
**U.S. PATENT DOCUMENTS**

**DESCRIPTION**

1,487,264 A 3/1924 Raymer  
D198,201 S 5/1964 Clayton  
3,727,981 A 4/1973 Ostroff et al.  
D279,841 S 7/1985 Edmondson et al.  
D302,495 S 8/1989 Hashihara  
D355,308 S 2/1995 Marini  
D378,327 S 3/1997 Beaulieu  
D382,738 S \* 8/1997 Chen ..... D6/501  
5,746,479 A 5/1998 Bodnar  
D403,185 S \* 12/1998 Tseng ..... D6/501  
D408,165 S 4/1999 Kemnitzer  
D417,106 S \* 11/1999 Lee ..... D6/366  
D424,847 S \* 5/2000 Lin ..... D6/501  
D425,720 S 5/2000 Smith  
D438,394 S 3/2001 Tseng  
D438,732 S \* 3/2001 Goodworth ..... D6/501

FIG. 1 is a perspective view of our new design for an armrest.  
FIG. 2 is a top plan view.  
FIG. 3 is a bottom plan view.  
FIG. 4 is a right side elevation view.  
FIG. 5 is a rear elevation view.  
FIG. 6 is a left side elevation view; and,  
FIG. 7 is a front elevation view.  
Portions of the structure shown in broken lines illustrate the environment of the invention and are not part of the claimed invention. The Armrest can be removably attached to a toilet seat or a shower chair or a transfer bench.

**1 Claim, 2 Drawing Sheets**



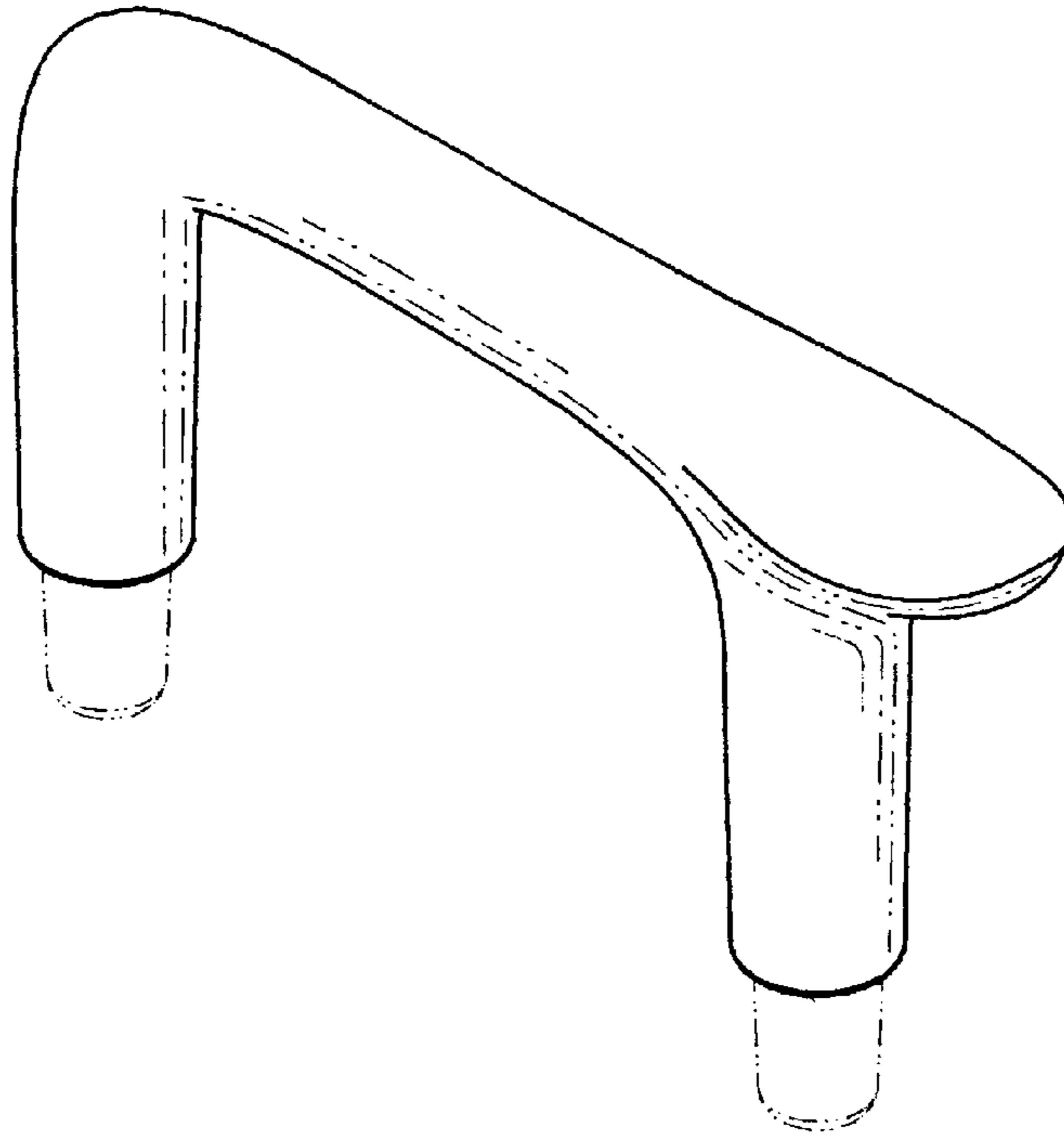


FIG. 1

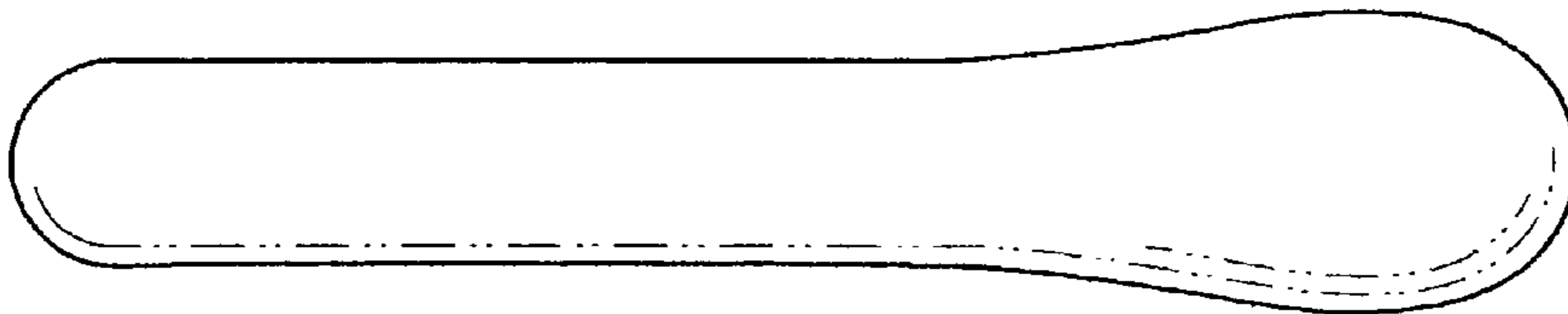


FIG. 2

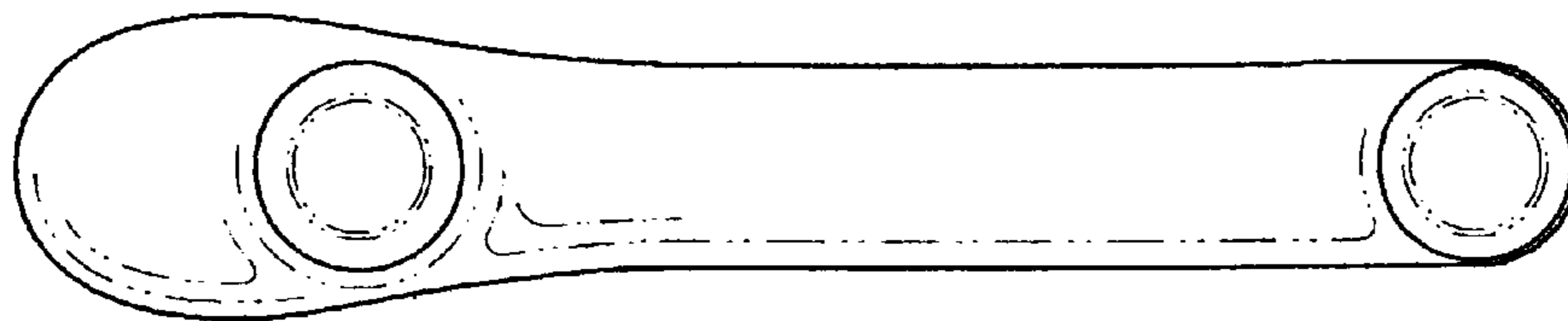


FIG. 3

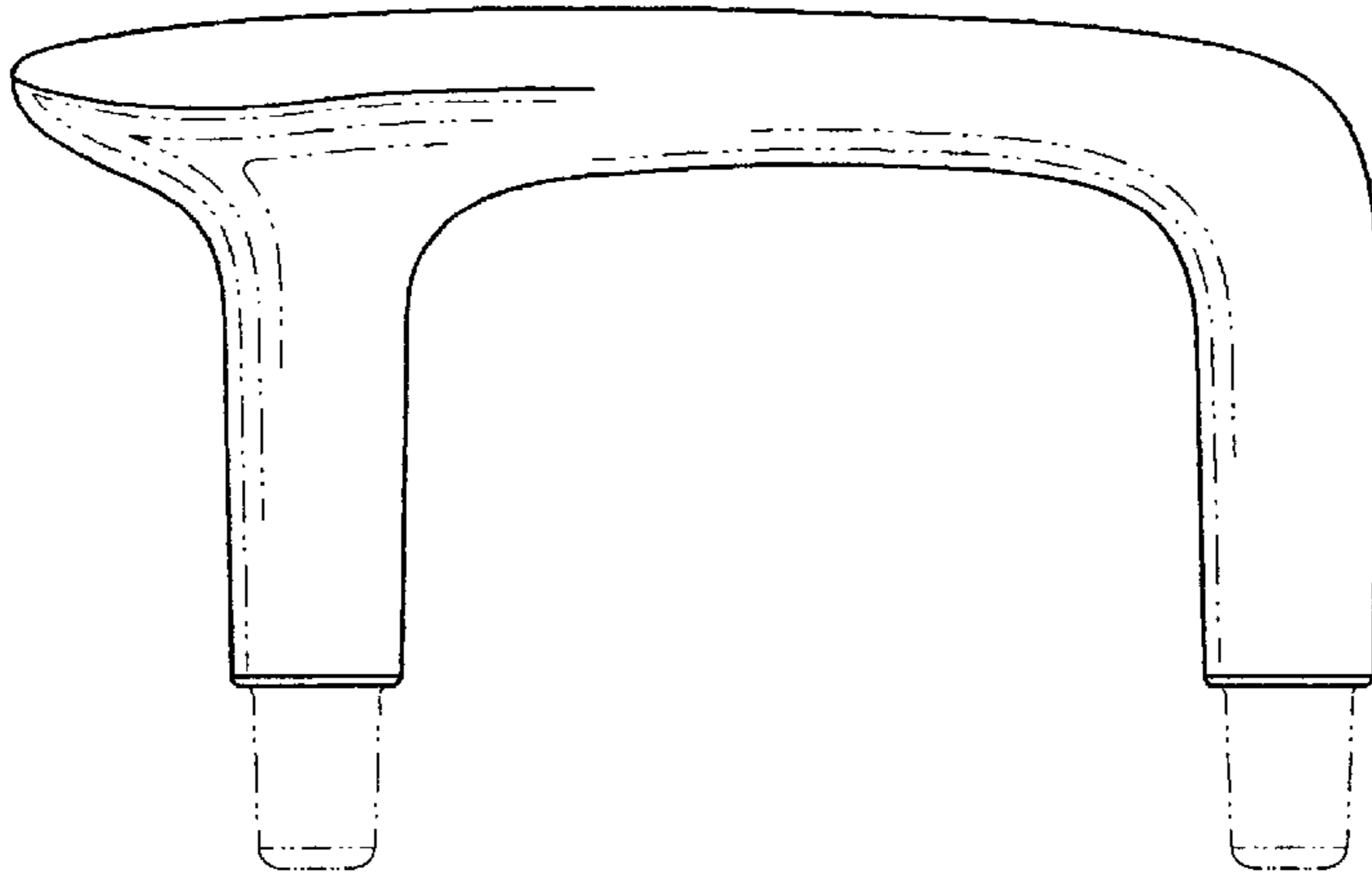


FIG. 4

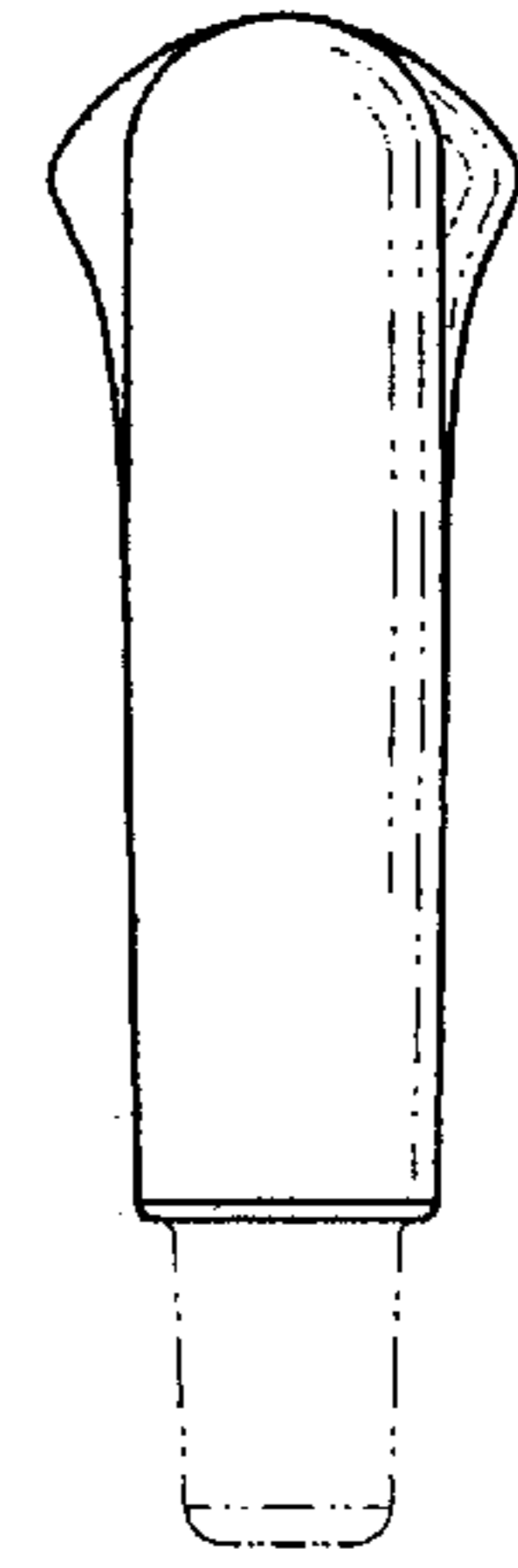


FIG. 5

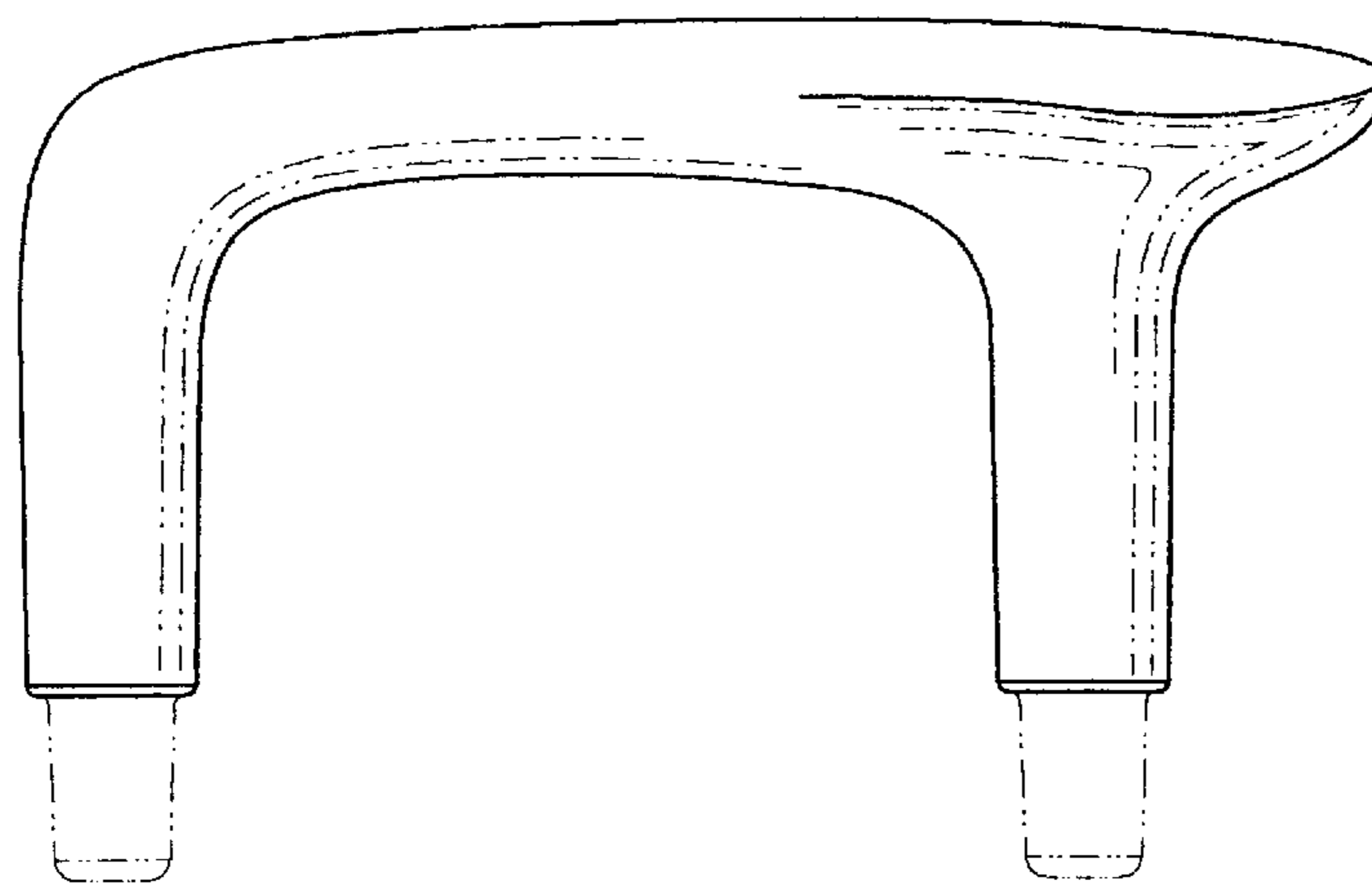


FIG. 6

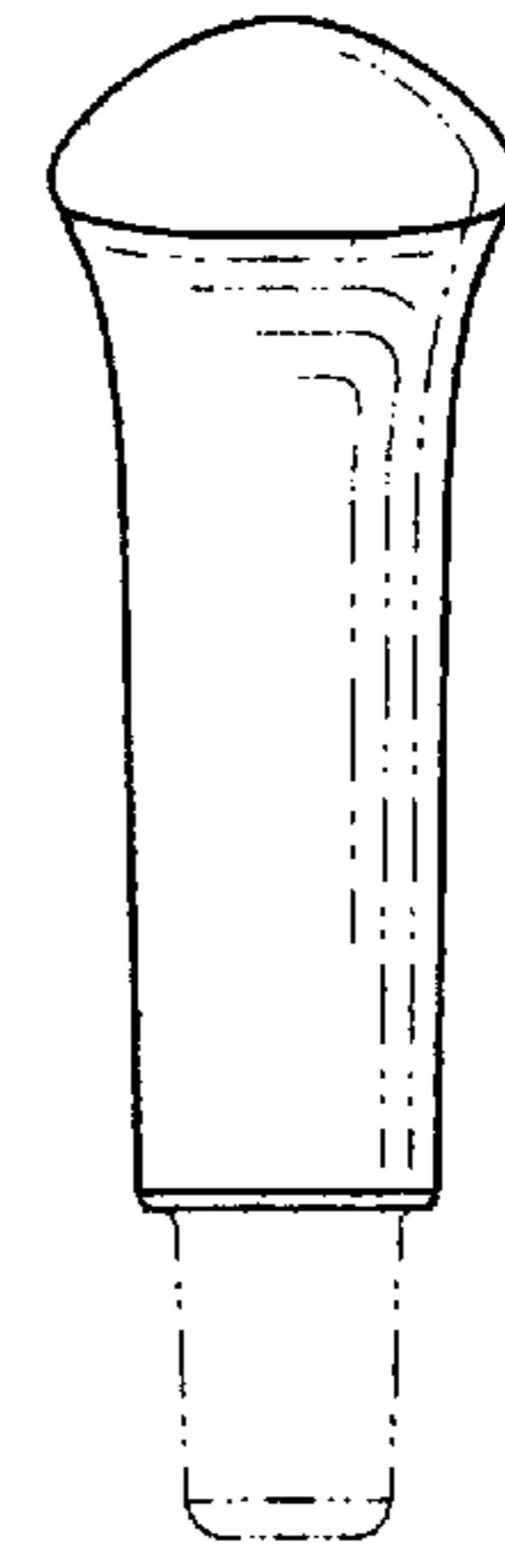


FIG. 7